



US00D937239S

(12) **United States Design Patent**
Zhang et al.

(10) **Patent No.:** **US D937,239 S**

(45) **Date of Patent:** **** Nov. 30, 2021**

(54) **AUDIO TRANSMITTER**

(56) **References Cited**

(71) Applicant: **UGREEN GROUP LIMITED**,
Shenzhen (CN)

U.S. PATENT DOCUMENTS

(72) Inventors: **Qingsen Zhang**, Shenzhen (CN);
Junling Chen, Shenzhen (CN); **Jiixin Lv**, Shenzhen (CN)

D570,830 S *	6/2008	Sukeguchi	D14/155
D722,584 S *	2/2015	Chen	D14/155
D832,232 S *	10/2018	Czaniecki	D14/205
D864,092 S *	10/2019	Zhang	D12/415
D873,233 S *	1/2020	Du	D14/155
D881,832 S *	4/2020	Zhang	D14/155
D898,031 S *	10/2020	Zhang	D14/433
D902,170 S *	11/2020	Jia	D14/155
D912,005 S *	3/2021	Zhang	D14/155
D918,167 S *	5/2021	Wang	D14/155

(**) Term: **15 Years**

* cited by examiner

(21) Appl. No.: **29/707,584**

(22) Filed: **Sep. 30, 2019**

Primary Examiner — Austin Murphy

(51) **LOC (13) Cl.** **14-03**

(52) **U.S. Cl.**
USPC **D14/155**

(57) **CLAIM**

The ornamental design for an audio transmitter, as shown and described.

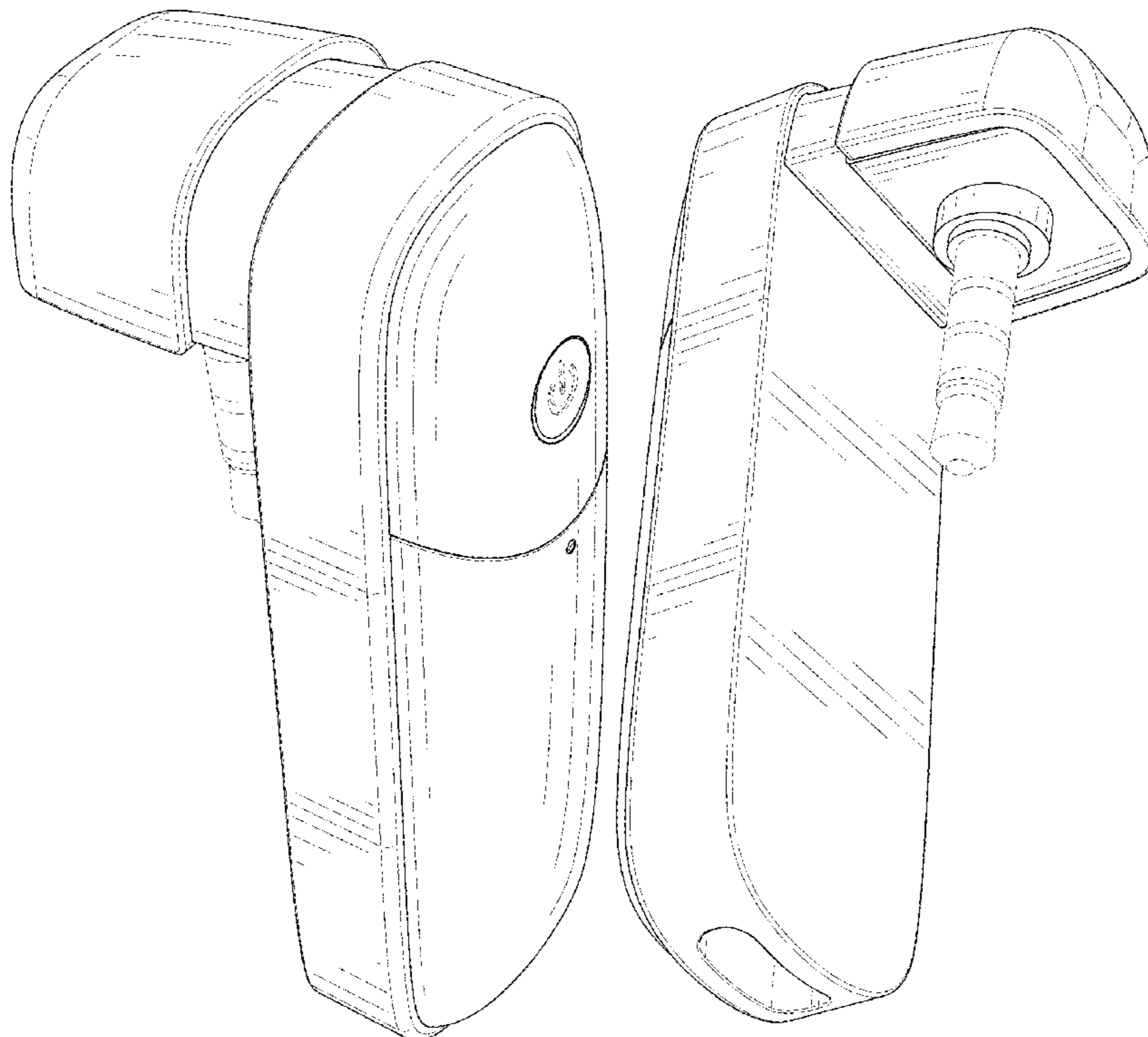
(58) **Field of Classification Search**
USPC D14/125, 129, 130, 137, 140, 142, 155,
D14/168, 172, 188, 195, 203.1, 203.6,
D14/203.8, 204, 209, 209.1, 216, 230,
D14/231, 233, 235, 236, 237, 240, 242,
D14/299, 300, 302, 348, 351, 356, 357,
D14/358, 361, 362, 365, 367, 370, 388,
D14/432, 434, 496; D13/103, 107, 108,
D13/123, 152, 158, 162, 162.1, 163, 168,
D13/184, 199; D10/104.1, 106.2, 106.3,
D10/106.5, 106.6
CPC ... H04W 88/08; H04W 88/085; H04W 88/00;
H04W 88/005; H04W 88/02; H04W
88/12; H04W 88/14; H04W 88/16; H04W
88/18; H04W 4/00; H04B 1/38

DESCRIPTION

FIG. 1 is a front and top perspective view of an audio transmitter, showing our new design;
FIG. 2 is a rear and bottom perspective view thereof;
FIG. 3 is a front elevational view thereof;
FIG. 4 is a rear elevational view thereof;
FIG. 5 is a left side elevational view thereof;
FIG. 6 is a right side elevational view thereof;
FIG. 7 is a top plan view thereof; and,
FIG. 8 is a bottom plan view thereof.
The broken lines in the figures illustrate portions of the audio transmitter that form no part of the claimed design.

See application file for complete search history.

1 Claim, 8 Drawing Sheets



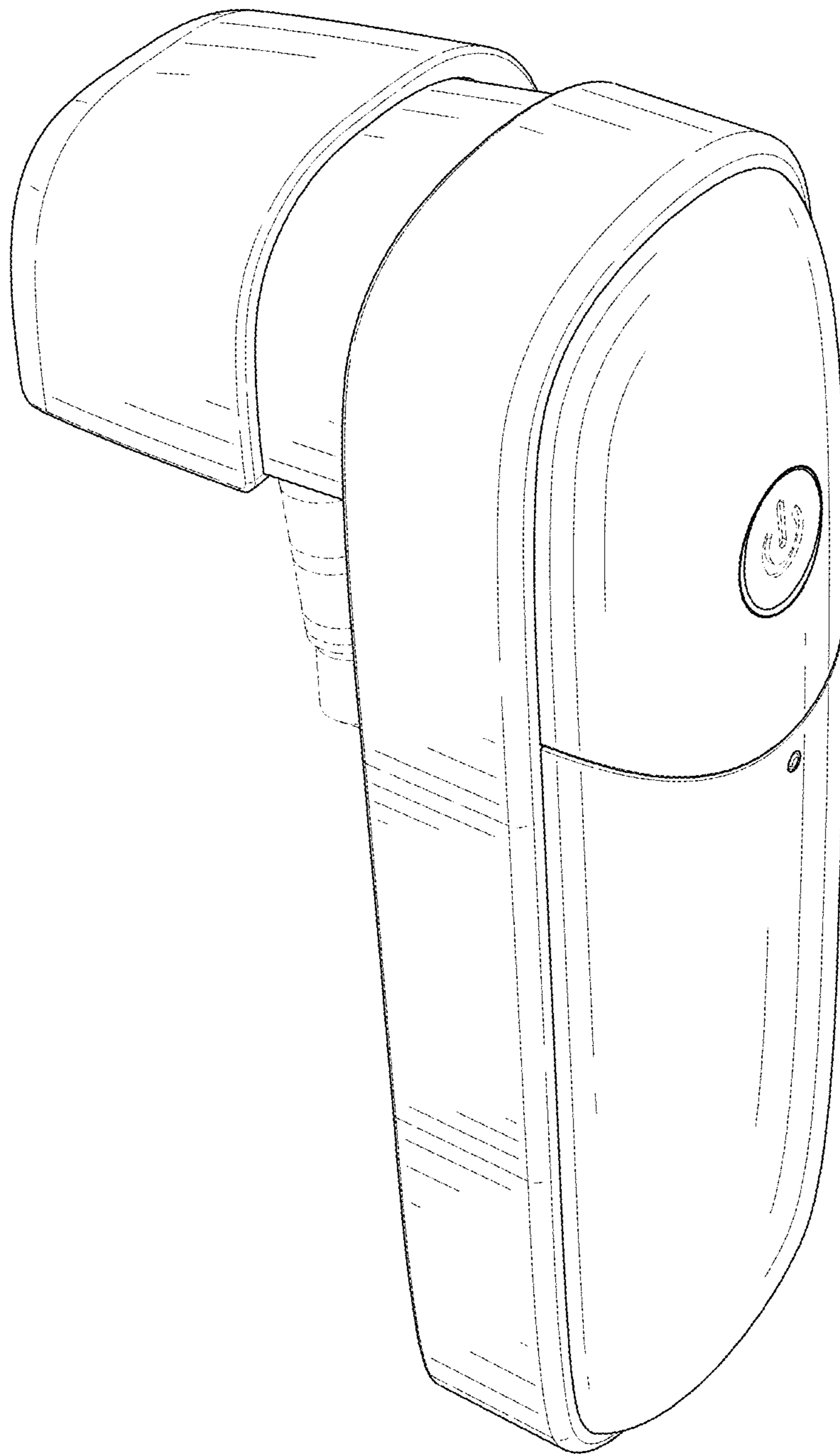


FIG. 1

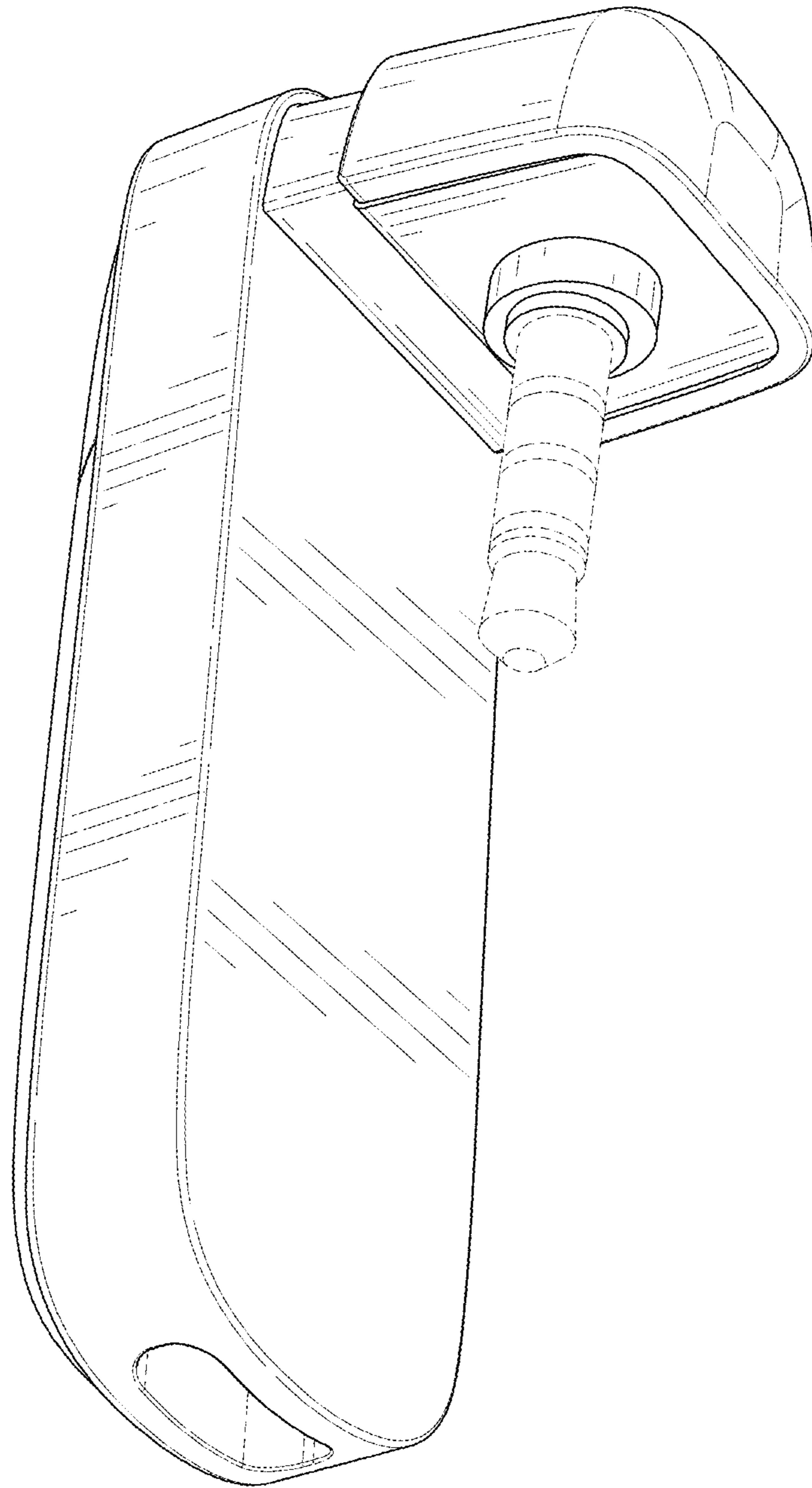


FIG. 2

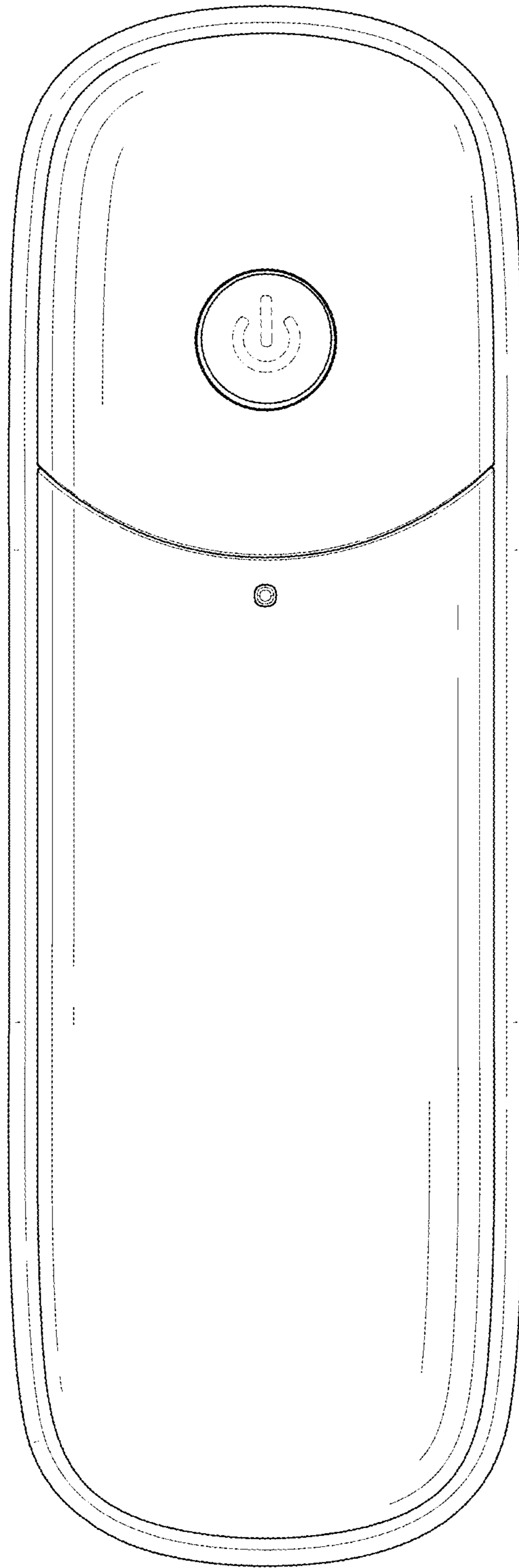


FIG. 3

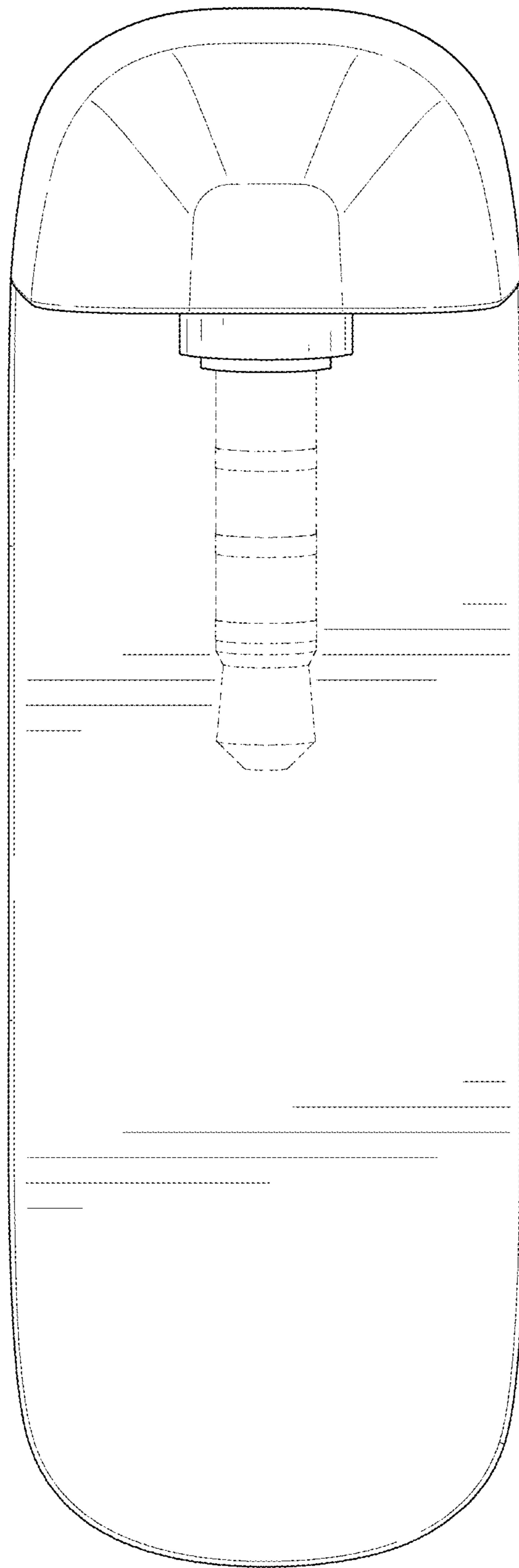


FIG. 4

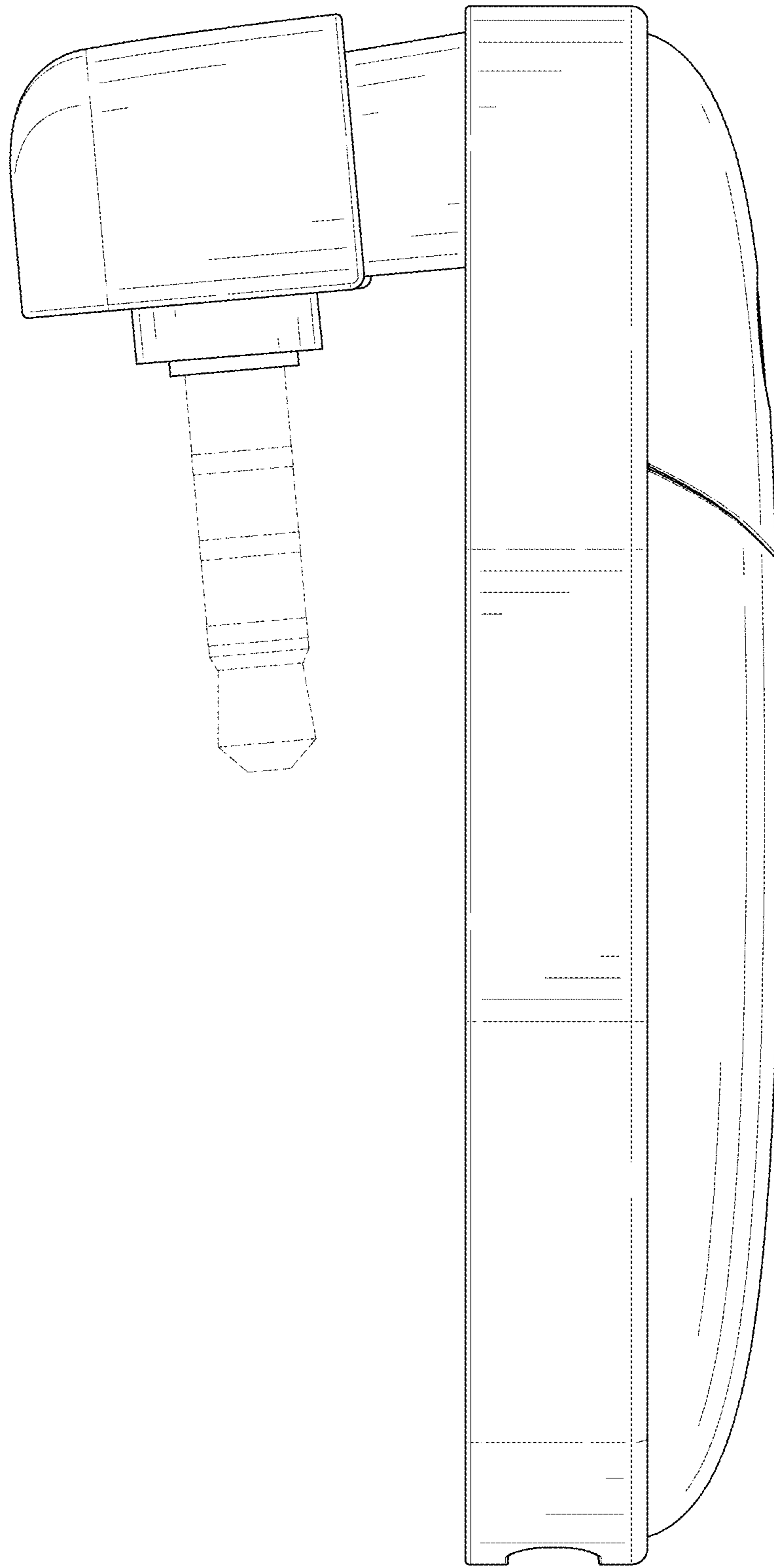


FIG. 5

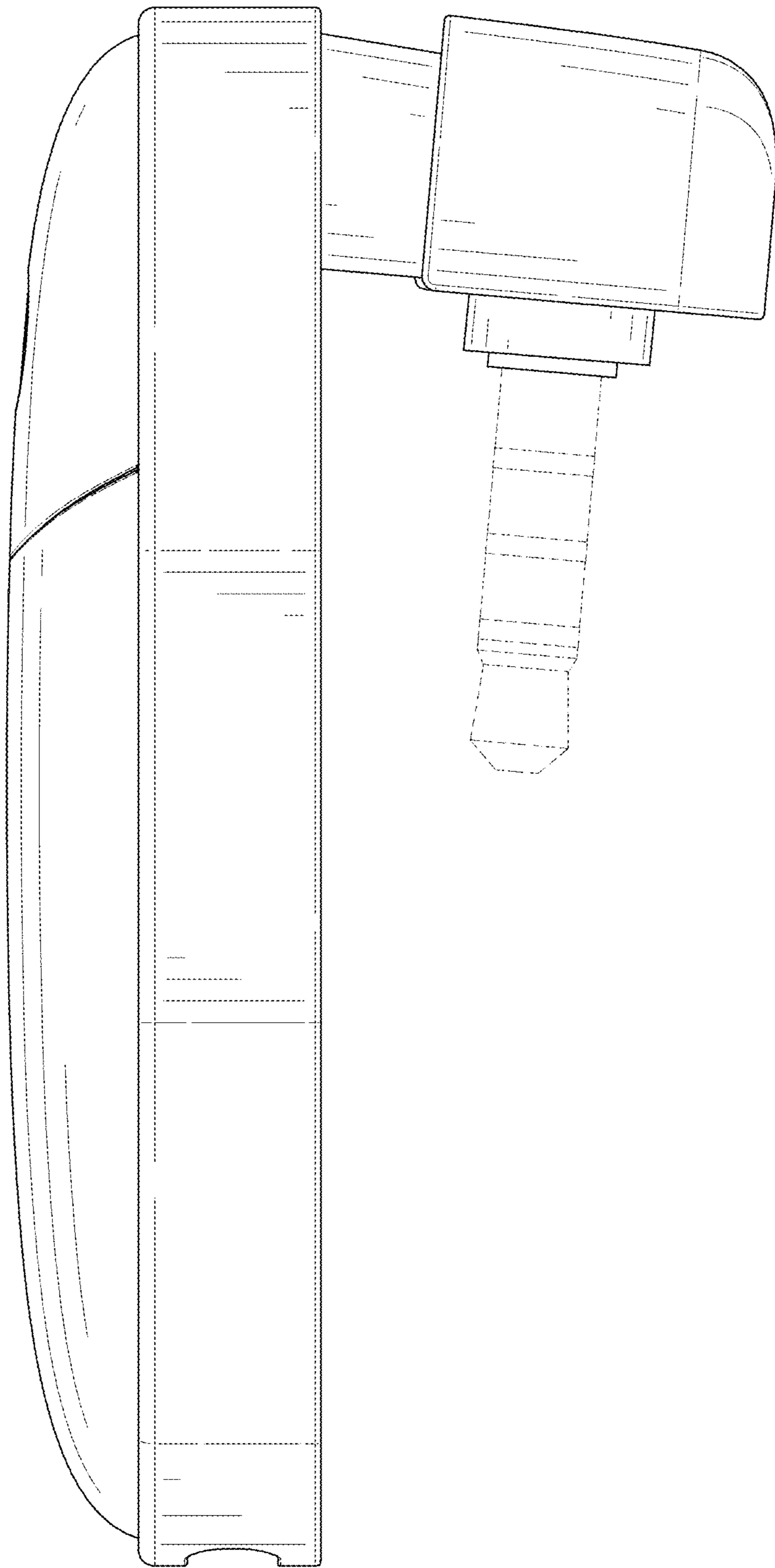


FIG. 6

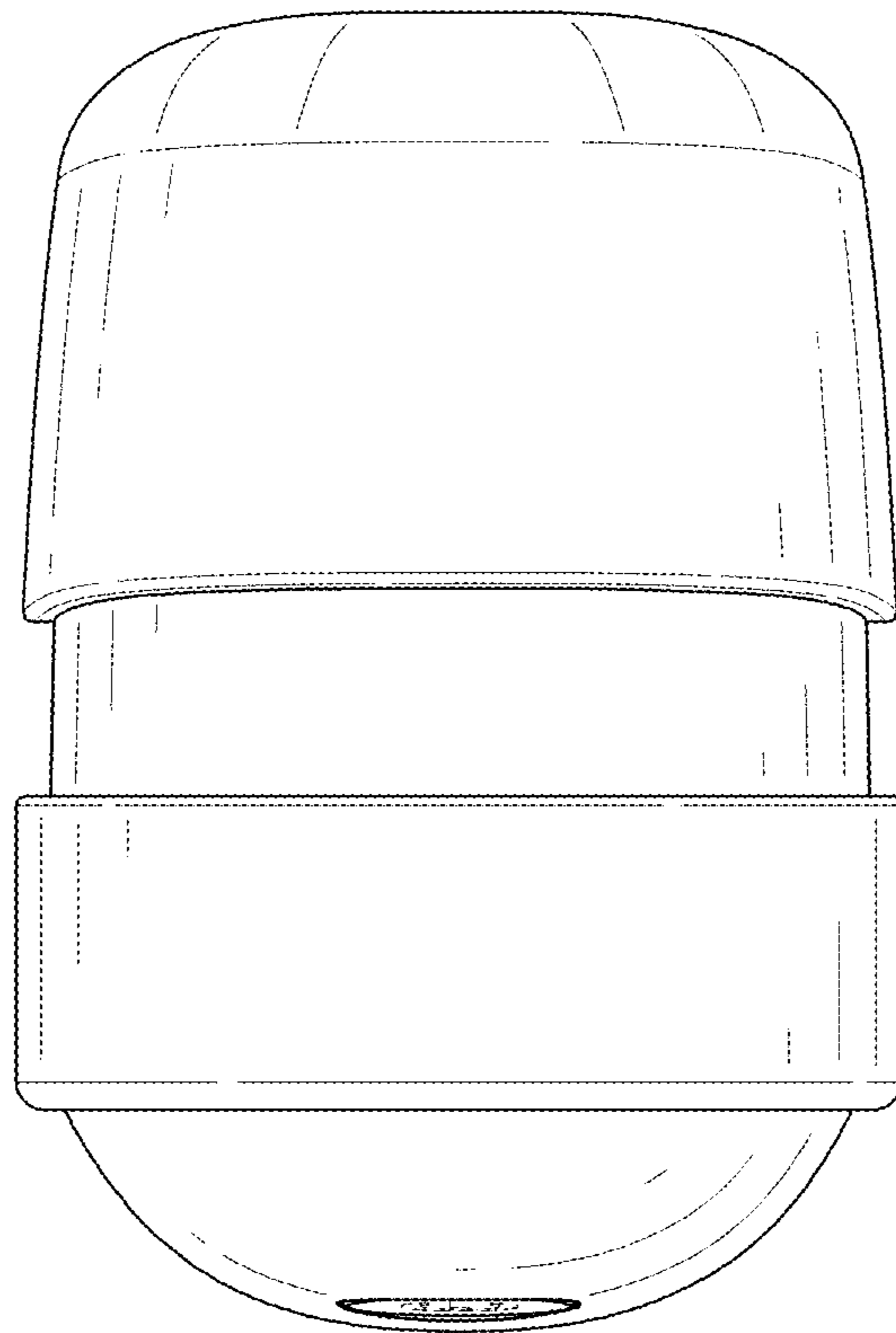


FIG. 7

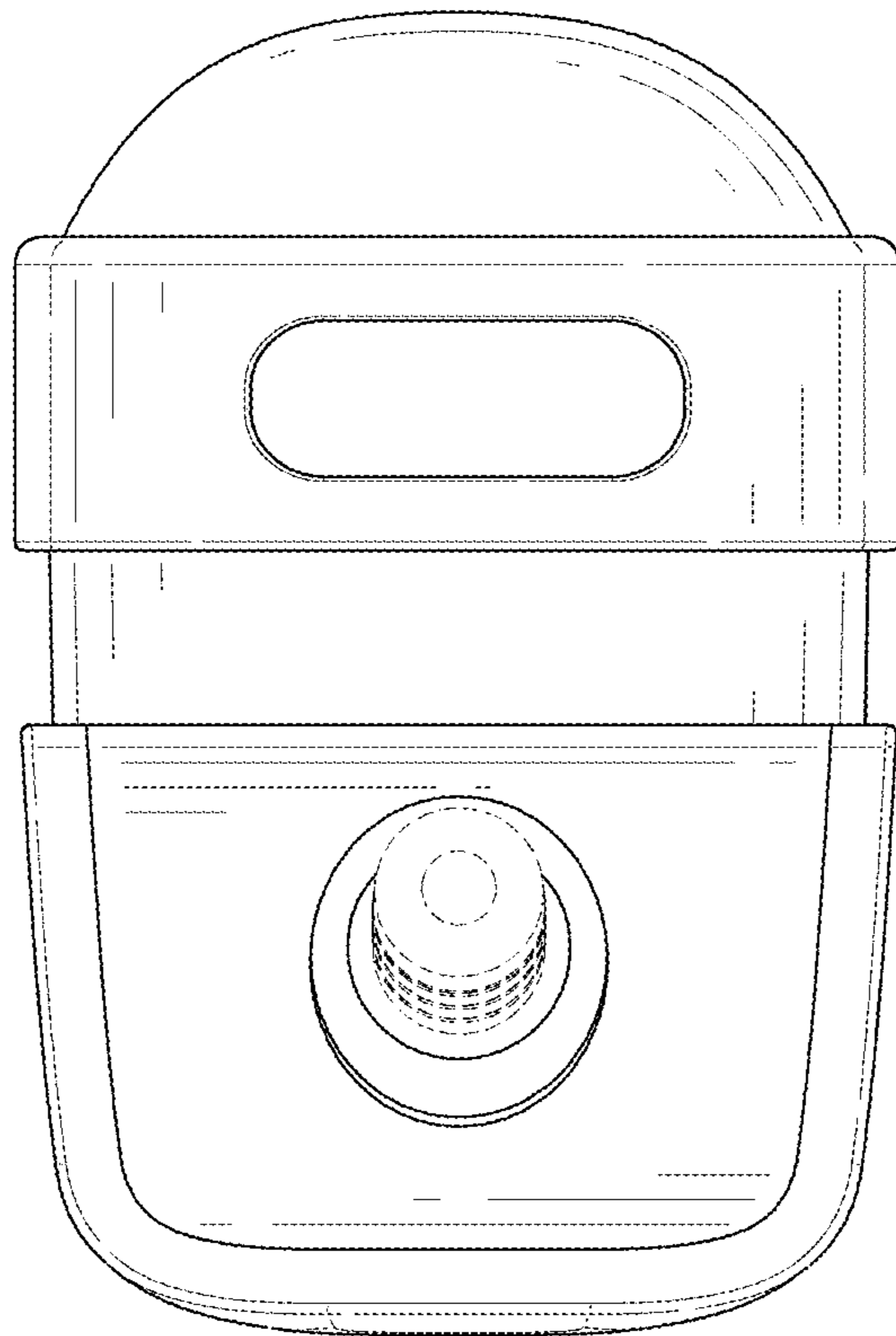


FIG. 8