



US00D937238S

(12) **United States Design Patent**  
**Ding et al.**

(10) **Patent No.:** **US D937,238 S**

(45) **Date of Patent:** **\*\* Nov. 30, 2021**

(54) **SPEAKERPHONE**

(71) Applicant: **SHENZHEN INNOTRIK TECHNOLOGY CO., LTD.**, Shenzhen (CN)

(72) Inventors: **Fan Ding**, Shenzhen (CN); **Chao Huang**, Shenzhen (CN); **Wei Li**, Shenzhen (CN)

(73) Assignee: **SHENZHEN INNOTRIK TECHNOLOGY CO., LTD.**, Shenzhen (CN)

(\*\*) Term: **15 Years**

(21) Appl. No.: **29/751,929**

(22) Filed: **Sep. 24, 2020**

(30) **Foreign Application Priority Data**

Aug. 5, 2020 (CN) ..... 202030440546.5

(51) **LOC (13) Cl.** ..... **14-03**

(52) **U.S. Cl.**  
USPC ..... **D14/149**

(58) **Field of Classification Search**

USPC ..... D14/140, 140.1, 141.1, 142, 144, 147, D14/149, 150, 155, 168, 172, 204, 206, D14/209.1, 212, 213, 215, 216, 248, 249, D14/299, 496, 226, 356, 358, 432, 454, D14/192, 221, 127-130, 211; D10/104.1, D10/106.1, 106.3, 106.5; D24/185, 186  
CPC ..... H04M 1/00; H04M 1/026; H04M 1/04; H04M 1/6033; H04M 1/6041; H04M 1/62; H04M 3/02; H04M 3/005; H04M 3/56; H04M 3/564; H04M 3/568; H04M 9/08; H04R 1/00; H04R 1/02; H04R 1/403; H04R 1/406; H04R 27/00

See application file for complete search history.

(56) **References Cited**

U.S. PATENT DOCUMENTS

D315,562 S \* 3/1991 Brown ..... D14/213  
6,016,346 A \* 1/2000 Rittmueller ..... H04M 1/6033  
379/420.02

D444,777 S \* 7/2001 Bird ..... D14/150  
D474,169 S \* 5/2003 Fletcher ..... D14/159  
D495,676 S \* 9/2004 Slevin ..... D14/150  
D501,848 S \* 2/2005 Uehara ..... D14/240  
D536,327 S \* 2/2007 Lukic ..... D14/150  
D537,072 S \* 2/2007 Kim ..... D14/215  
D560,209 S \* 1/2008 Kim ..... D14/215

(Continued)

FOREIGN PATENT DOCUMENTS

CN 304380812 \* 12/2017

OTHER PUBLICATIONS

Dell Mobile Adapter Speakerphone—MH3021P. (online) 8 pgs. Available at least as early as Jul. 2020 [retrieved Jul. 27, 2021] [https://www.dell.com/en-us/work/shop/dell-mobile-adapter-speakerphone-mh3021p/apd/470-aely/pc-accessories?gacd=9646510-1025-5761040-266794296-0&dgc=st&ds\\_rl=1282786&gclid=EAlaQobChMI7ZDk\\_qqE8glVunRvBB2qewToEAYYAABEgJH2vD\\_BwE&gclsrc=aw.ds&nclid=HbvAL1p0Os0X8ltWRePGviqUI1YvKncsbG86X2otyKtzq7hr7dKCp5HL7AEHNbc6t.\\*](https://www.dell.com/en-us/work/shop/dell-mobile-adapter-speakerphone-mh3021p/apd/470-aely/pc-accessories?gacd=9646510-1025-5761040-266794296-0&dgc=st&ds_rl=1282786&gclid=EAlaQobChMI7ZDk_qqE8glVunRvBB2qewToEAYYAABEgJH2vD_BwE&gclsrc=aw.ds&nclid=HbvAL1p0Os0X8ltWRePGviqUI1YvKncsbG86X2otyKtzq7hr7dKCp5HL7AEHNbc6t.*)

Primary Examiner — Marie D. Fast Horse

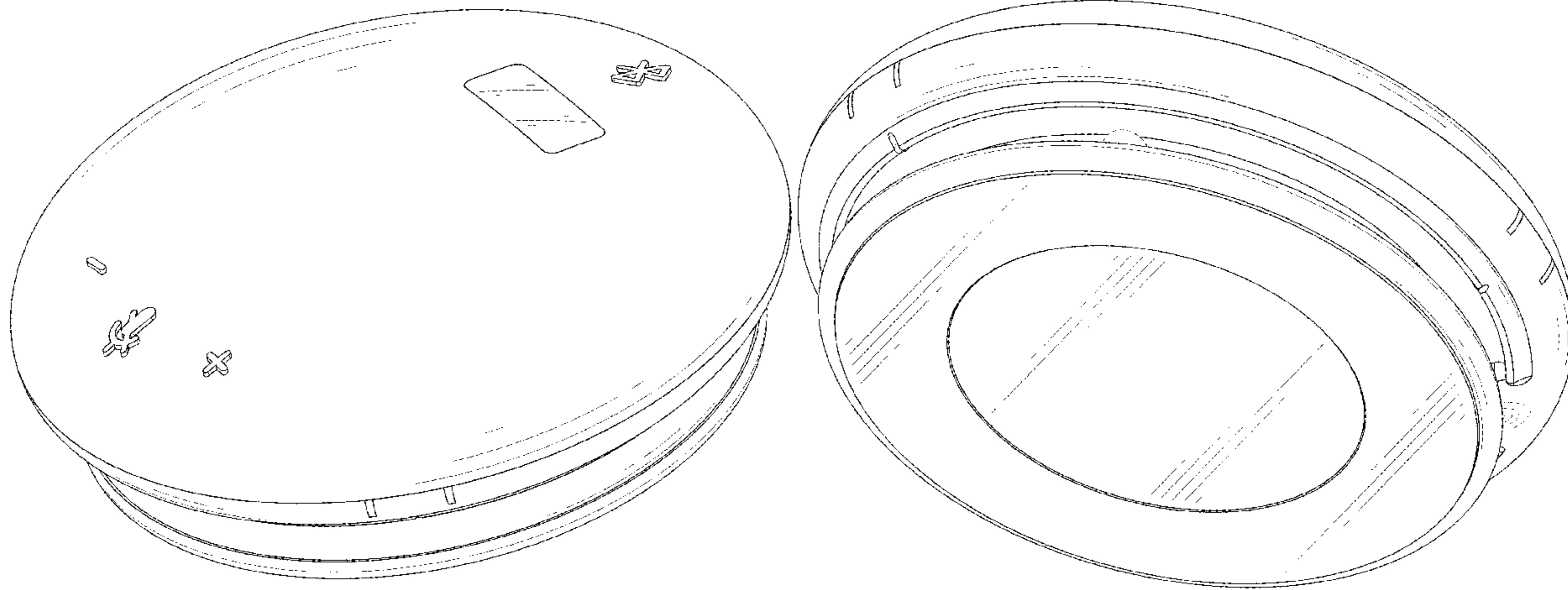
(57) **CLAIM**

The ornamental design for a speakerphone, as shown and described.

**DESCRIPTION**

FIG. 1 is a perspective view of a speakerphone showing my new design;  
FIG. 2 is another perspective view thereof;  
FIG. 3 is a front elevational view thereof;  
FIG. 4 is a rear elevational view thereof;  
FIG. 5 is a left side elevational view thereof;  
FIG. 6 is a right side elevational view thereof;  
FIG. 7 is a top plan view thereof; and,  
FIG. 8 is a bottom plan view thereof.  
The broken lines in the drawings depict portions of the speakerphone that form no part of the claimed design.

**1 Claim, 8 Drawing Sheets**



(56)

References Cited

U.S. PATENT DOCUMENTS

D591,269 S *	4/2009	Kim	.....	D14/216	D856,961 S *	8/2019	Suzuki	.....	D14/149
D598,003 S *	8/2009	Park	.....	D14/149	D859,350 S *	9/2019	Pedersen	.....	D14/149
D606,517 S *	12/2009	Nousiainen	.....	D14/216	D859,363 S *	9/2019	Chalabi	.....	D14/216
D677,646 S *	3/2013	Kellar	.....	D14/149	D859,364 S *	9/2019	Chalabi	.....	D14/216
D682,805 S *	5/2013	Rath	.....	D14/149	D862,417 S *	10/2019	Chalabi	.....	D14/216
D711,345 S *	8/2014	Liu	.....	D14/140	D866,518 S *	11/2019	Ding	.....	D14/216
D728,507 S *	5/2015	Brandis	.....	D14/149	D878,325 S *	3/2020	Paterson	.....	D14/203.1
D731,996 S *	6/2015	Border	.....	D14/150	D879,737 S *	3/2020	Suzuki	.....	D14/149
D752,014 S *	3/2016	Bolmstrand	.....	D14/204	D886,759 S *	6/2020	Bailey	.....	D14/149
D756,955 S *	5/2016	Wagner	.....	D14/203.6	D888,687 S *	6/2020	Xu	.....	D14/216
D771,512 S *	11/2016	Kalyan	.....	D10/106.5	D901,427 S *	11/2020	Zhang	.....	D14/149
D784,963 S *	4/2017	Saule	.....	D14/228	D901,431 S *	11/2020	Paterson	.....	D14/203.1
9,793,869 B1 *	10/2017	Snyder	.....	H03G 3/04	D920,276 S *	5/2021	Law	.....	D14/149
D811,361 S *	2/2018	Peng	.....	D14/149	D920,948 S *	6/2021	Tak	.....	D14/204
D814,436 S *	4/2018	Wen	.....	D14/150	D924,196 S *	7/2021	Wang	.....	D14/149
D828,330 S *	9/2018	Nylen	.....	D14/216	2015/0339896 A1 *	11/2015	Stagg	.....	G08B 17/10 340/521
D845,924 S *	4/2019	Pedersen	.....	D14/149	2019/0028590 A1 *	1/2019	Grossen	.....	H01M 50/20
					2019/0089839 A1 *	3/2019	Ukai	.....	H04M 9/082

\* cited by examiner

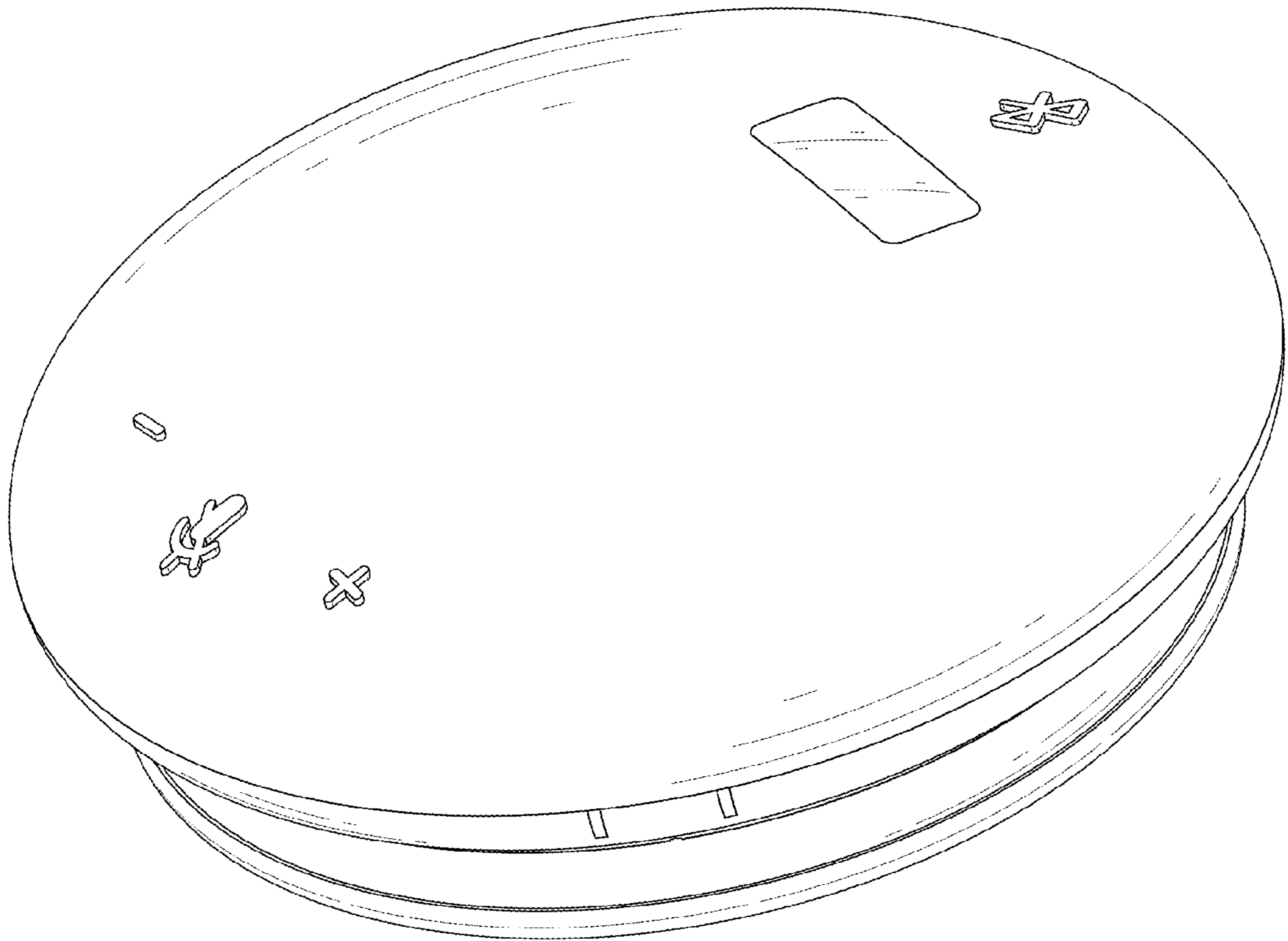


FIG. 1

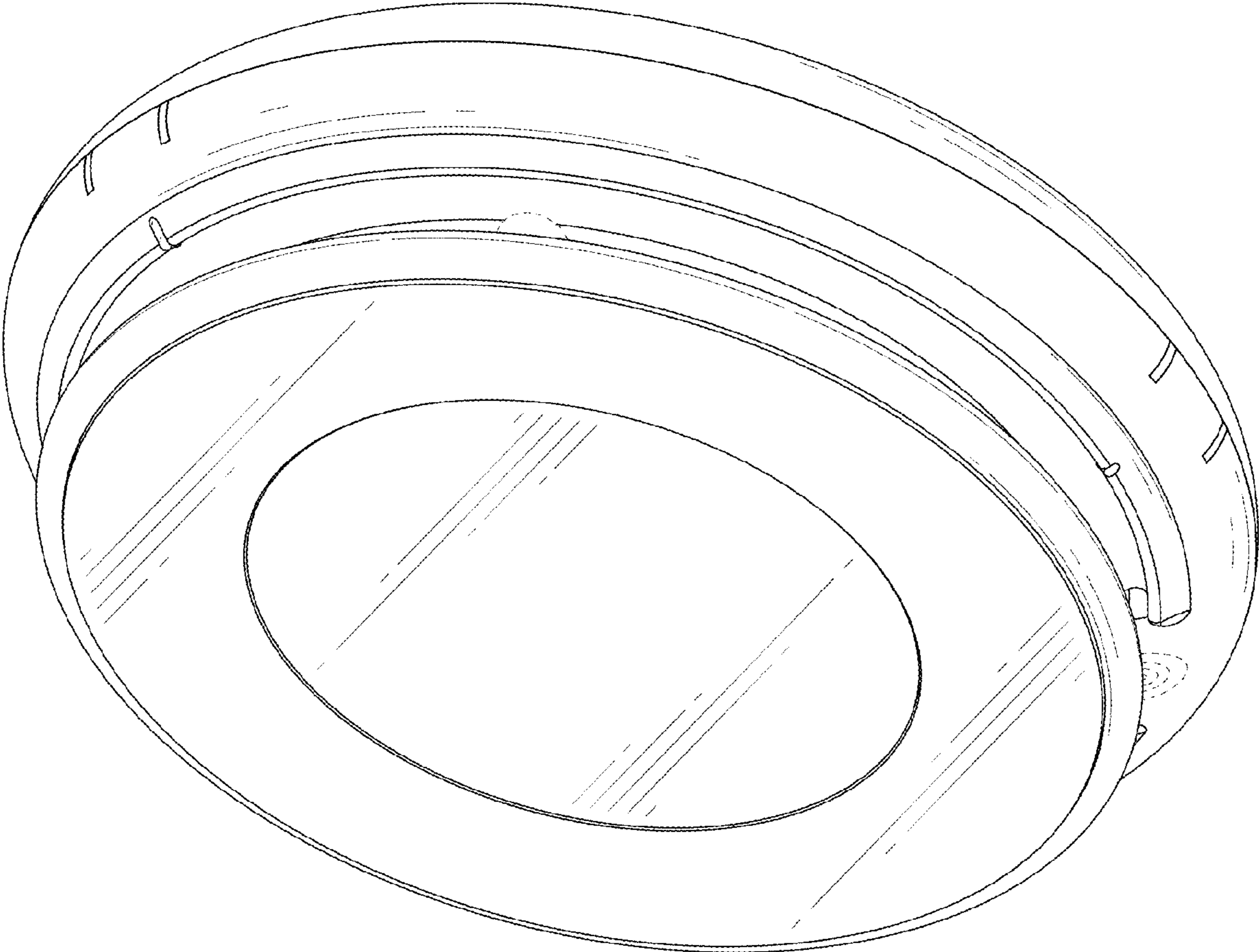


FIG. 2

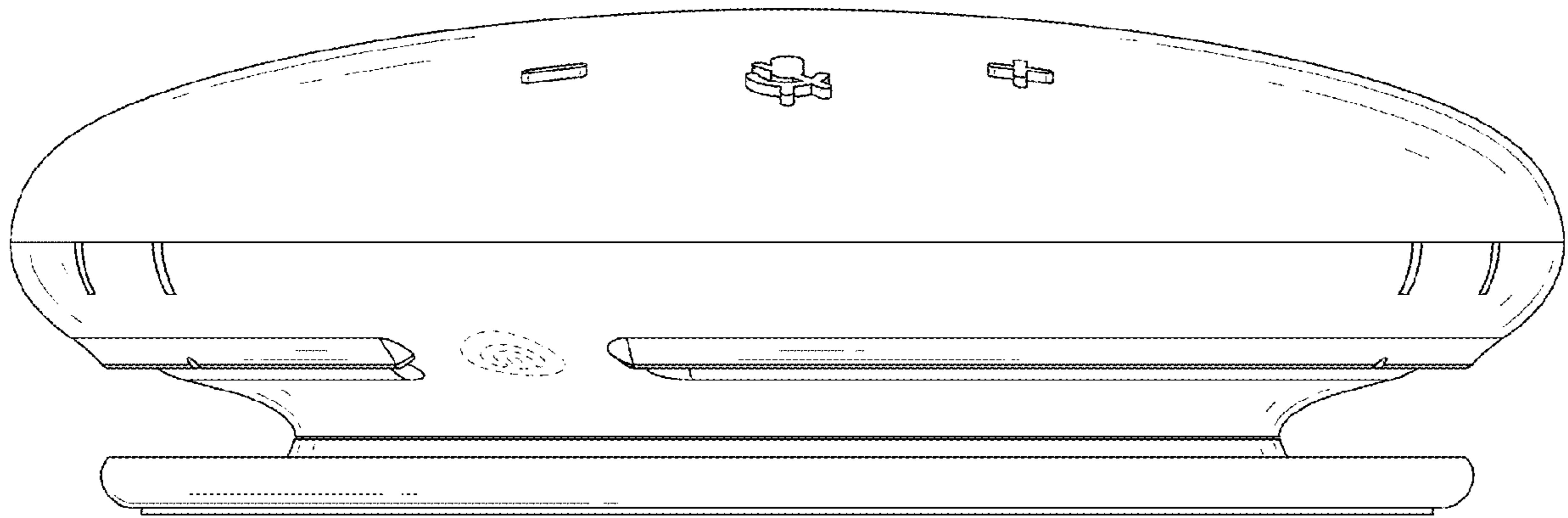


FIG. 3

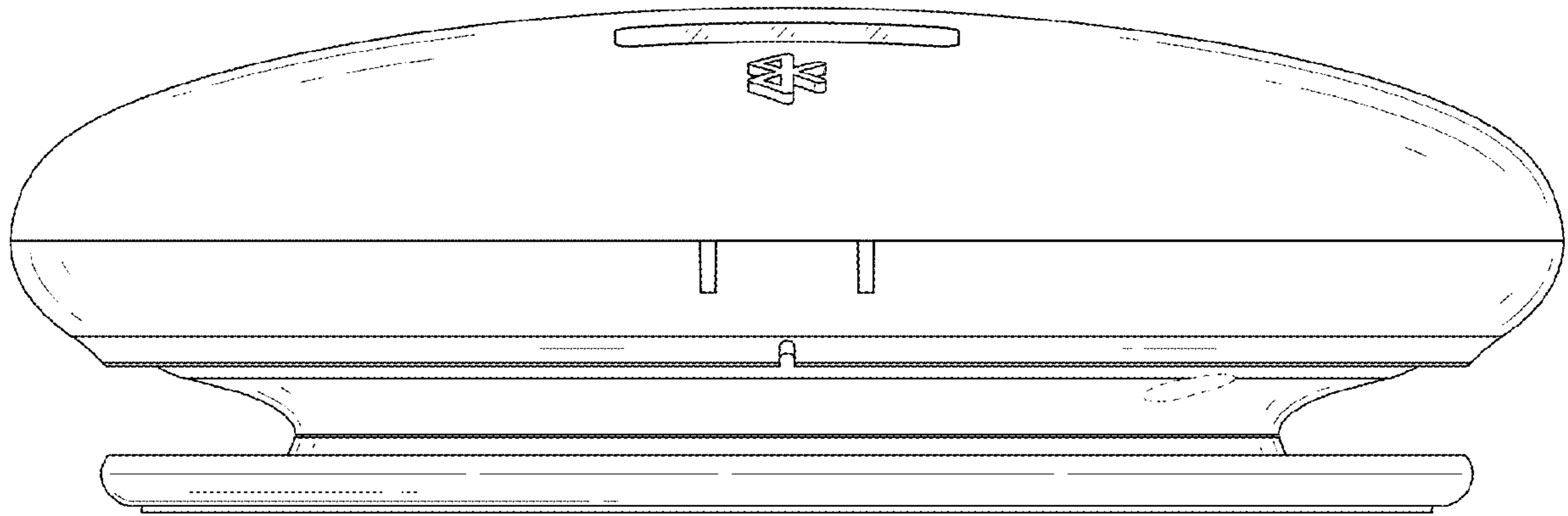


FIG. 4

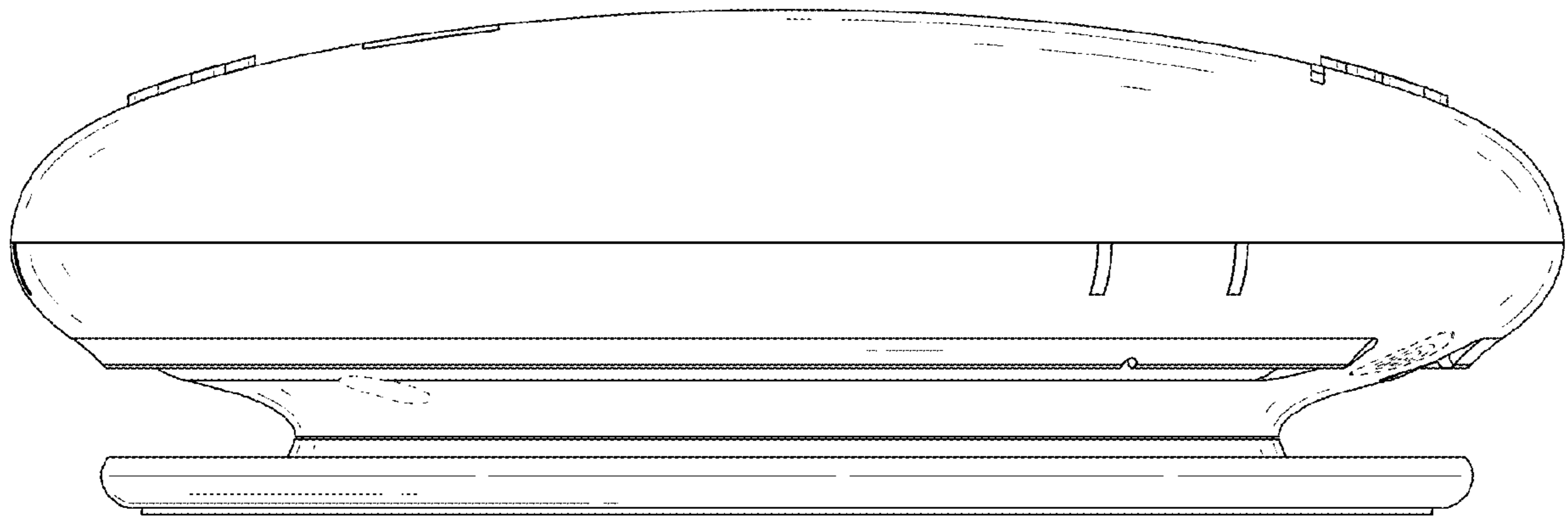


FIG. 5

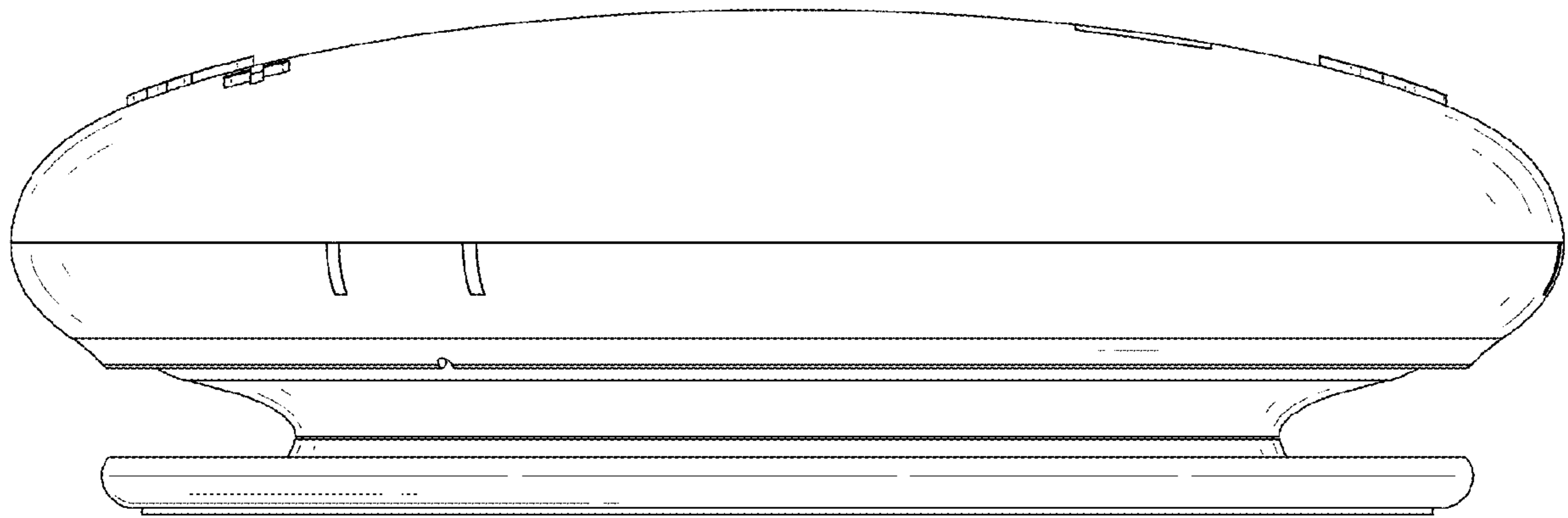


FIG. 6



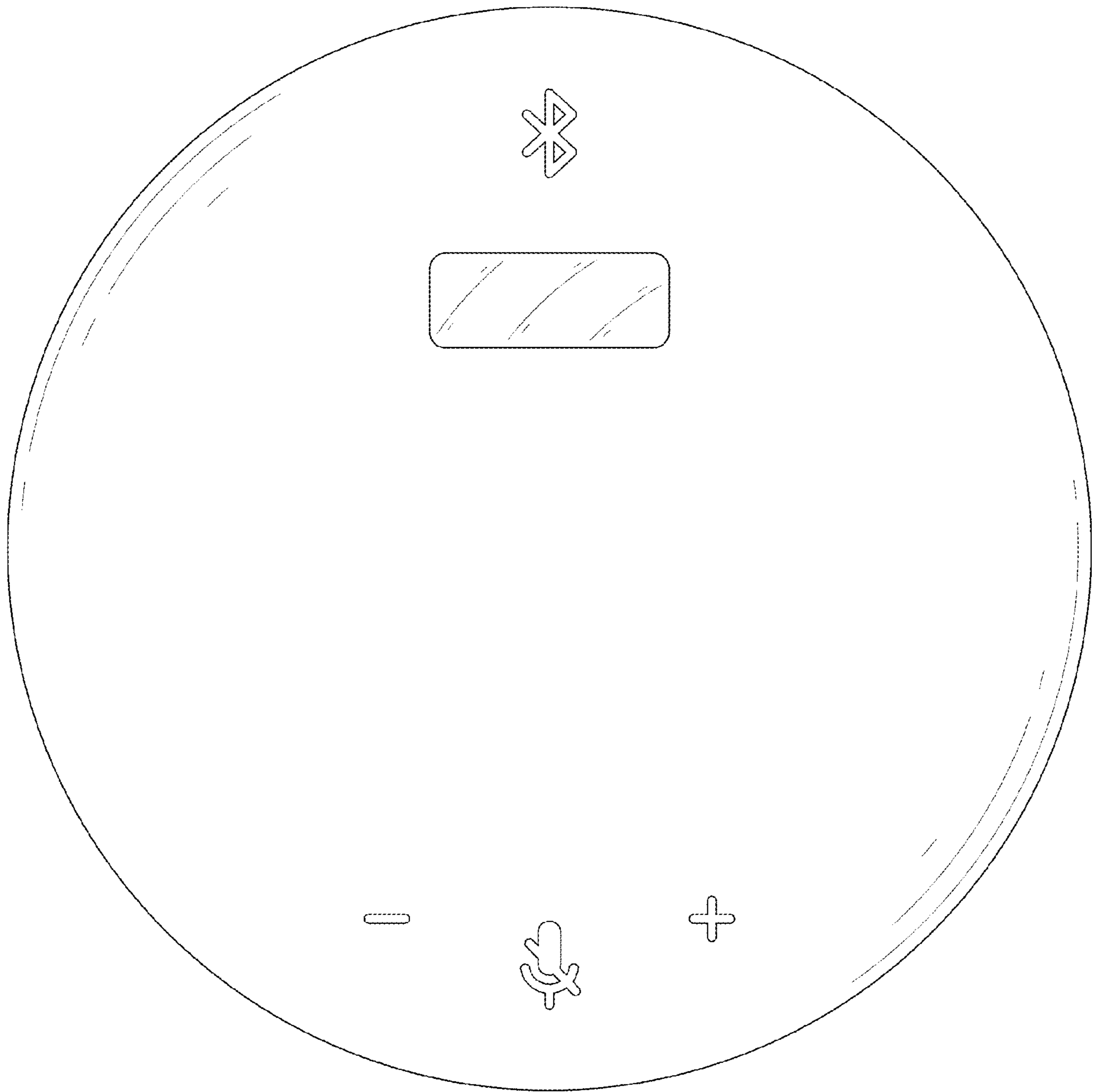


FIG. 7

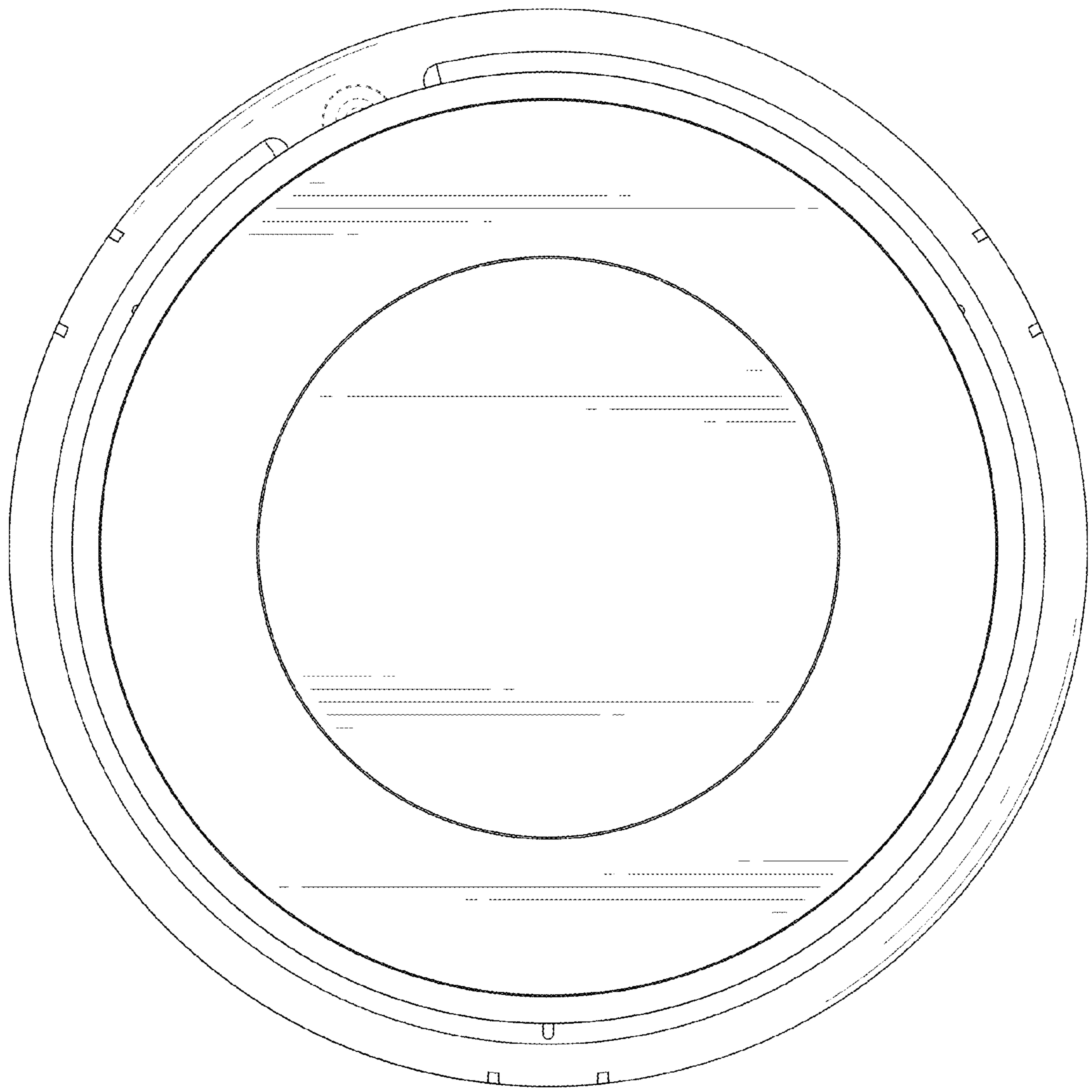


FIG. 8