



US00D937237S

(12) **United States Design Patent**  
**Amarosa et al.**

(10) **Patent No.:** **US D937,237 S**

(45) **Date of Patent:** **\*\* Nov. 30, 2021**

(54) **SPEAKERPHONE CONSOLE**

(71) Applicant: **Crestron Electronics, Inc.**, Rockleigh, NJ (US)

(72) Inventors: **Joseph Amarosa**, Yorktown Heights, NY (US); **Kian-Mun Kong**, Rivervale, NJ (US); **Michael Fonti**, Congers, NY (US); **Johannes Ott**, Cologne (DE); **Xiaofeng Xu**, Vernon Hills, IL (US)

(73) Assignee: **Crestron Electronics, Inc.**, Rockleigh, NJ (US)

(\*\*) Term: **15 Years**

(21) Appl. No.: **29/712,003**

(22) Filed: **Nov. 5, 2019**

(51) **LOC (13) Cl.** ..... **14-01**

(52) **U.S. Cl.**  
USPC ..... **D14/149**; D14/214

(58) **Field of Classification Search**

USPC ..... D14/167, 168, 170–172, 188, 194–196,  
D14/204, 209.1, 210–216, 219, 221, 222,  
D14/224, 239, 496, 149

CPC ..... B60R 11/0217; G06F 1/1688; G10K 9/22;  
G10K 11/004; H03F 1/327; H04M 1/03;  
H04M 1/035; H04N 5/642; H04N  
21/4852; H04R 1/02; H04R 1/06; H04R  
1/021; H04R 1/025; H04R 1/026; H04R  
1/028; H04R 1/105; H04R 1/323; H04R  
1/403; H04R 1/2803; H04R 1/2834;  
H04R 5/02; H04R 7/20; H04R 9/06;  
H04R 9/025; H04R 2201/021; H04R  
2400/00; H04R 2400/07; H04R 2499/11;  
H04R 2499/13; H04R 2499/15; H04S  
3/00; H04S 7/30

See application file for complete search history.

(56) **References Cited**

**U.S. PATENT DOCUMENTS**

D368,478 S 4/1996 Bernstein et al.  
D382,265 S 8/1997 Bradley et al.

D382,266 S 8/1997 Wakefield  
D449,285 S 10/2001 Wakefield et al.  
D449,286 S 10/2001 Wakefield et al.  
D478,560 S 8/2003 Misrahi et al.  
D480,059 S 9/2003 Misrahi et al.  
D571,776 S 6/2008 Duys et al.  
D635,955 S 4/2011 Corrigan et al.  
D679,018 S \* 3/2013 Fullerton ..... D24/167

(Continued)

**OTHER PUBLICATIONS**

Polycom RealPresence Trio data sheet, 2016.

*Primary Examiner* — Keli L Hill

(74) *Attorney, Agent, or Firm* — Crestron Electronics, Inc.

(57) **CLAIM**

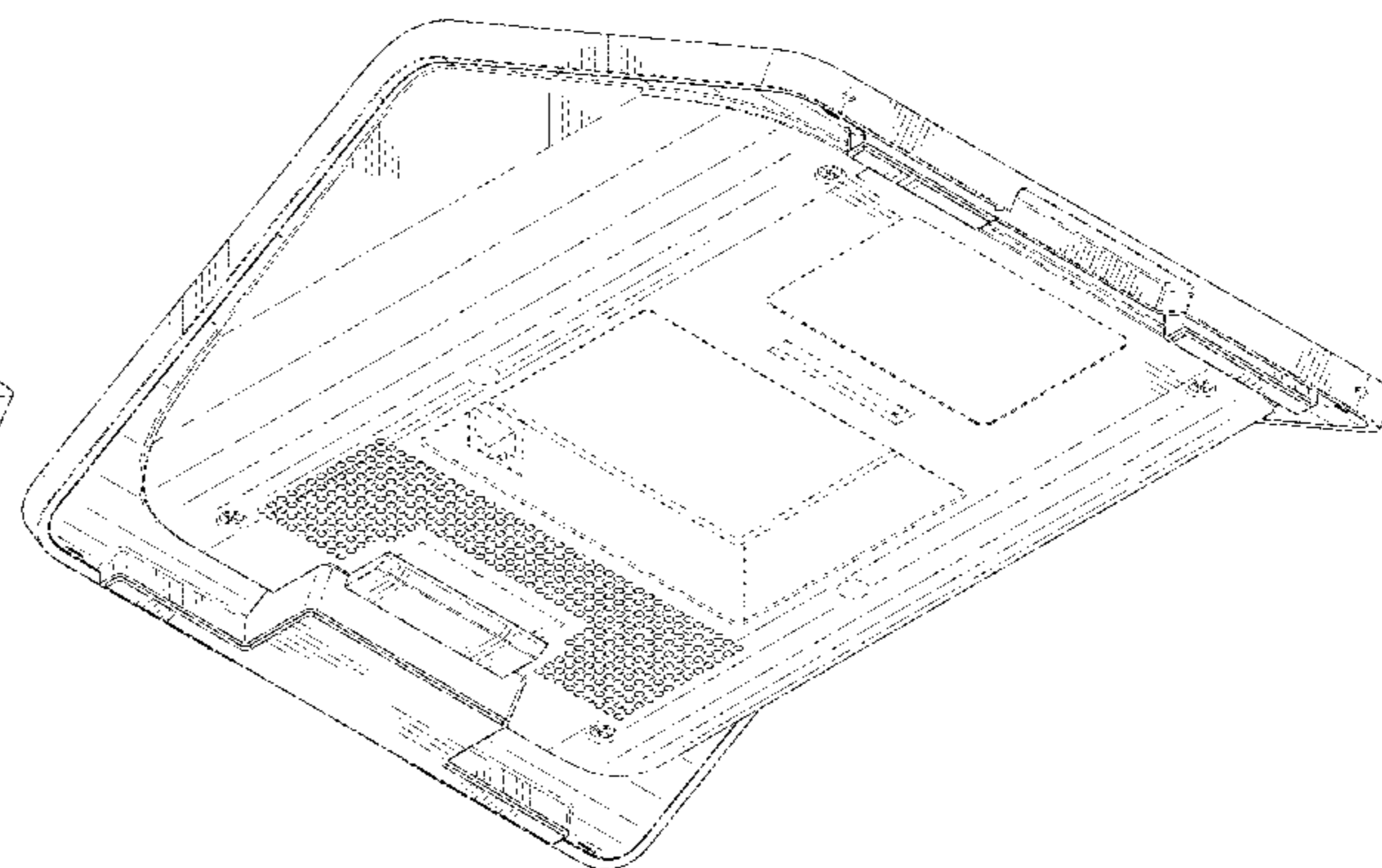
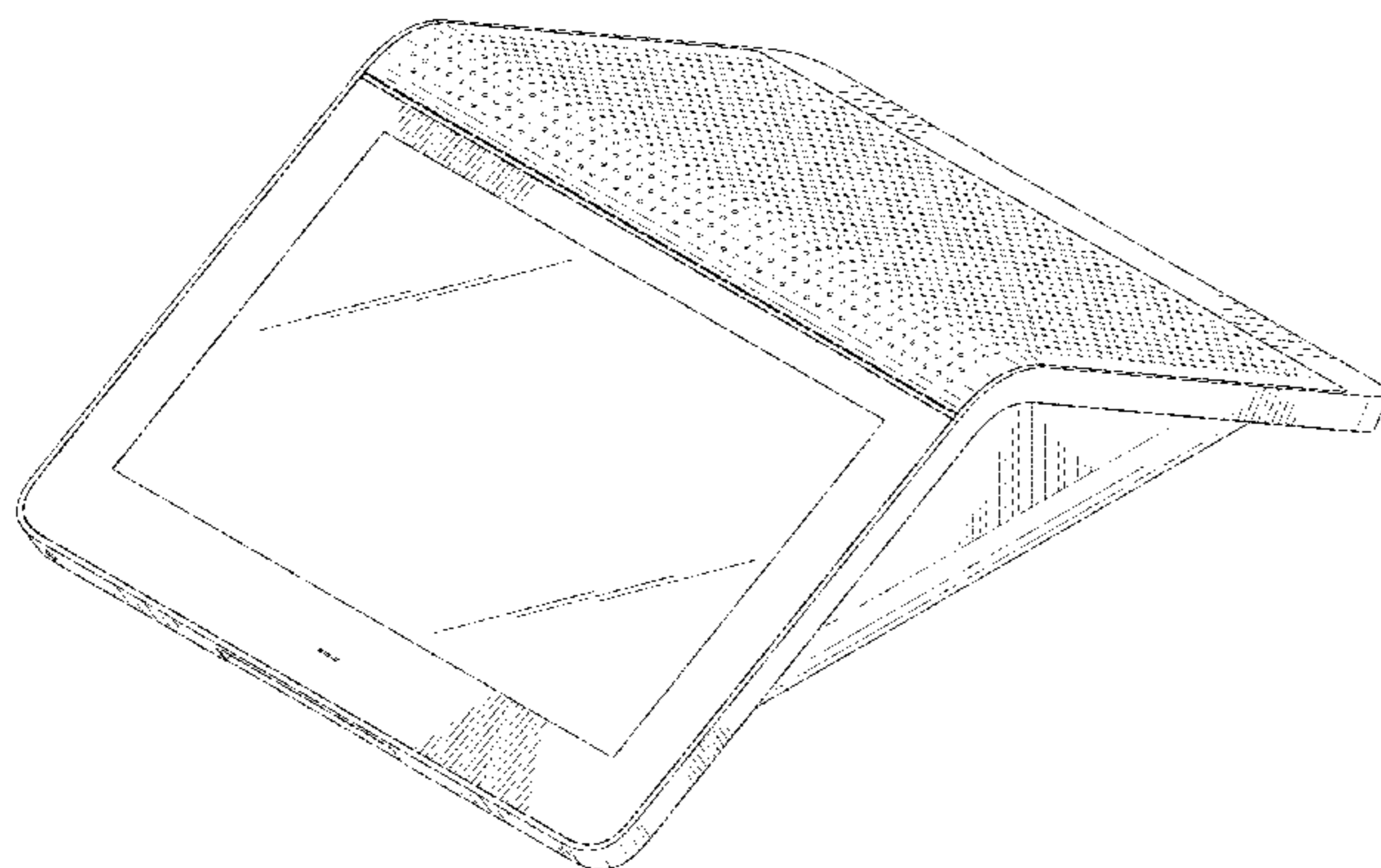
The ornamental design for a speakerphone console, as shown and described.

**DESCRIPTION**

FIG. 1 shows a top isometric view of a speakerphone console embodying our new design; FIG. 2 shows a bottom isometric view of the device shown in FIG. 1; FIG. 3 shows a front elevation view of the device shown in FIG. 1; FIG. 4 shows a rear elevation view of the device shown in FIG. 1; FIG. 5 shows a left side elevation view of the device shown in FIG. 1; FIG. 6 shows a right side elevation view of the device shown in FIG. 1; FIG. 7 shows a top plan view of the device shown in FIG. 1; and, FIG. 8 shows a bottom plan view of the device shown in FIG. 1.

The broken lines in the drawings depict parts of the speakerphone console that form no part of the claim.

**1 Claim, 8 Drawing Sheets**



(56)

**References Cited**

U.S. PATENT DOCUMENTS

|          |   |   |         |          |       |           |
|----------|---|---|---------|----------|-------|-----------|
| D805,639 | S | * | 12/2017 | Lee      | ..... | D24/144   |
| D816,056 | S | * | 4/2018  | Klein    | ..... | D14/149   |
| D873,231 | S | * | 1/2020  | Klein    | ..... | D14/149   |
| D894,865 | S | * | 9/2020  | Yin      | ..... | D14/204   |
| D902,879 | S | * | 11/2020 | Balch    | ..... | D14/149   |
| D902,880 | S | * | 11/2020 | Florezak | ..... | D14/149   |
| D928,735 | S | * | 8/2021  | Yoo      | ..... | D14/209.1 |
| D928,736 | S | * | 8/2021  | Weng     | ..... | D14/214   |

\* cited by examiner

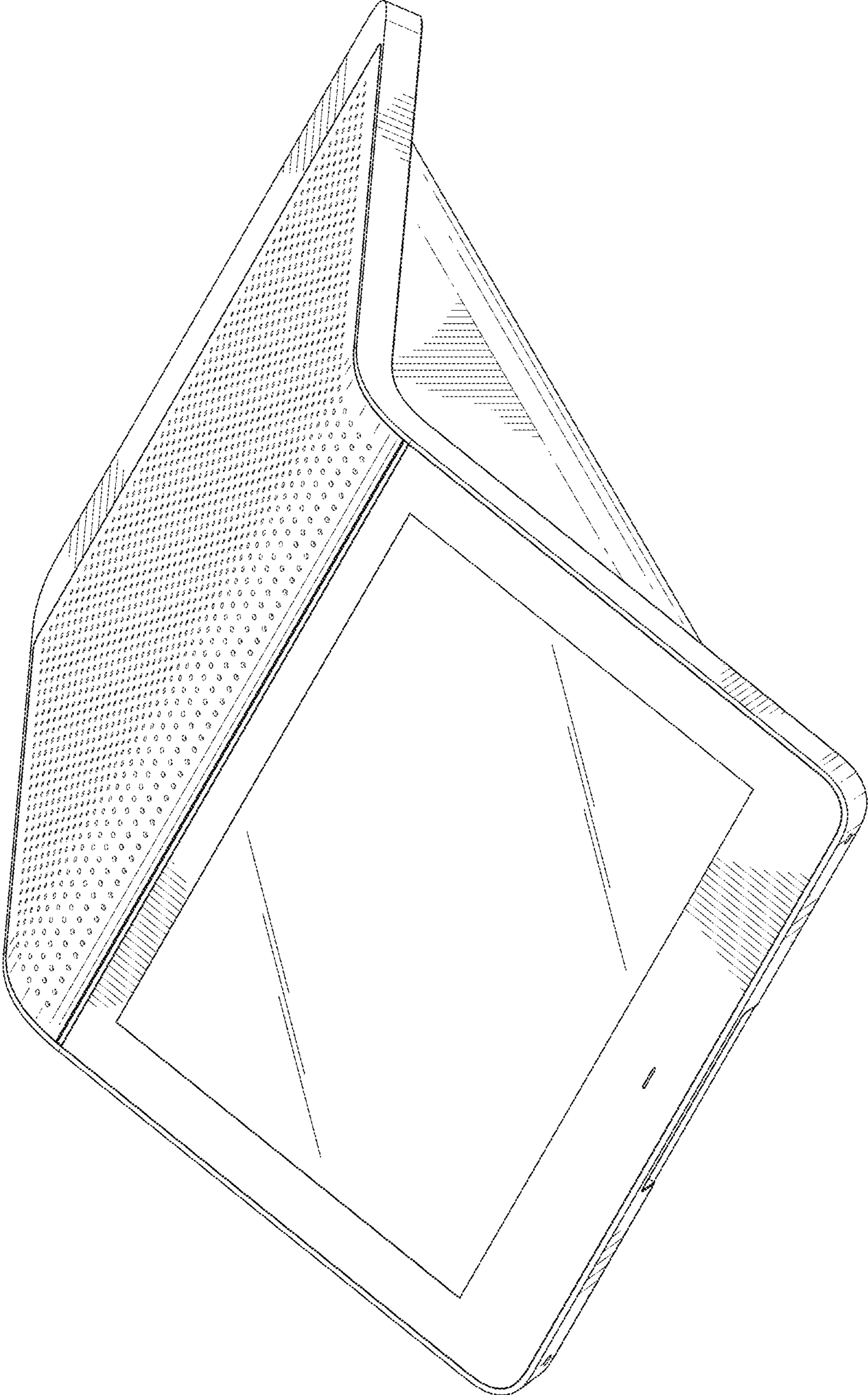


FIG. 1

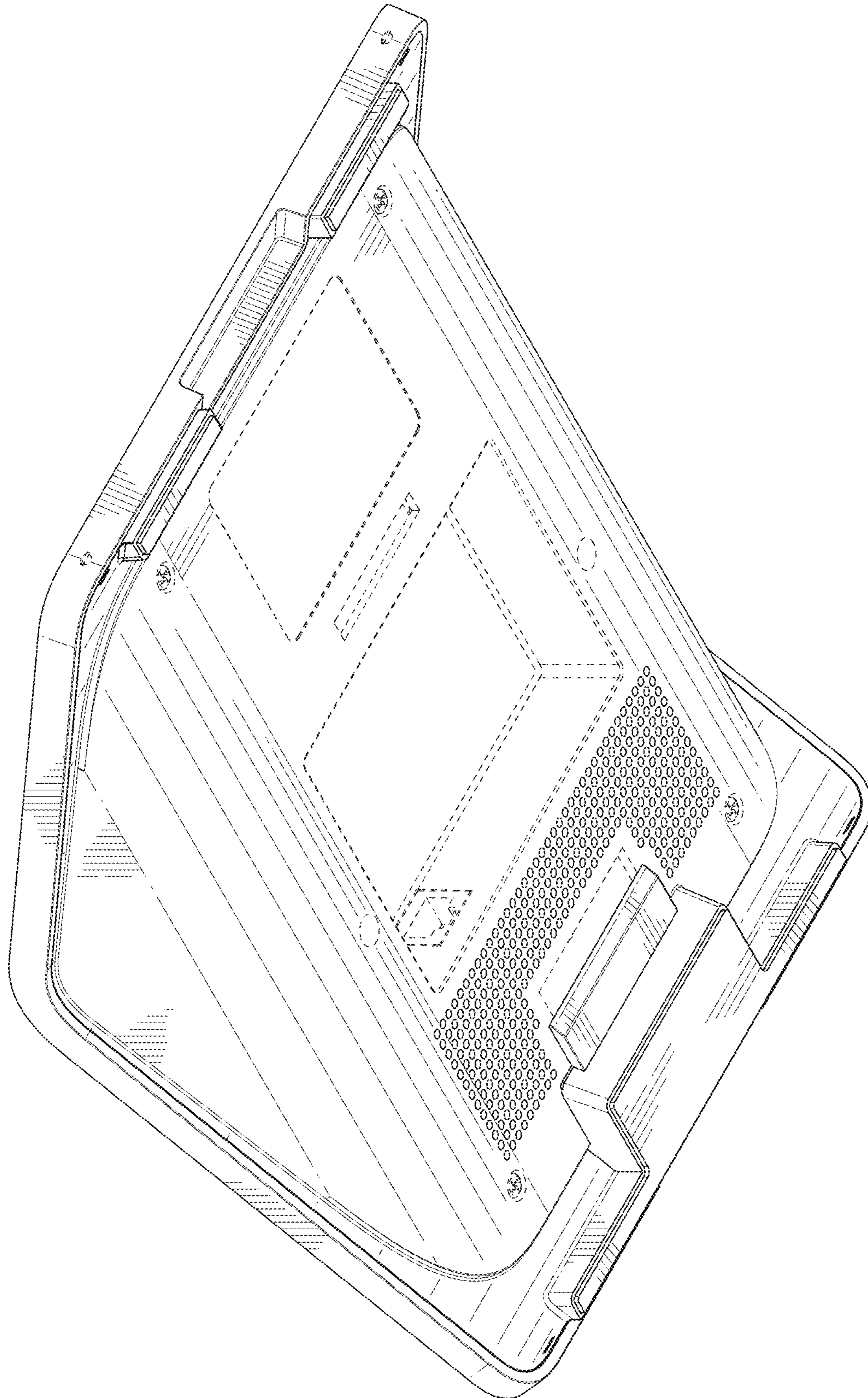


FIG. 2

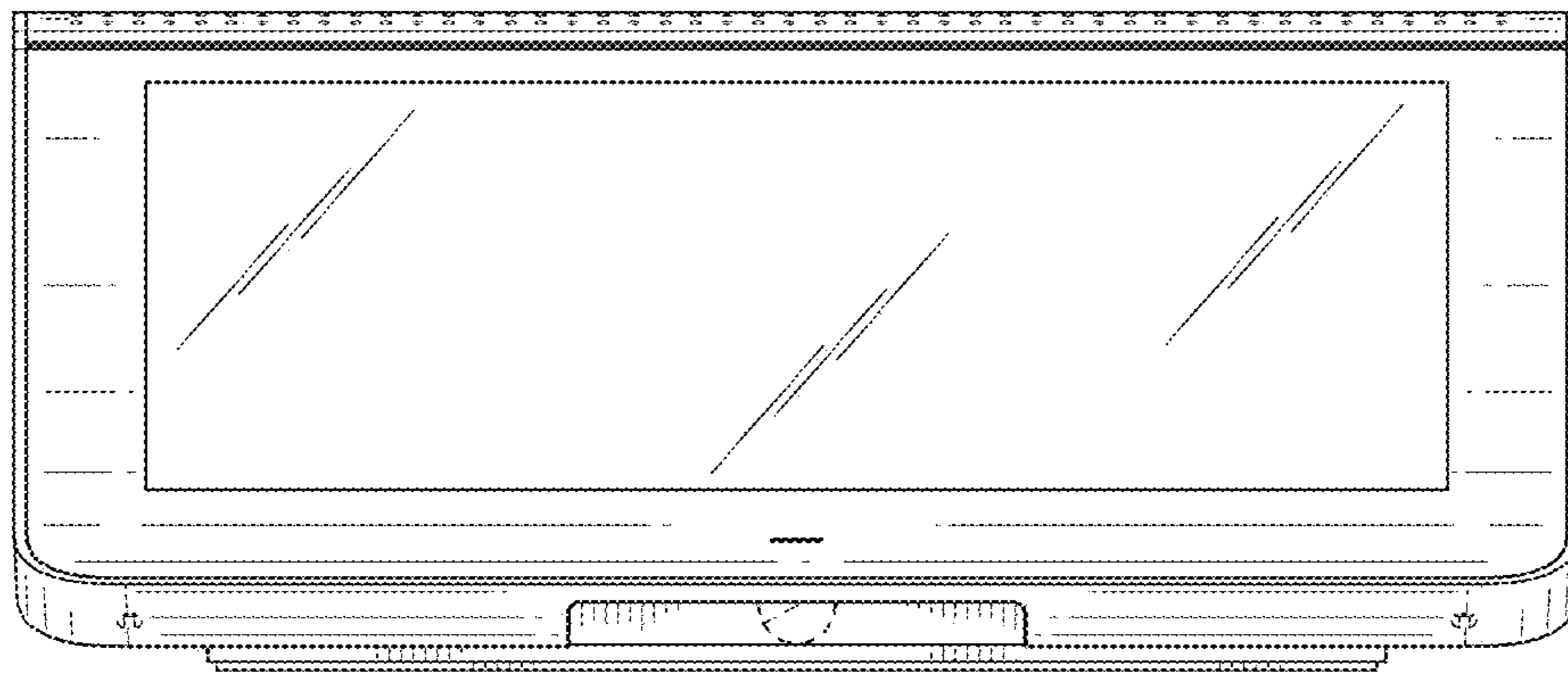


FIG. 3

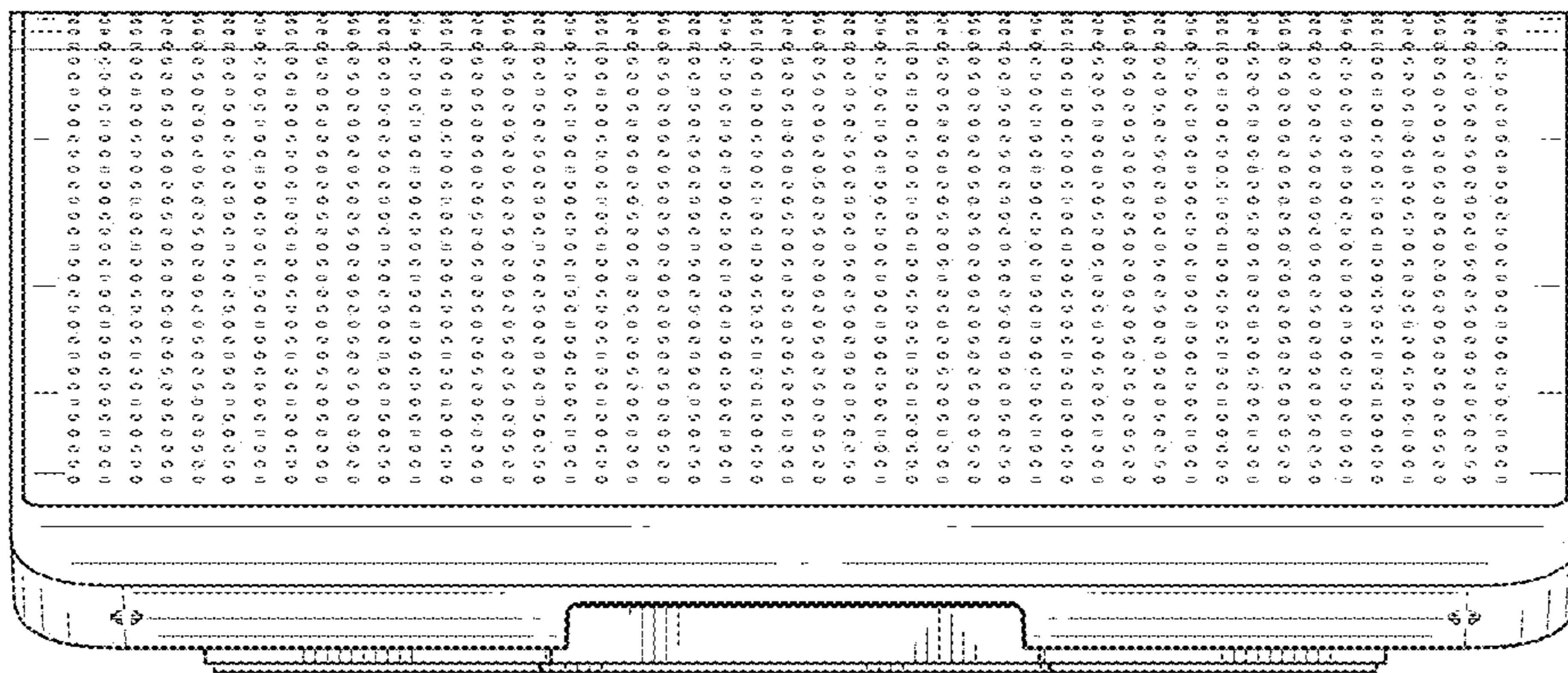


FIG. 4

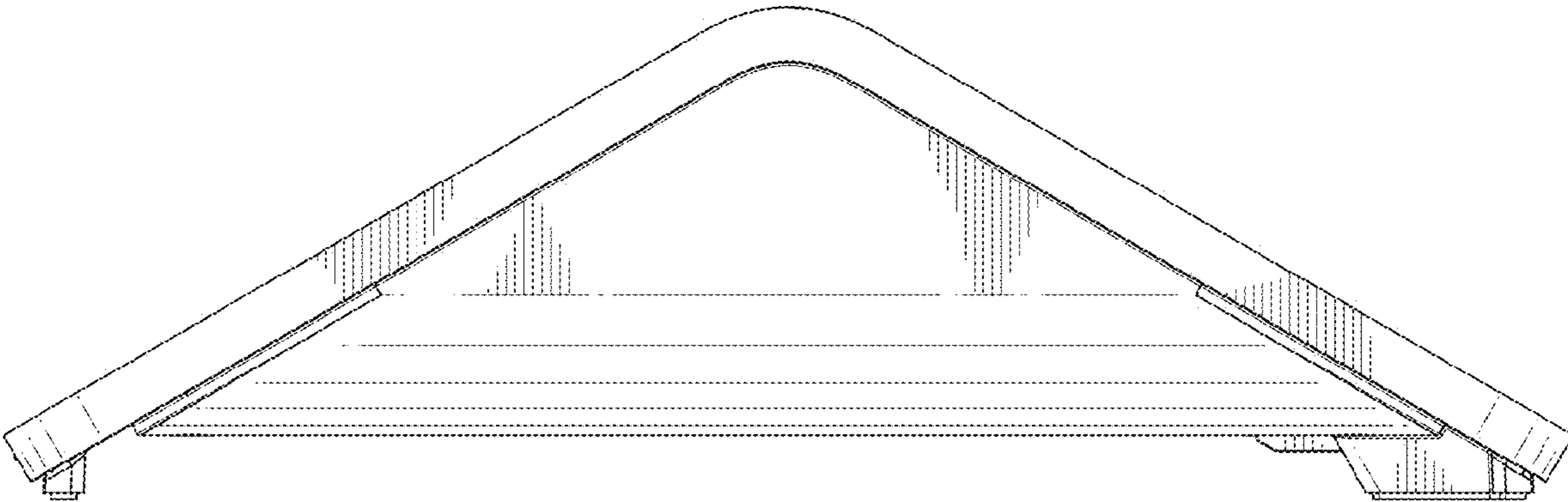


FIG.5

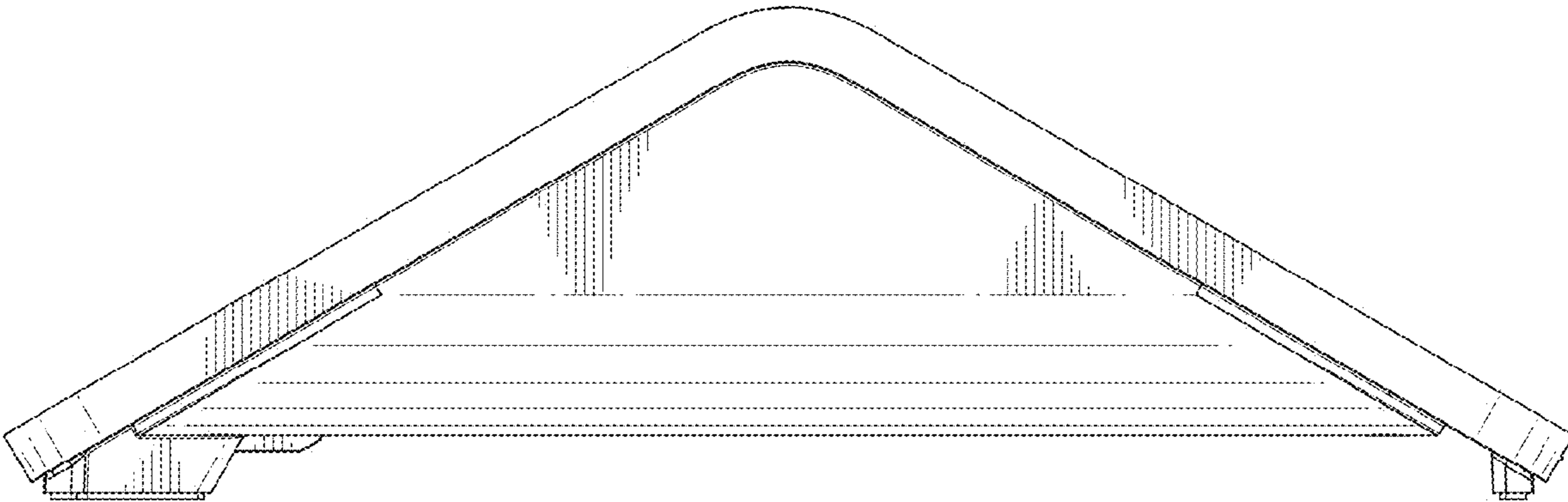


FIG.6



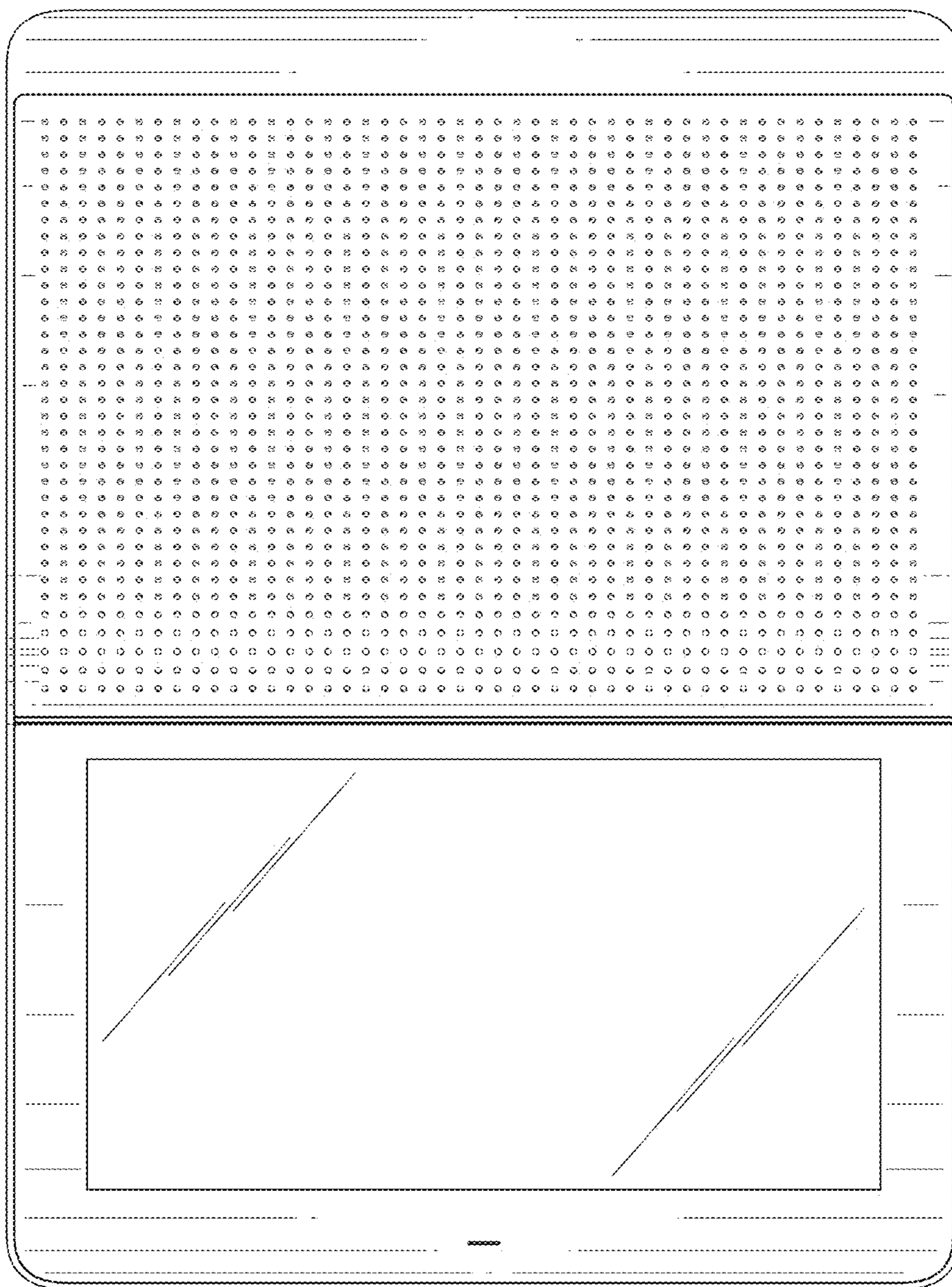


FIG. 7

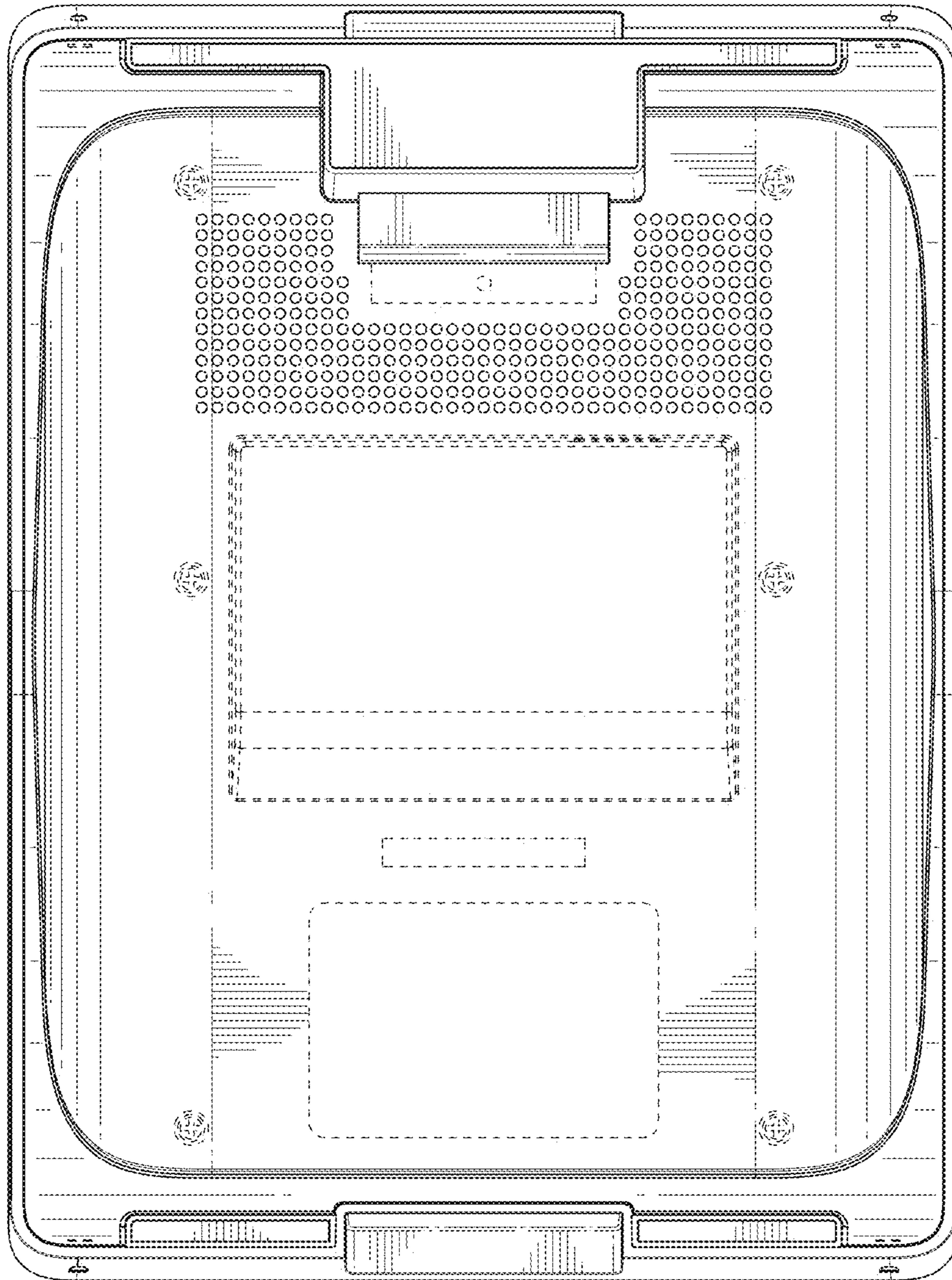


FIG. 8