



US00D937230S

(12) **United States Design Patent** (10) **Patent No.:** **US D937,230 S**  
**Fleece** (45) **Date of Patent:** **\*\* Nov. 30, 2021**

- (54) **CIRCUIT BOARD**
- (71) Applicant: **Fleece Performance Engineering, Inc.**,  
Pittsboro, IN (US)
- (72) Inventor: **Brayden Fleece**, North Salem, IN (US)
- (73) Assignee: **FLEECE PERFORMANCE ENGINEERING, INC.**, Pittsboro, IN (US)
- (\*\*) Term: **15 Years**
- (21) Appl. No.: **29/718,083**
- (22) Filed: **Dec. 20, 2019**
- (51) **LOC (13) Cl.** ..... **13-03**
- (52) **U.S. Cl.**  
USPC ..... **D13/182**
- (58) **Field of Classification Search**  
USPC ..... D13/182; 361/748, 752, 760, 761, 807,  
361/808, 736, 719, 720; 174/250, 253,  
174/255, 68.1; 363/144, 147  
CPC ..... H05K 3/30; H05K 3/301; H05K 3/284;  
H05K 3/303; H05K 1/18; H05K 1/181;  
H05K 1/182; H05K 1/183; H05K 1/185;  
H05K 1/00; H05K 7/1417; H05K 7/02;  
H05K 7/12; H05K 7/06; H01L 2924/14  
See application file for complete search history.

D639,756 S *	6/2011	Greene, Jr. ....	D13/182
D642,546 S *	8/2011	Greene, Jr. ....	D13/182
D647,072 S *	10/2011	Bentley .....	D13/182
D709,894 S *	7/2014	Fetterman .....	D14/436
D736,212 S *	8/2015	Kang .....	D14/436
D787,456 S *	5/2017	Matsumoto .....	D13/182
D787,457 S *	5/2017	Matsumoto .....	D13/182
D798,868 S *	10/2017	Daniel .....	D14/436
D799,438 S *	10/2017	Takahashi .....	D13/182
D821,339 S *	6/2018	McCurley .....	D13/182
D880,484 S *	4/2020	Li .....	D14/435
D883,240 S *	5/2020	Fathauer .....	H05K 1/115 D13/182
D909,319 S *	2/2021	Nordeen .....	D13/182
2009/0268390 A1 *	10/2009	King .....	G06F 13/409 361/679.33

\* cited by examiner

*Primary Examiner* — Elizabeth J Oswecki  
(74) *Attorney, Agent, or Firm* — Taft Stettinius & Hollister LLP; Stephen F. Rost

(57) **CLAIM**

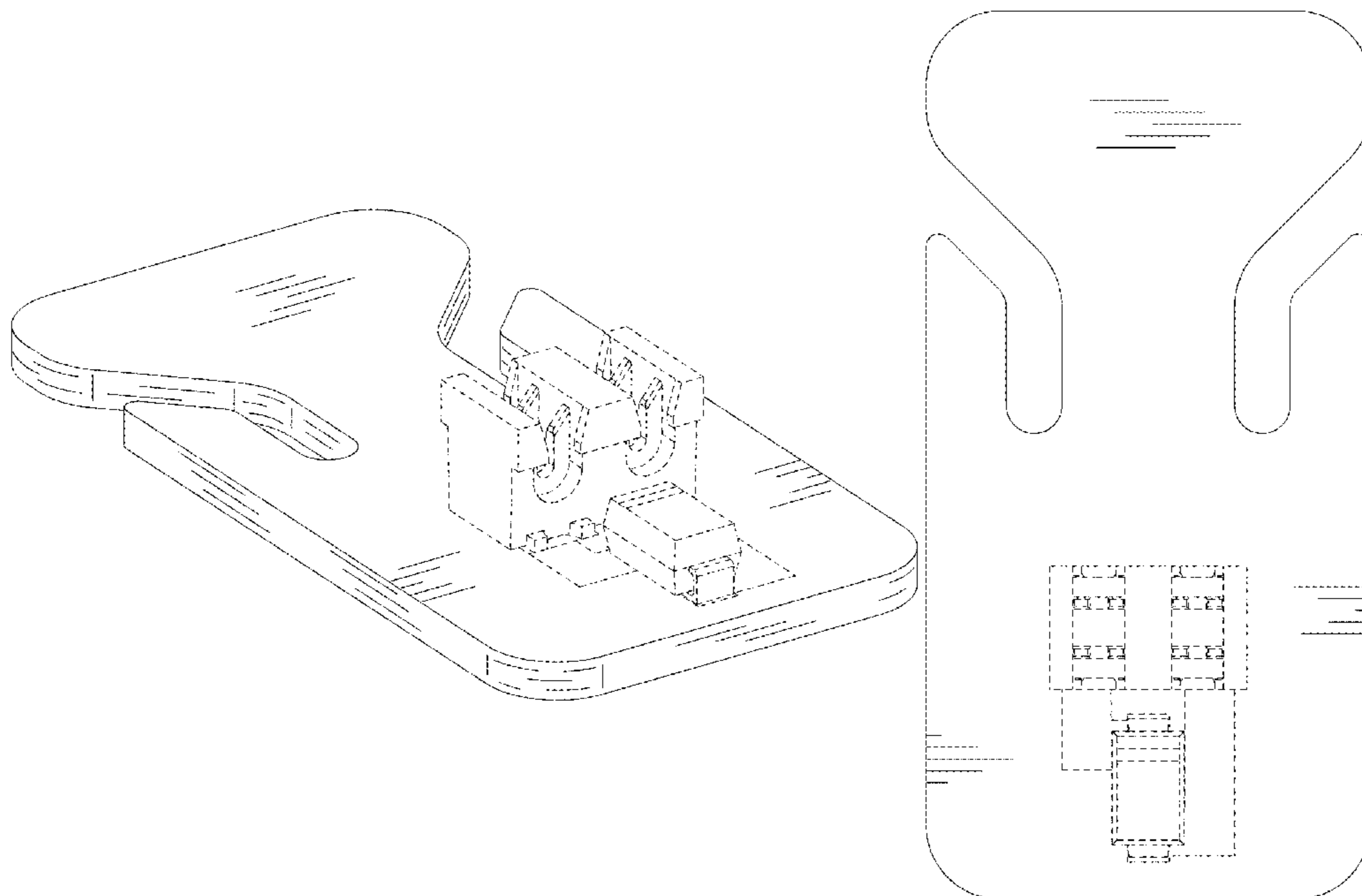
The ornamental design for a circuit board, as shown and described.

**DESCRIPTION**

FIG. 1 is a perspective view of a circuit board showing my new design;  
FIG. 2 is a top view thereof;  
FIG. 3 is a bottom view thereof;  
FIG. 4 is a left side elevational view thereof;  
FIG. 5 is a right side elevational view thereof;  
FIG. 6 is a front elevational view thereof; and,  
FIG. 7 is a rear elevational view thereof.  
The even dashed, broken lines in FIGS. 1-7 show unclaimed environment and form no part of the claimed design.

**1 Claim, 3 Drawing Sheets**

- (56) **References Cited**  
U.S. PATENT DOCUMENTS  
D363,920 S \* 11/1995 Roberts ..... D13/182  
D430,856 S \* 9/2000 Wilkerson ..... D13/182  
D459,706 S \* 7/2002 Ebihara ..... D13/182  
D471,524 S \* 3/2003 Ebihara ..... D13/182  
D637,193 S \* 5/2011 Andre ..... D14/436



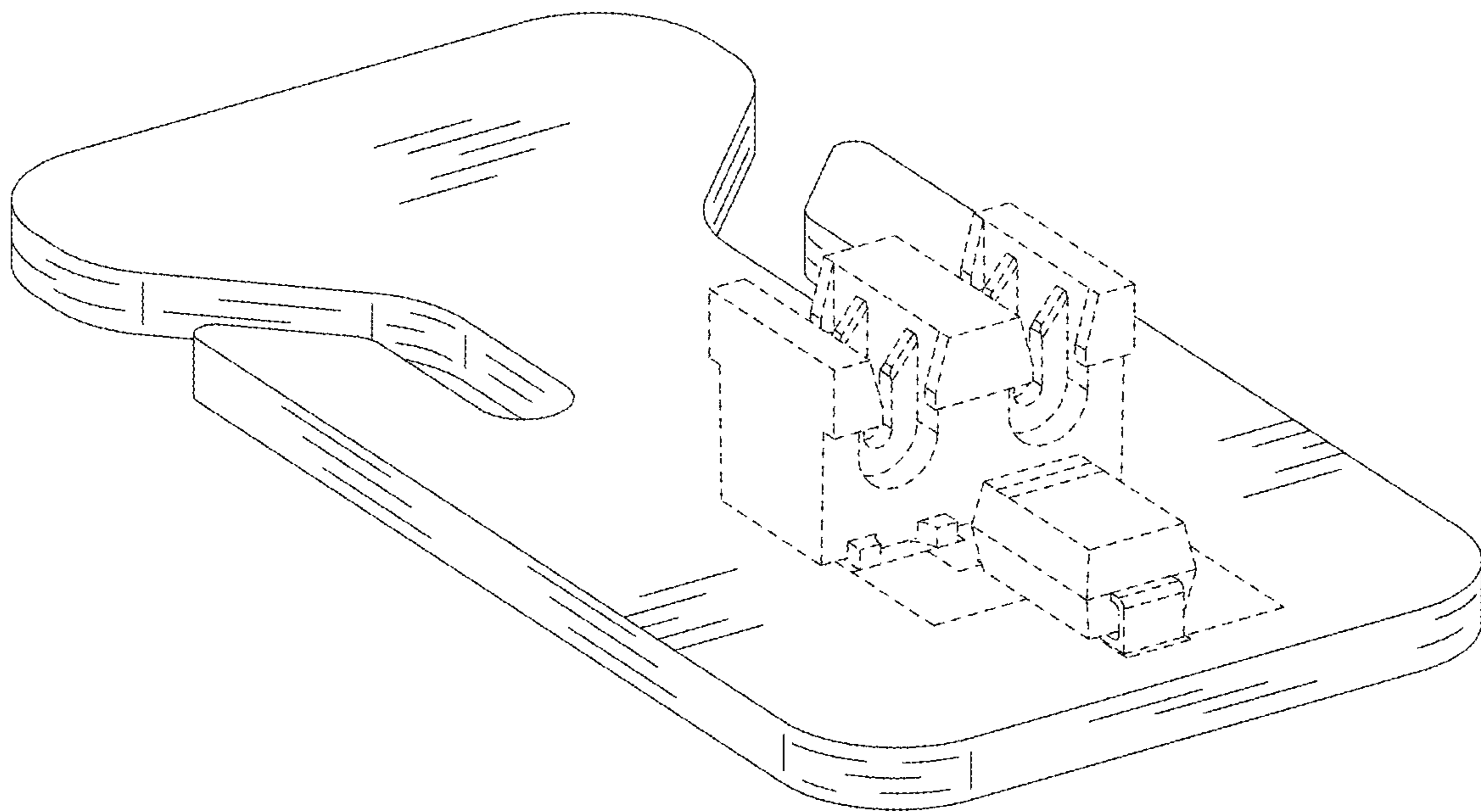


Fig. 1

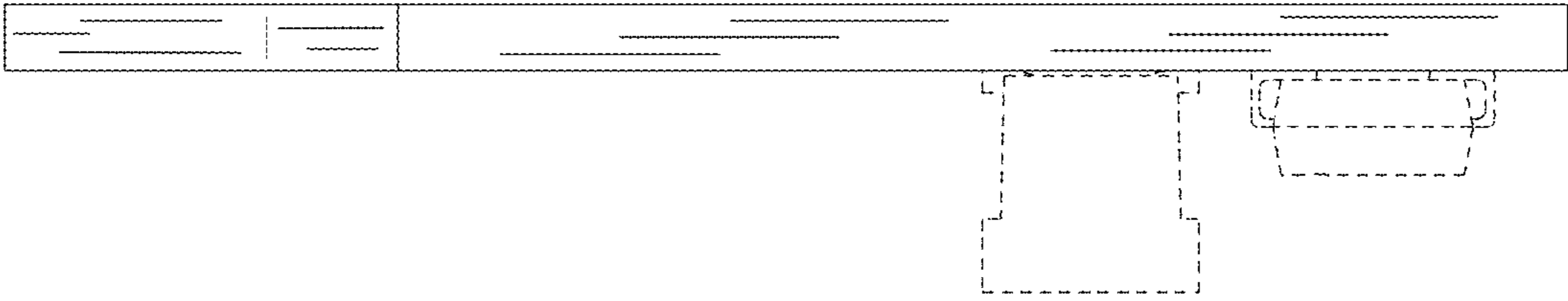


Fig. 5

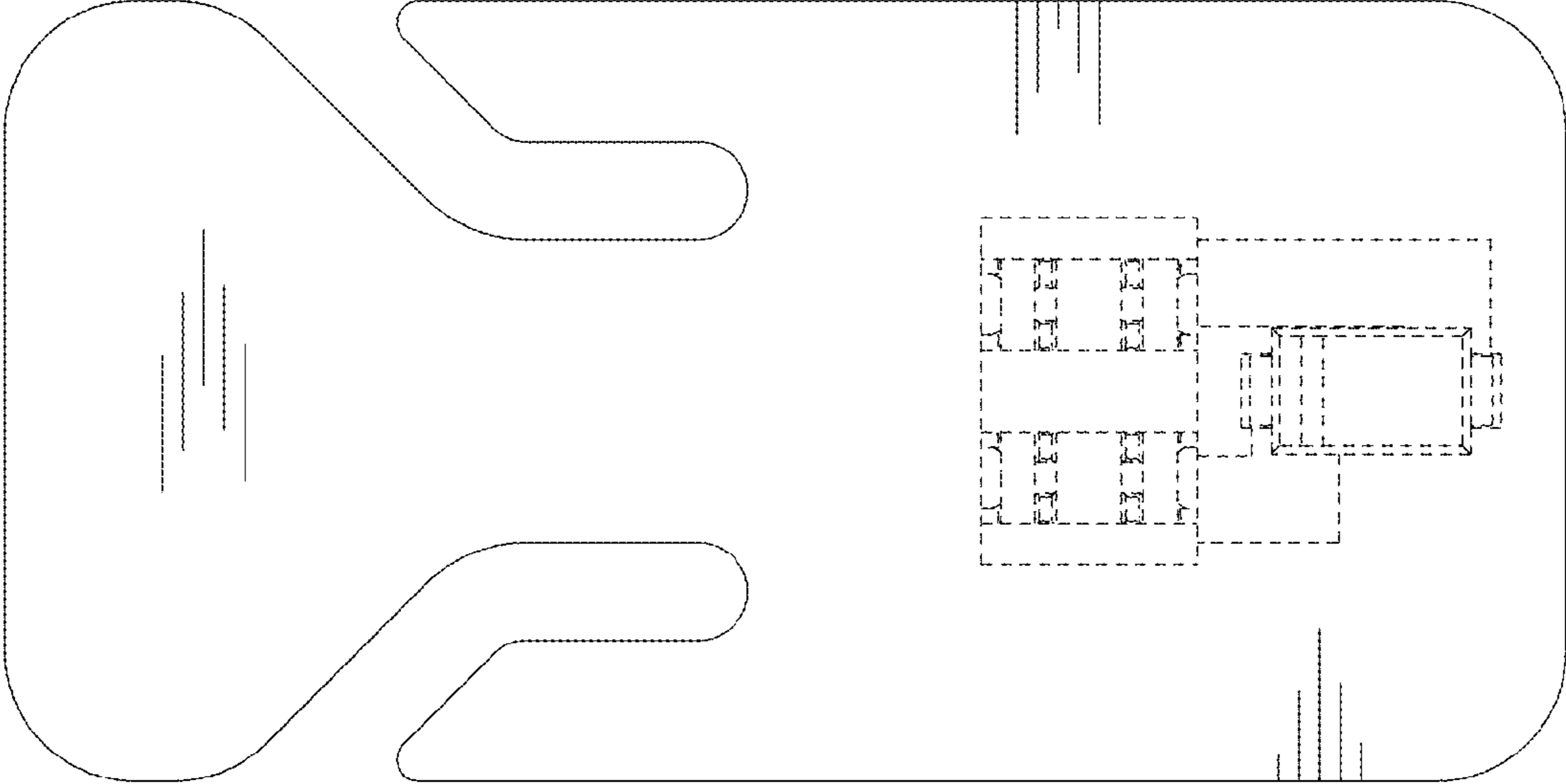


Fig. 2

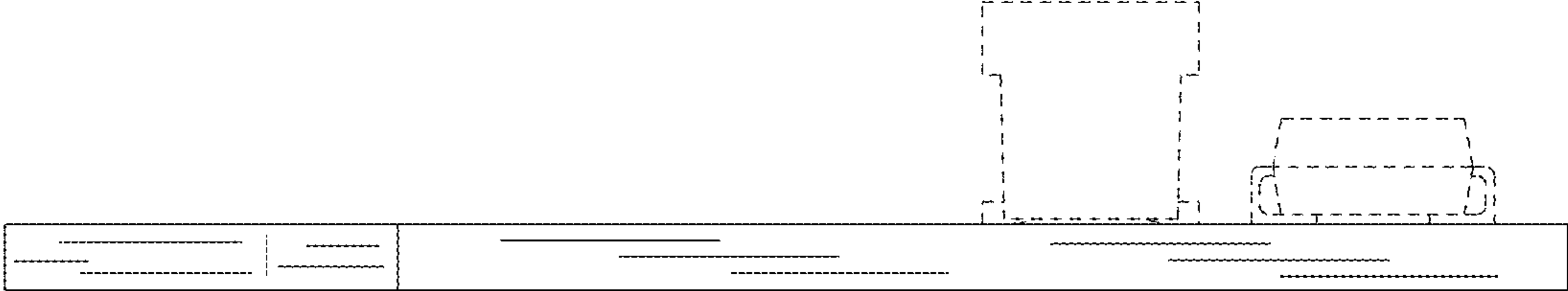


Fig. 4

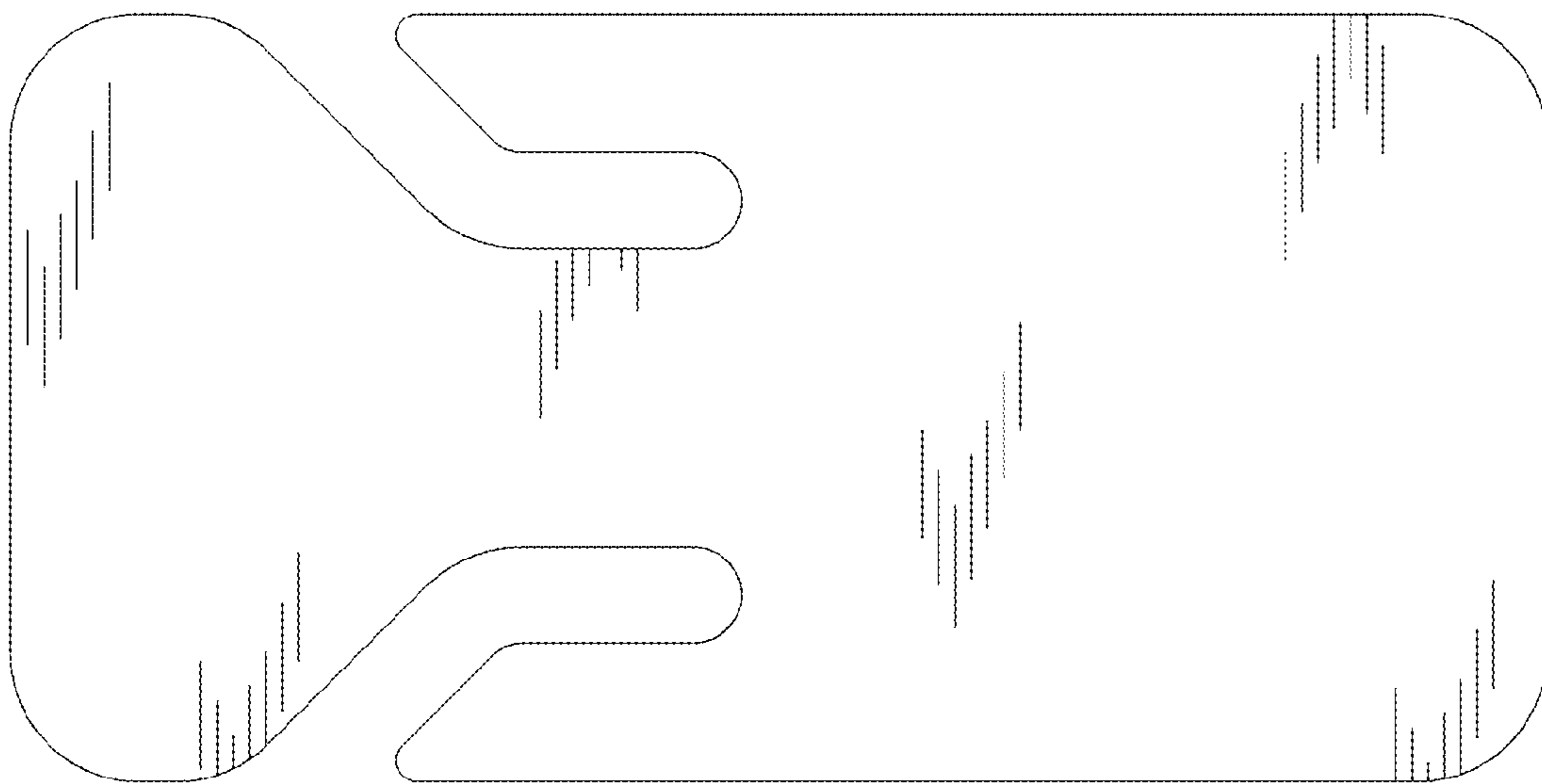


Fig. 3

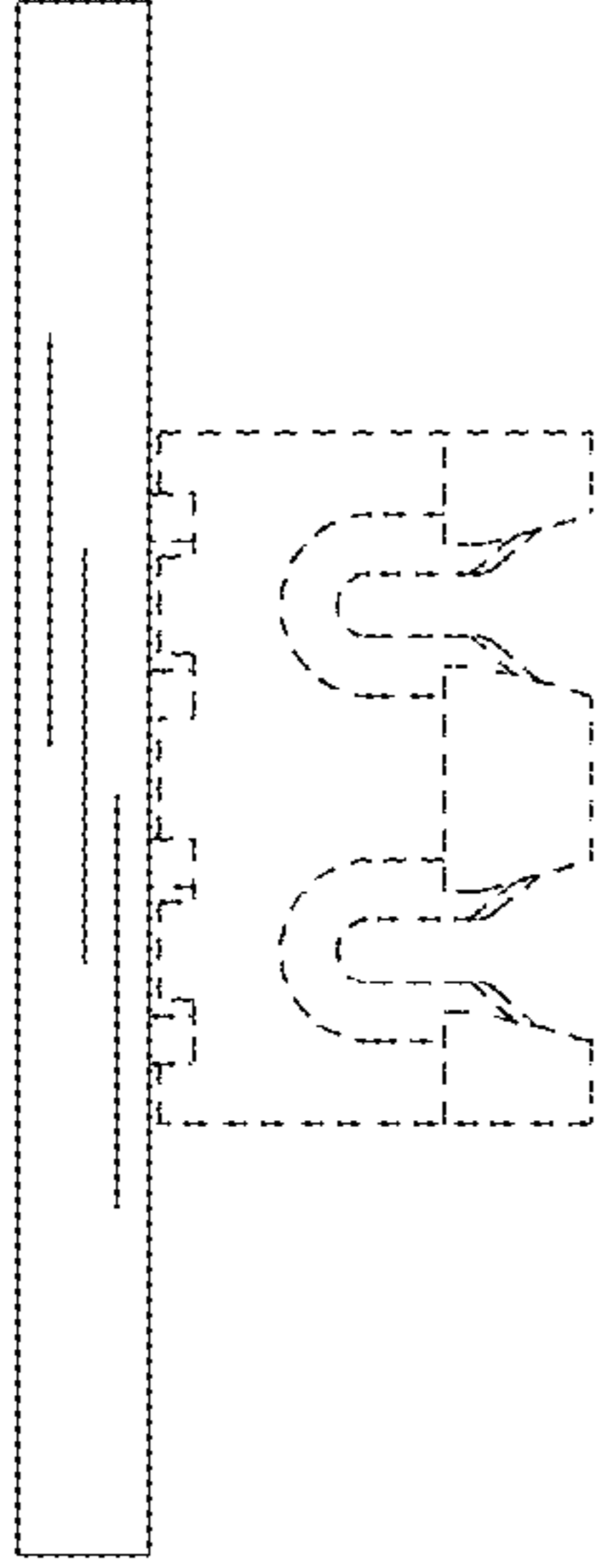


Fig. 6

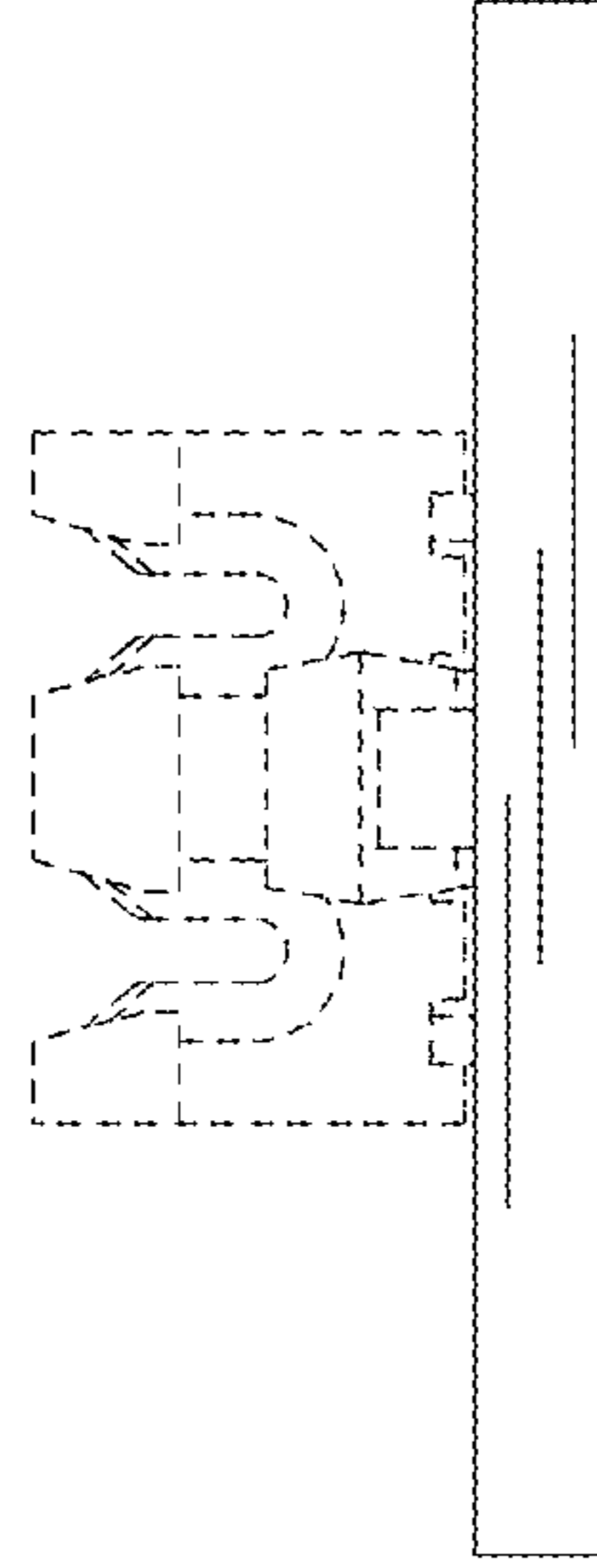


Fig. 7