



US00D937227S

(12) **United States Design Patent**
Thomsen

(10) **Patent No.:** **US D937,227 S**

(45) **Date of Patent:** **** Nov. 30, 2021**

(54) **HAND CONTROL**

(71) Applicant: **LINAK A/S**, Nordborg (DK)

(72) Inventor: **Henrik Agerley Thomsen**, Broager (DK)

(73) Assignee: **LINAK A/S**, Nordborg (DK)

(**) Term: **15 Years**

(21) Appl. No.: **29/646,915**

(22) Filed: **May 8, 2018**

(30) **Foreign Application Priority Data**

Nov. 8, 2017 (DK) DA 2017 00099

(51) **LOC (13) Cl.** **14-03**

(52) **U.S. Cl.**
USPC **D13/168**; D14/218

(58) **Field of Classification Search**
USPC D13/168; D14/218; D24/200
CPC .. A47C 31/008; A61G 13/02; G07C 9/00944;
G08C 17/00; G08C 17/02; H04B 1/202;
H01H 9/02; H01H 9/0214; H01H 9/0235;
H01H 9/0242
See application file for complete search history.

(56) **References Cited**

U.S. PATENT DOCUMENTS

D572,205 S *	7/2008	Landerholm	D13/168
D617,744 S *	6/2010	Landerholm	D13/168
D667,798 S *	9/2012	Burwell	D13/168
D710,315 S *	8/2014	Tsai	D13/168
D766,845 S *	9/2016	Gong	D13/168
D767,511 S *	9/2016	Gong	D13/168
D793,968 S *	8/2017	Eriksen	D13/168
D817,279 S *	5/2018	Lin	D13/123
D849,699 S *	5/2019	Shen	D13/168
D860,144 S *	9/2019	Zhuang	D13/168
D863,248 S *	10/2019	Liu	D14/155

D867,338 S *	11/2019	Ruegg	D14/218
D867,345 S *	11/2019	Zhuang	D14/218
D868,037 S *	11/2019	Zhuang	D14/218
D879,054 S *	3/2020	Shen	D13/168
D881,141 S *	4/2020	Chen	D13/168
D883,236 S *	5/2020	Thomsen	D13/168
D897,971 S *	10/2020	Chen	D13/168
2009/0160672 A1 *	6/2009	Winther	H01H 9/0214 340/4.31
2010/0213042 A1 *	8/2010	Smidt	H01H 9/0228 200/5 A
2019/0374039 A1 *	12/2019	Hosokawa	A47C 20/041
2020/0178702 A1 *	6/2020	Shiino	A61B 5/11
2020/0305256 A1 *	9/2020	Tachikawa	A61G 5/1056

OTHER PUBLICATIONS

Linak homepage <https://cdn.linak.com/-/media/files/data-sheet-source/en/control-hb80-data-sheet-eng.ashx>.

* cited by examiner

Primary Examiner — Selina Sikder

(74) *Attorney, Agent, or Firm* — Renner, Otto, Boisselle & Sklar, LLP

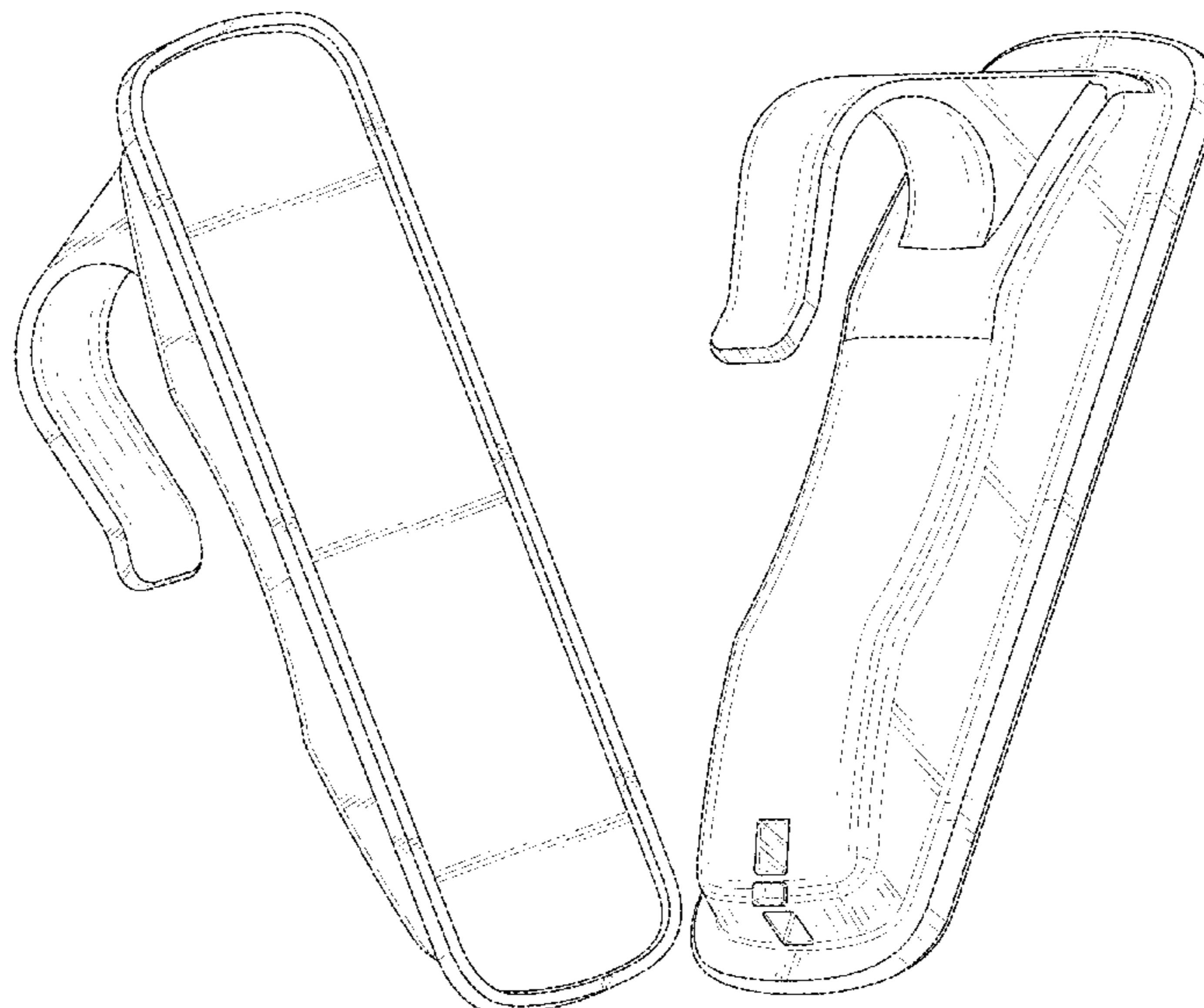
(57) **CLAIM**

The ornamental design for a hand control, as shown and described.

DESCRIPTION

FIG. 1 is front, left, bottom perspective view of the hand control showing my new design;
FIG. 2 is a rear, left, bottom perspective view thereof;
FIG. 3 is a front elevation view thereof;
FIG. 4 is a rear elevation view thereof;
FIG. 5 is a right side elevation view thereof;
FIG. 6 is a left side elevation view thereof;
FIG. 7 is a top plan view thereof; and,
FIG. 8 is a bottom plan view thereof.

1 Claim, 8 Drawing Sheets



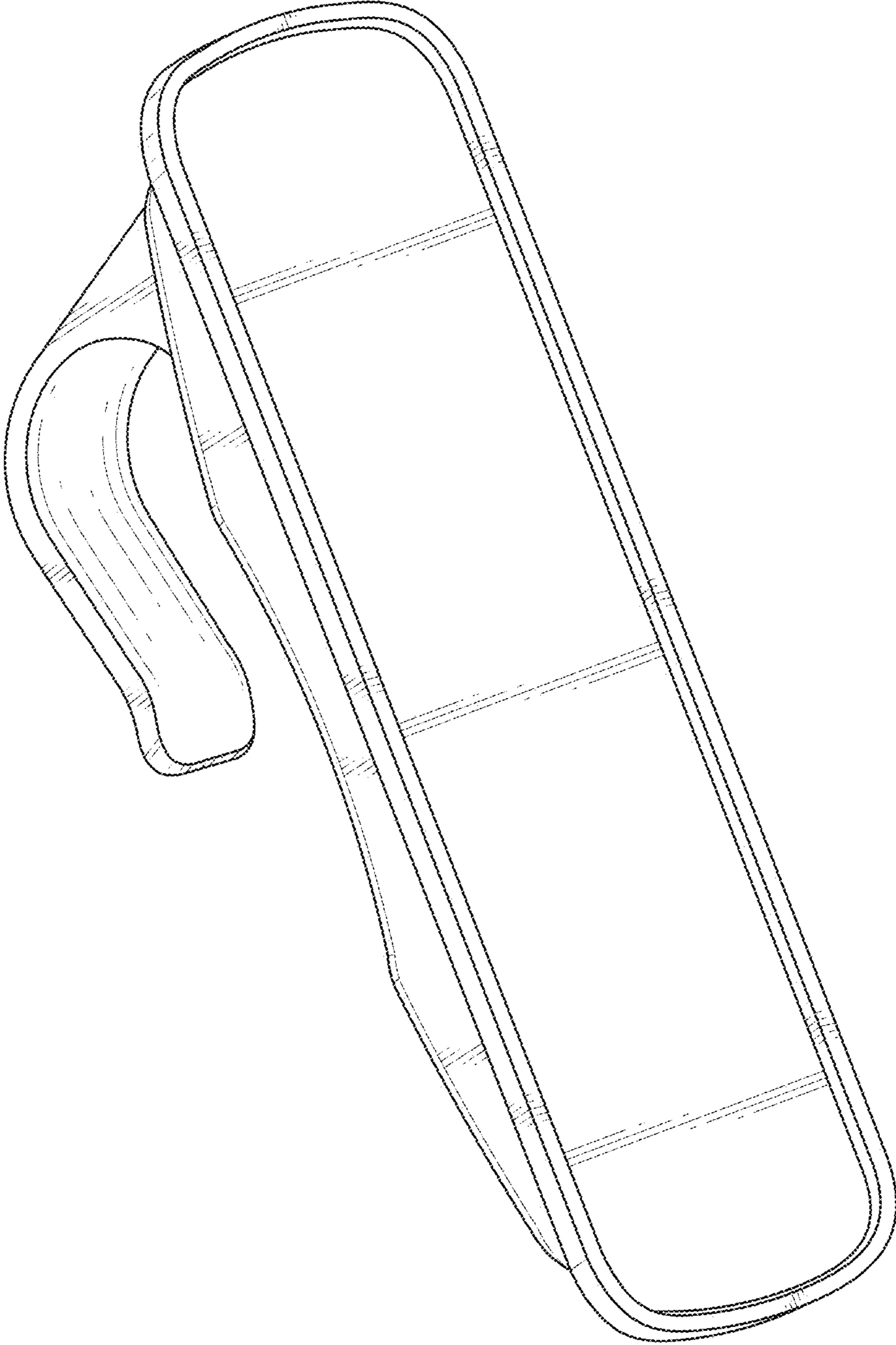


FIG. 1

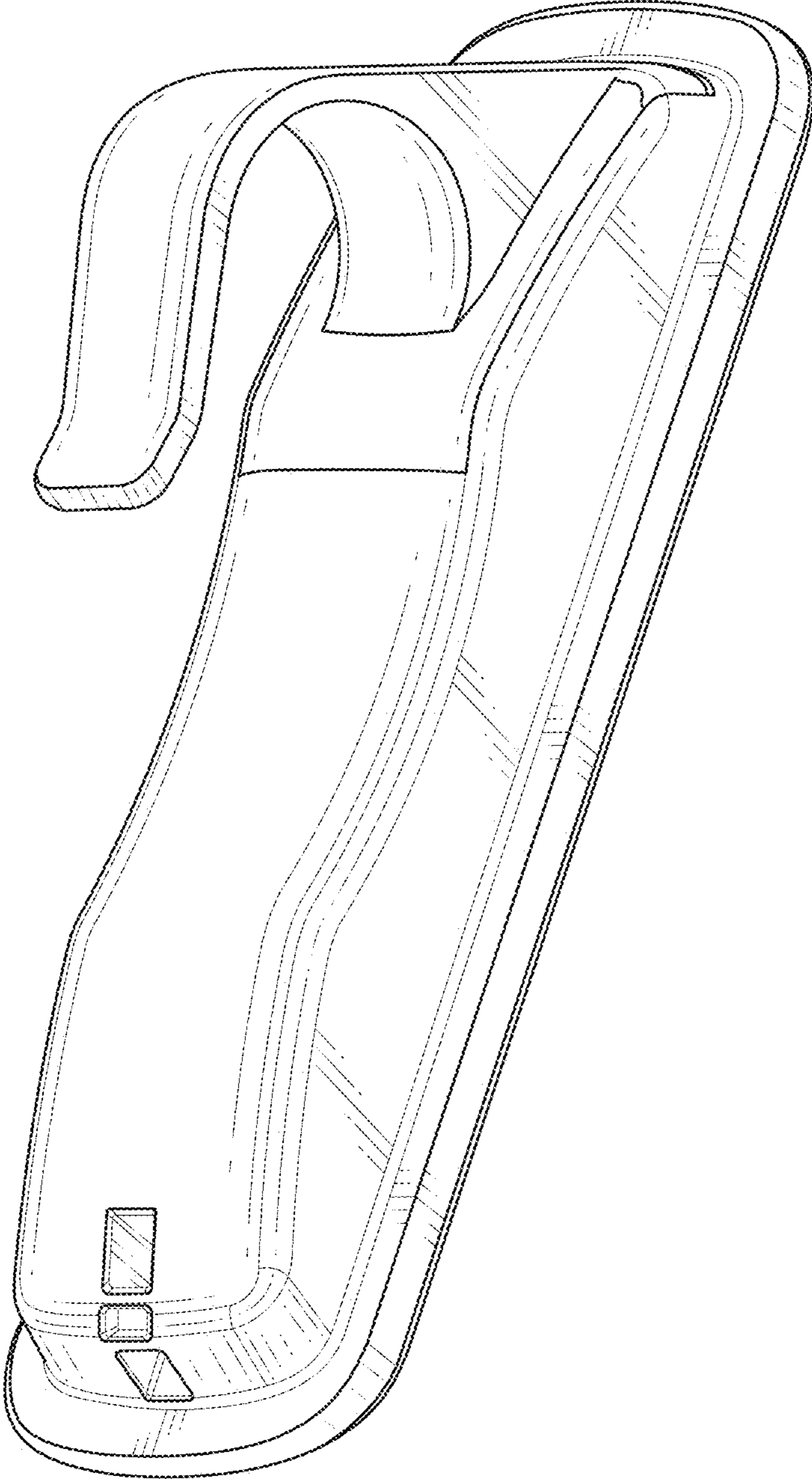


FIG. 2

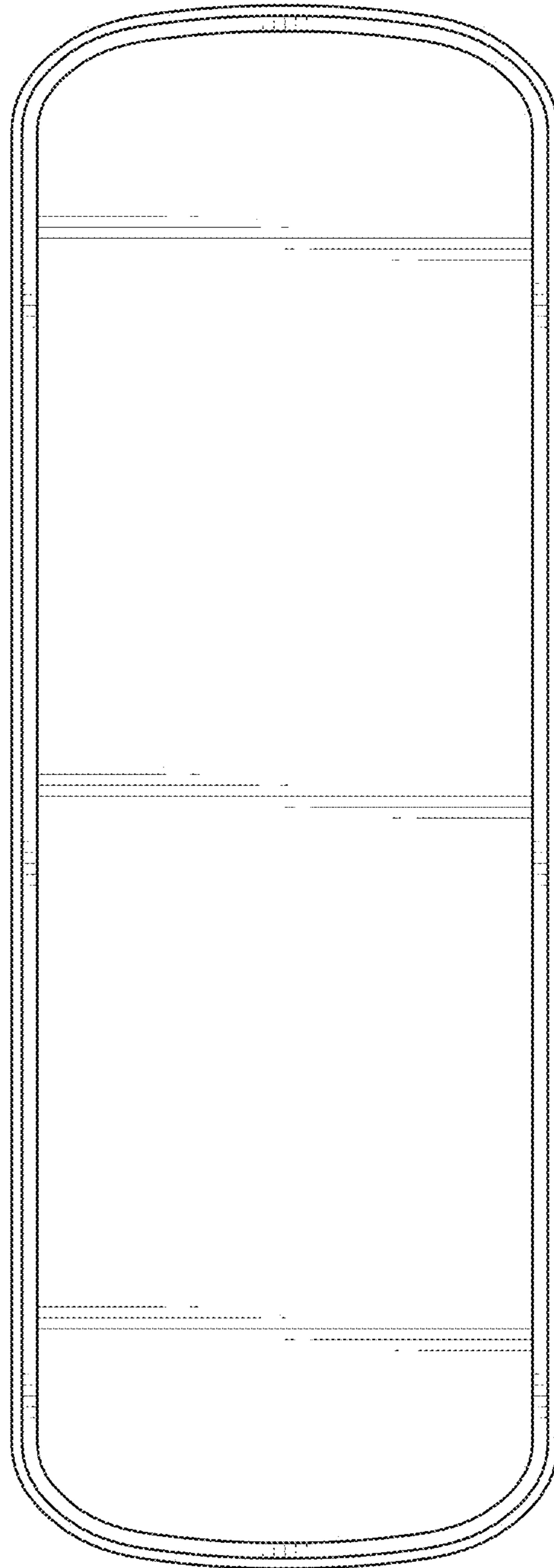


FIG. 3

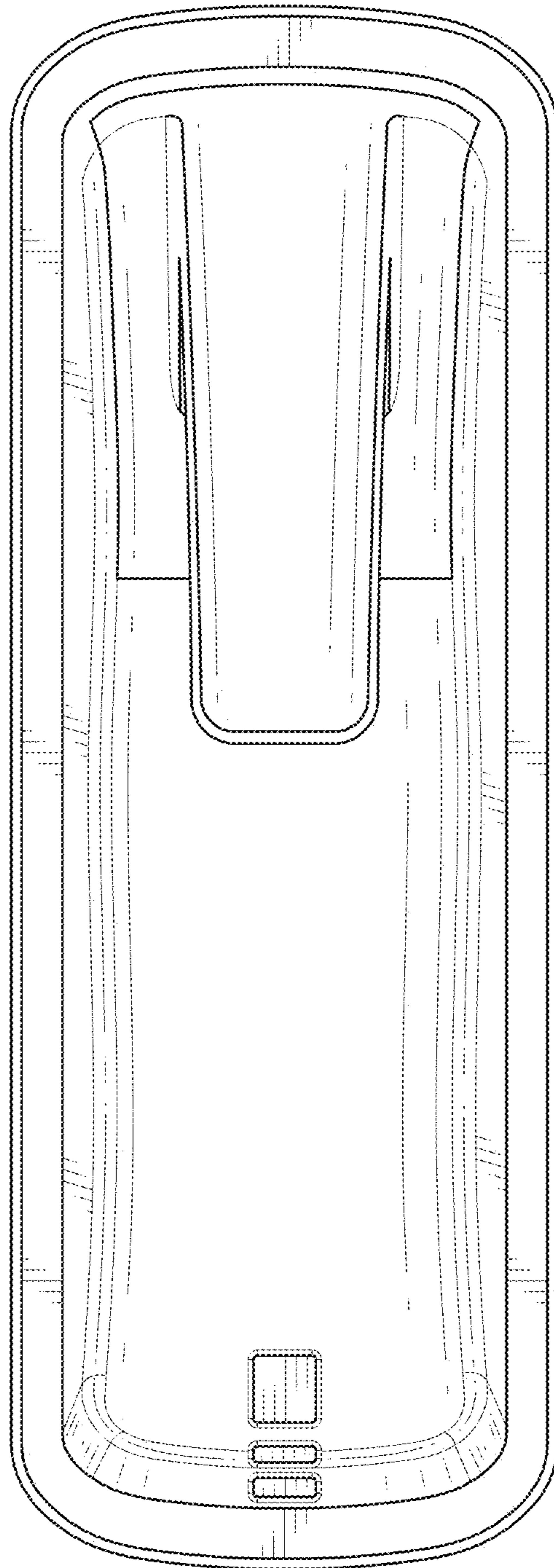


FIG. 4

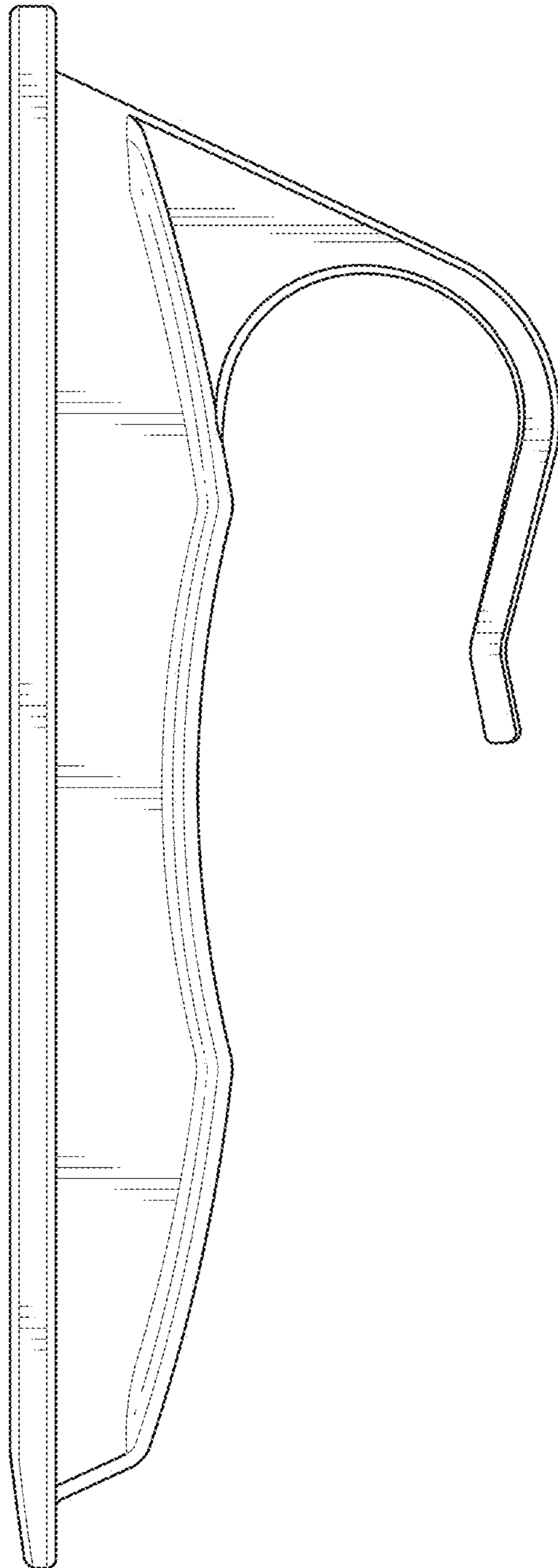


FIG. 5

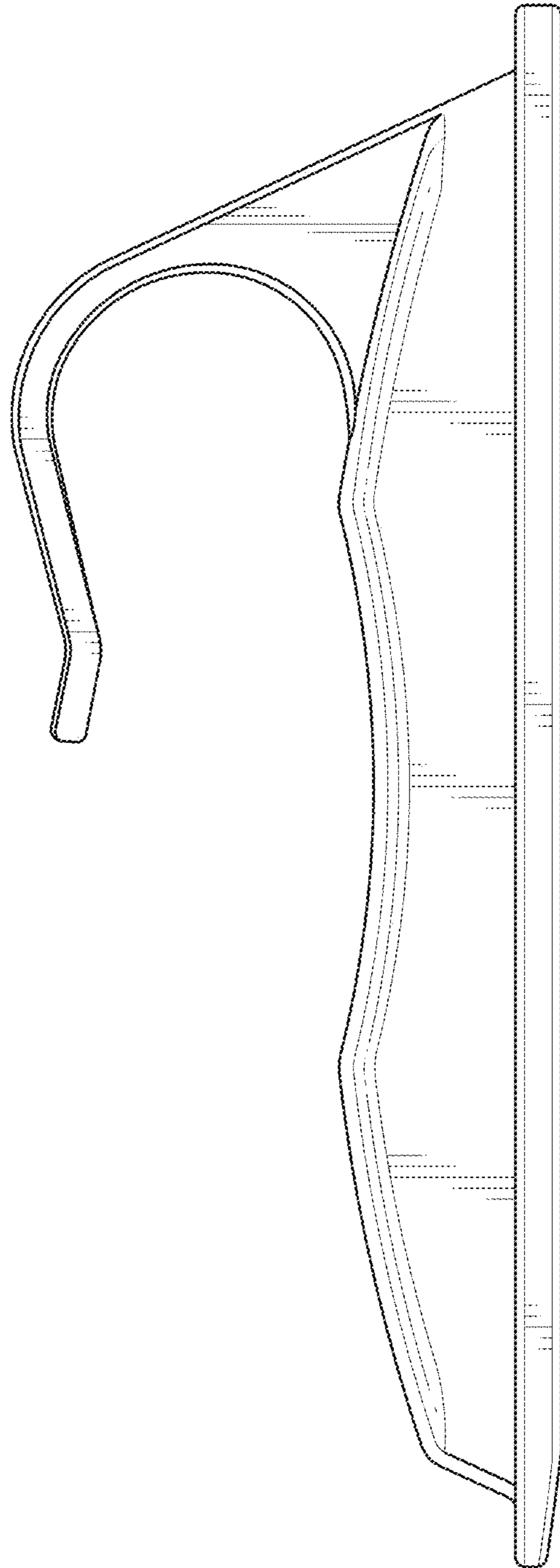


FIG. 6

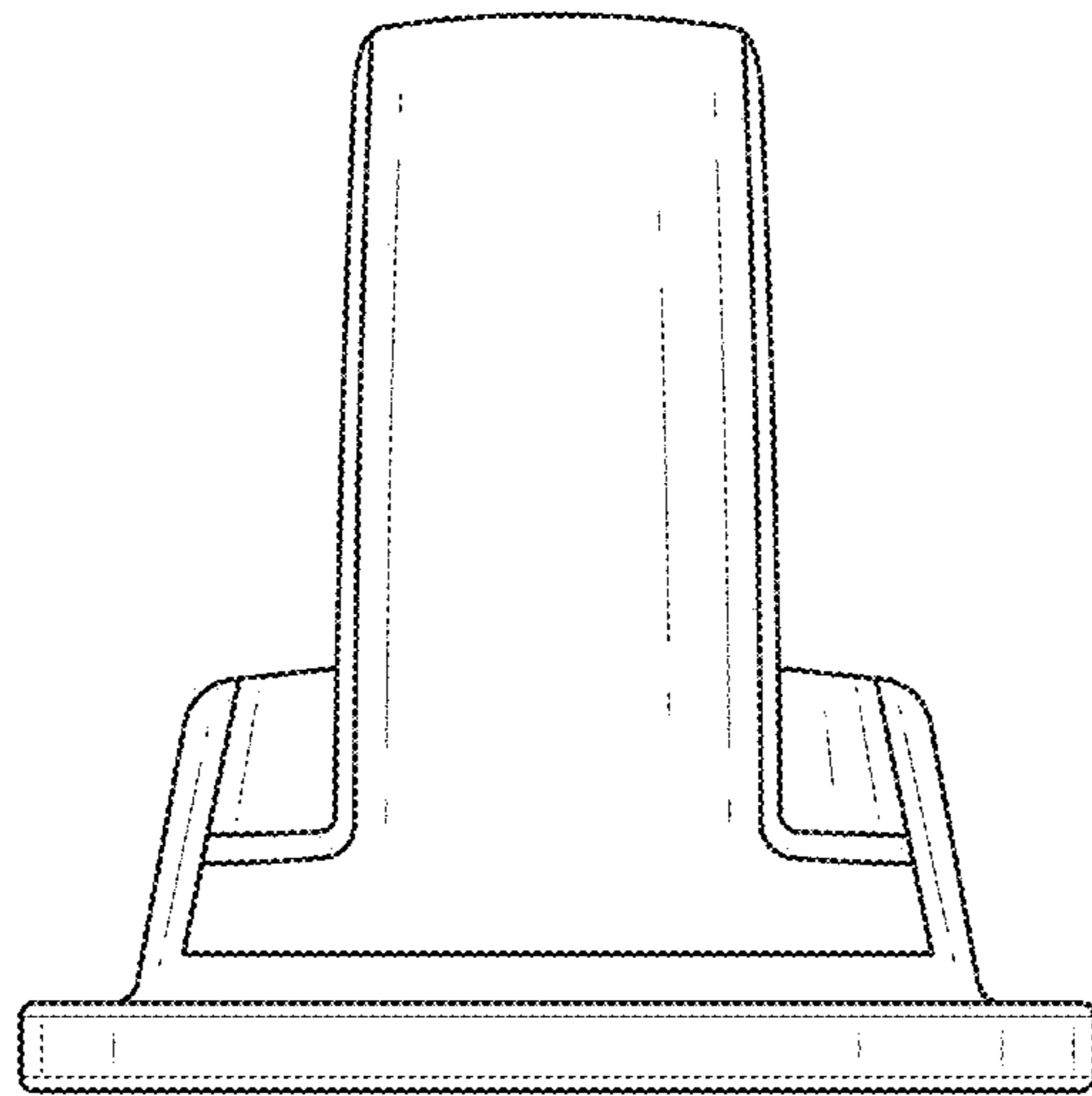


FIG. 7

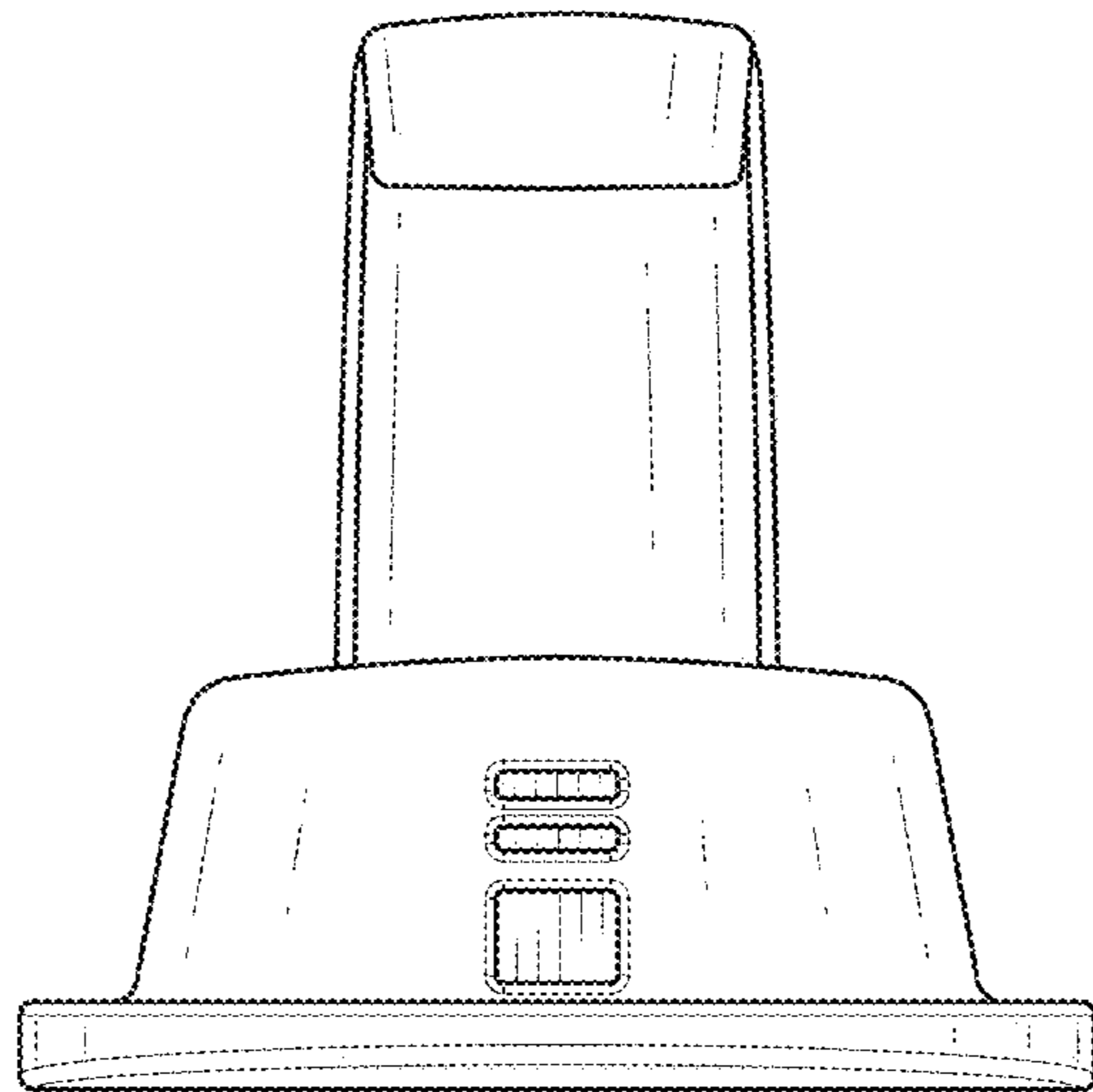


FIG. 8