



US00D937226S

(12) **United States Design Patent** (10) **Patent No.:** **US D937,226 S**
Naumann (45) **Date of Patent:** **** Nov. 30, 2021**

- (54) **ELECTRIC CONNECTION UNIT**
- (71) Applicant: **Wohner GmbH & Co. KG**
Elektrotechnische Systeme, Rodental
(DE)
- (72) Inventor: **Peter Naumann**, Munich (DE)
- (73) Assignee: **Wohner GmbH & Co. KG**
Elektrotechnische Systeme, Rodental
(DE)
- (**) Term: **15 Years**
- (21) Appl. No.: **29/644,780**
- (22) Filed: **Apr. 20, 2018**
- (30) **Foreign Application Priority Data**
Oct. 20, 2017 (EM) 004414720
- (51) **LOC (13) Cl.** **13-03**
- (52) **U.S. Cl.**
USPC **D13/158**
- (58) **Field of Classification Search**
USPC D13/110, 123, 133, 146, 147, 158-160,
D13/173, 178, 184, 199
CPC . H01R 9/22; H01R 9/223; H01R 9/24; H01R
9/26; H01R 9/2608; H01R 9/2633; H01R
13/62
See application file for complete search history.

- (56) **References Cited**
U.S. PATENT DOCUMENTS
D485,810 S * 1/2004 Fiocchi D13/184
D673,509 S * 1/2013 Vanderheyden D13/159
8,446,724 B2 * 5/2013 Shimizu H02G 3/03
361/694
D811,350 S * 2/2018 Huettemeier D13/158
D814,421 S * 4/2018 Curth D13/146
D819,565 S * 6/2018 Baacke D13/110

- D822,620 S * 7/2018 Miholic D13/159
- D823,268 S * 7/2018 Naumann D13/178
- D829,671 S * 10/2018 Miholic D13/159
- D833,392 S * 11/2018 Frye D13/133
- 2010/0202116 A1 * 8/2010 Sofker H05K 7/1474
361/747
- 2010/0268858 A1 * 10/2010 Lee G06F 13/409
710/74
- 2011/0026184 A1 * 2/2011 Tegt H01T 4/02
361/118

FOREIGN PATENT DOCUMENTS

- DE 102008031917 A1 * 1/2010 H01C 7/126
- * cited by examiner

Primary Examiner — Shawn T Gingrich
(74) *Attorney, Agent, or Firm* — Millen, White, Zelano & Branigan, P.C.; William Nixon

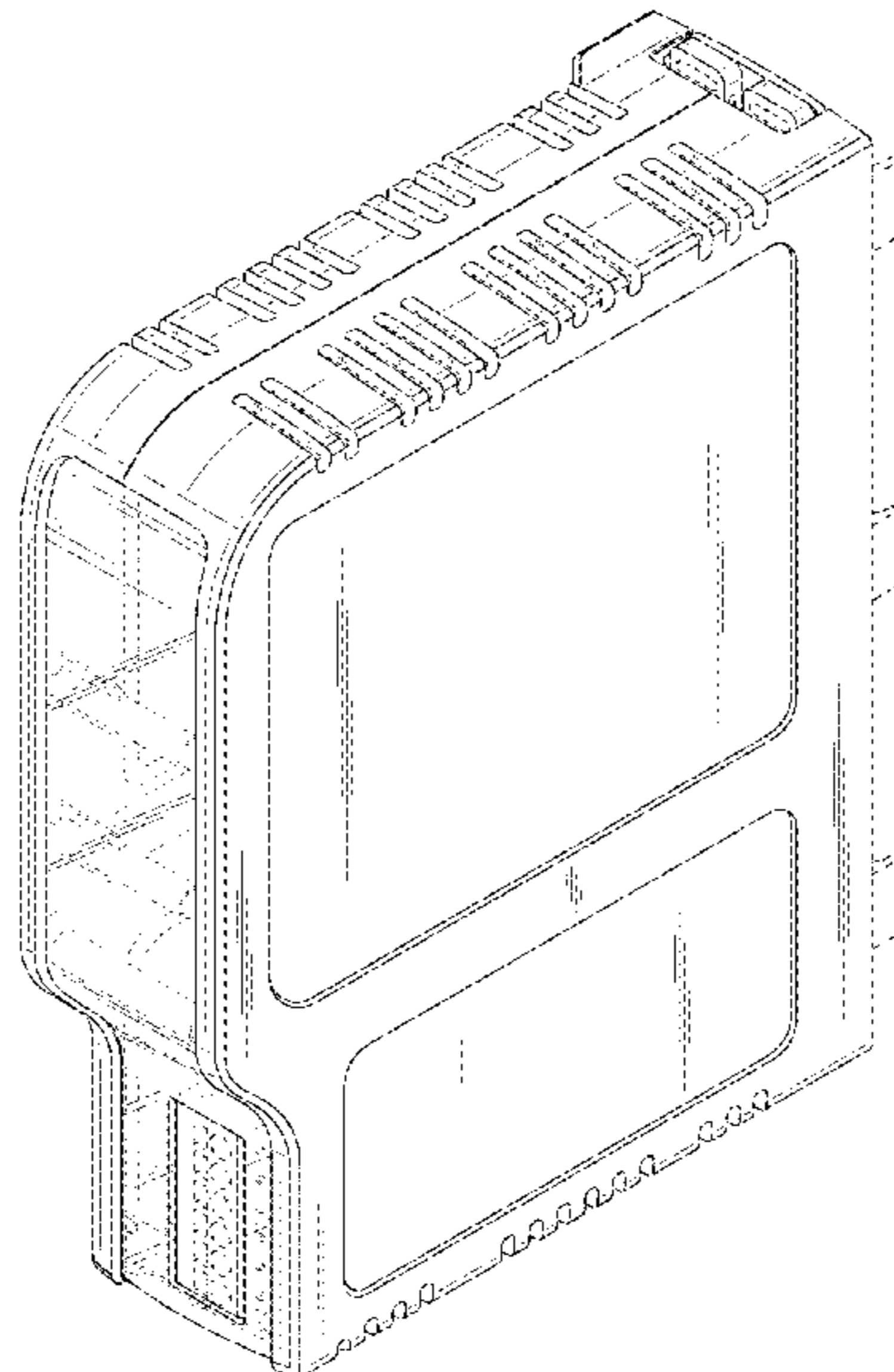
(57) **CLAIM**

The ornamental design for an electric connection unit, as shown and described.

DESCRIPTION

FIG. 1 illustrates a perspective view of an electric connection unit showing the design.
FIG. 2 illustrates a front view of the electric connection unit.
FIG. 3 illustrates a rear view of the electric connection unit.
FIG. 4 illustrates a left side elevational view of the electric connection unit.
FIG. 5 illustrates a right side elevational view of the electric connection unit.
FIG. 6 illustrates a top plan view of the electric connection unit; and,
FIG. 7 illustrates a bottom plan view of the electric connection unit.
The broken lines in the drawings depict portions of the electric connection unit that form no part of the claimed design.

1 Claim, 7 Drawing Sheets



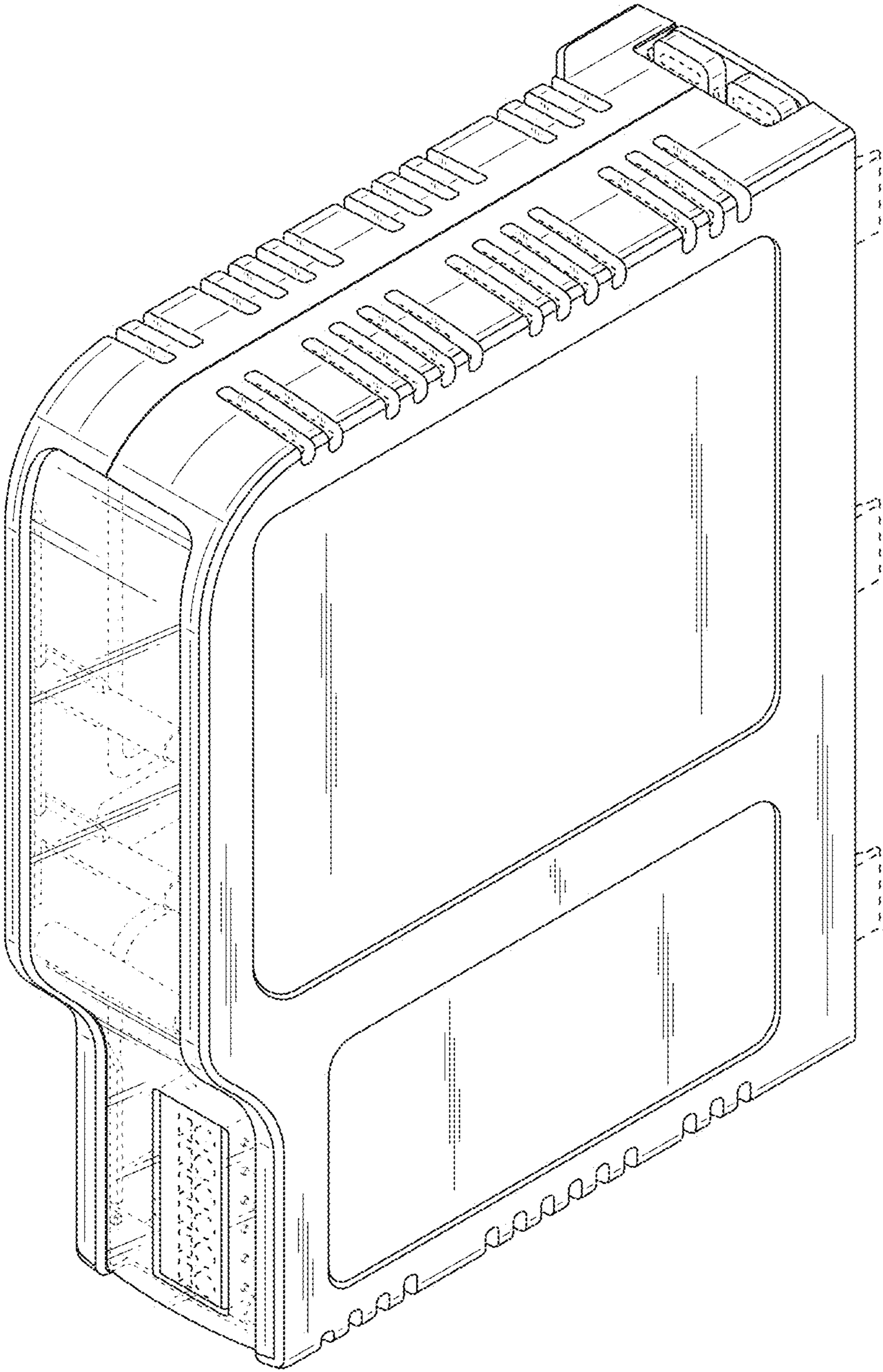


FIG. 1

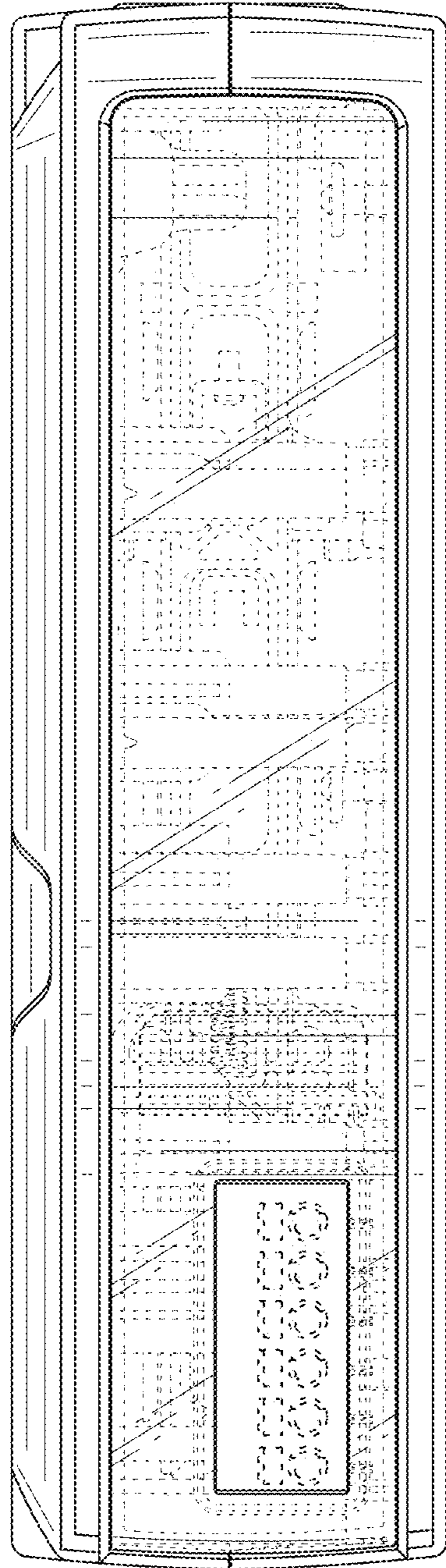


FIG. 2

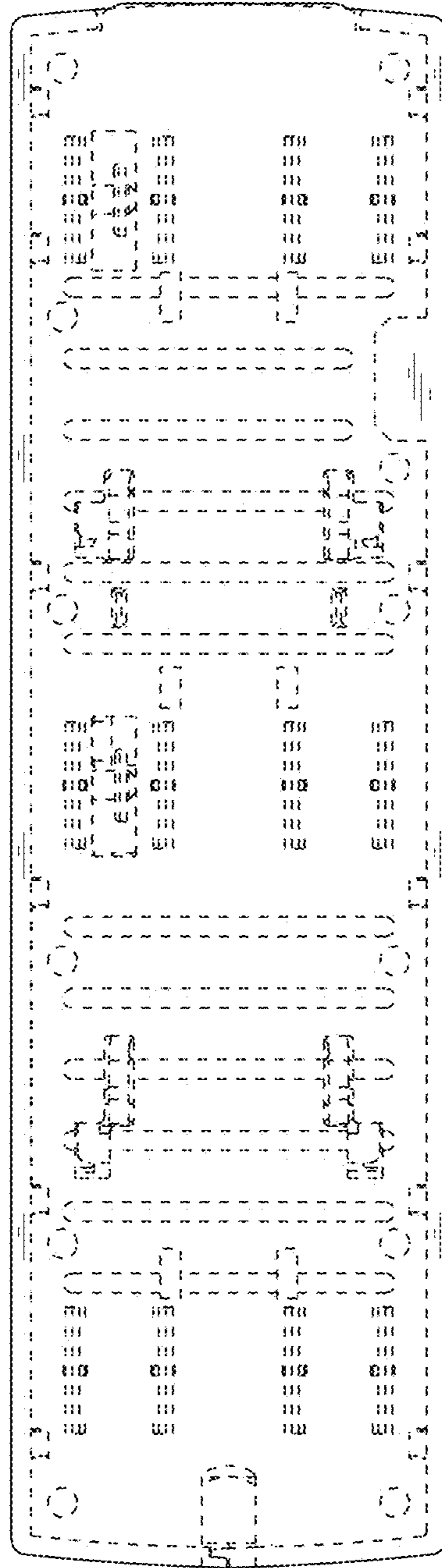


FIG. 3

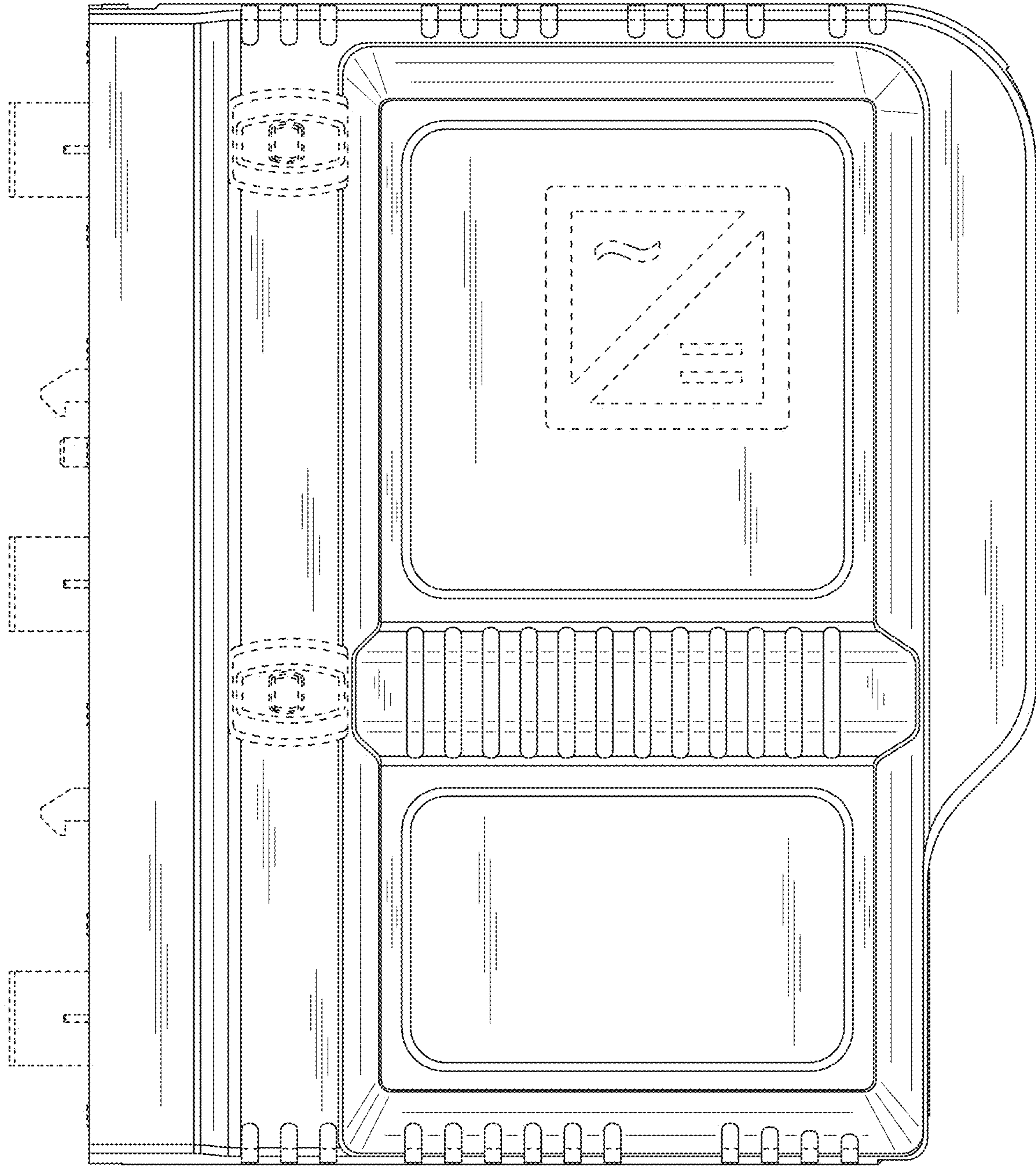


FIG. 4

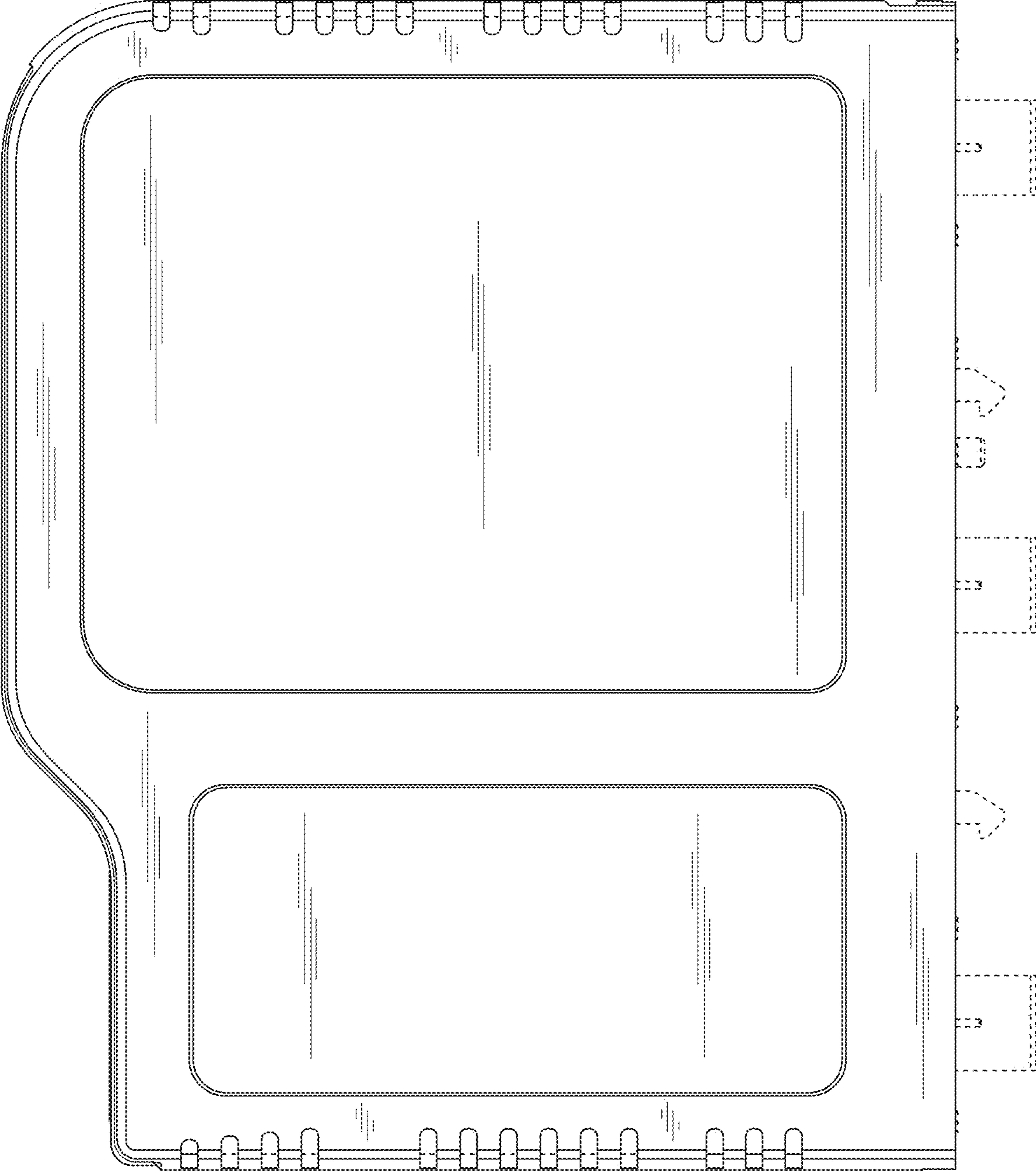


FIG. 5

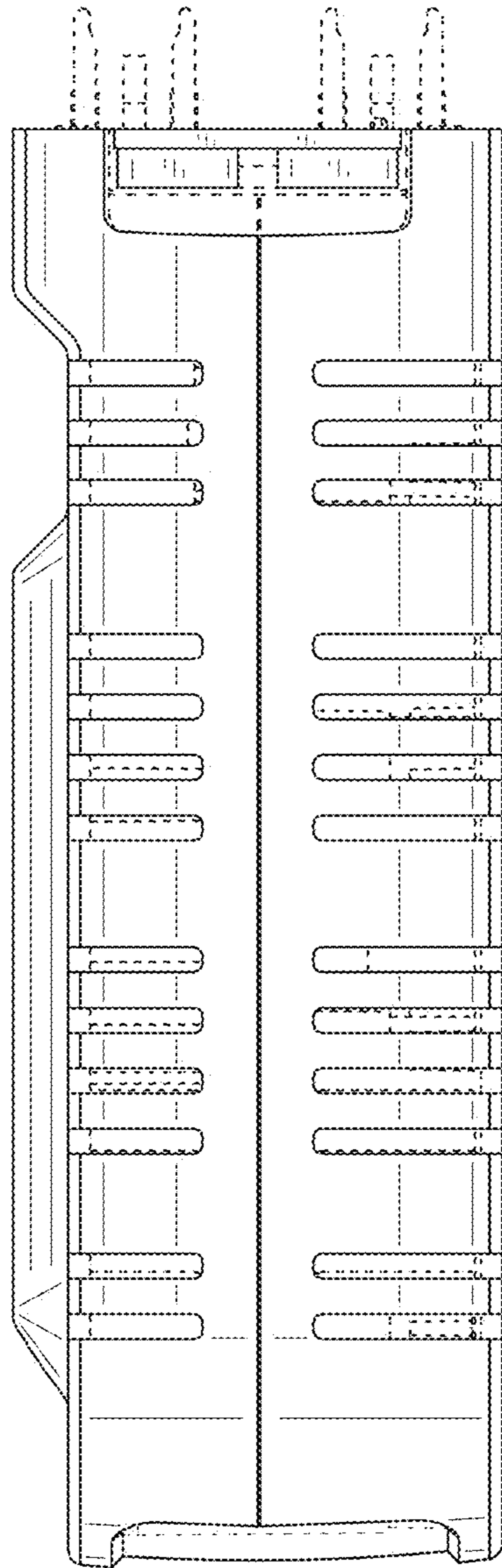


FIG. 6

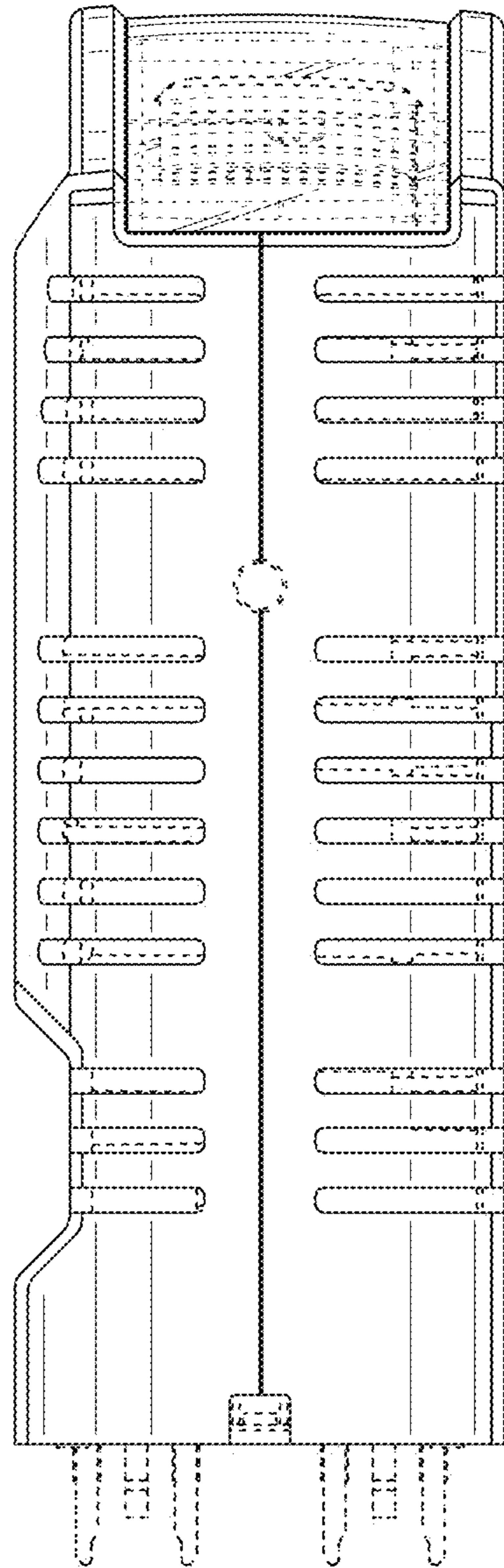


FIG. 7