



US00D937225S

(12) **United States Design Patent** (10) **Patent No.:** **US D937,225 S**
Choi (45) **Date of Patent:** **** Nov. 30, 2021**

(54) **CABLE HOLDER** 7,854,750 B2 * 12/2010 Bonutti A61B 17/0487
606/232
(71) Applicant: **LG ELECTRONICS INC., Seoul** D679,581 S * 4/2013 Liu D8/395
(KR) D786,048 S * 5/2017 Grewal F16G 11/14
D8/356
(72) Inventor: **Wuram Choi, Seoul (KR)** D795,820 S * 8/2017 Wengreen D13/155
D836,561 S * 12/2018 Hung D13/155
D840,947 S * 2/2019 Pierce D13/155
(73) Assignee: **LG ELECTRONICS INC., Seoul** D871,894 S * 1/2020 Brett D8/356
(KR) D919,577 S * 5/2021 Alexander D13/139.4

(**) Term: **15 Years**

(21) Appl. No.: **29/730,802**

(22) Filed: **Apr. 8, 2020**

(30) **Foreign Application Priority Data**

Nov. 28, 2019 (KR) 30-2019-0057436

(51) **LOC (13) Cl.** **13-03**

(52) **U.S. Cl.**
USPC **D13/155**

(58) **Field of Classification Search**
USPC D13/123, 133, 139.1, 139.2, 139.4, 152,
D13/154, 155, 156, 158, 184; D8/354
See application file for complete search history.

(56) **References Cited**

U.S. PATENT DOCUMENTS

5,671,508 A * 9/1997 Murai F16G 11/101
24/115 K
D419,528 S * 1/2000 Hakoda D13/154
D452,138 S * 12/2001 Murata D8/383
D477,776 S * 7/2003 Pontaoe D8/396
D561,566 S * 2/2008 Perez Delgado D8/358

* cited by examiner

Primary Examiner — Jennifer O King
(74) *Attorney, Agent, or Firm* — Birch, Stewart, Kolasch
& Birch, LLP

(57) **CLAIM**

I claim the ornamental design for a cable holder, as shown
and described.

DESCRIPTION

FIG. 1 is a perspective view of a cable holder showing the
new design;
FIG. 2 is a front elevation view thereof;
FIG. 3 is a rear elevation view thereof;
FIG. 4 is a left-side elevation view thereof;
FIG. 5 is a right-side elevation view thereof;
FIG. 6 is a top plan view thereof;
FIG. 7 is a bottom plan view thereof;
FIG. 8 is a perspective view in a disassembled state thereof;
and,
FIG. 9 is a perspective view in a state of use thereof.
Broken lines illustrate environmental condition only and
form no part of the claimed design.

1 Claim, 9 Drawing Sheets

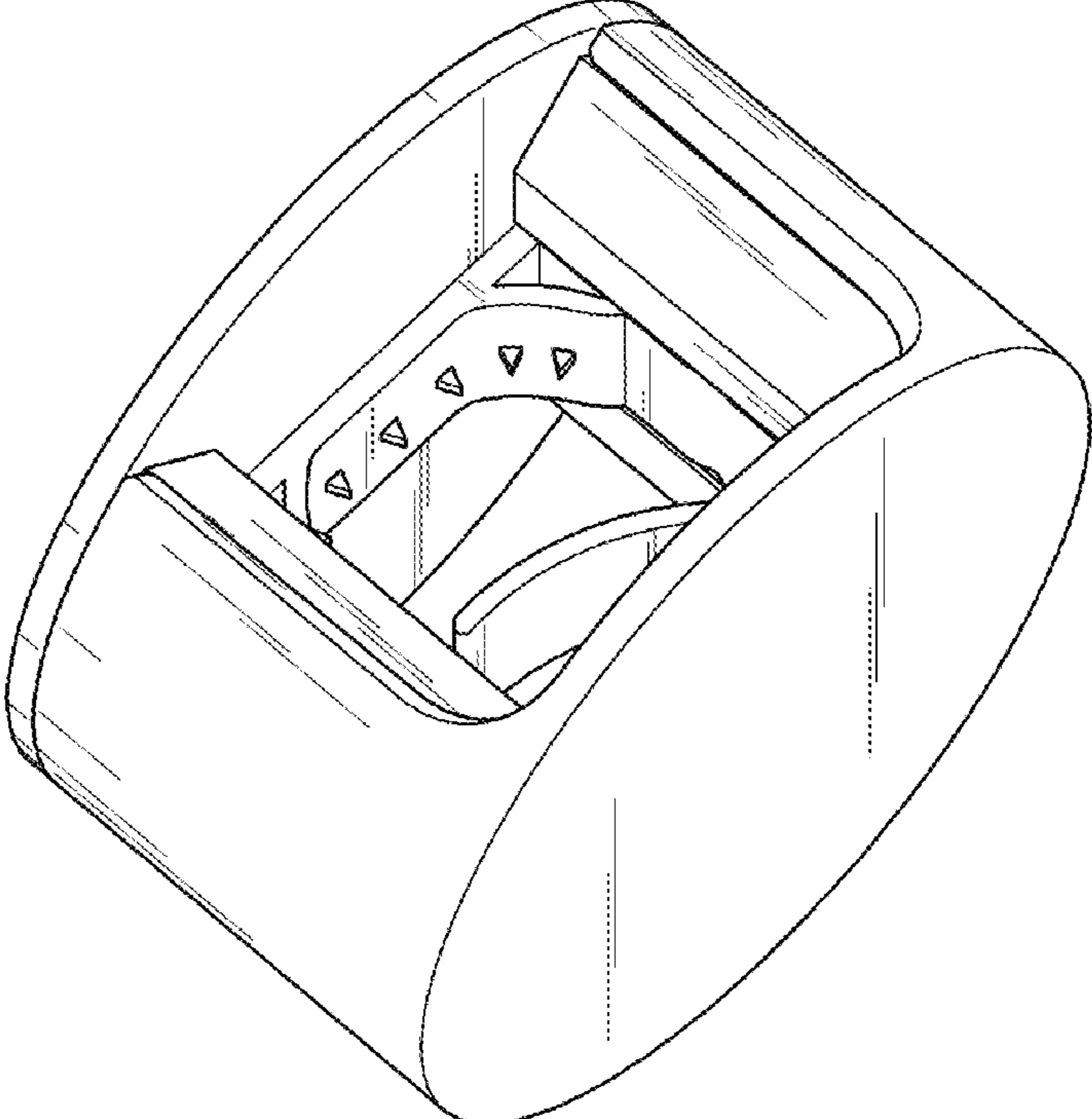


FIG. 1

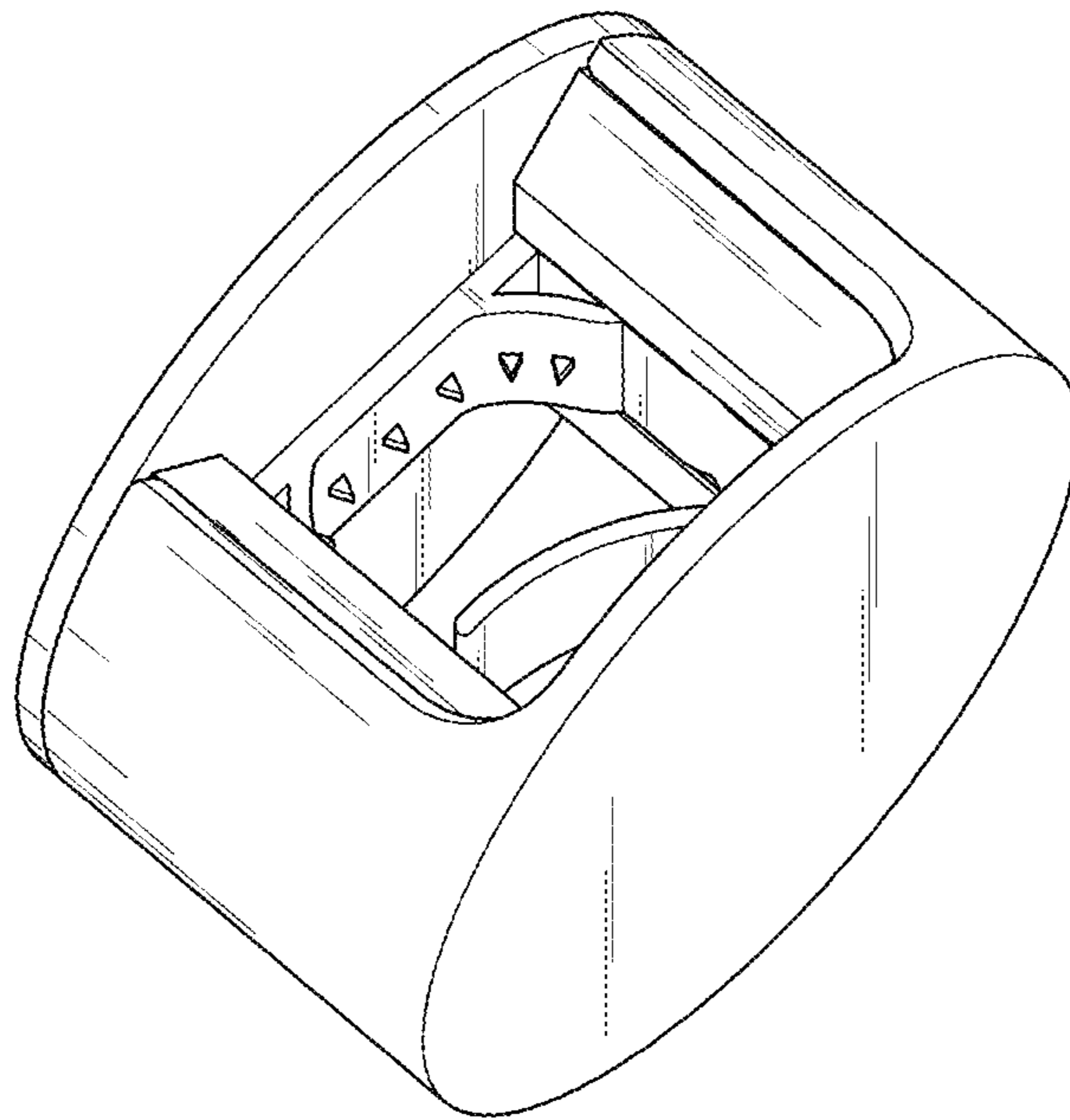


FIG. 2

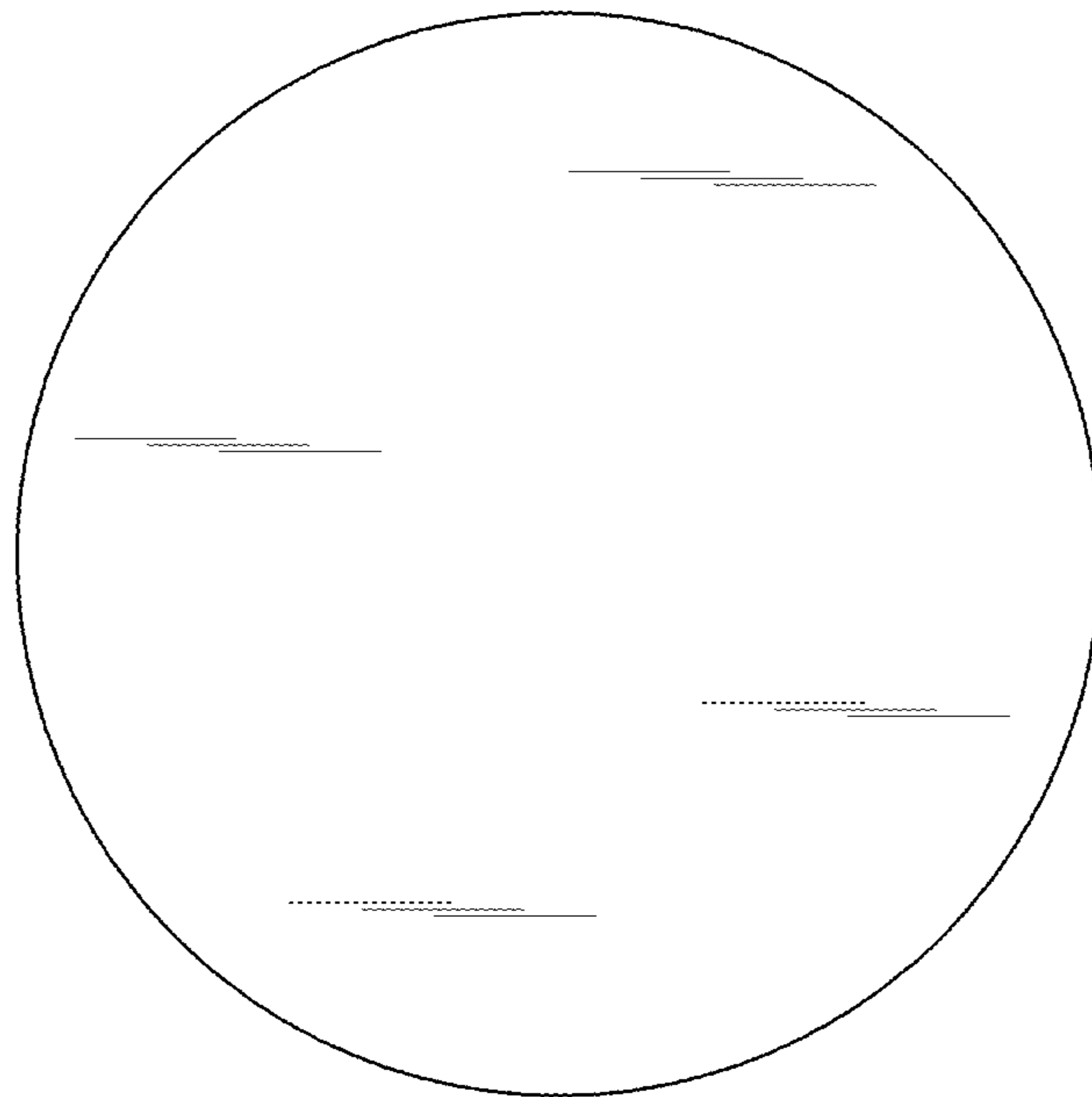


FIG. 3

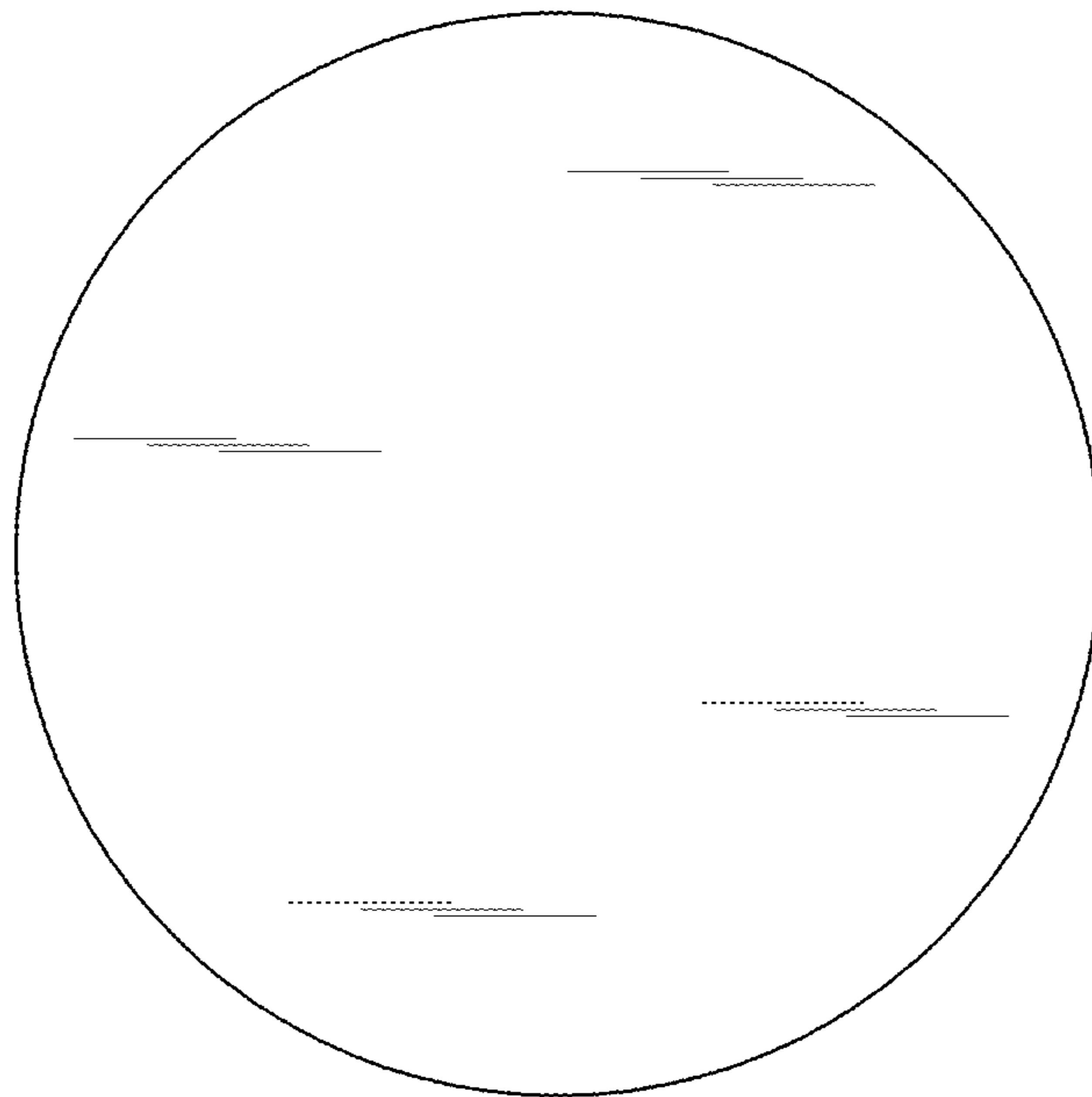


FIG. 4

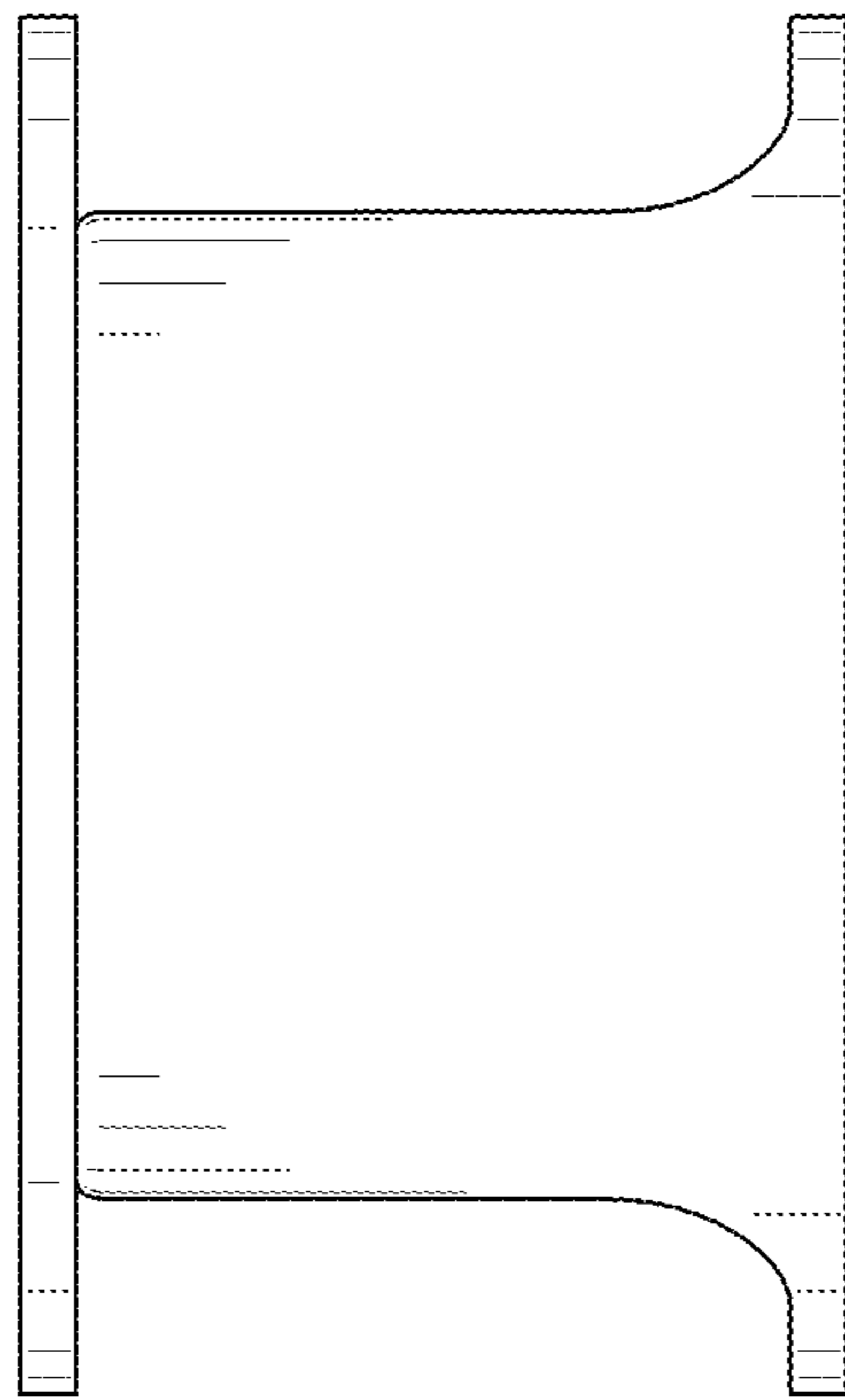


FIG. 5

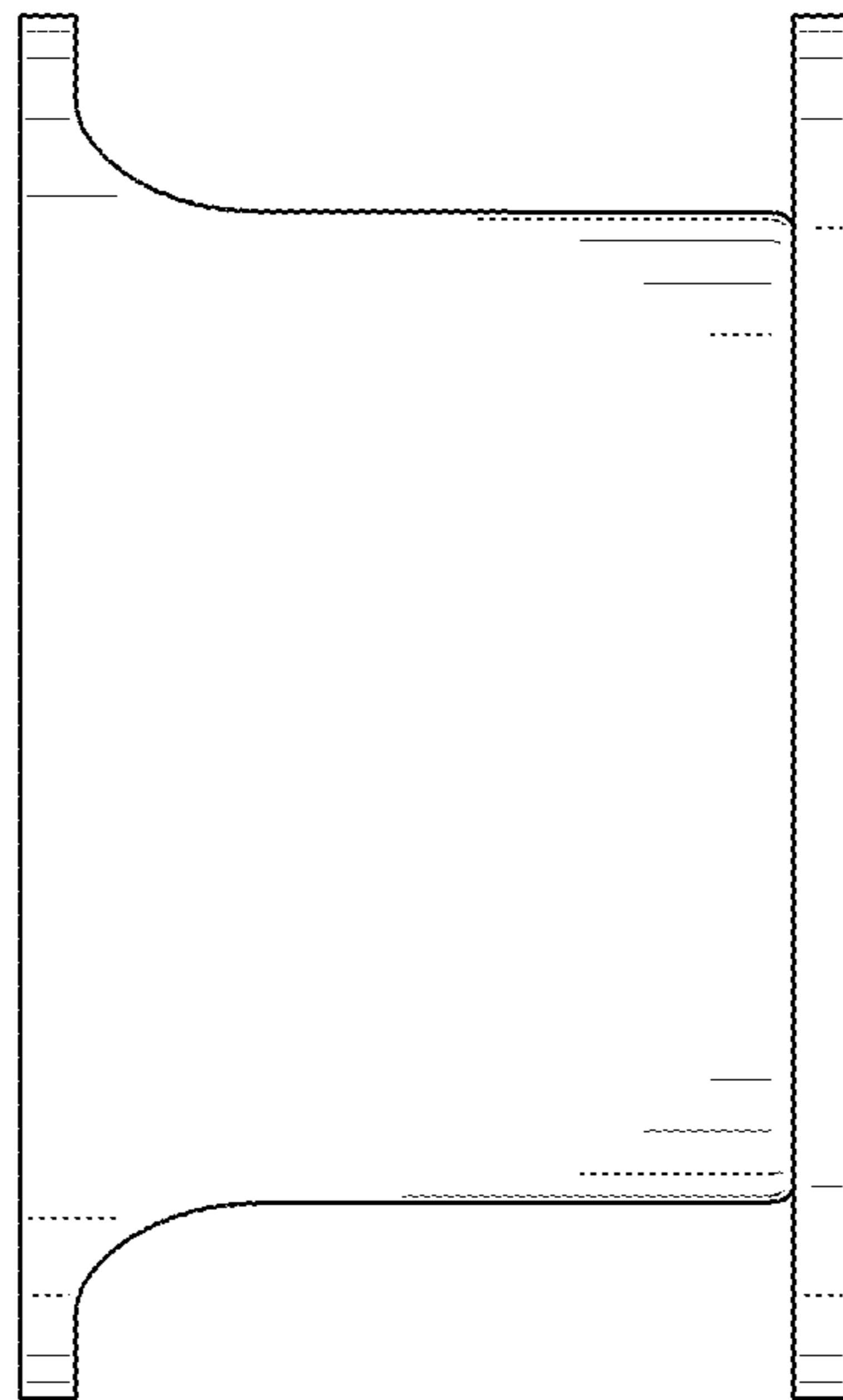


FIG. 6

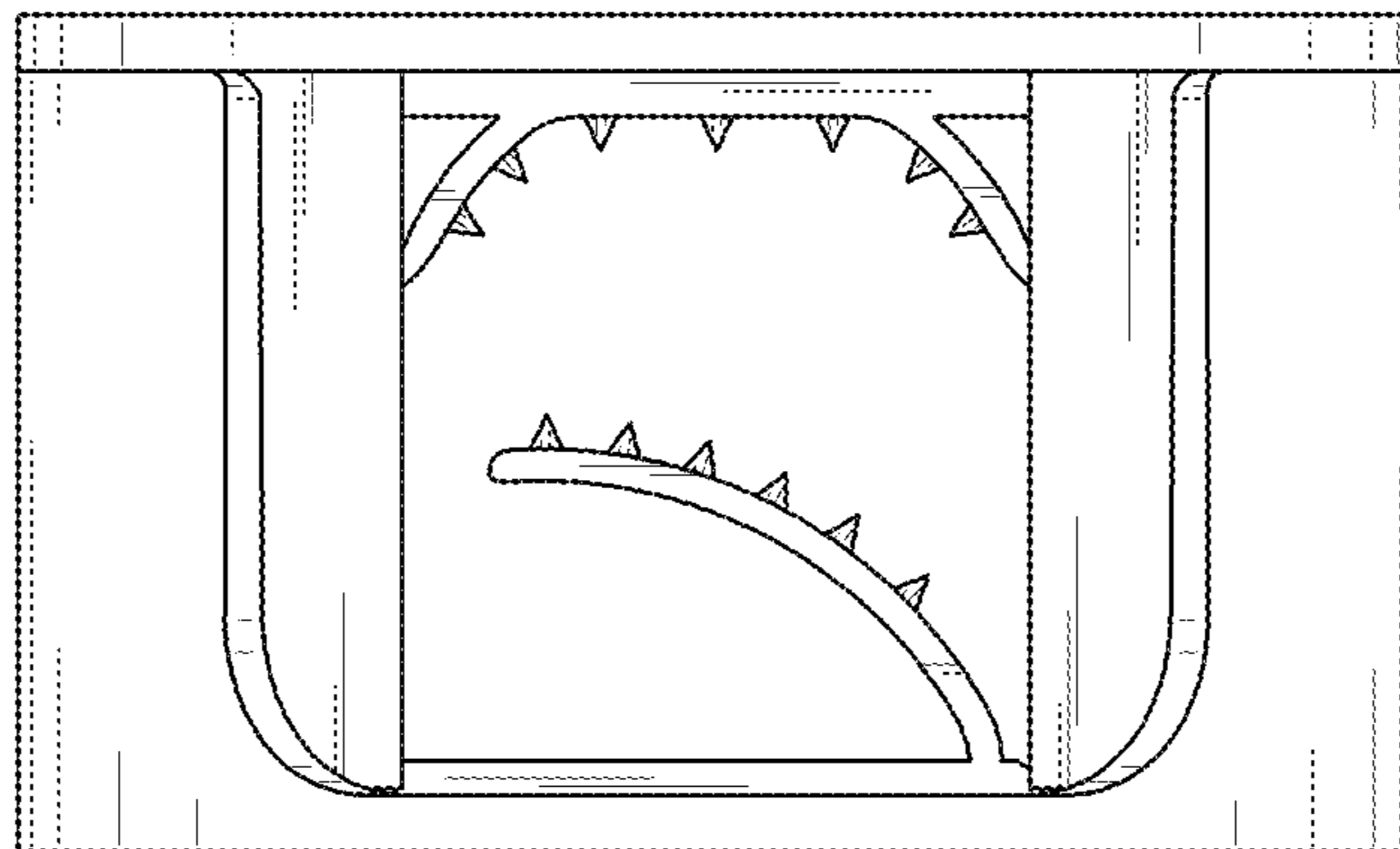


FIG. 7

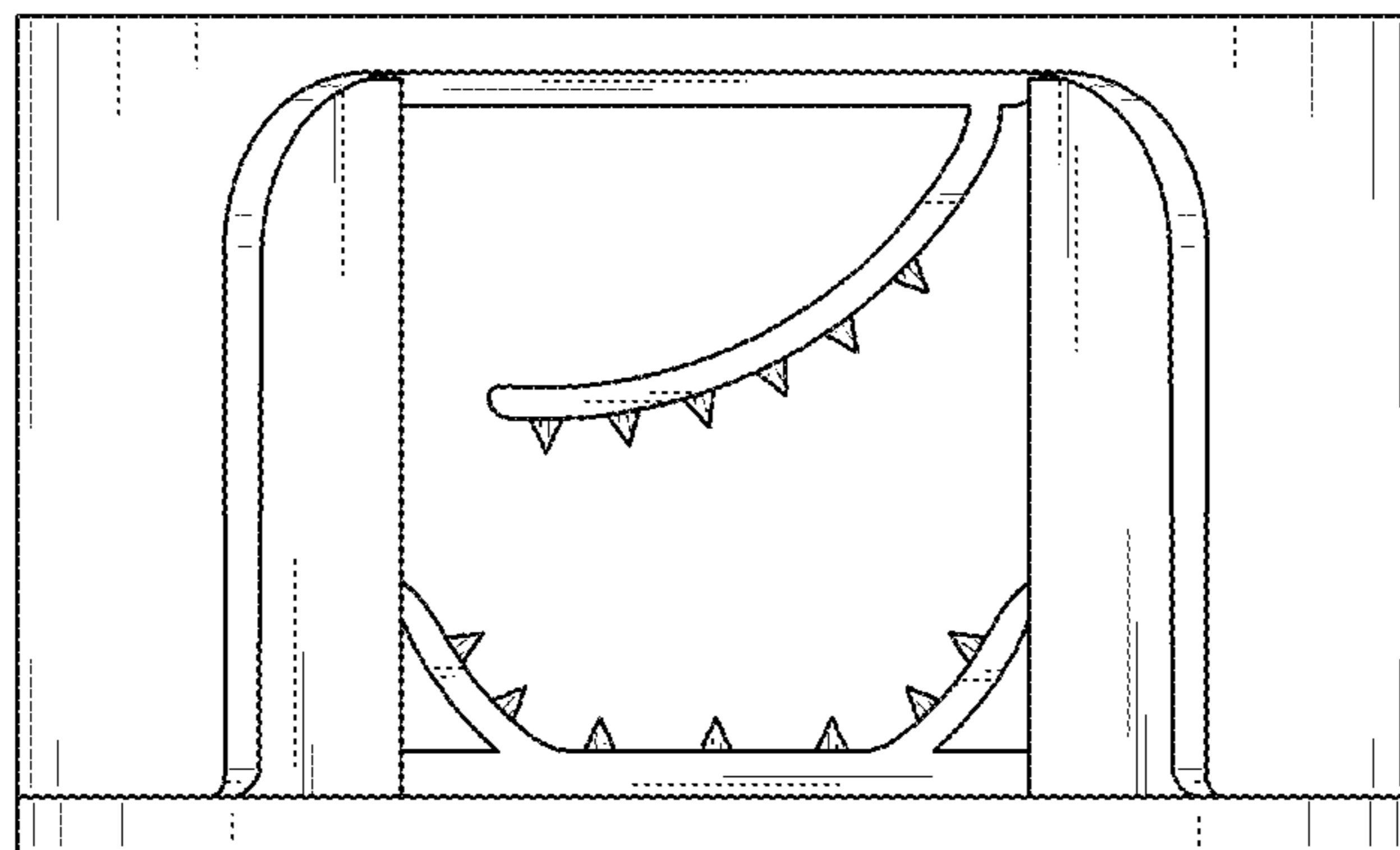


FIG. 8

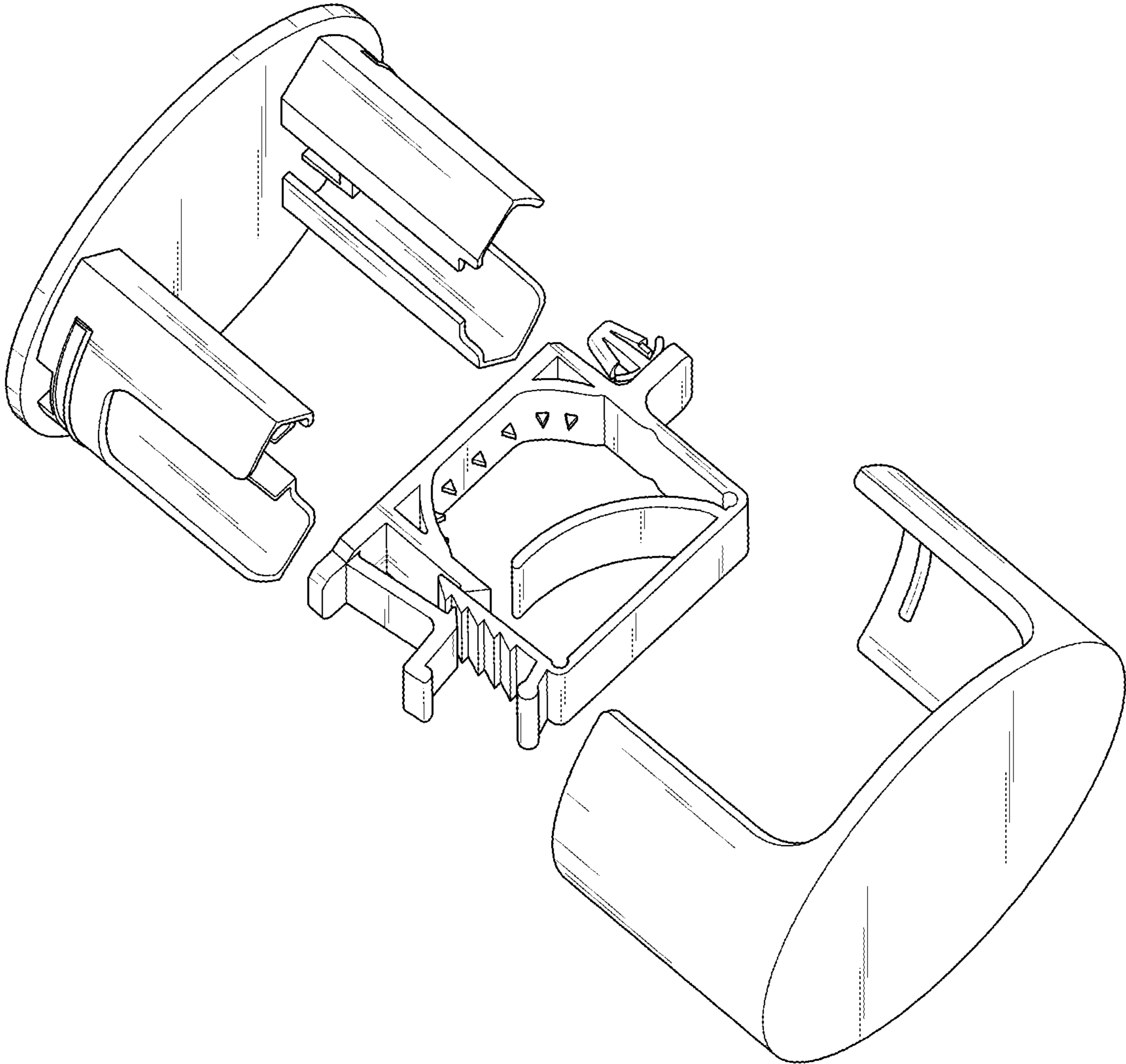


FIG. 9

