



US00D937222S

(12) **United States Design Patent** (10) **Patent No.:** **US D937,222 S**
Goldin et al. (45) **Date of Patent:** **** Nov. 30, 2021**

(54) **ELECTRICAL CONTACT**

D307,744 S 5/1990 Ernest
D362,841 S 10/1995 Roza
D433,389 S 11/2000 Decosse
6,376,126 B1 4/2002 Faust et al.

(71) Applicant: **Inventus Power, Inc.**, Woodridge, IL (US)

(Continued)

(72) Inventors: **Elijah Brett Goldin**, Chicago, IL (US);
Timothy James Vallaro, Batavia, IL (US); **Daniel Paul Rose**, Wheaton, IL (US); **Marcelo Nicosia**, Oak Park, IL (US); **Horace C. Rodriguez**, Schaumburg, IL (US)

FOREIGN PATENT DOCUMENTS

CN 201922162396 7/2020
KR 20080056978 A 6/2008
WO 08023199 A1 2/2008

(73) Assignee: **Inventus Power, Inc.**, Woodridge, IL (US)

OTHER PUBLICATIONS

Eaglepicher Technologies, "Rechargeable Conformal Battery", visited on Feb. 9, 2020 at <<https://www.eaglepicher.com/sites/default/files/SLB-101%20061419.pdf>>, pp. 2.

(**) Term: **15 Years**

(Continued)

(21) Appl. No.: **29/756,873**

Primary Examiner — Shawn T Gingrich

(22) Filed: **Oct. 30, 2020**

(74) *Attorney, Agent, or Firm* — Banner & Witcoff, Ltd.

(51) **LOC (13) Cl.** **13-03**

(52) **U.S. Cl.**

USPC **D13/154**; D13/119

(58) **Field of Classification Search**

USPC D13/103, 107, 118–120, 123, 133, 146,
D13/147, 149, 154, 184, 199

CPC H01M 10/61; H01M 10/65; H01M 2/02;
H01M 2/10; H01M 10/02; H02J 7/00;
H01H 9/00; H01R 13/05; H01R 13/62

See application file for complete search history.

(57) **CLAIM**

The ornamental design for an electrical contact, as shown and described.

DESCRIPTION

FIG. 1 is a top, rear perspective view of the claimed design for an electrical contact;
FIG. 2 is a rear view thereof;
FIG. 3 is a front view thereof;
FIG. 4 is a right side view thereof;
FIG. 5 is a left side view thereof;
FIG. 6 is a top view thereof; and,
FIG. 7 is a bottom view thereof.

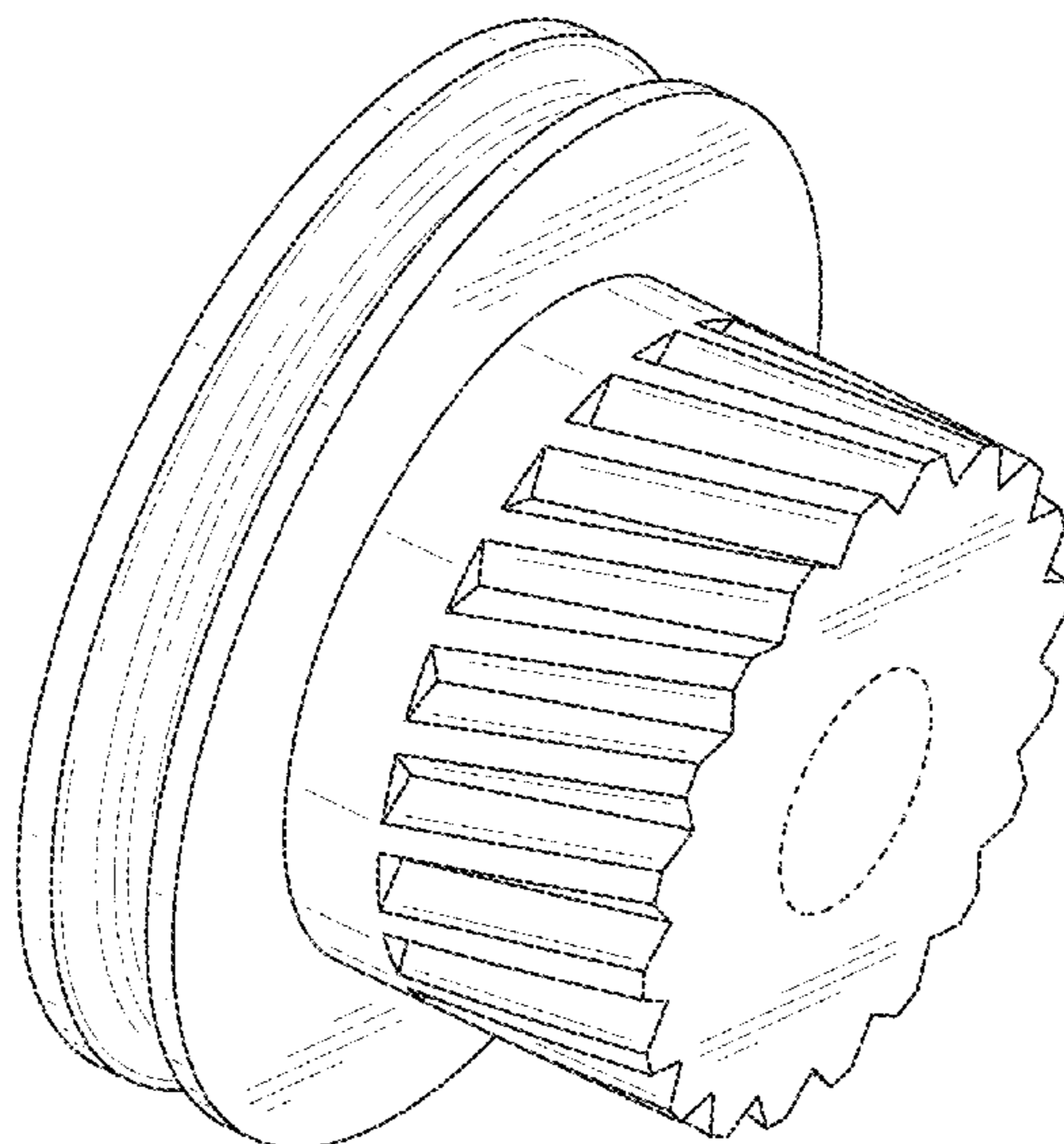
The broken lines immediately adjacent to the shaded area depict boundaries of the claimed design and form no part thereof. The unshaded region within the shaded area that is demarcated by broken lines forms no part of the claimed design.

(56) **References Cited**

U.S. PATENT DOCUMENTS

D56,741 S * 12/1920 Cook D13/119
1,840,240 A * 1/1932 Ludewig H01M 50/20
429/96
2,796,495 A 6/1957 Keitel
3,993,507 A 11/1976 Hardigg
4,053,685 A 10/1977 Rowley et al.
4,346,151 A 8/1982 Uba et al.
4,658,498 A 4/1987 Yamaura et al.
D298,122 S 10/1988 Cronstrom et al.

1 Claim, 5 Drawing Sheets



(56)

References Cited

U.S. PATENT DOCUMENTS

6,410,184 B1 6/2002 Horiuchi et al.
 6,528,204 B1 3/2003 Hikmet et al.
 D561,704 S 2/2008 Collins
 D571,310 S 6/2008 Collins
 D585,376 S 1/2009 Badger
 D605,599 S * 12/2009 Wong D13/133
 D651,569 S 1/2012 Kiely
 D654,880 S 2/2012 Lam
 8,192,863 B2 6/2012 Best et al.
 D691,951 S 10/2013 Evers et al.
 8,795,880 B2 8/2014 Matsubara
 8,860,372 B2 10/2014 Guang et al.
 8,927,137 B2 1/2015 Ayub et al.
 D725,612 S 3/2015 Schlegel et al.
 D736,722 S 8/2015 Chu
 D744,432 S 12/2015 Kim et al.
 9,564,761 B2 2/2017 Hopfer, III et al.
 9,780,421 B2 10/2017 Palanchon et al.
 D805,041 S 12/2017 Koskinen
 10,056,584 B2 8/2018 Hwang
 10,134,528 B2 11/2018 Stockman
 D840,956 S 2/2019 Wiese et al.
 10,388,939 B2 8/2019 Urano et al.
 D863,222 S 10/2019 Kimmel
 D880,434 S * 4/2020 Woo D13/174
 D887,376 S * 6/2020 Andersson D13/174
 D892,750 S 8/2020 Dimberg et al.

D908,097 S * 1/2021 Jung D13/151
 D908,639 S * 1/2021 Jung D13/151
 D908,643 S 1/2021 Dimberg et al.
 D911,933 S * 3/2021 Dong D13/104
 D911,984 S 3/2021 Andersson et al.
 2008/0241677 A1 10/2008 Garcia Alberola
 2009/0291361 A1 11/2009 Scorziello
 2013/0161069 A1 * 6/2013 Erdle H01R 4/30
 174/135
 2013/0295434 A1 11/2013 Ayub et al.
 2015/0072217 A1 * 3/2015 Kim H01M 50/20
 429/156
 2019/0067982 A1 * 2/2019 Cano H02J 7/35
 2019/0237832 A1 8/2019 Ju et al.
 2020/0403566 A1 12/2020 Yamaai et al.
 2021/0159615 A1 * 5/2021 Herrmann H01R 13/6592

OTHER PUBLICATIONS

Rebecca Cragun, et al., "Li-Ion Conformal Wearable Battery," EaglePicher Technologies, LLC visited on Feb. 9, 2020 at <<http://www.powersourcesconference.com/Power%20Sources%202018%20Digest/docs/34-2.pdf>>, pp. 577-580.
 Inventus Power, "Conformal Wearable Batteries Safe, 'Flexible, Wearable Power Designed to Increase Mission Effectiveness'," visited on Nov. 4, 2020 at <<https://inventuspower.com/conformal-wearable-batteries/>>, pp. 3.

* cited by examiner

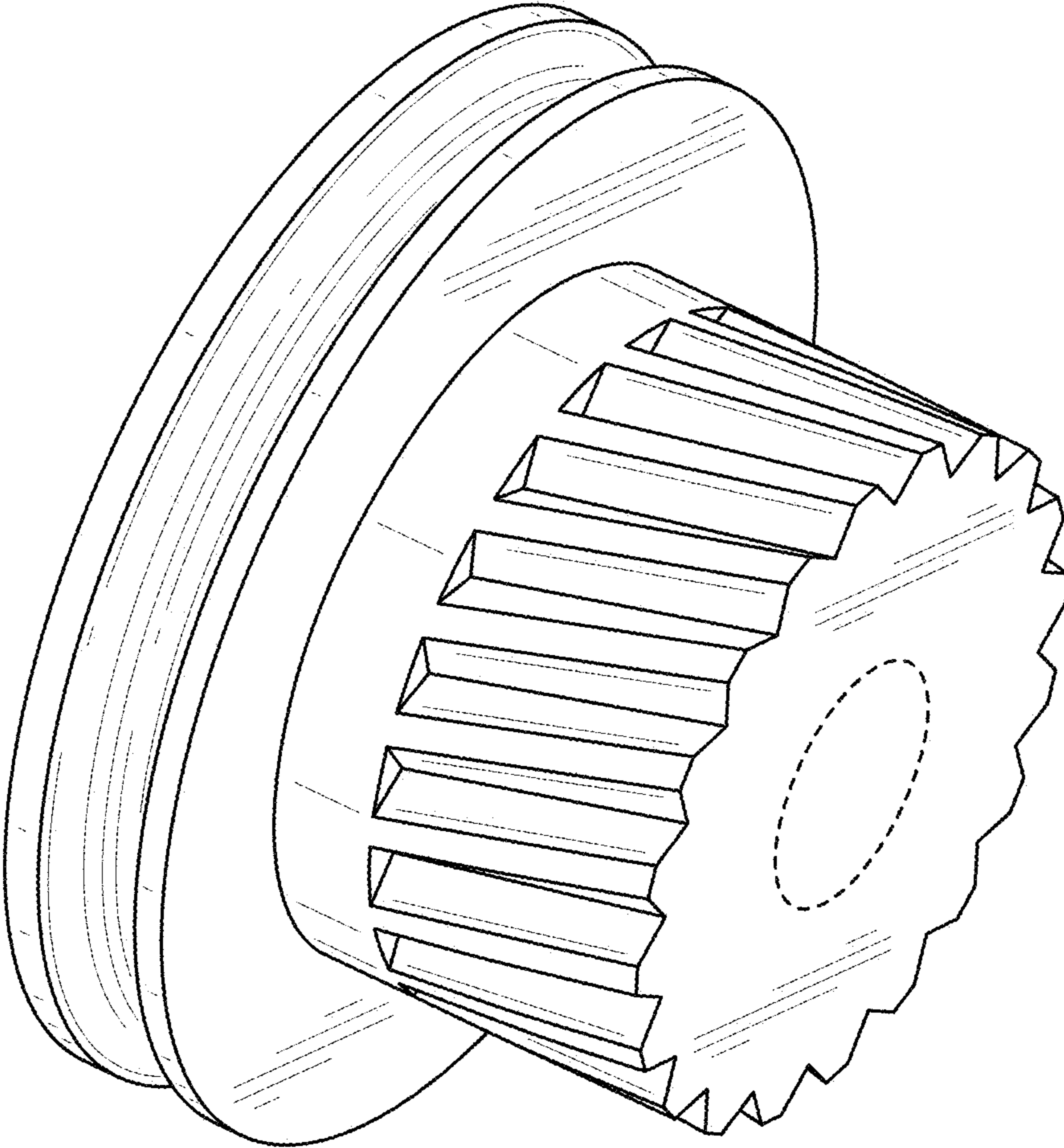


FIG. 1

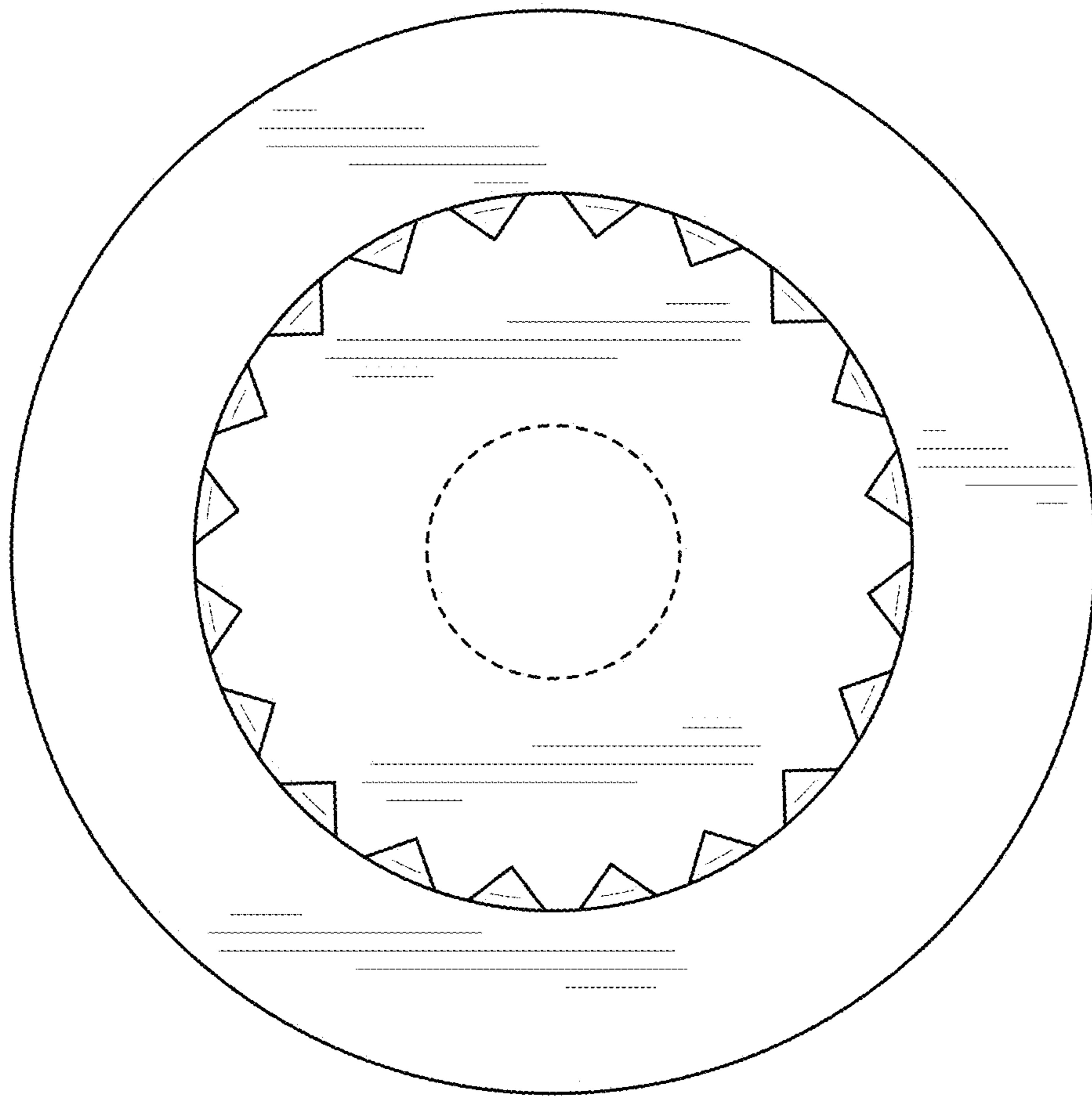


FIG. 2

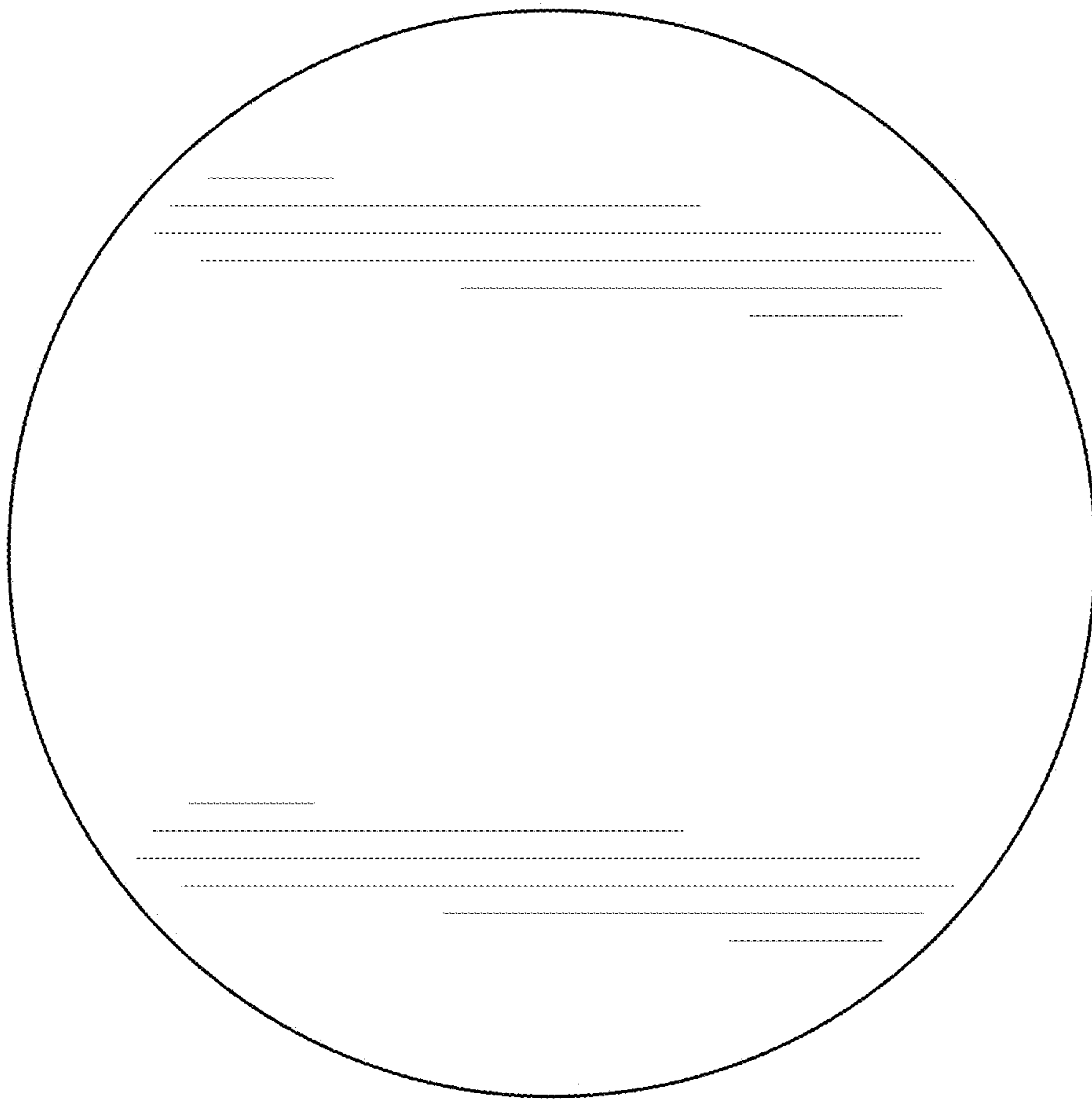


FIG. 3

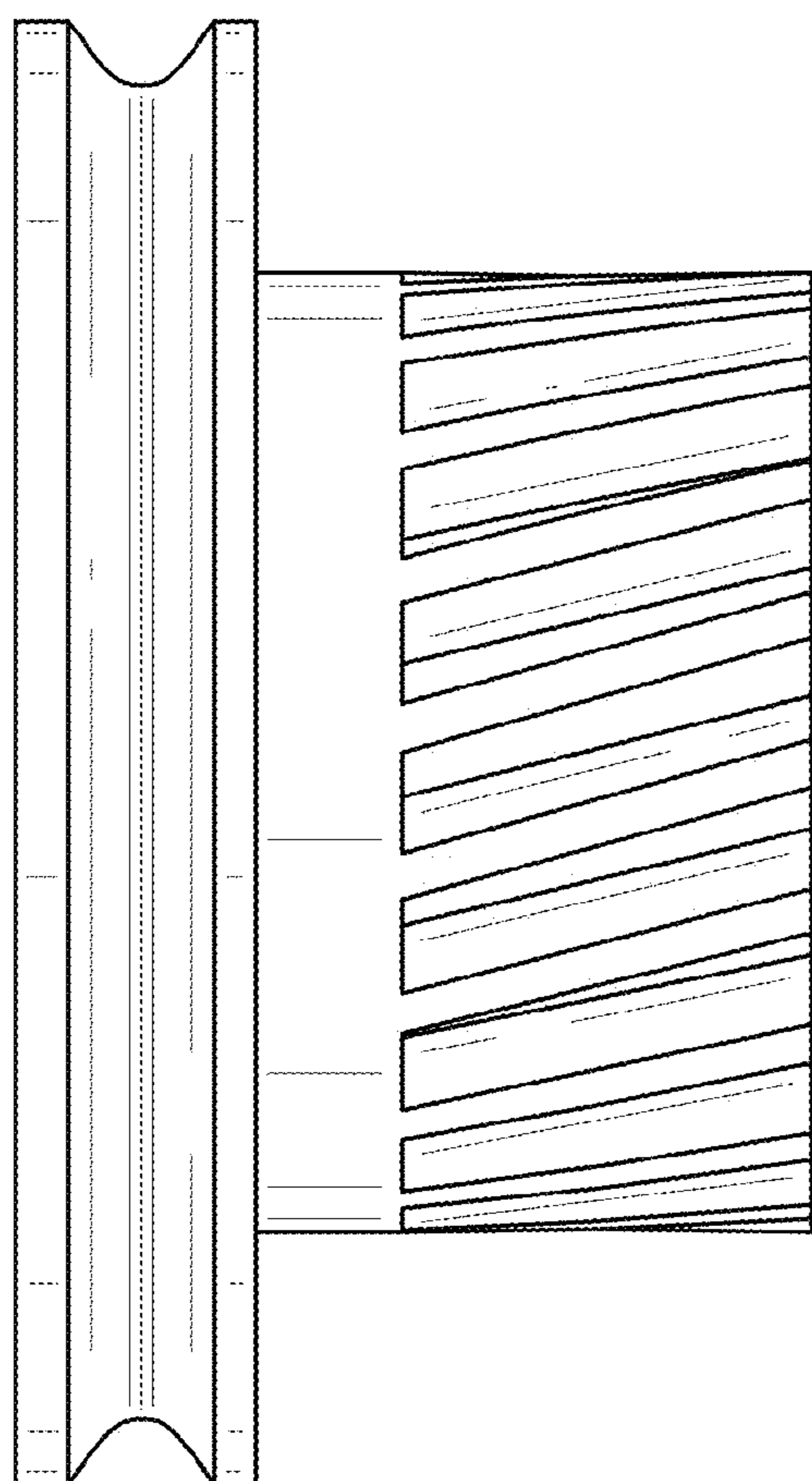


FIG. 4

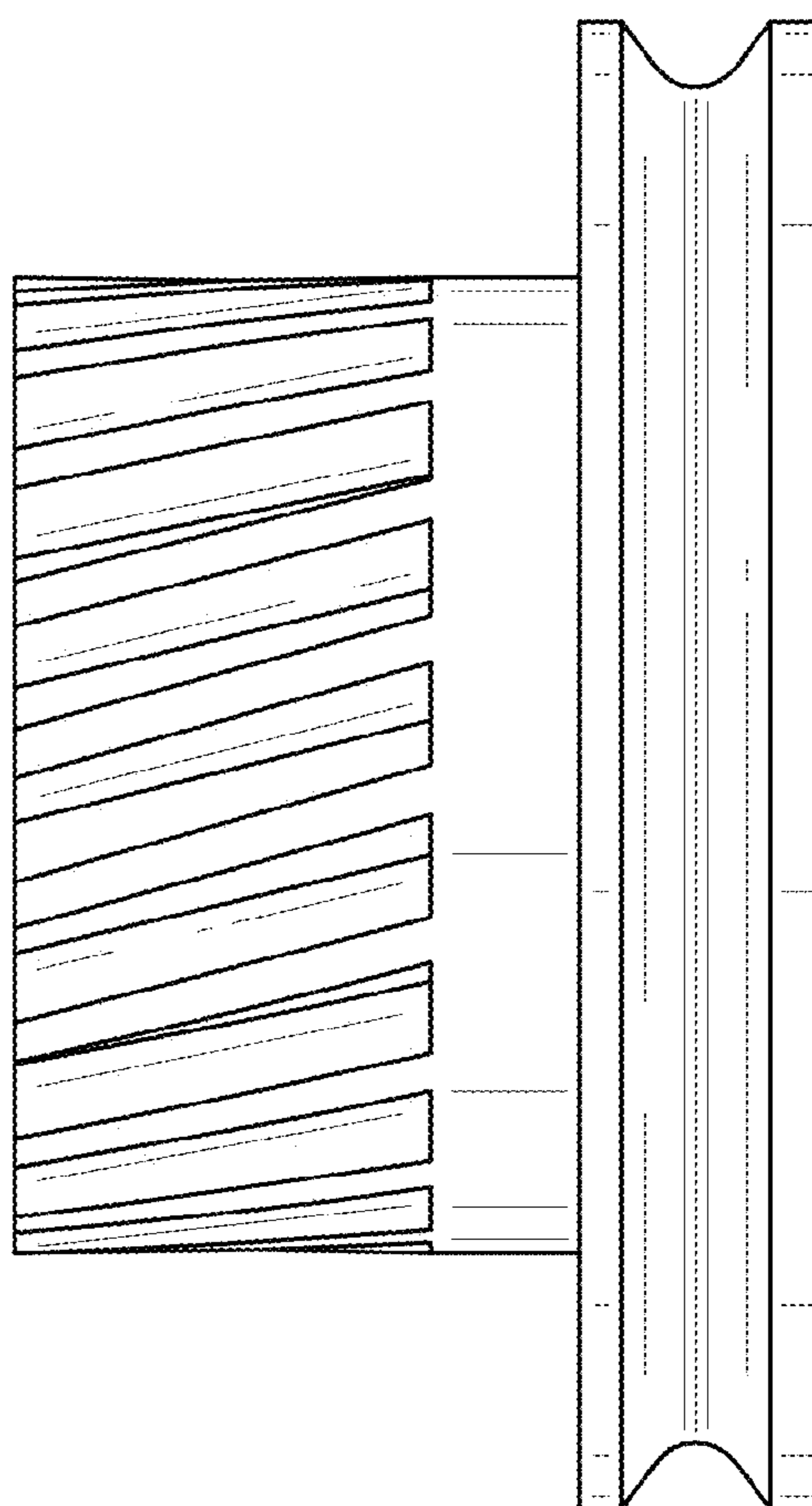


FIG. 5

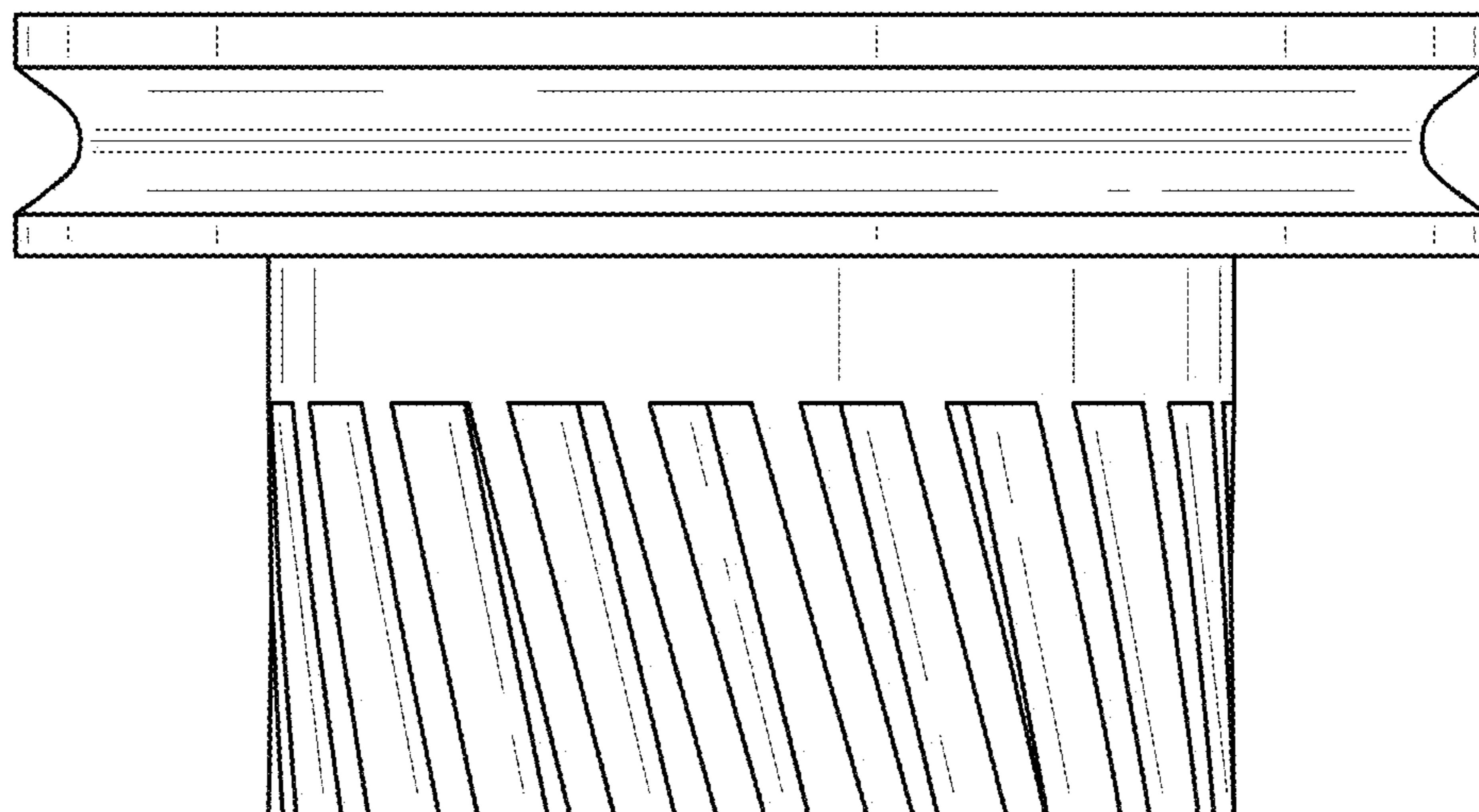


FIG. 6

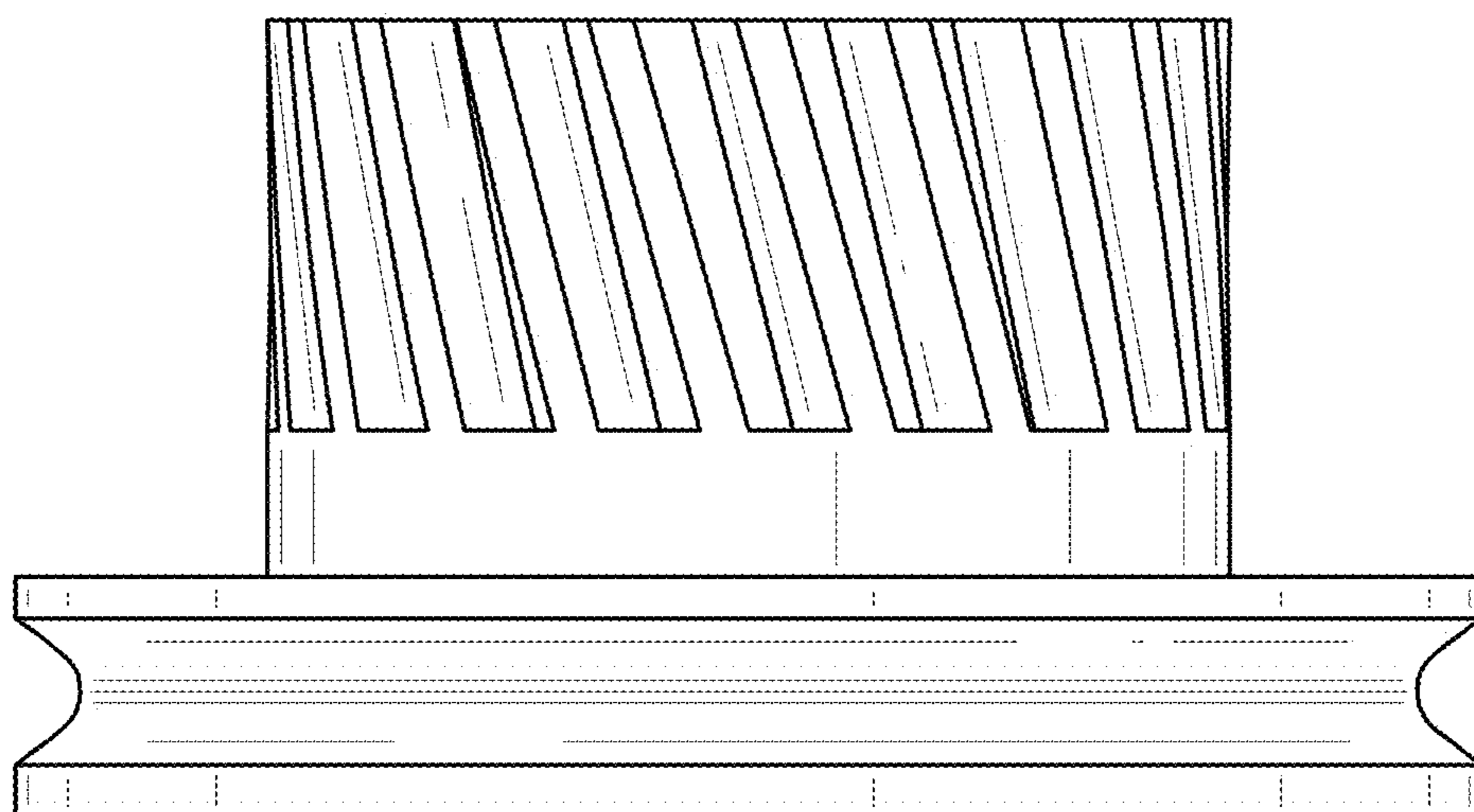


FIG. 7