



US00D937221S

(12) **United States Design Patent** (10) **Patent No.:** **US D937,221 S**
Meng et al. (45) **Date of Patent:** **** Nov. 30, 2021**

(54) **CONTACT FOR AN ELECTRICAL CONNECTOR**

(56) **References Cited**

U.S. PATENT DOCUMENTS

(71) Applicant: **ADVANCED-CONNECTEK INC.**,
New Taipei (TW)
(72) Inventors: **Ta-Teh Meng**, New Taipei (TW); **Mei Shi**, New Taipei (TW); **Ya-Ping Liang**,
New Taipei (TW); **Ping Shi**, New
Taipei (TW); **Meng Liu**, New Taipei
(TW); **Jing-Zhe Wang**, New Taipei
(TW)

D480,361 S * 10/2003 Lee D13/133
D614,582 S * 4/2010 Ye D13/154
D614,583 S * 4/2010 Wang D13/154
D633,050 S * 2/2011 Truskett D13/154
D641,324 S * 7/2011 Svelnis D13/154
D737,218 S * 8/2015 Yoshida D13/154
2018/0248287 A1 * 8/2018 Ashibu H01R 12/707
2020/0127400 A1 * 4/2020 Sasayama H01R 12/716
2020/0235506 A1 * 7/2020 Hosoda H01R 12/716
2020/0343660 A1 * 10/2020 Gondo H01R 13/6275
2020/0358213 A1 * 11/2020 Tanaka H01R 12/716

(73) Assignee: **ADVANCED-CONNECTEK INC.**,
New Taipei (TW)

* cited by examiner

(**) Term: **15 Years**

Primary Examiner — Lilyana Bekic

Assistant Examiner — Lee D. Starr

(21) Appl. No.: **29/715,234**

(74) *Attorney, Agent, or Firm* — Muncy, Geissler, Olds & Lowe, P.C.

(22) Filed: **Nov. 29, 2019**

(57) **CLAIM**

The ornamental design for a contact for an electrical connector, as shown and described.

(30) **Foreign Application Priority Data**

DESCRIPTION

May 29, 2019 (CN) 201930270706.3

(51) **LOC (13) Cl.** **13-03**

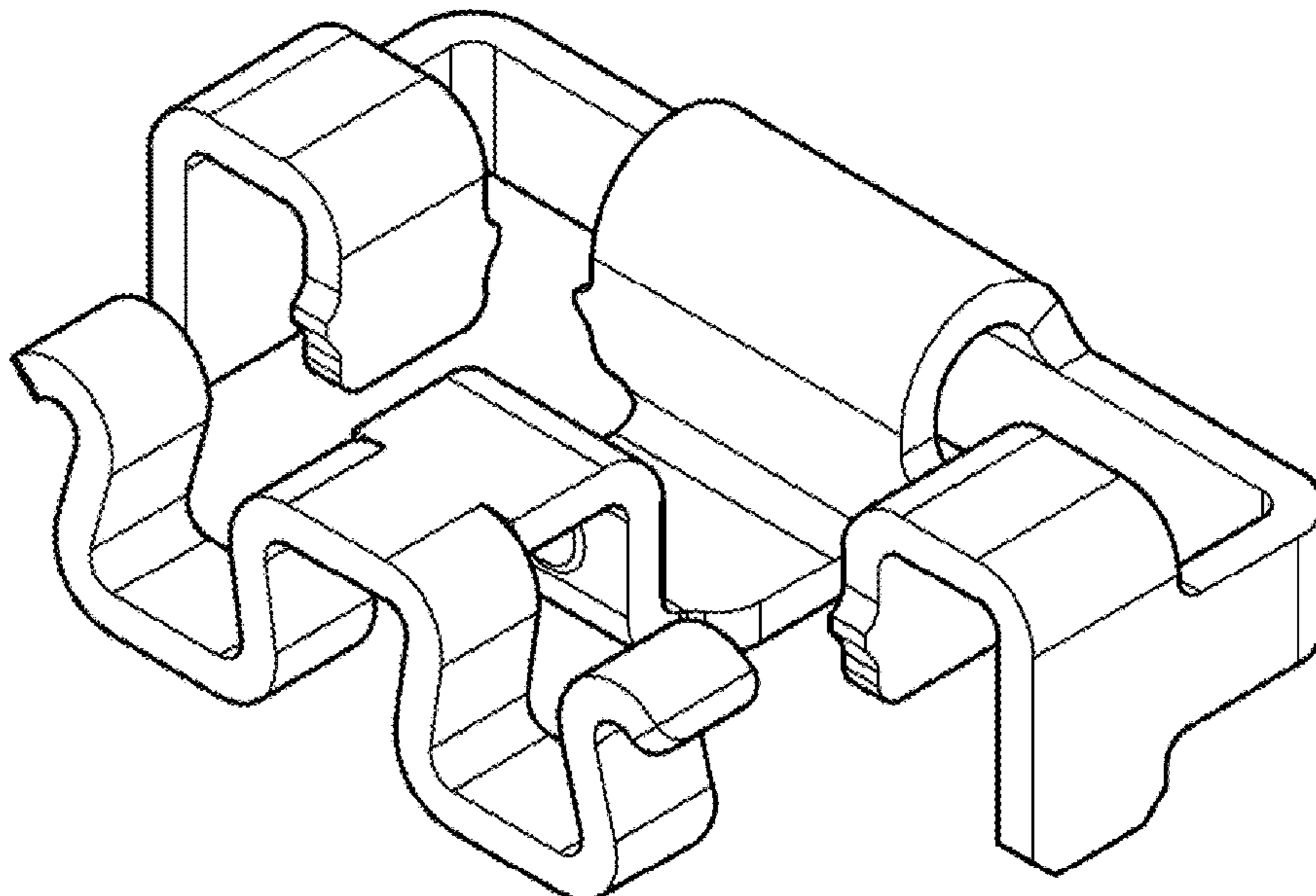
(52) **U.S. Cl.**
USPC **D13/154**

(58) **Field of Classification Search**
USPC D13/154, 146, 147, 133; D14/432, 433,
D14/438
CPC H01R 12/7017; H01R 12/7023; H01R
12/7029; H01R 12/7064; H01R 12/71;
H01R 12/712; H01R 12/716; H01R
13/02; H01R 13/04; H01R 13/20; H01R
13/405; H01R 13/41; H01R 13/42; H01R
13/426; H01R 13/514; H01R 13/642

FIG. 1 is a top perspective view of a contact for an electrical connector showing our new design;
FIG. 2 is a front elevational view thereof;
FIG. 3 is a rear elevational view thereof;
FIG. 4 is a left side elevational view thereof;
FIG. 5 is a right side elevational view thereof;
FIG. 6 is a top plan view thereof;
FIG. 7 is a bottom plan view thereof; and,
FIG. 8 is a perspective view of the contact for an electrical connector shown in an environment of use.
The broken lines in FIG. 8 depict environmental structure and form no part of the claimed design.

See application file for complete search history.

1 Claim, 5 Drawing Sheets



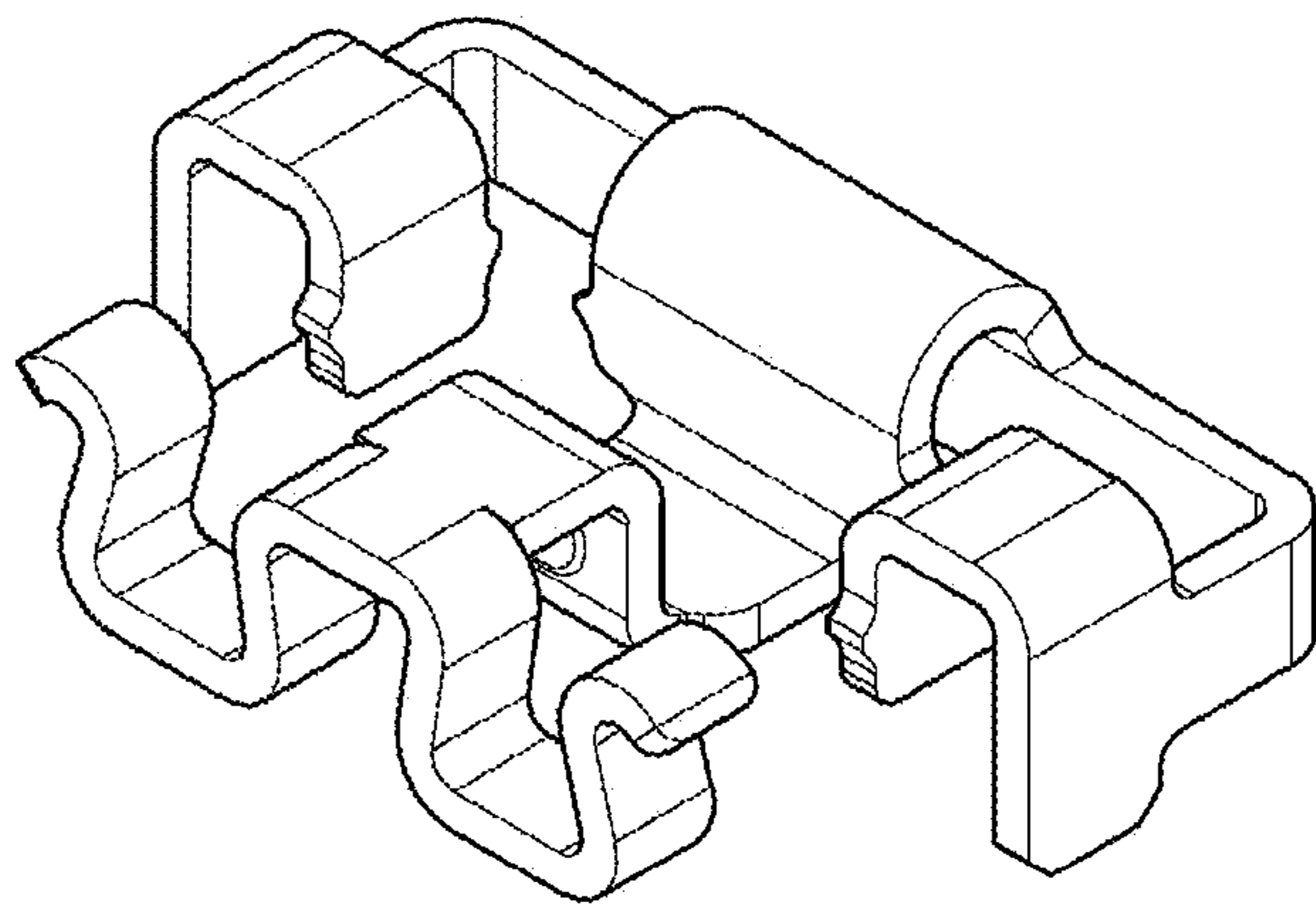


FIG. 1

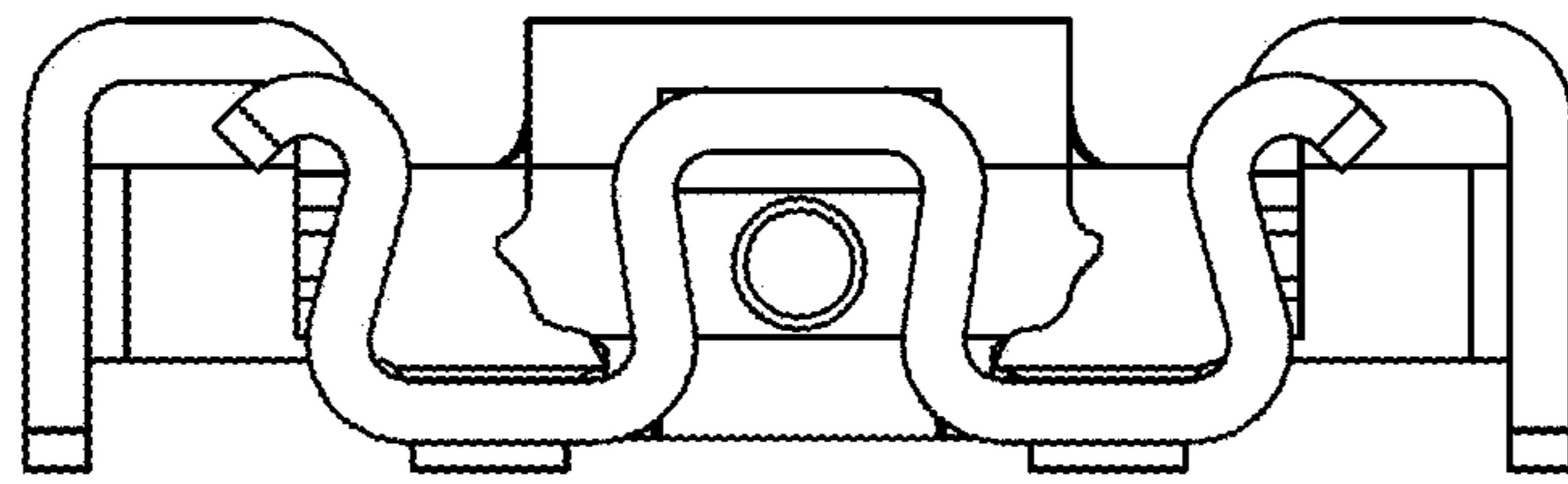


FIG. 2

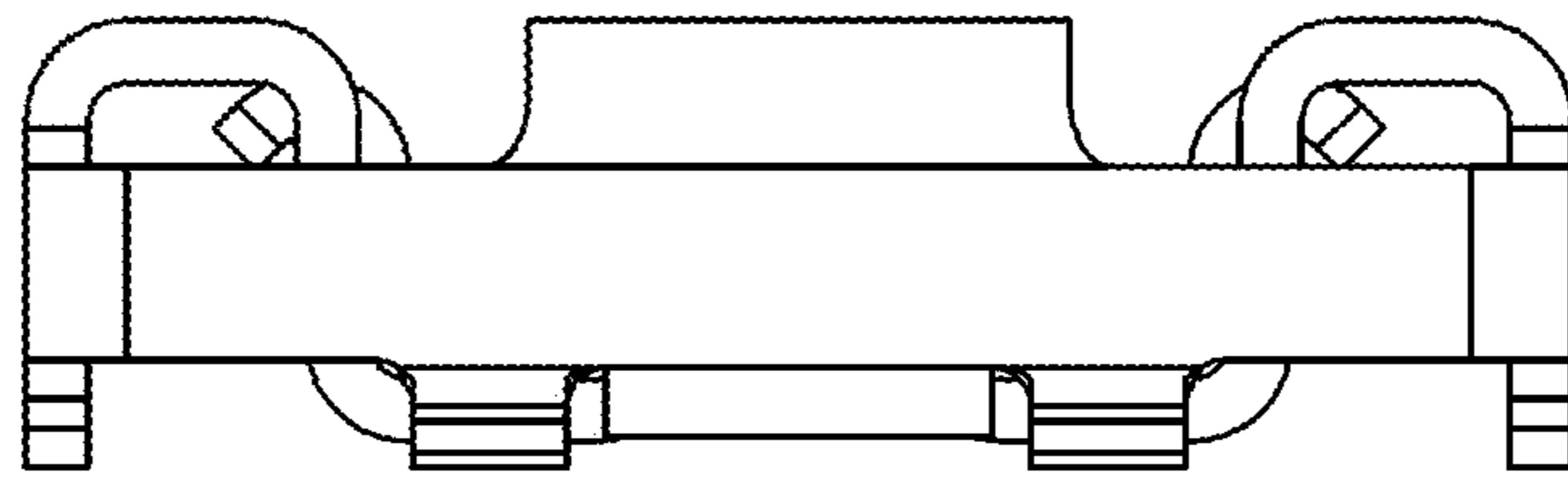


FIG. 3

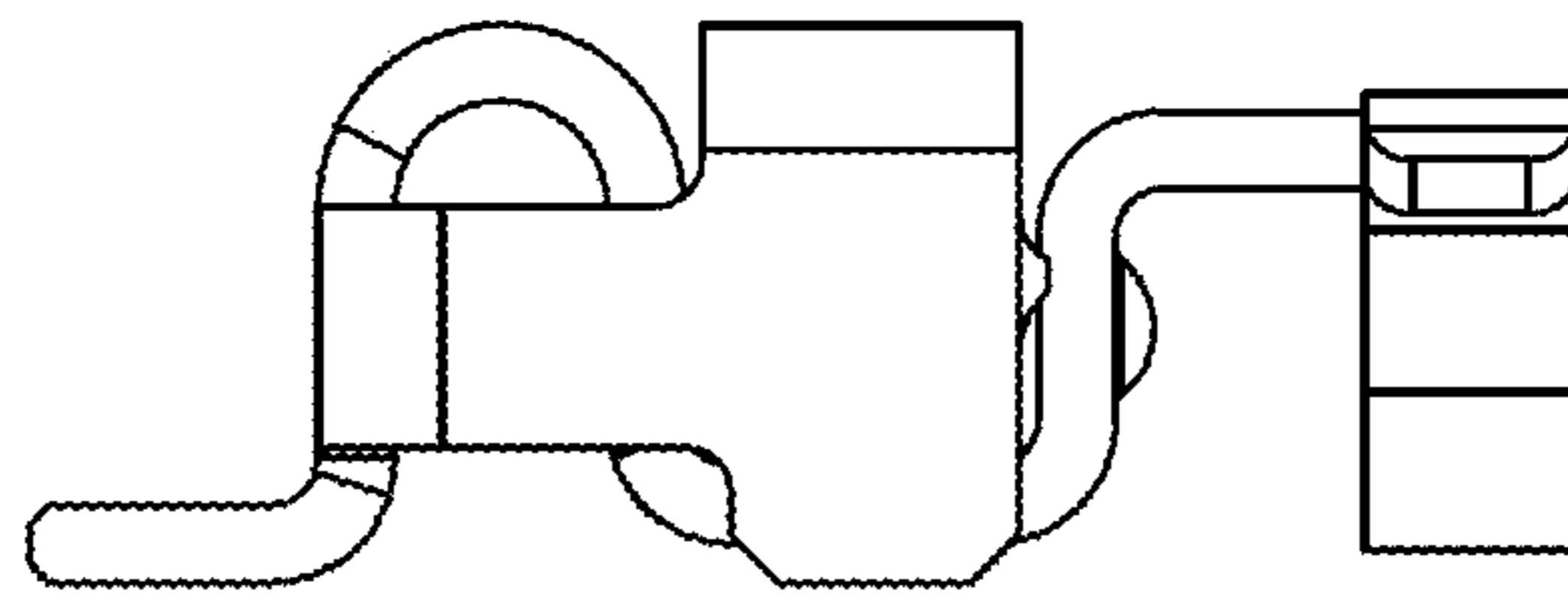


FIG. 4

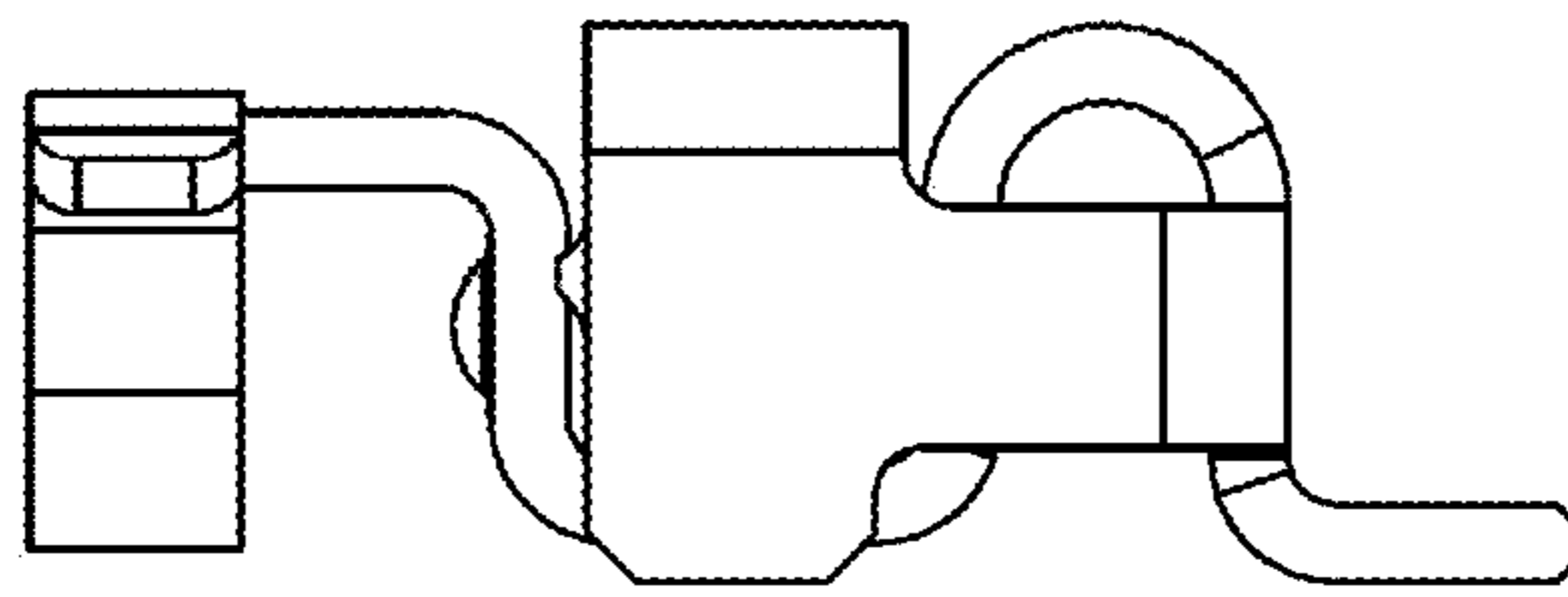


FIG. 5

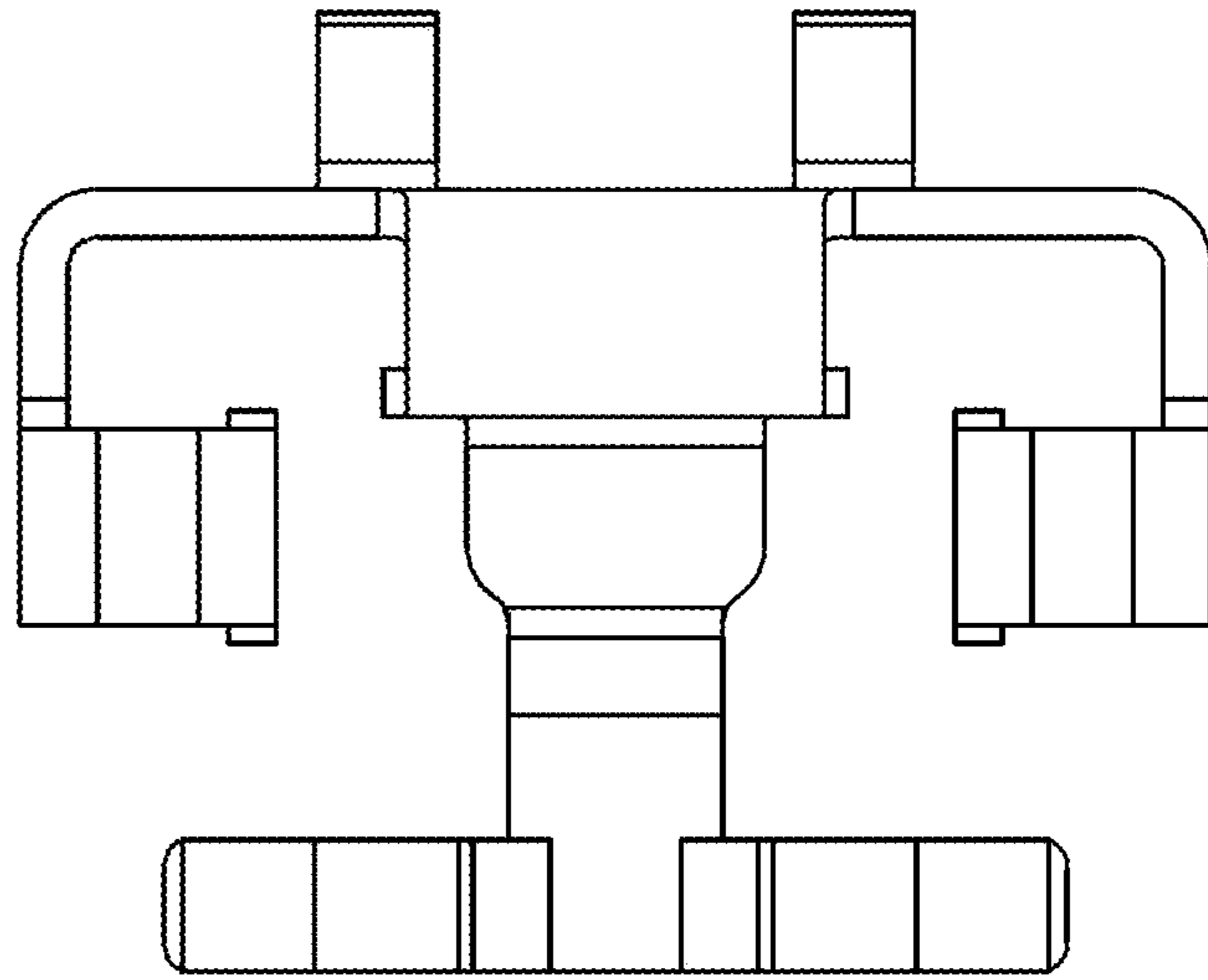


FIG. 6

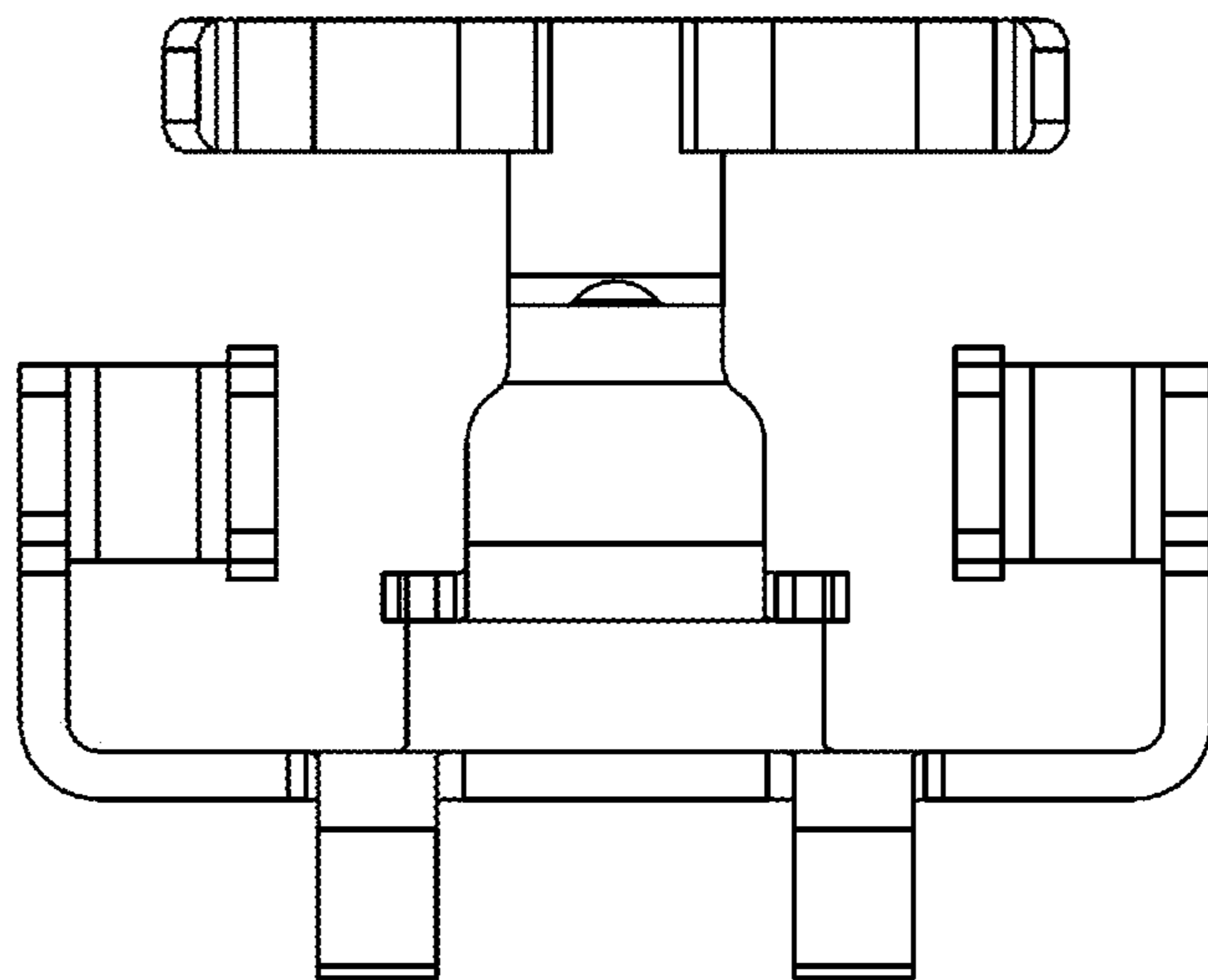


FIG. 7

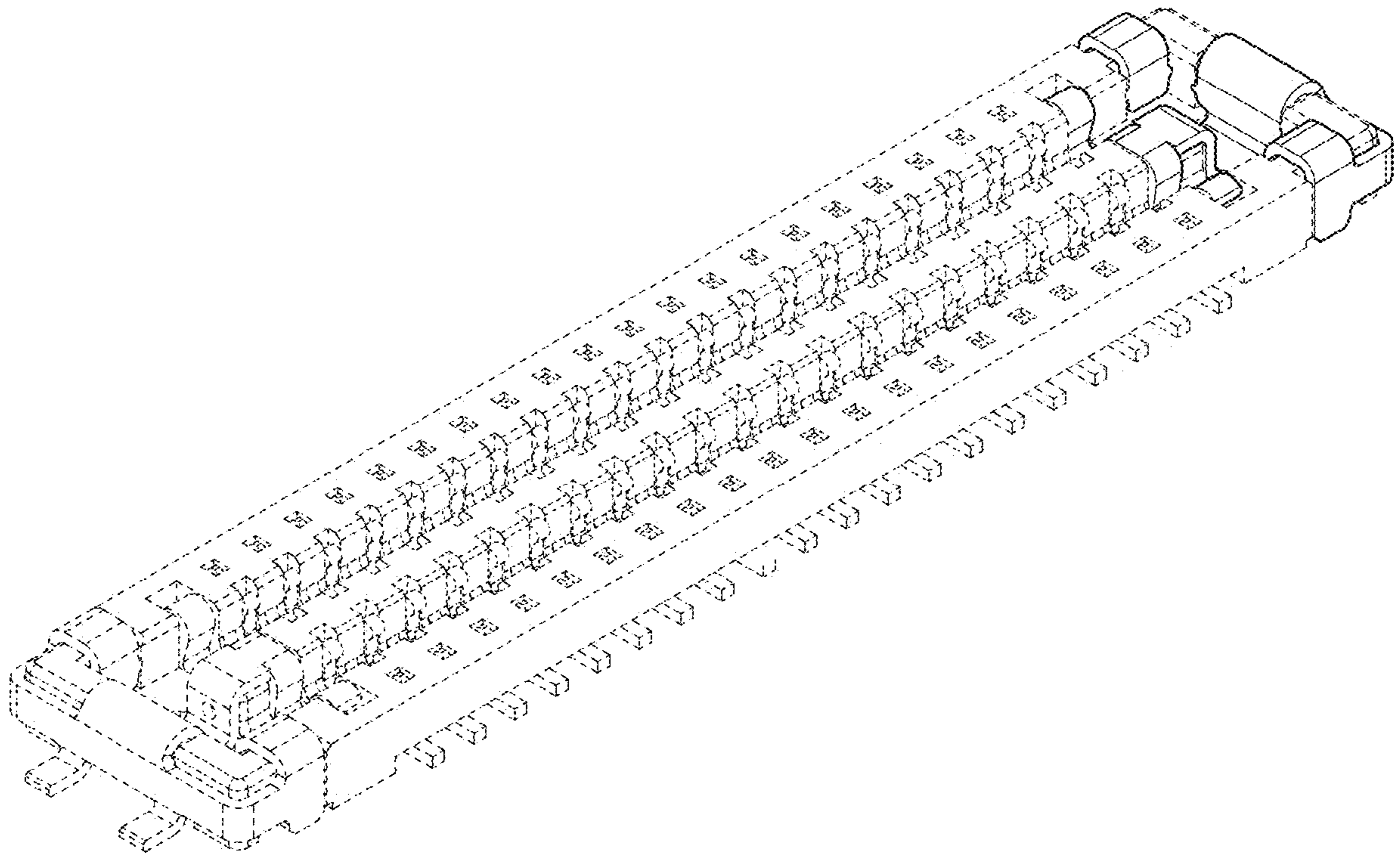


FIG. 8