



US00D937218S

(12) **United States Design Patent** (10) **Patent No.:** **US D937,218 S**
Ueda (45) **Date of Patent:** **** Nov. 30, 2021**

(54) **CONNECTOR**

(71) Applicant: **Japan Aviation Electronics Industry, Limited**, Tokyo (JP)

(72) Inventor: **Kouhei Ueda**, Tokyo (JP)

(73) Assignee: **JAPAN AVIATION ELECTRONICS INDUSTRY, LIMITED**, Tokyo (JP)

(**) Term: **15 Years**

(21) Appl. No.: **29/765,547**

(22) Filed: **Jan. 8, 2021**

Related U.S. Application Data

(62) Division of application No. 29/700,313, filed on Aug. 1, 2019, now Pat. No. Des. 925,461.

(30) **Foreign Application Priority Data**

Mar. 11, 2019 (JP) 2019-005001

(51) **LOC (13) Cl.** **13-03**

(52) **U.S. Cl.**
USPC **D13/147**

(58) **Field of Classification Search**
USPC D13/133, 146, 147, 123, 184, 199, 118, D13/120, 154, 155, 173, 156, 121, 161, D13/175, 103, 158, 162, 162.1, 149, 150, D13/151, 153; D14/432, 433, 435.1
CPC ... H01R 3/00; H01R 4/00; H01R 9/00; H01R 9/03; H01R 9/05; H01R 9/0503; H01R 9/0506; H01R 9/0521; H01R 9/16; H01R 9/18; H01R 9/22; H01R 9/2408; H01R 9/2416; H01R 9/2425; H01R 11/00; H01R 11/282; H01R 11/283; H01R 12/00; H01R 12/58; H01R 12/592; H01R 13/00; H01R 13/005; H01R 13/207; H01R 13/46; H01R

(Continued)

(56) **References Cited**

U.S. PATENT DOCUMENTS

D772,166 S * 11/2016 Chien D13/147
D775,083 S * 12/2016 Tada D13/147

(Continued)

OTHER PUBLICATIONS

DGSU—Type C Female Charger Port. Date: Oct. 17, 2018. [online], [Site visited Jul. 12, 2021], Available from Internet URL: <https://www.amazon.com/dp/B07PHMTRYJ/> (Year: 2018).*

(Continued)

Primary Examiner — Susan Bennett Hattan

Assistant Examiner — Landon Thomas Cassell

(74) *Attorney, Agent, or Firm* — Manabu Kanesaka

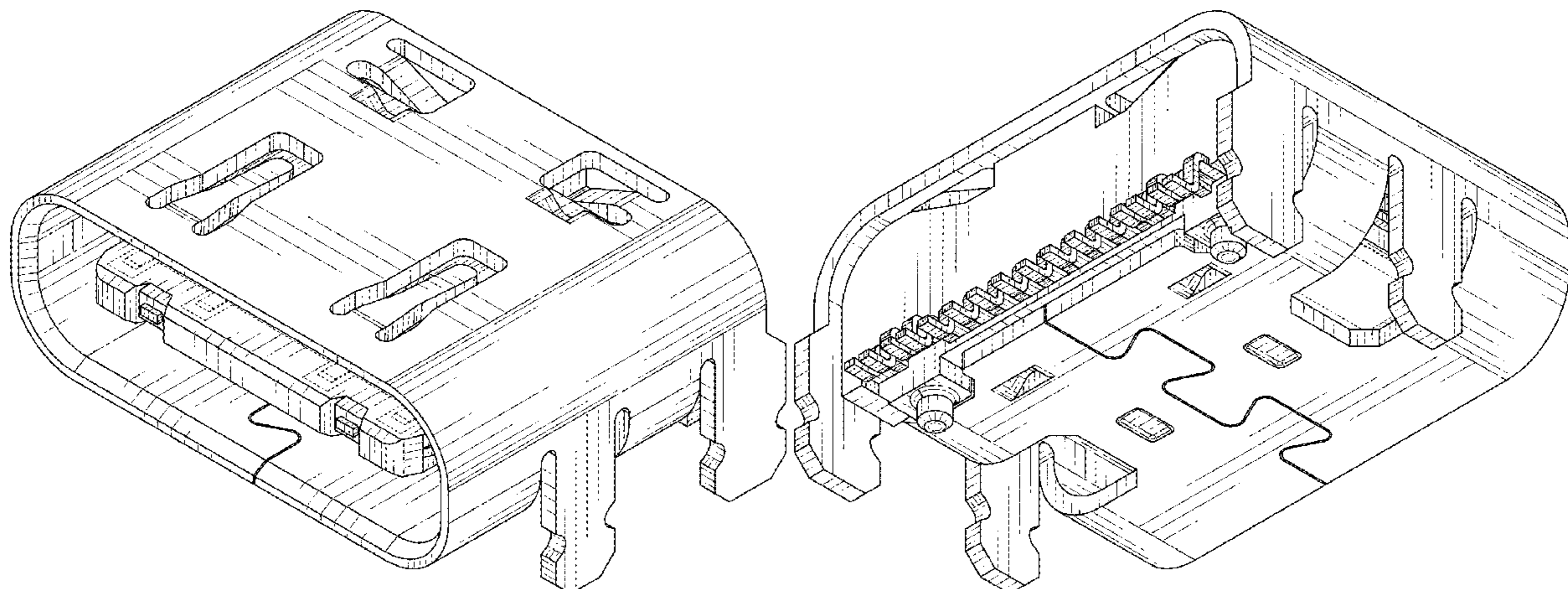
(57) **CLAIM**

The ornamental design for a connector, as shown and described.

DESCRIPTION

FIG. 1 is a front elevational view of a connector showing my new design;
FIG. 2 is a rear elevational view thereof;
FIG. 3 is a right side elevational view thereof;
FIG. 4 is a left side elevational view thereof;
FIG. 5 is a top plan view thereof;
FIG. 6 is a bottom plan view thereof;
FIG. 7 is a perspective view showing a front, top and right side thereof;
FIG. 8 is a perspective view showing a rear, bottom and left side thereof;
FIG. 9 is a perspective view showing a front, right and bottom side thereof; and,
FIG. 10 is a perspective view showing a rear, left and top side thereof.

(Continued)



The broken line showing of the connector is for the purpose of illustrating portions of the article and forms no part of the claimed design.

1 Claim, 5 Drawing Sheets

(58) **Field of Classification Search**

CPC 13/52; H01R 13/506; H01R 13/514; H01R 13/629; H01R 13/62933; H01R 13/64; H01R 24/00; H01R 24/20; H01R 24/38; H01R 25/00; H01R 2201/00; H01R 2201/18

See application file for complete search history.

(56) **References Cited**

U.S. PATENT DOCUMENTS

D783,539 S * 4/2017 Yokoyama D13/147
 9,680,254 B1 * 6/2017 Nishikata H01R 13/41
 D825,473 S * 8/2018 Kurosawa D13/147
 D837,161 S * 1/2019 Yokoyama D13/147

D867,301 S * 11/2019 Saitou D13/147
 2015/0194770 A1 * 7/2015 Little H01R 13/6582
 439/607.27
 2015/0270661 A1 * 9/2015 Kao H01R 13/6596
 439/271
 2017/0365951 A1 * 12/2017 Zhang H01R 13/6586
 2018/0175562 A1 * 6/2018 Zhao H01R 12/727
 2018/0287291 A1 * 10/2018 Kifune H01R 13/5219
 2018/0351287 A1 * 12/2018 Zhao H01R 13/52
 2018/0358756 A1 * 12/2018 Zhao H01R 24/60
 2019/0067846 A1 * 2/2019 Zhao H01R 12/707
 2019/0089077 A1 * 3/2019 Huang H01R 13/405

OTHER PUBLICATIONS

Uxcell—PCB USB Connector Type-C. Date: Dec. 4, 2018. [online], [Site visited Jul. 12, 2021], Available from Internet URL: <https://www.amazon.com/dp/B07L3LW65Y/> (Year: 2018).
 Connectors. (Design—© Questel) orbit.com. [Online PDF compilation of references selected by examiner] 12 pgs. Print Dates Range Oct. 6, 2014-Jan. 21, 2019 [Retrieved Jul. 8, 2021] <https://www.orbit.com/export/UCZAH96B/pdf4/11a59c35-7100-4fbb-8393-3ca6acba9055-215231.pdf> (Year: 2021).*

* cited by examiner

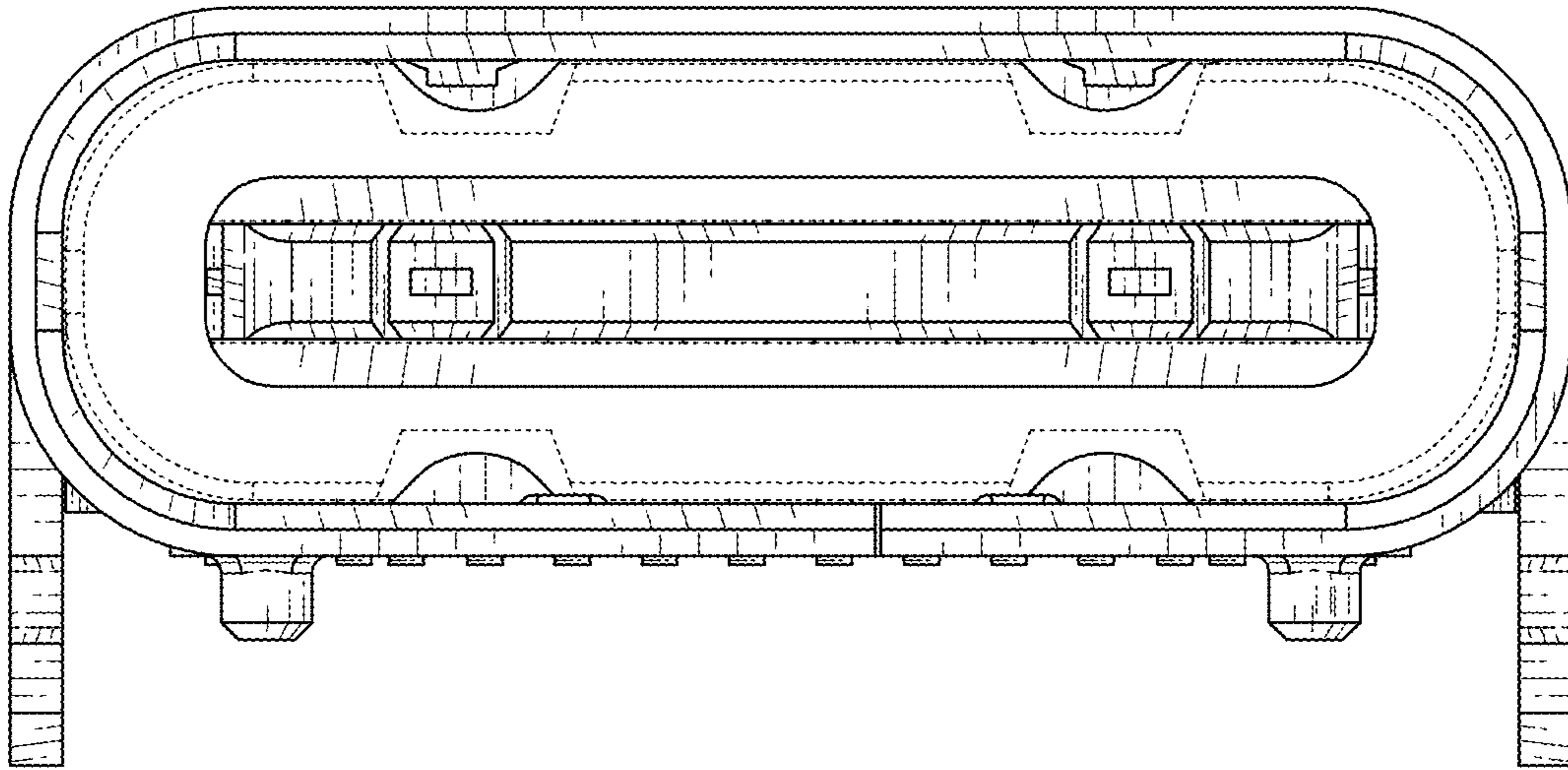


FIG. 1

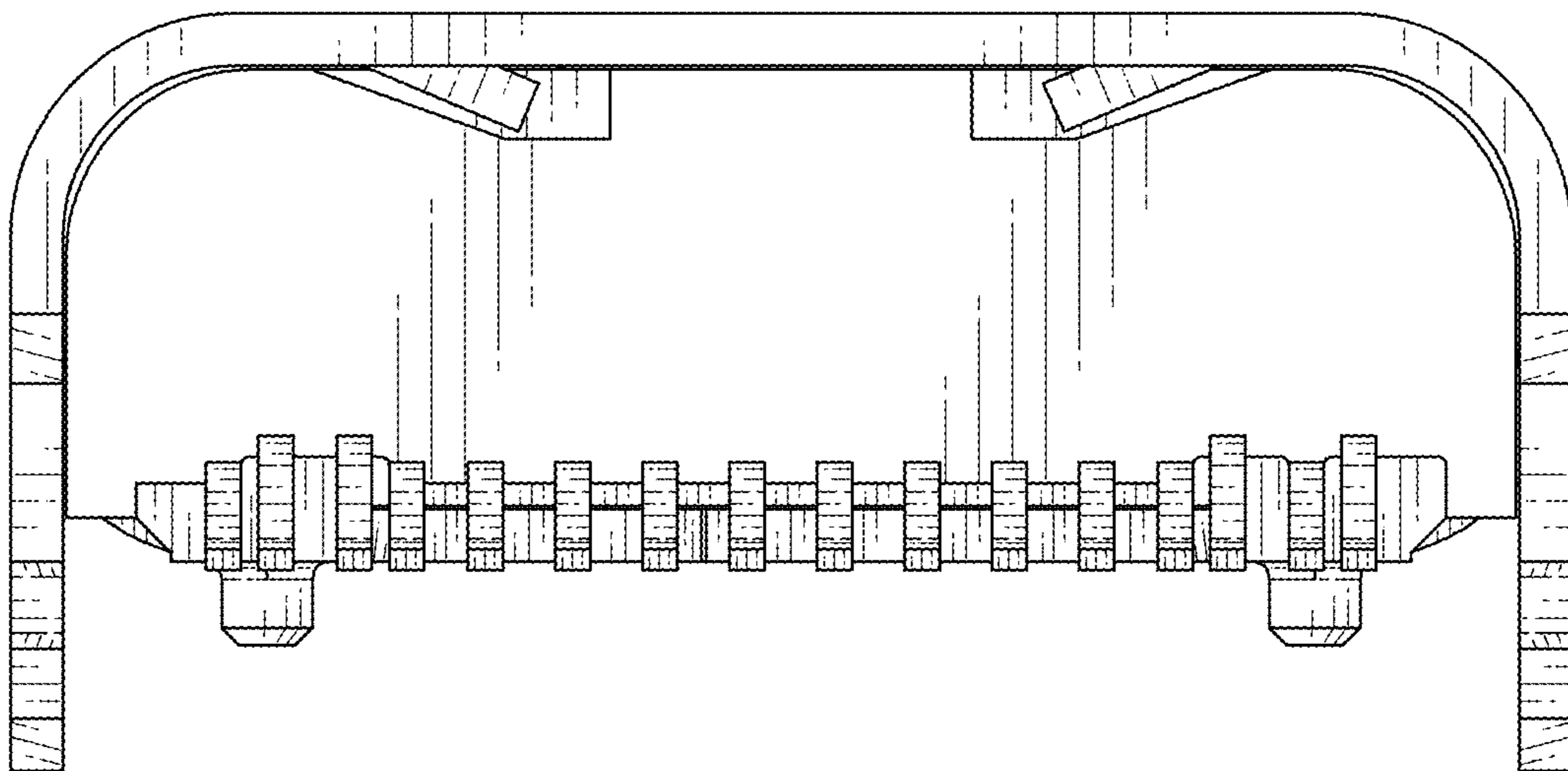


FIG. 2

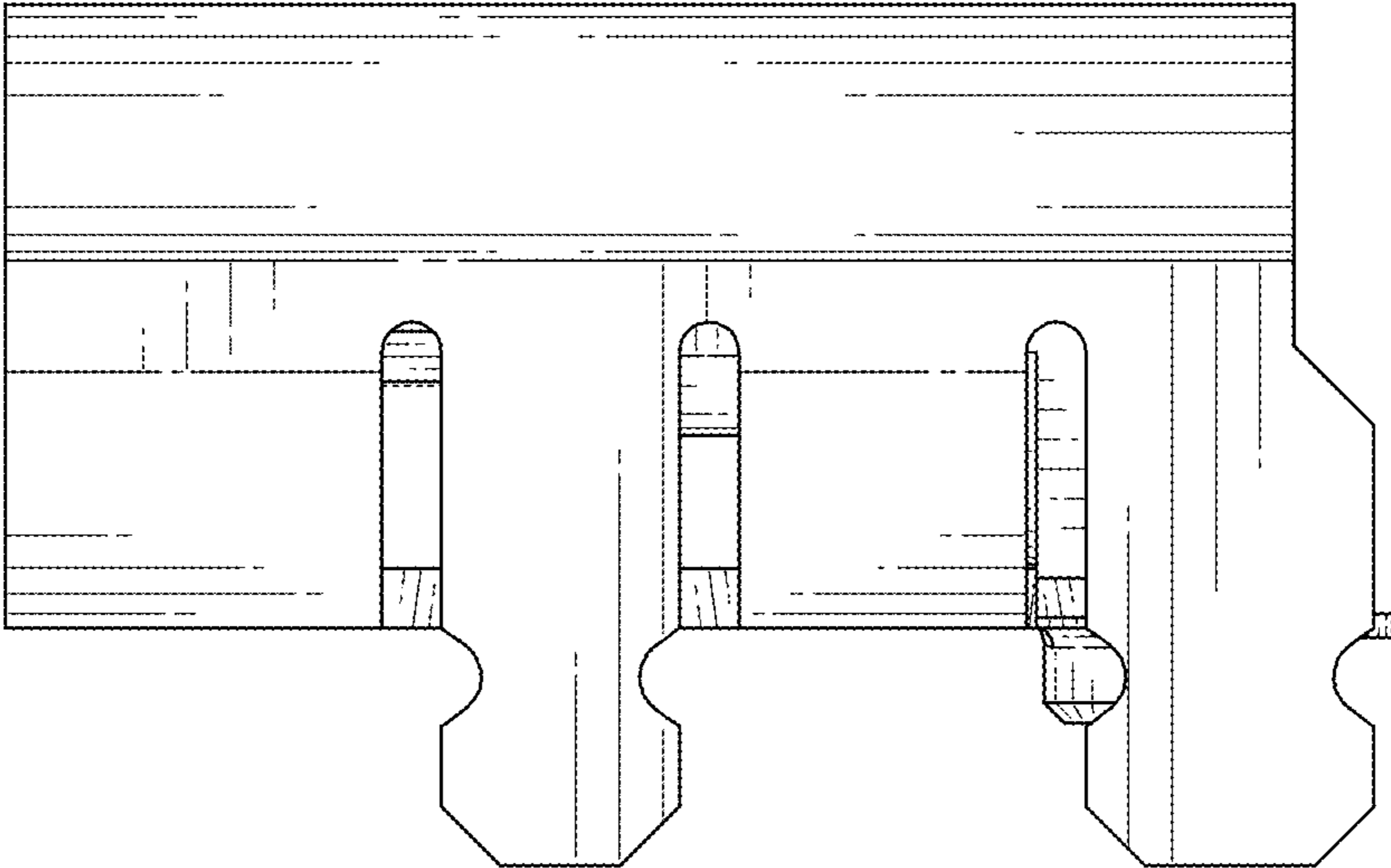


FIG. 3

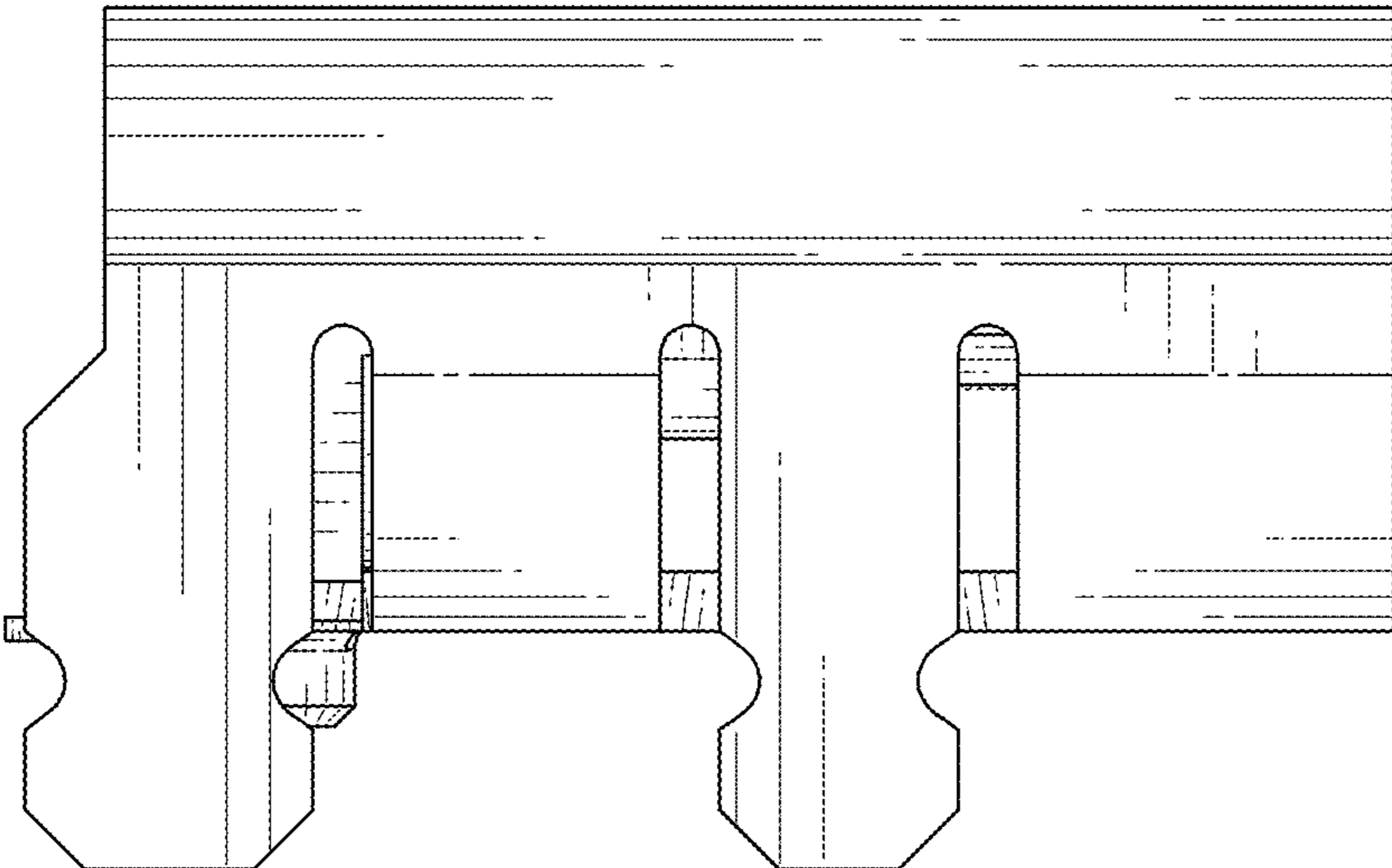


FIG. 4

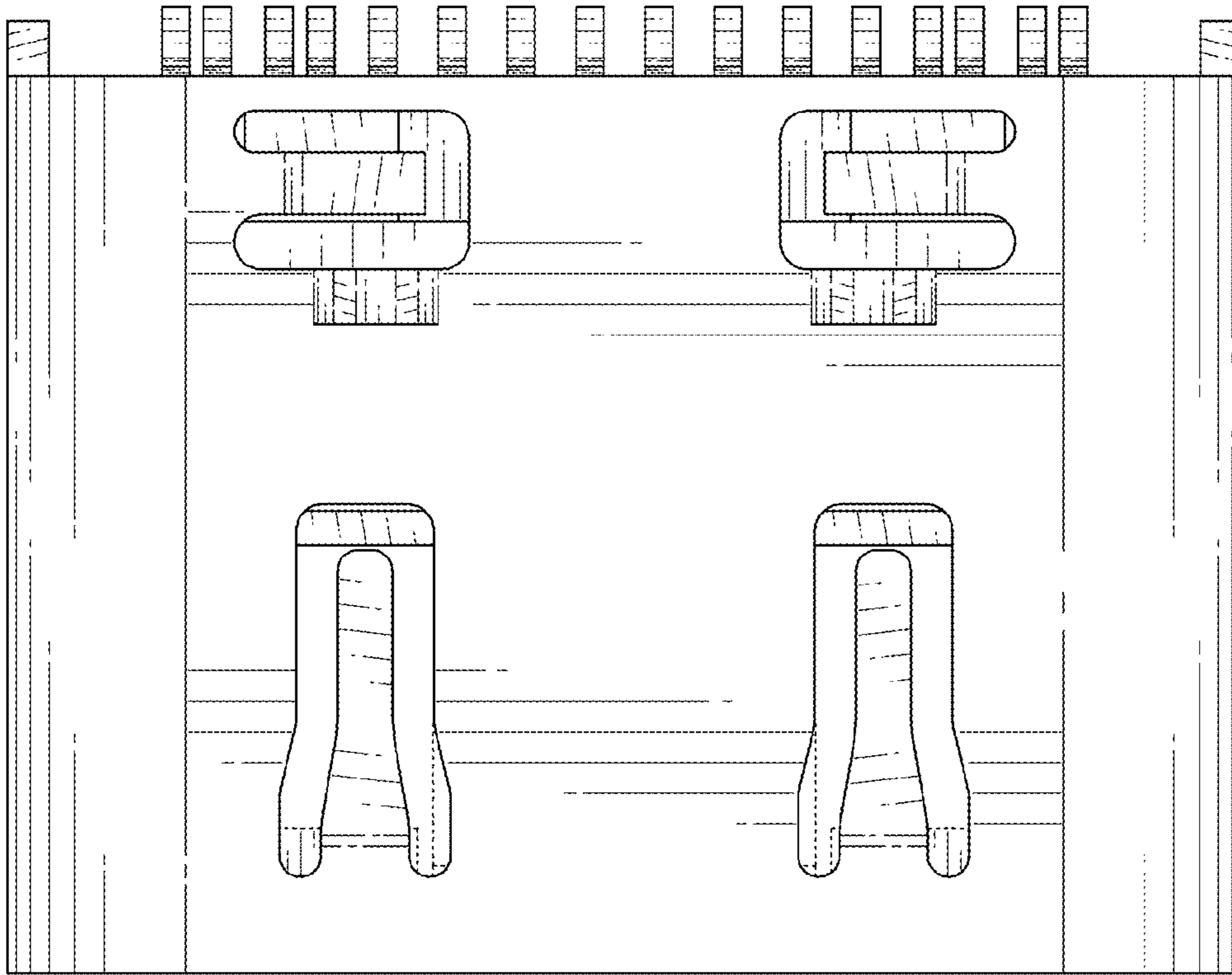


FIG. 5

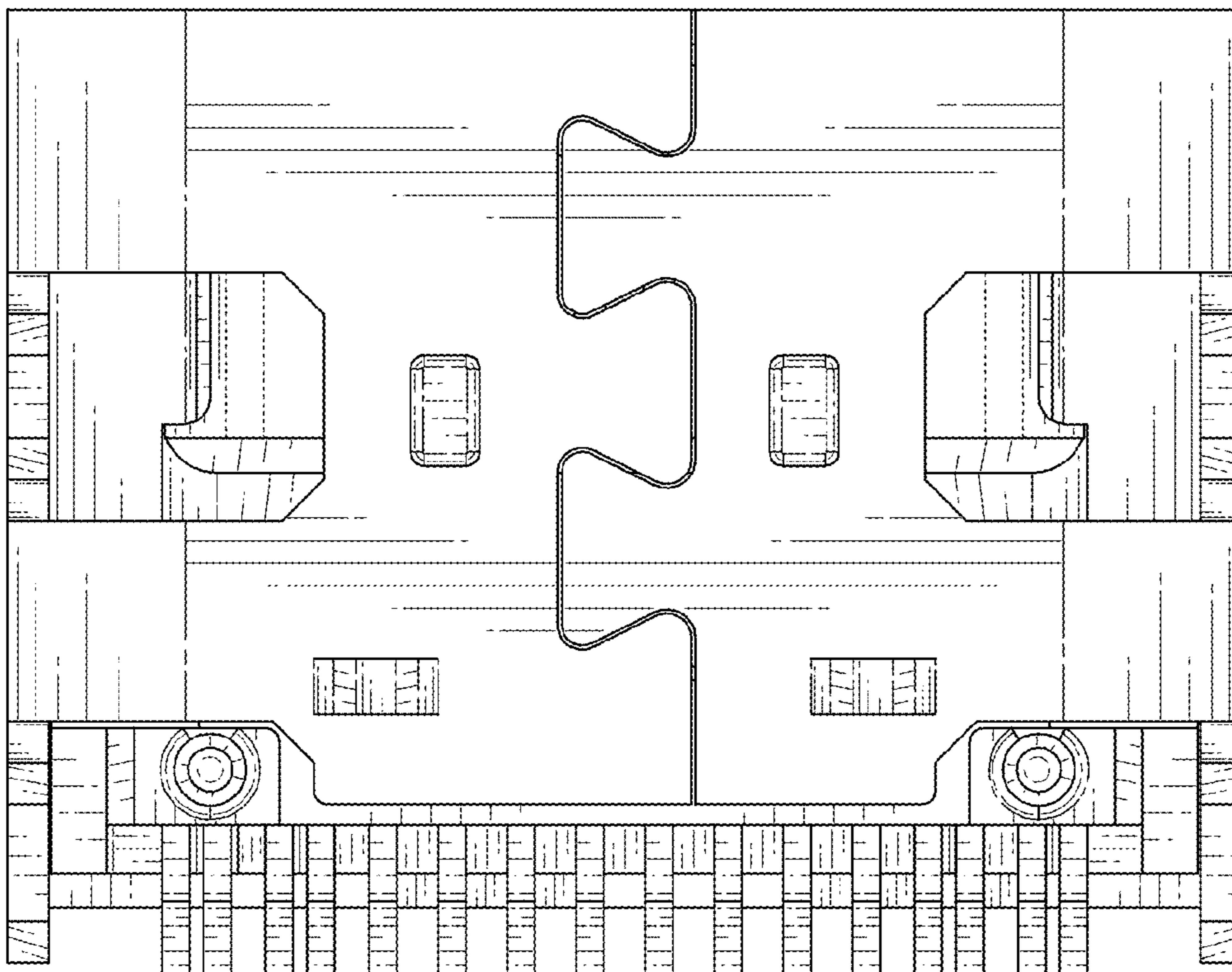


FIG. 6

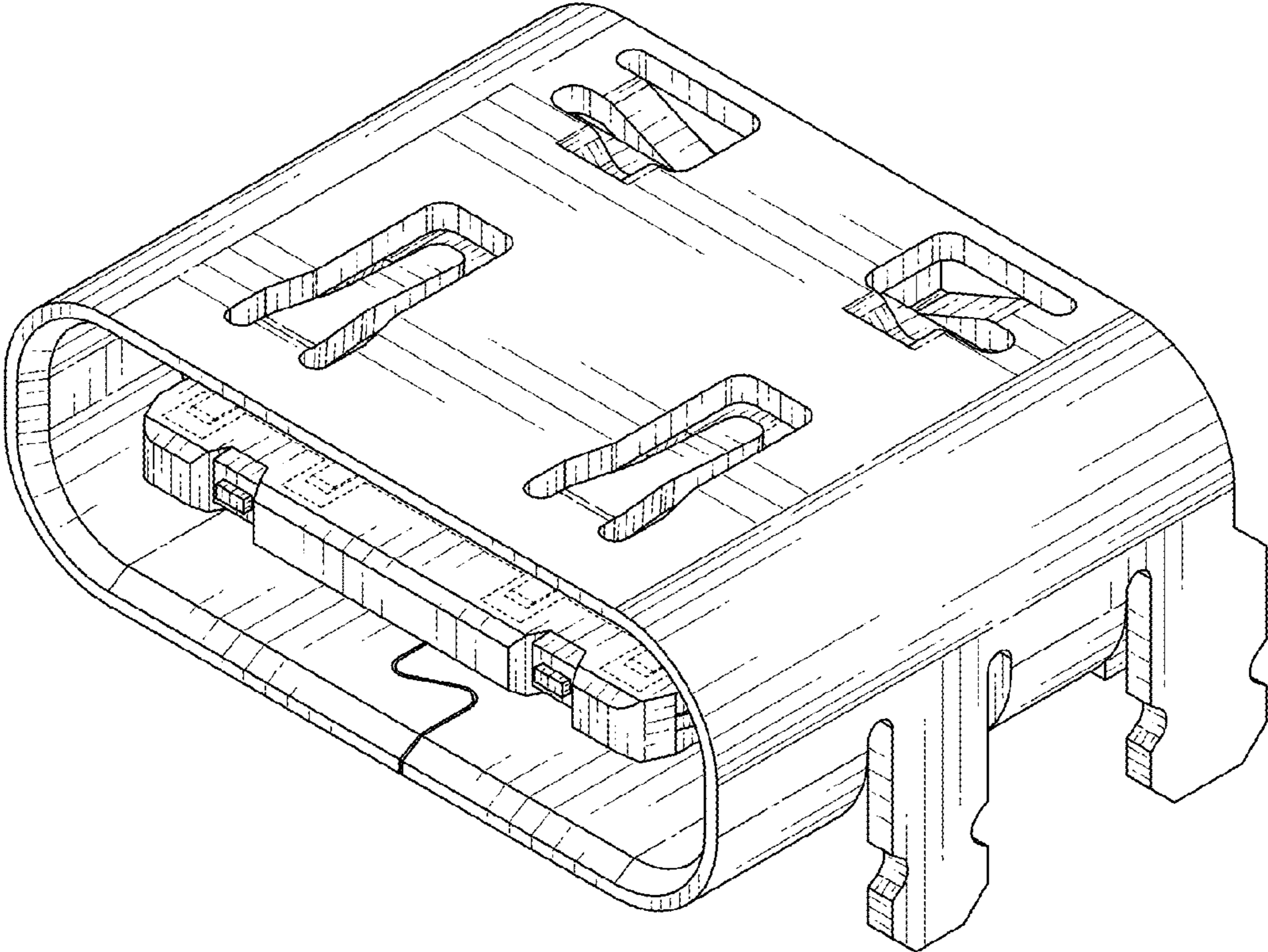


FIG. 7

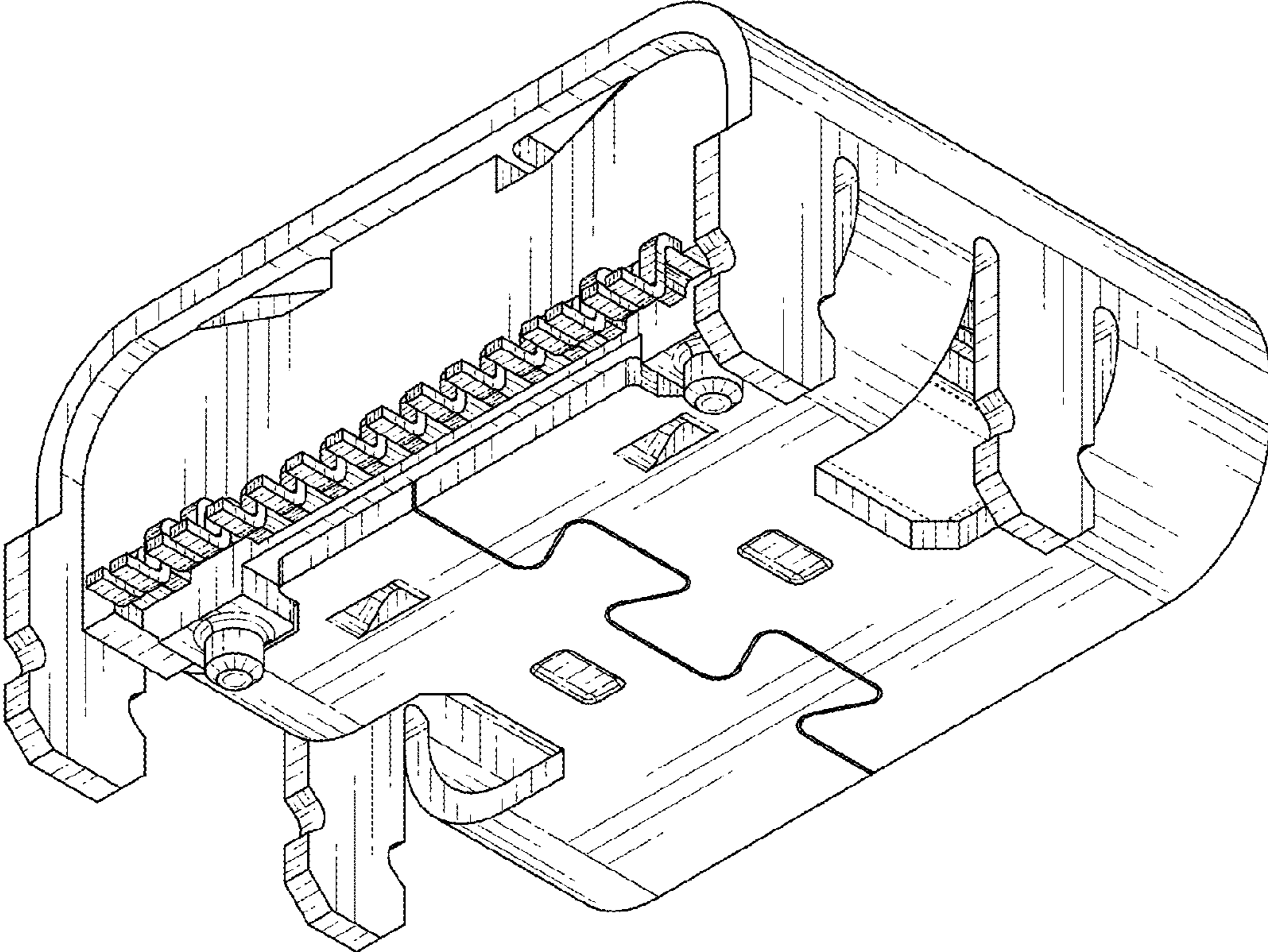


FIG. 8

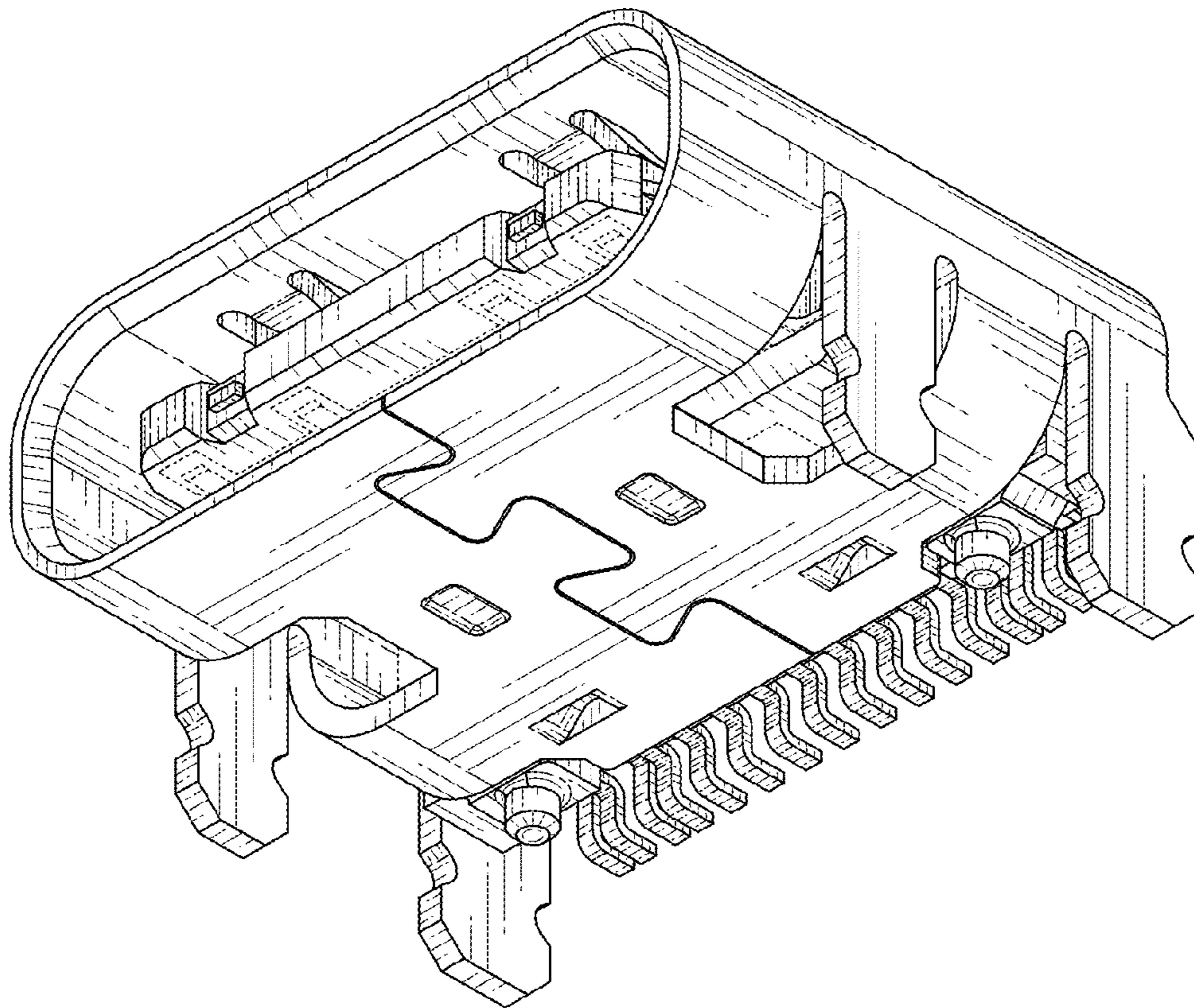


FIG. 9

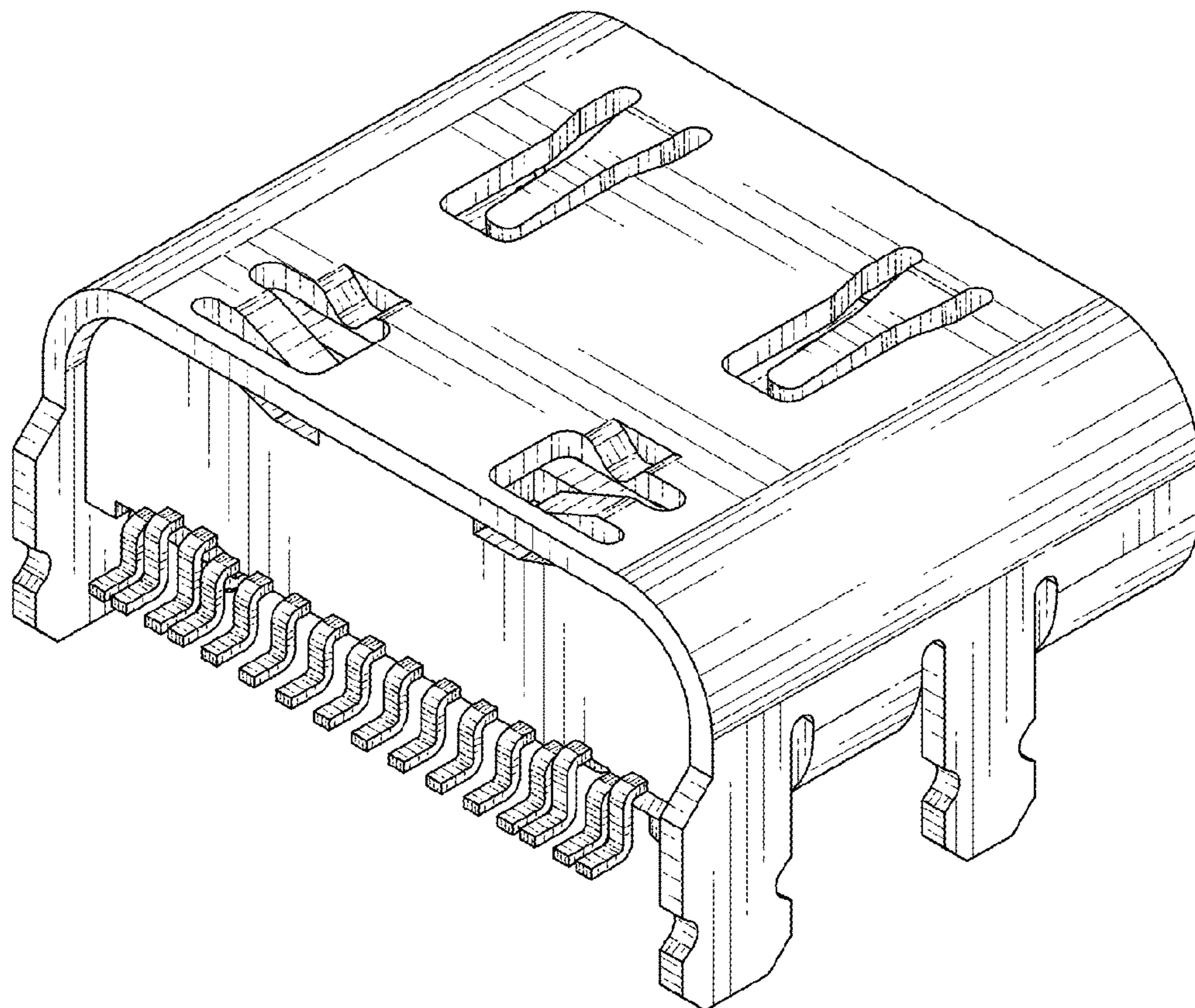


FIG. 10