



US00D937216S

(12) **United States Design Patent** (10) **Patent No.:** **US D937,216 S**  
**Tao** (45) **Date of Patent:** **\*\* Nov. 30, 2021**

(54) **SOCKET**

FOREIGN PATENT DOCUMENTS

(71) Applicant: **Ningbo Litesun Electric Co., Ltd.**,  
Zhejiang (CN)

CN 306401840 \* 3/2021  
CN 306412186 \* 3/2021

(Continued)

(72) Inventor: **Jiahuan Tao**, Yuyao (CN)

OTHER PUBLICATIONS

(73) Assignee: **Ningbo Litesun Electric Co., Ltd.**,  
Zhejiang (CN)

“Power Strip with 6 Feet, Yintar Surge Protector with 6 AC Outlets and 3 USB Ports, 6 Ft Extension Cord for for Home, Office, Dorm Essentials, 2100 Joules, ETL Listed, (Black)”, first available Nov. 5, 2020. Amazon.com [https://www.amazon.com/Yintar-Protector-Outlets-Extension-Essentials/dp/B08MTB (Year: 2020) hCXWX/ref=sr\_1\_10?dchild=1&keywords=power%2Bstrip&qid=16249%E2%80%A6&th=1].\*

(\*\*) Term: **15 Years**

(Continued)

(21) Appl. No.: **29/715,619**

(22) Filed: **Dec. 3, 2019**

(51) **LOC (13) Cl.** ..... **13-03**

*Primary Examiner* — Rosemary K Tarcza

(52) **U.S. Cl.**

*Assistant Examiner* — Seth David Kumpf

USPC ..... **D13/139.1**

(74) *Attorney, Agent, or Firm* — Greensfelder, Hemker & Gale, P.C.; Richard C. Himelhoch

(58) **Field of Classification Search**

USPC ... D13/110, 133, 137.1, 137.2, 137.3, 137.4, D13/137.5, 137.6, 137.7, 137.8, 137.9, D13/138.1, 138.2, 138.3, 138.4, 138.5, D13/138.6, 138.7, 138.8, 138.9, 139.1, D13/139.2, 139.3, 139.4, 139.5, 139.6, D13/139.7, 139.8, 152, 199; D14/433; D8/350, 353

CPC .... H01R 35/04; H01R 2103/00; H01R 31/06; H01R 31/005; H01R 2201/06; H01R 13/665; H01R 13/7135; H01R 13/652; H01R 13/506; H01R 13/514; H01R 13/518; H01R 13/6272; H01R 13/46; G06F

(Continued)

(57) **CLAIM**

I claim the ornamental design for a socket, as shown and described.

**DESCRIPTION**

FIG. 1 is a front perspective view of a socket in accordance with the present design;  
FIG. 2 is a rear perspective view of the socket of FIG. 1;  
FIG. 3 is a front side plan view of the socket of FIG. 1;  
FIG. 4 is a rear side plan view of the socket of FIG. 1;  
FIG. 5 is a right side plan view of the socket of FIG. 1;  
FIG. 6 is a left side plan view of the socket of FIG. 1;  
FIG. 7 is a top plan view of the socket of FIG. 1; and  
FIG. 8 is a bottom plan view of the socket of FIG. 1.  
Directional terms (such as top, bottom, etc.) are made with regard to the socket as shown and positioned in the drawings and are not intended to limit the scope of the invention.

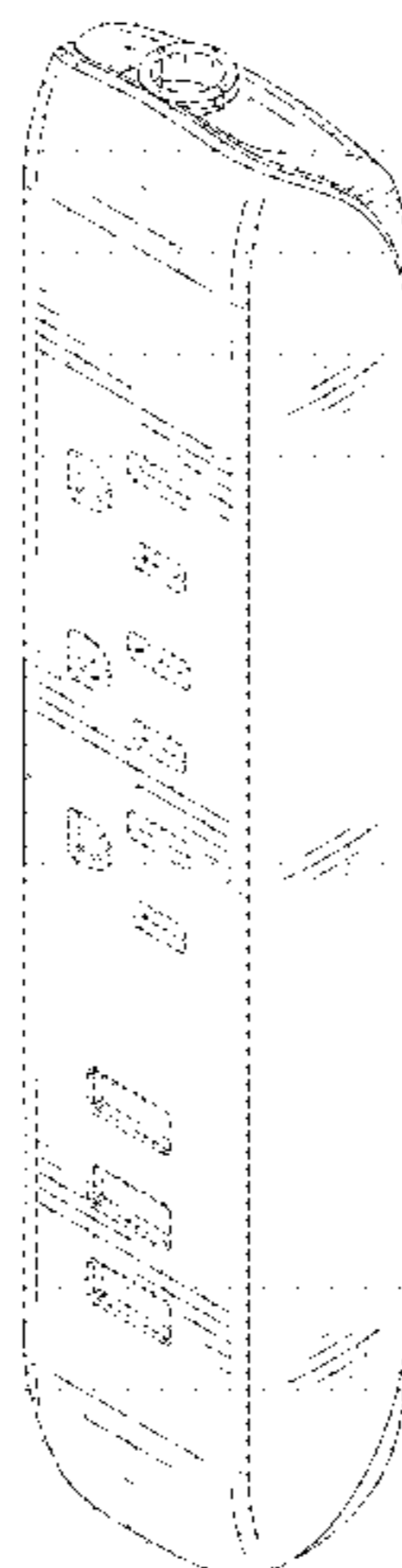
(Continued)

(56) **References Cited**

U.S. PATENT DOCUMENTS

D379,965 S \* 6/1997 Parshad ..... D13/139.6  
D400,505 S \* 11/1998 Yu ..... D13/139.6

(Continued)



The broken lines shown in the drawings are for the purposes of illustrating portions of the article that form no part of the claimed design.

1 Claim, 8 Drawing Sheets

D801,276	S	*	10/2017	Lin	.....	D13/139.7
D808,906	S	*	1/2018	Tinaphong	.....	D13/137.2
D864,112	S	*	10/2019	Chen	.....	D13/110
D920,253	S	*	5/2021	Tao	.....	D13/137.2
D920,254	S	*	5/2021	Tao	.....	D13/137.2
D922,327	S	*	6/2021	Tao	.....	D13/137.2

FOREIGN PATENT DOCUMENTS

CN	306412270	*	3/2021
GB	6115168	*	1/2021

OTHER PUBLICATIONS

“Power Strip Surge Protector,6 AC Outlets Power Strip with 3 USB Charging Ports(3x2.4A ),Slide-to-Close Outlet Covers and 5 ft Extension Cord, 1250W/10A, 1200 Joules,for Home, Office and Hotel,White”, first available Jun. 5, 2021. Amazon.com [https://www.amazon.com/Protector-AC-Outlets-USB-Ports/dp/B (Year: 2021) 0928LWD89/ref=sr\_1\_8?dchild=1&keywords=power+strip&qid=1624975234&sr=8-8.\*

\* cited by examiner

(58) Field of Classification Search

CPC .. 13/4022; G06F 13/382; G06F 1/1632; G06F 1/1684; G06F 1/20; G06F 1/1607; H02J 7/0062; H02J 2007/0062; H02J 7/00043; H02J 7/0021; H02J 7/0026; H02J 7/0027; H02J 7/0045; H02H 13/16; H02G 3/088

See application file for complete search history.

(56) References Cited

U.S. PATENT DOCUMENTS

D402,963	S	*	12/1998	Parshad	.....	D13/139.6
D425,863	S	*	5/2000	Yu	.....	D13/139.6
D537,041	S	*	2/2007	Chesebro	.....	D13/139.8
D549,657	S	*	8/2007	Ng	.....	D13/139.8

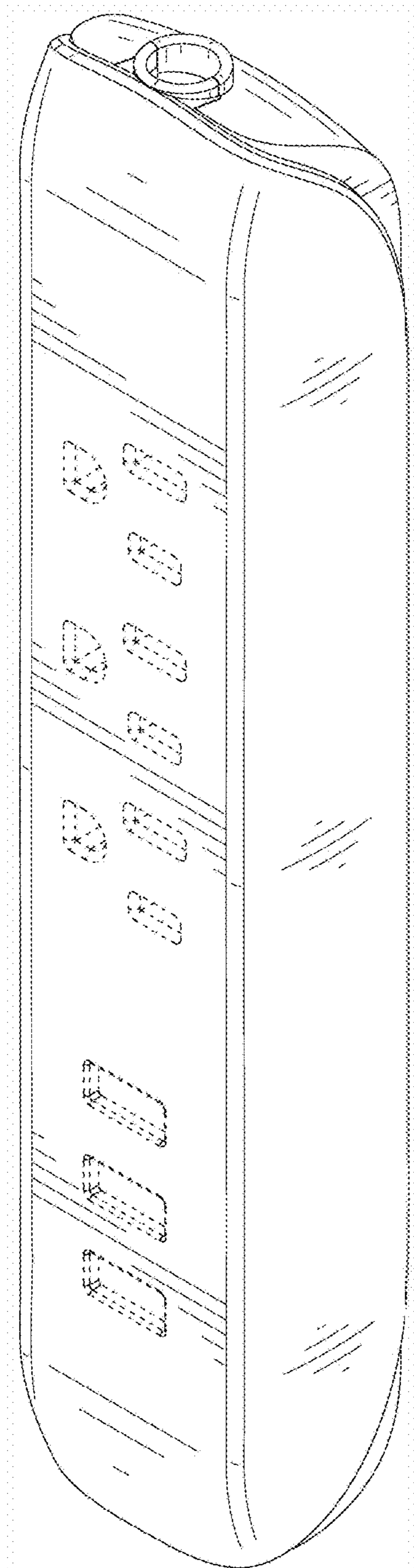


FIG.1

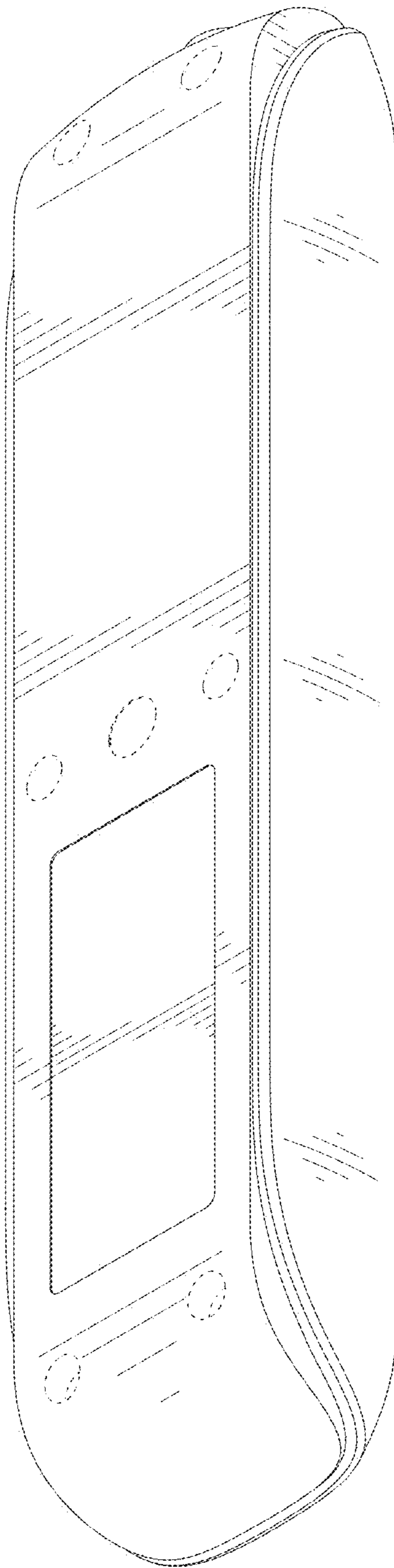


FIG.2

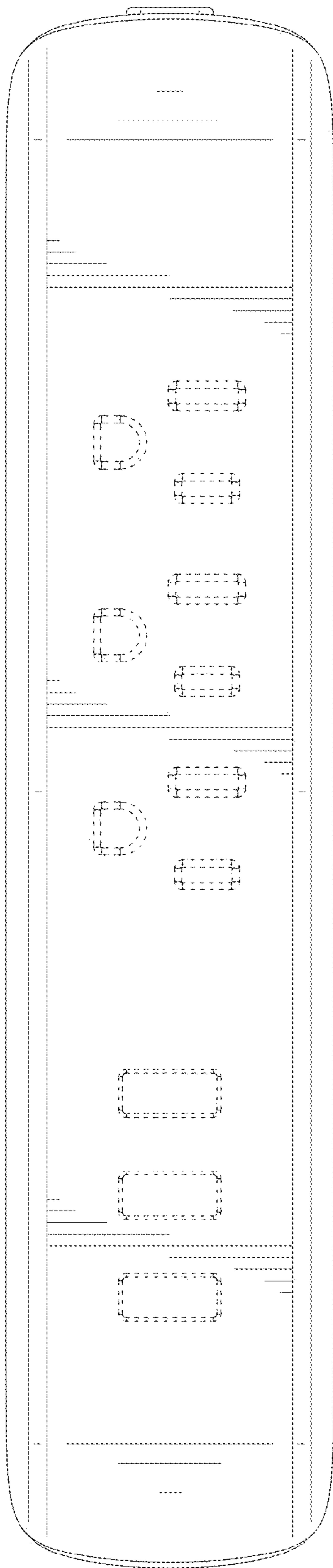


FIG.3



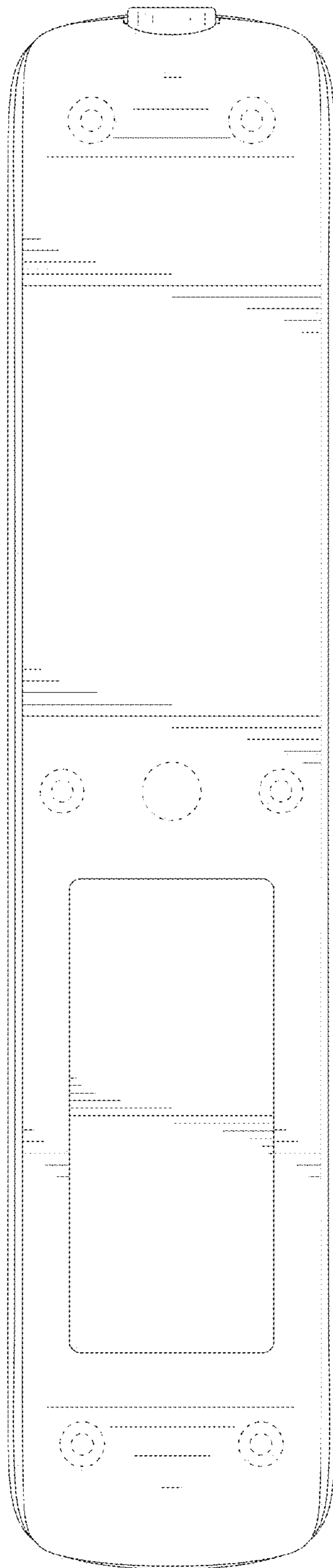


FIG.4

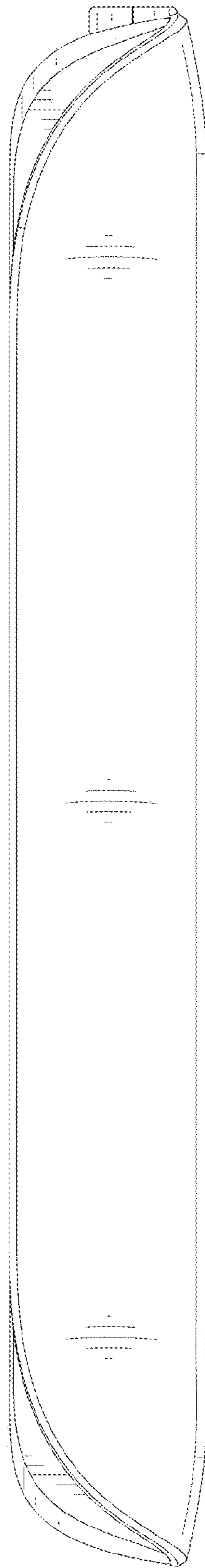


FIG.5

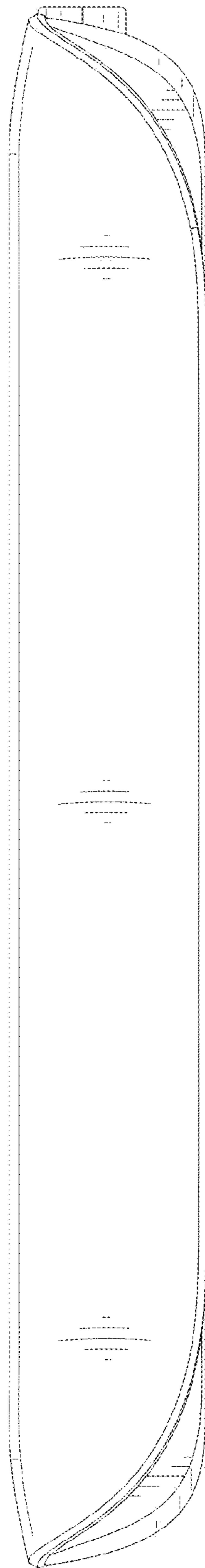


FIG.6



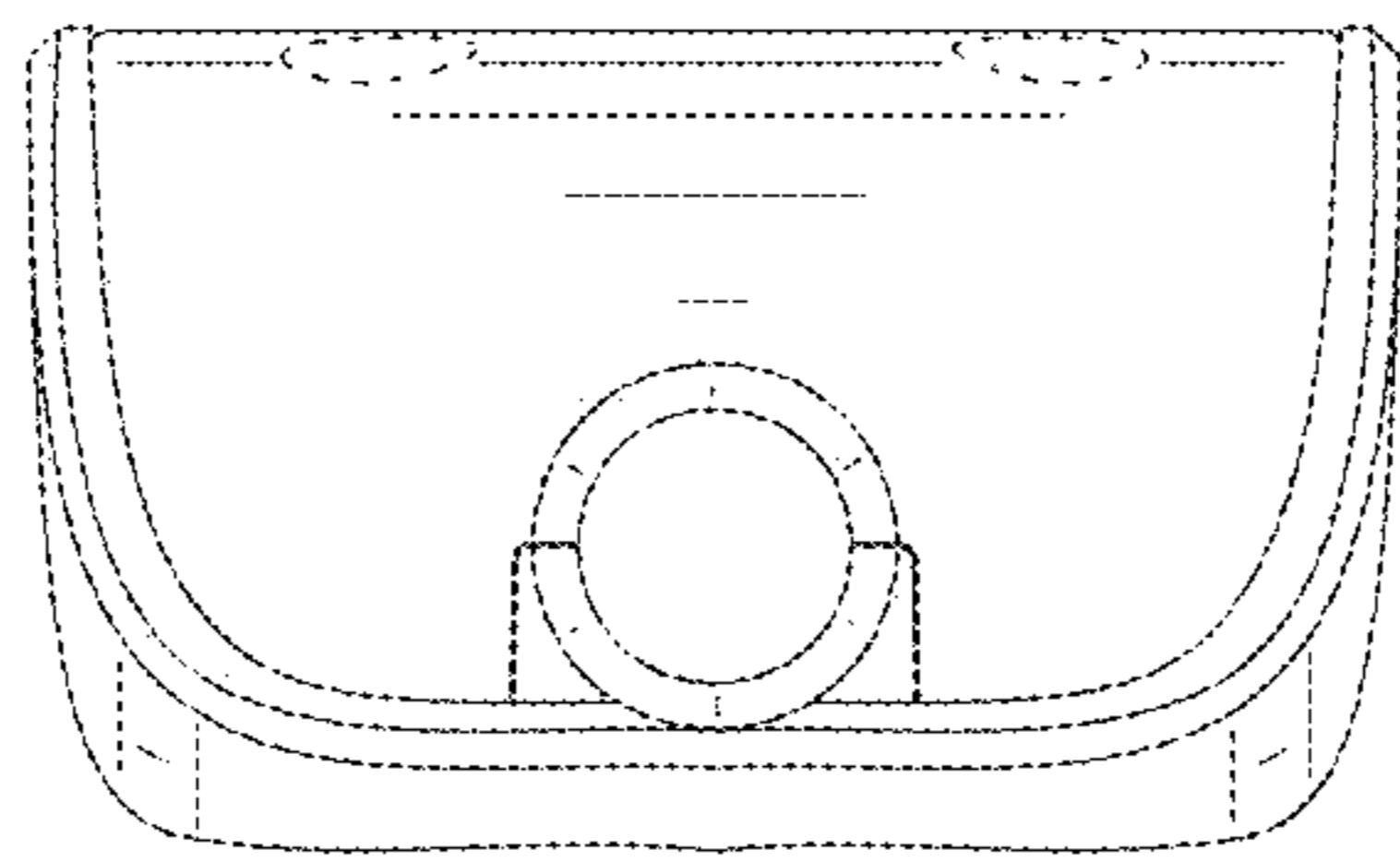


FIG.7

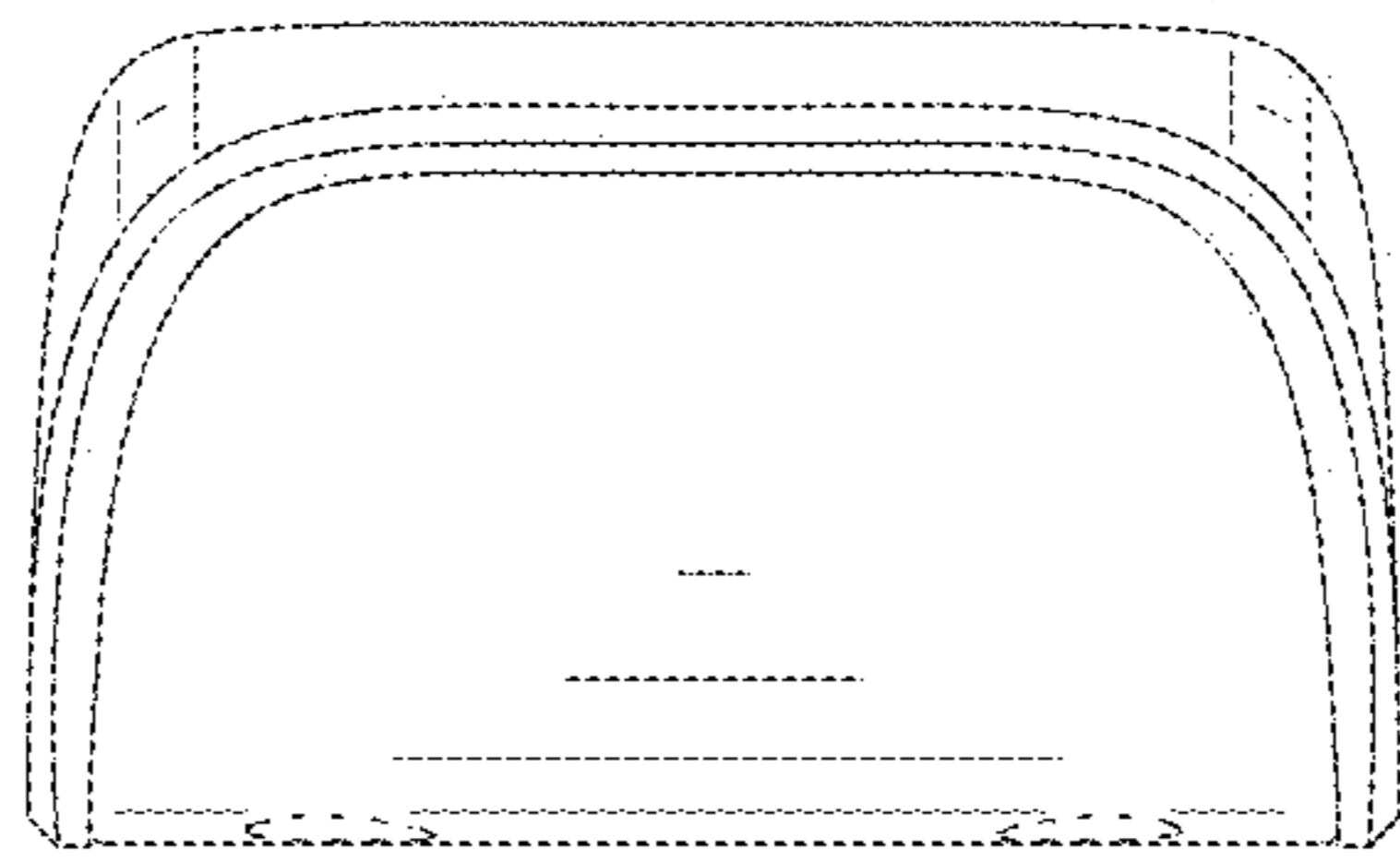


FIG.8