



US00D937214S

(12) **United States Design Patent**
Kondo

(10) **Patent No.:** **US D937,214 S**

(45) **Date of Patent:** **** Nov. 30, 2021**

(54) **ELECTRICAL CONNECTOR**

(71) Applicant: **SUMITOMO WIRING SYSTEMS, LTD.**, Mie-ken (JP)

(72) Inventor: **Tomoyuki Kondo**, Yokkaichi (JP)

(73) Assignee: **SUMITOMO WIRING SYSTEMS, LTD.**, Mie-Ken (JP)

(**) Term: **15 Years**

(21) Appl. No.: **29/717,215**

(22) Filed: **Dec. 16, 2019**

(30) **Foreign Application Priority Data**

Jun. 20, 2019 (JP) 2019-013631

(51) **LOC (13) Cl.** **13-03**

(52) **U.S. Cl.**
USPC **D13/133**

(58) **Field of Classification Search**

USPC D13/133, 146, 147, 123, 184, 199, 118,
D13/120, 154, 155, 173, 103, 158, 112,
D13/122

CPC H01R 13/52; H01R 13/74; H01R 13/5213;
H01R 2201/00; H01R 2201/26; H01R
9/223

See application file for complete search history.

(56) **References Cited**

U.S. PATENT DOCUMENTS

8,568,159 B2 * 10/2013 Noda H01R 13/5812
439/470
9,997,858 B2 * 6/2018 Mogi H01R 13/434
10,236,618 B1 * 3/2019 Irish H01R 13/516
10,505,355 B2 * 12/2019 Matsuura H02G 3/16
D894,836 S * 9/2020 Obata D13/133
10,903,634 B2 * 1/2021 Miyamoto H02G 3/18
D913,929 S * 3/2021 DeKeuster D13/119
10,944,223 B2 * 3/2021 Takeuchi H01R 13/748
2013/0309897 A1 * 11/2013 Jodon De Villeroche
H01R 13/62927
439/345

2016/0079706 A1 * 3/2016 Grudzewski B60R 16/0215
439/345

2019/0052011 A1 * 2/2019 Kondo H01R 13/512

2019/0173224 A1 * 6/2019 Inoue H01R 13/5219

(Continued)

FOREIGN PATENT DOCUMENTS

JP 1450562 S 9/2012

OTHER PUBLICATIONS

Electrical Connectors. (Design—© Questel) orbit.com. [Online PDF compilation of references] 29 pgs. Print Dates Range Jul. 18, 2012-May 11, 2020. [Retrieved Feb. 4, 2021] <https://www.orbit.com/export/UCZAH96B/pdf4/12bbb92-1769-4778-9c54-dc7985d2eacf-191918.pdf> (Year: 2021).*

Primary Examiner — Brett Miller

Assistant Examiner — Landon Thomas Cassell

(74) *Attorney, Agent, or Firm* — Grogan, Tuccillo & Vanderleeden, LLP

(57) **CLAIM**

The ornamental design for an electrical connector, as shown and described.

DESCRIPTION

FIG. 1 is a front, top and left side perspective view of an electrical connector showing my new design;

FIG. 2 is a rear, bottom and right side perspective view thereof;

FIG. 3 is a front view thereof;

FIG. 4 is a rear view thereof;

FIG. 5 is a top plan view thereof;

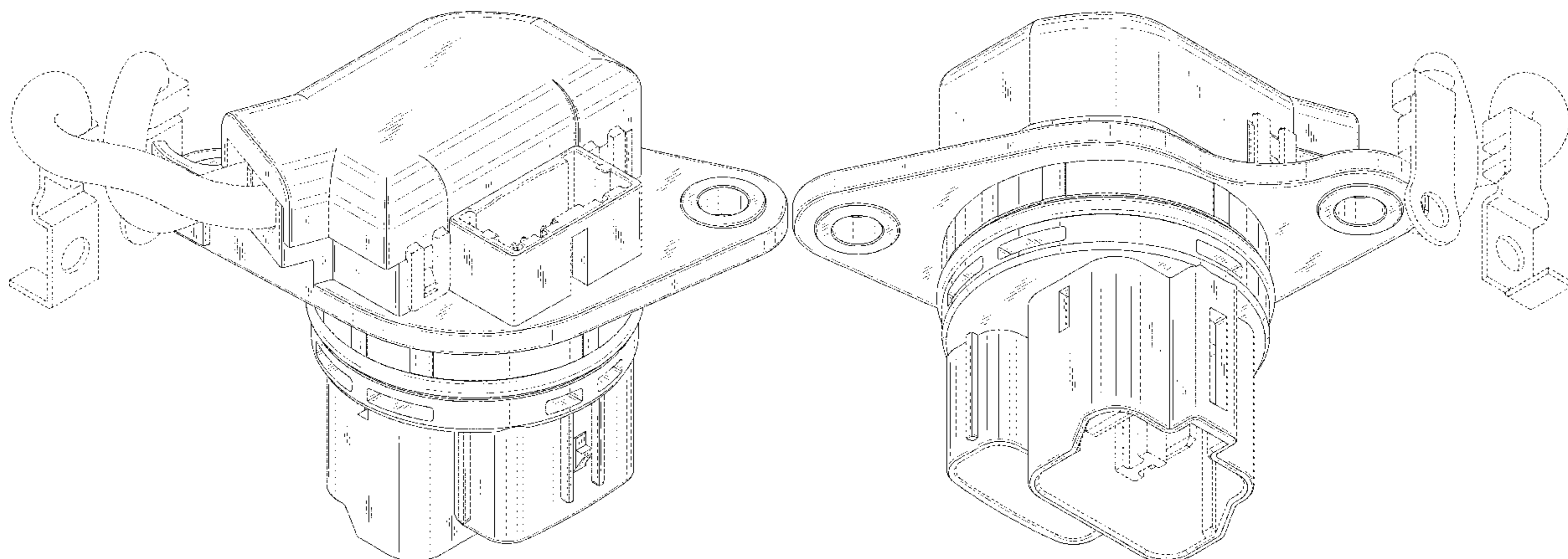
FIG. 6 is a bottom plan view thereof;

FIG. 7 is a right side view thereof; and,

FIG. 8 is a left side view thereof.

The broken lines illustrate portions of the electrical connector that form no part of the claimed design.

1 Claim, 8 Drawing Sheets



(56)

References Cited

U.S. PATENT DOCUMENTS

2019/0181627 A1* 6/2019 Matsuura H02G 3/14
2020/0328554 A1* 10/2020 Asano H05K 5/061
2020/0335919 A1* 10/2020 Ohtaka B60R 16/0222
2020/0350723 A1* 11/2020 Yamada B29C 45/14639
2020/0384875 A1* 12/2020 Rhodes B60L 53/302
2021/0044057 A1* 2/2021 Kondo H01R 13/5213
2021/0057834 A1* 2/2021 Nagayama H01R 9/24

* cited by examiner

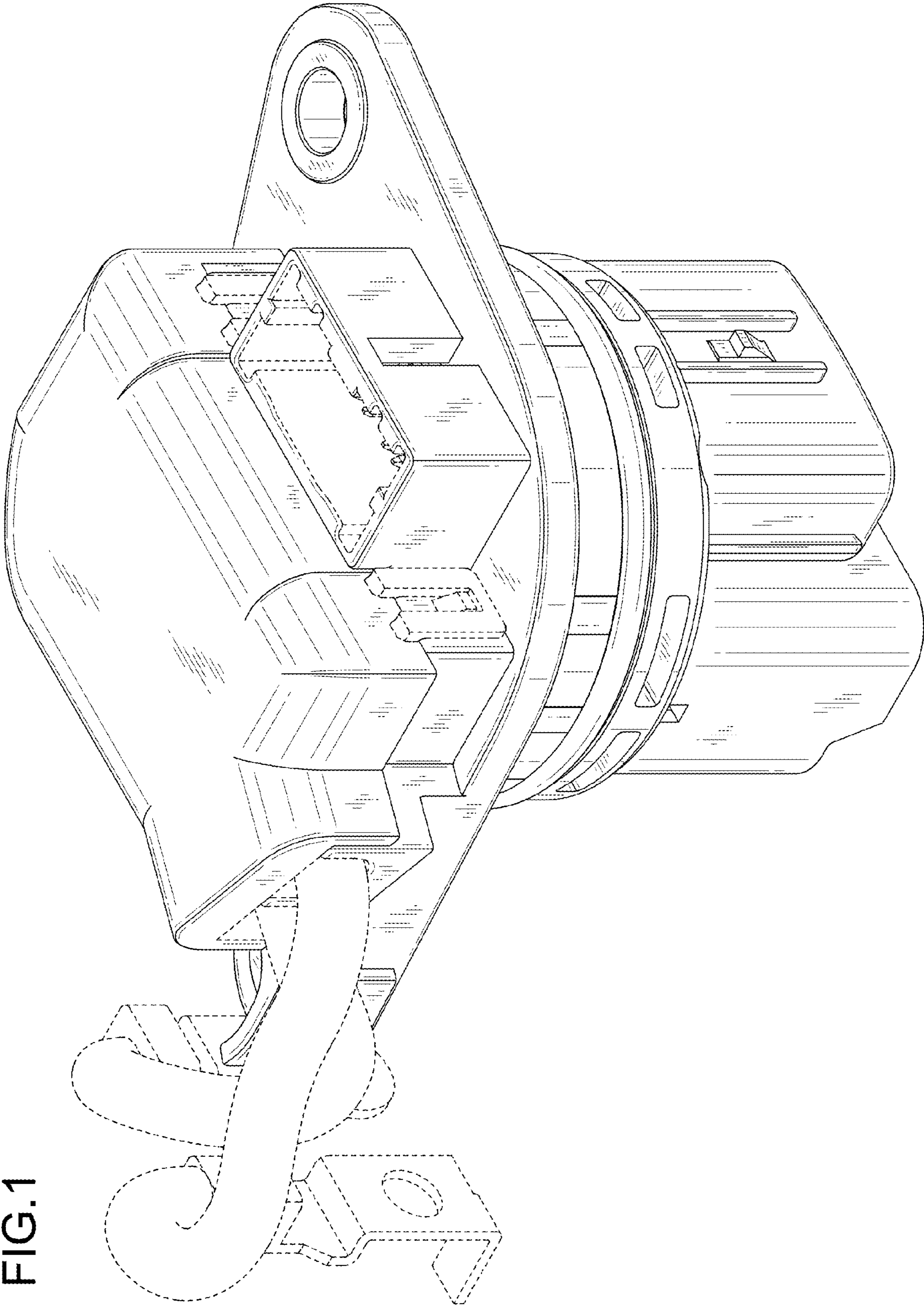


FIG. 1

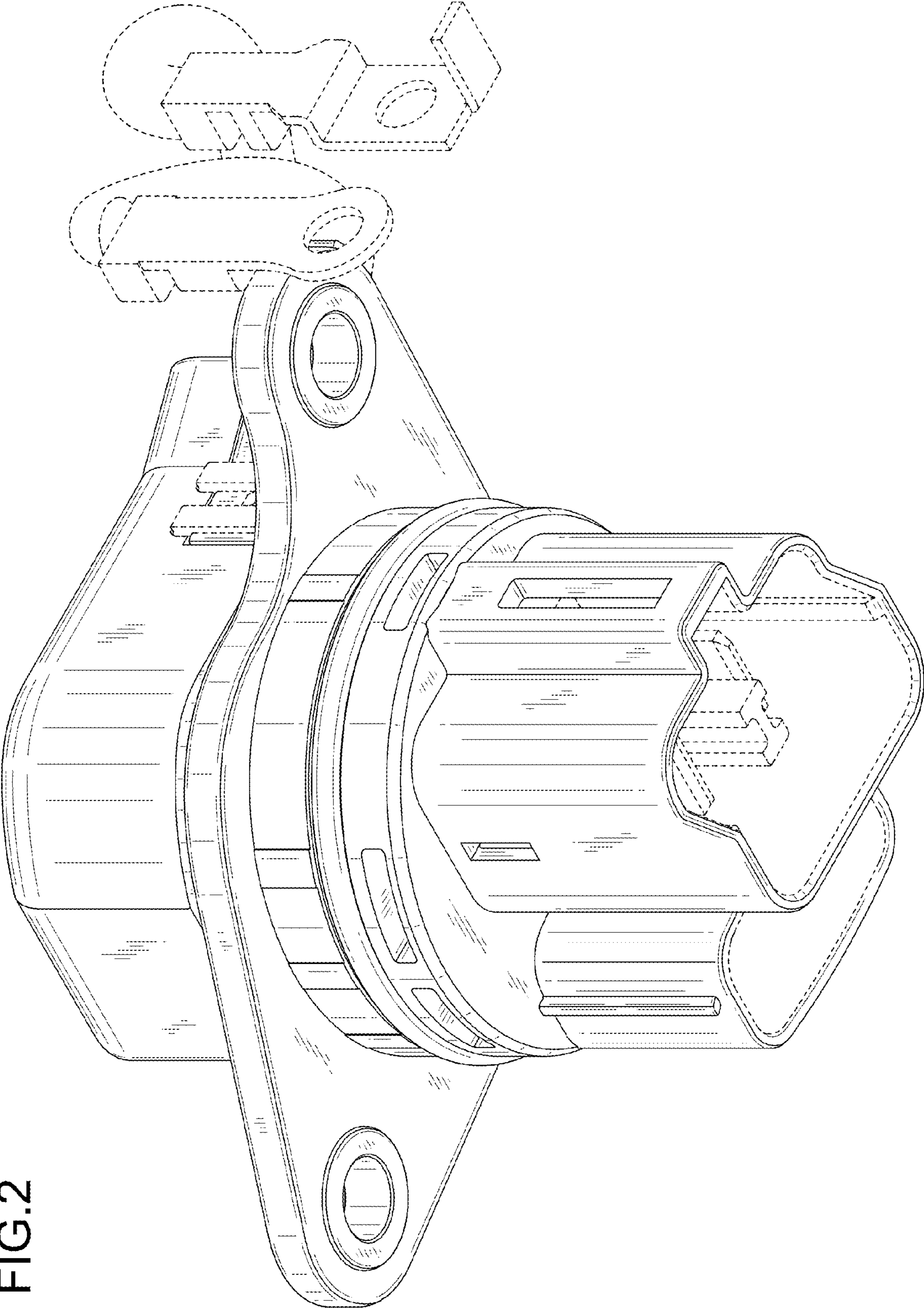


FIG.2

FIG.3

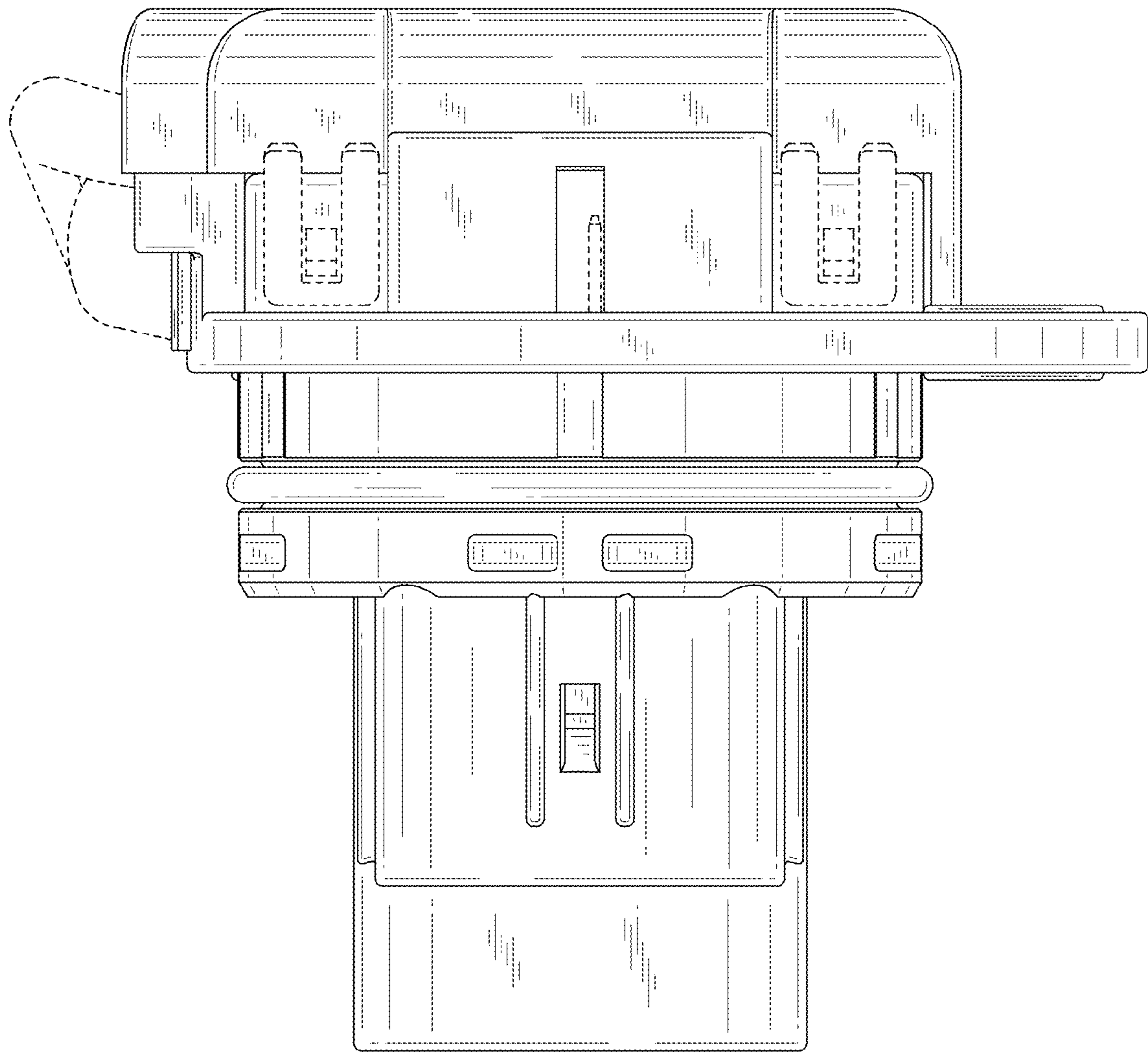


FIG.4

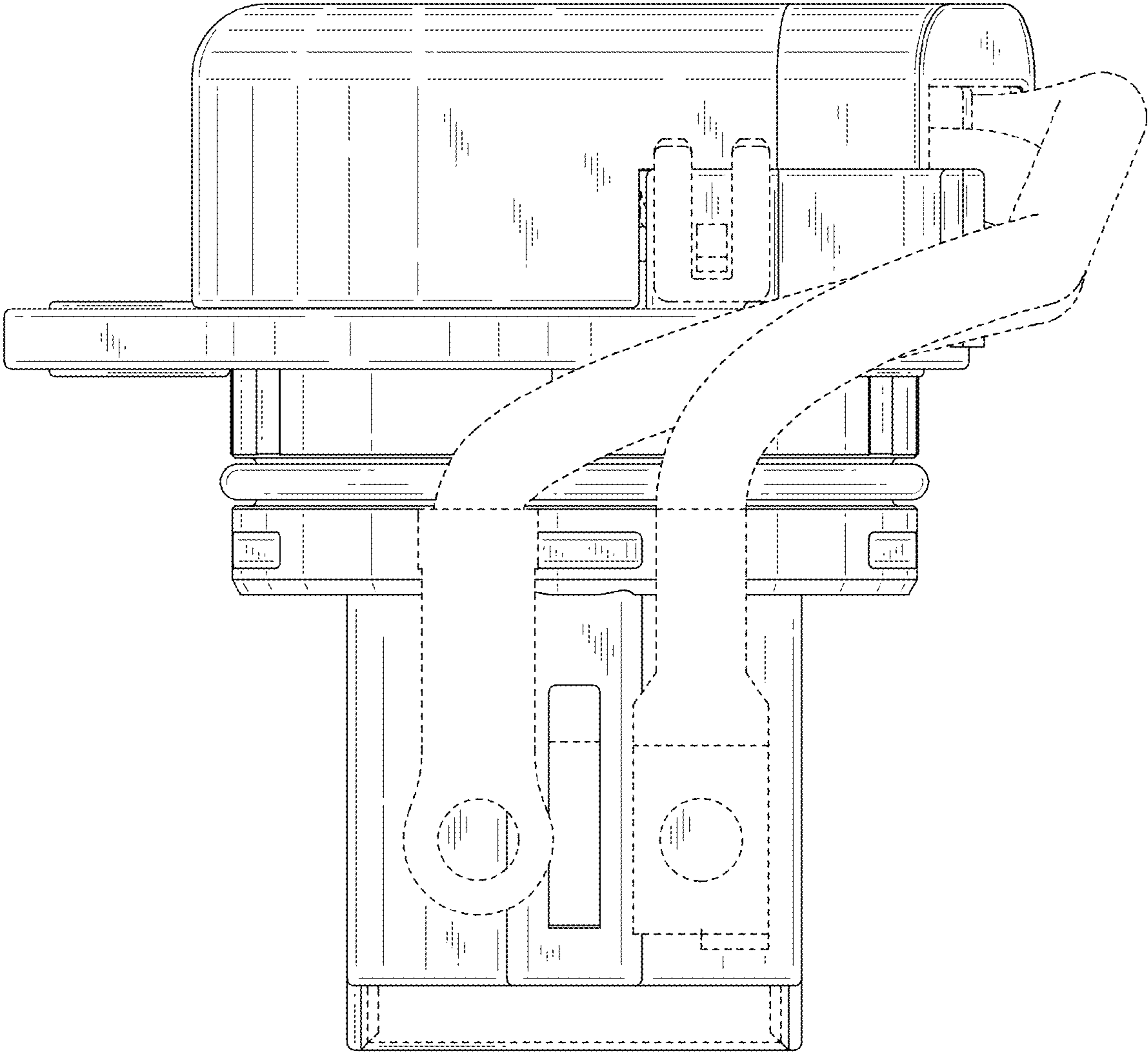


FIG.5

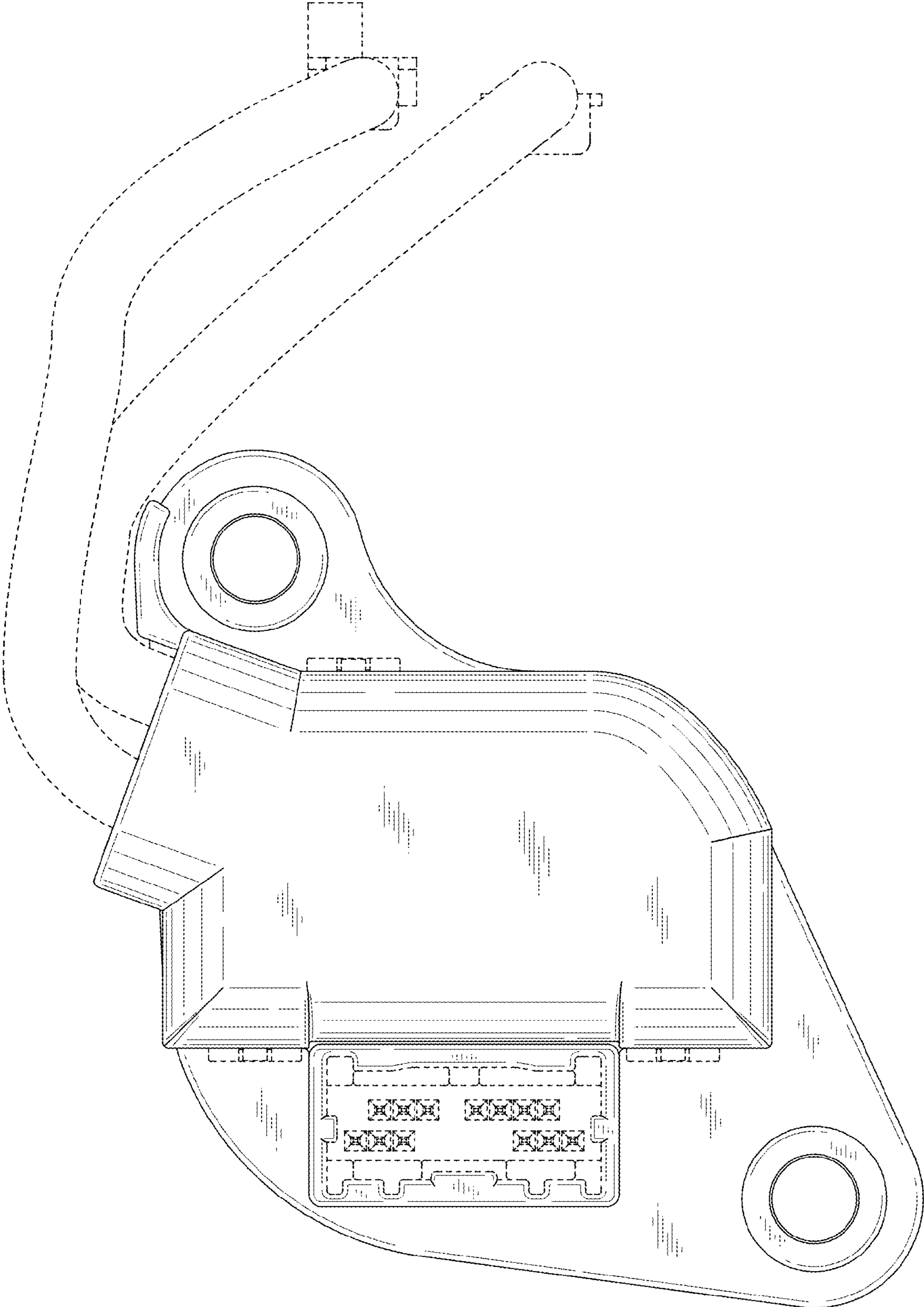
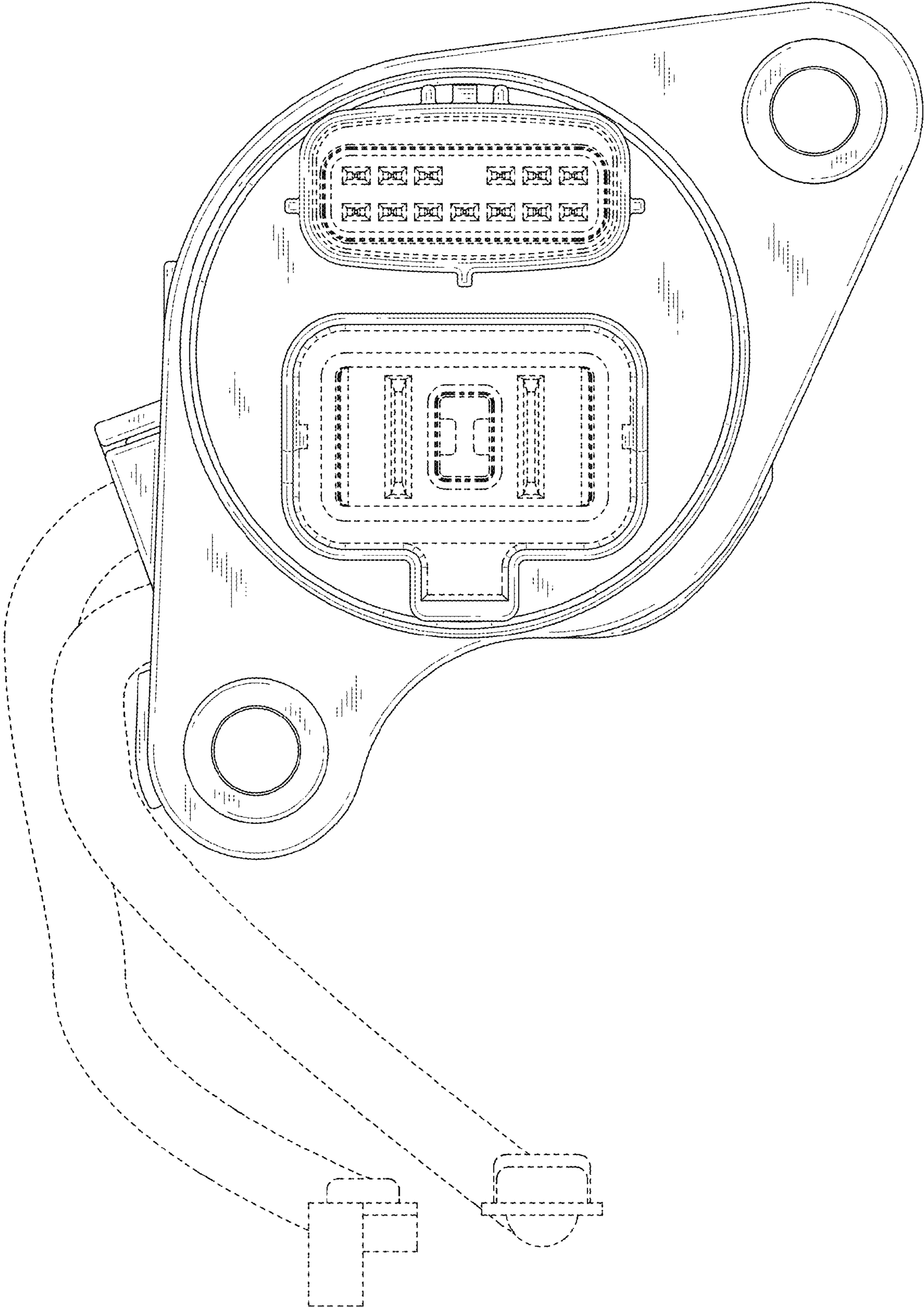


FIG.6



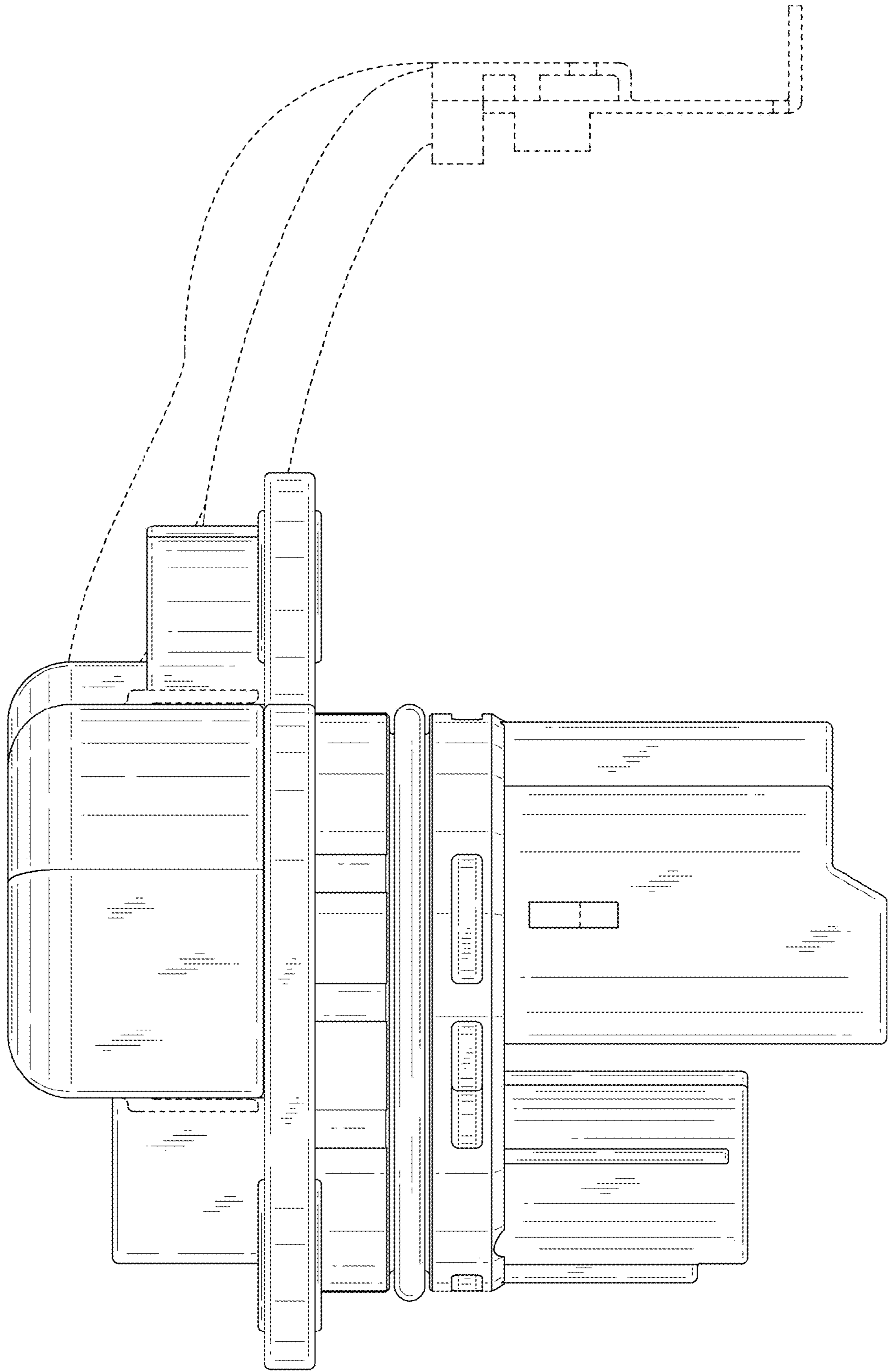


FIG.7

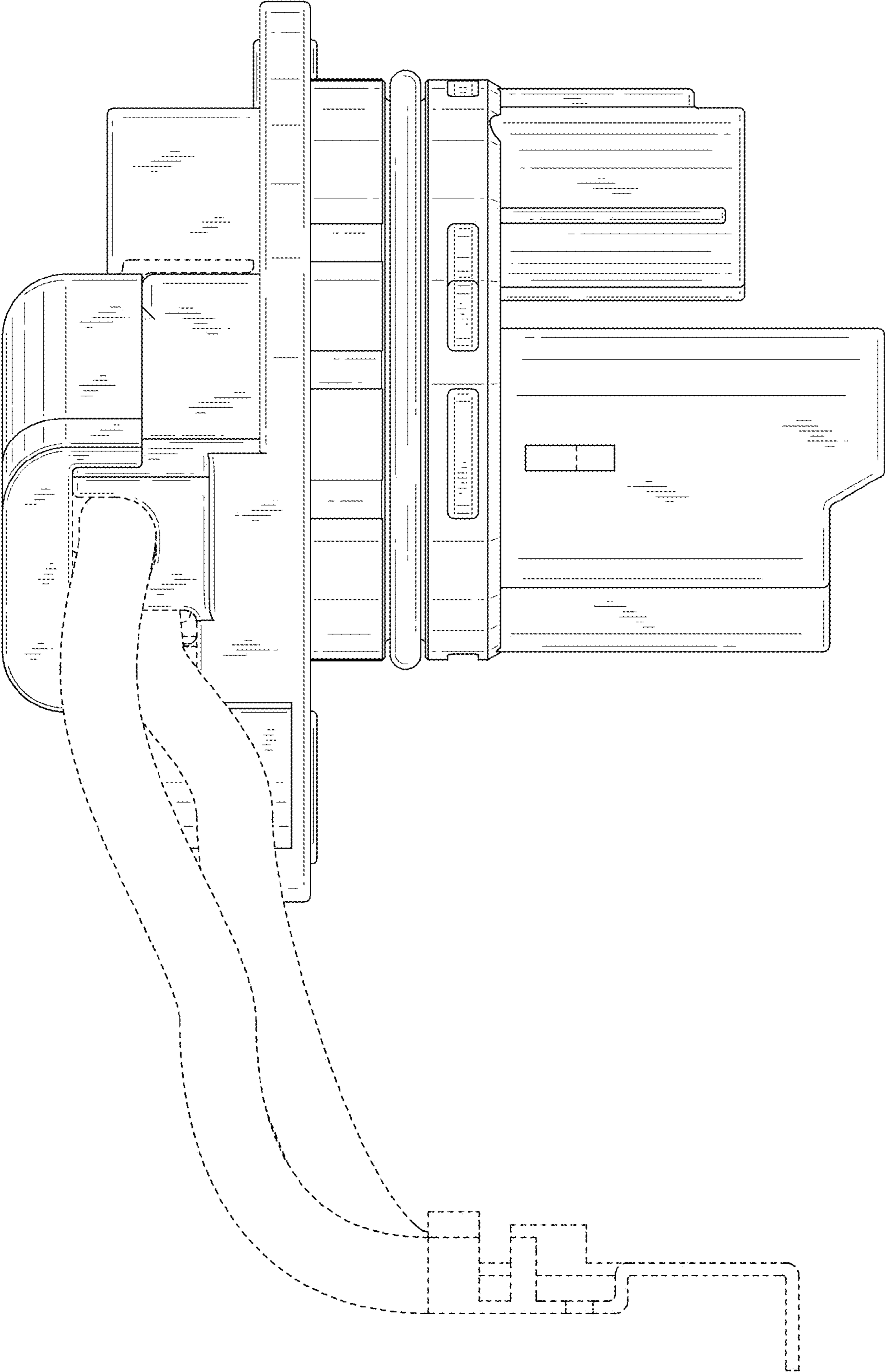


FIG.8