



US00D937213S

(12) **United States Design Patent** (10) **Patent No.:** **US D937,213 S**
C et al. (45) **Date of Patent:** **** Nov. 30, 2021**

(54) **CONNECTOR**
(71) Applicant: **Molex, LLC**, Lisle, IL (US)
(72) Inventors: **Krishnamurthy C**, Bangalore (IN);
Harsha Thyagaraj, Bangalore (IN);
Pierre Perez, Aurora, IL (US)
(73) Assignee: **Molex, LLC**, Lisle, IL (US)
(**) Term: **15 Years**
(21) Appl. No.: **29/700,196**
(22) Filed: **Jul. 31, 2019**
(51) **LOC (13) Cl.** **13-03**
(52) **U.S. Cl.**
USPC **D13/133**; D13/147
(58) **Field of Classification Search**
USPC D13/110, 118, 120, 133, 146, 147, 153,
D13/154; D14/433, 435
CPC .. H01R 13/506; H01R 13/516; H01R 13/518;
H01R 13/58; H01R 13/56315; H01R
13/62; H01R 13/64; H01R 13/641; H01R
9/09; H01R 9/11; H01R 13/41; H01R
13/4223; H01R 13/52; H01R 13/6272;
H01R 2107/00; H01R 24/20; H01R
4/185; H02G 3/086; Y10T 16/46
See application file for complete search history.

D810,033 S * 2/2018 Otsuka D13/173
D840,938 S * 2/2019 Hsu D13/147
D857,006 S * 8/2019 DeVito D14/256
D887,986 S * 6/2020 Ganamukhi D13/147
D894,126 S * 8/2020 Somanathapura Ramanna
D13/133
D896,181 S * 9/2020 Somanathapura Ramanna
D13/133
2012/0156918 A1 * 6/2012 Tao H01R 13/64
439/357

(Continued)

FOREIGN PATENT DOCUMENTS

IN 245823-0001 * 5/2013
TW D181746 3/2017
TW D184081 7/2017

(Continued)

Primary Examiner — Leanne Was-Englehart
(74) *Attorney, Agent, or Firm* — Banner & Witcoff, Ltd.

(57) **CLAIM**

The ornamental design for a connector, as shown and described.

DESCRIPTION

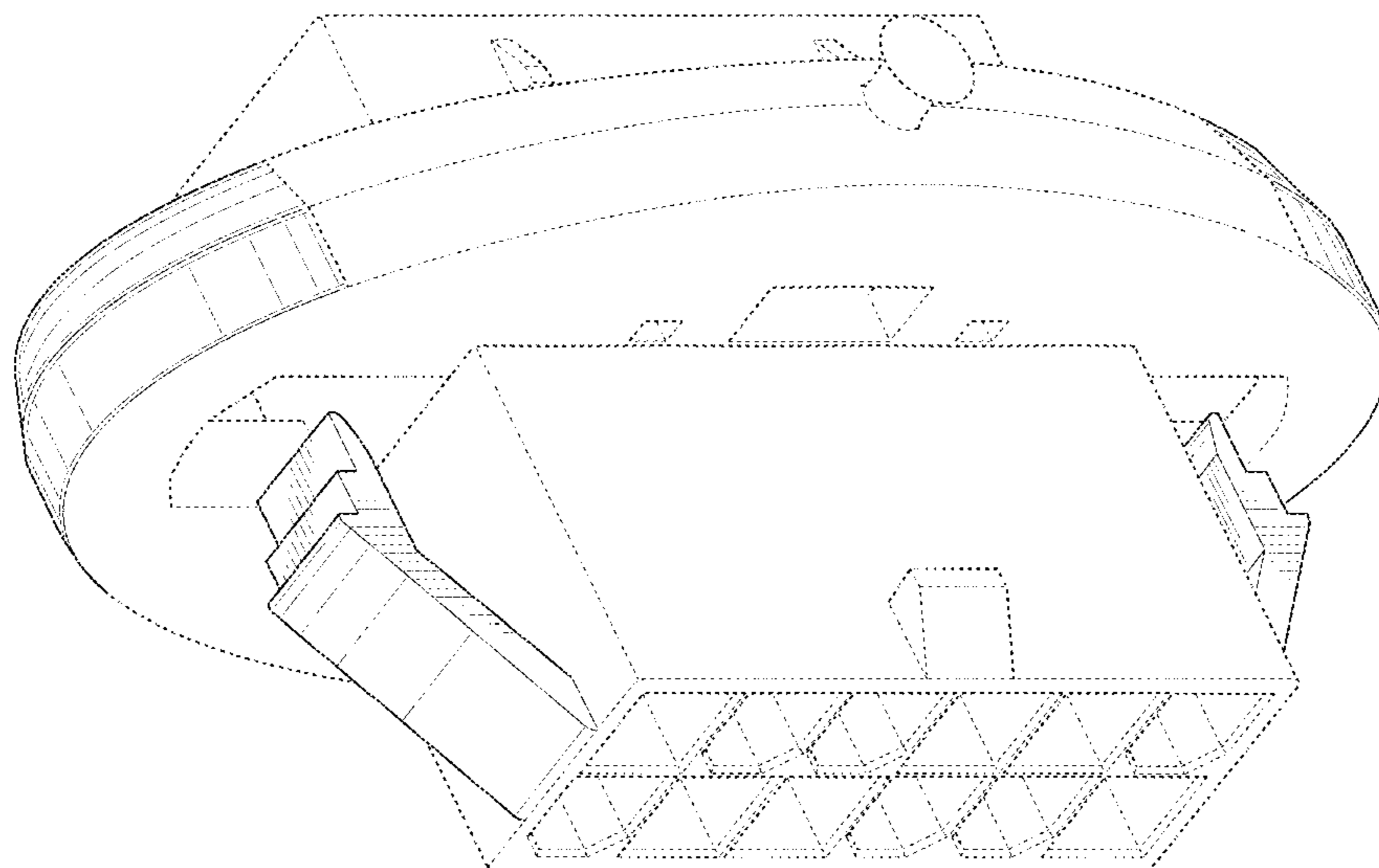
FIG. 1 is a front top perspective view of a connector showing our new design;
FIG. 2 is a front bottom perspective view thereof;
FIG. 3 is a rear perspective view thereof;
FIG. 4 is a front view thereof;
FIG. 5 is a rear view thereof;
FIG. 6 is a top view thereof;
FIG. 7 is a bottom view thereof;
FIG. 8 is a right side view thereof; and,
FIG. 9 is a left side view thereof.
The broken lines immediately adjacent to the shaded areas represent the bounds of the claimed design and form no part thereof. The broken lines depicting the remainder of the connector show features that form no part of the claimed design.

1 Claim, 9 Drawing Sheets

(56) **References Cited**

U.S. PATENT DOCUMENTS

3,432,802 A * 3/1969 Ritchie H01R 13/506
439/465
5,658,156 A * 8/1997 Henderson H01R 12/716
439/79
5,697,805 A * 12/1997 Orstad H01R 13/6315
439/374
D410,629 S * 6/1999 Bandura D13/147
D434,384 S * 11/2000 Hwang D13/147
D463,371 S * 9/2002 Lee D13/147
D488,778 S * 4/2004 Ushiro D13/133



(56)

References Cited

U.S. PATENT DOCUMENTS

2014/0308841 A1* 10/2014 Zhu H01R 13/64
439/357

FOREIGN PATENT DOCUMENTS

TW D184083 7/2017
WO D206920-011 * 7/2020

* cited by examiner

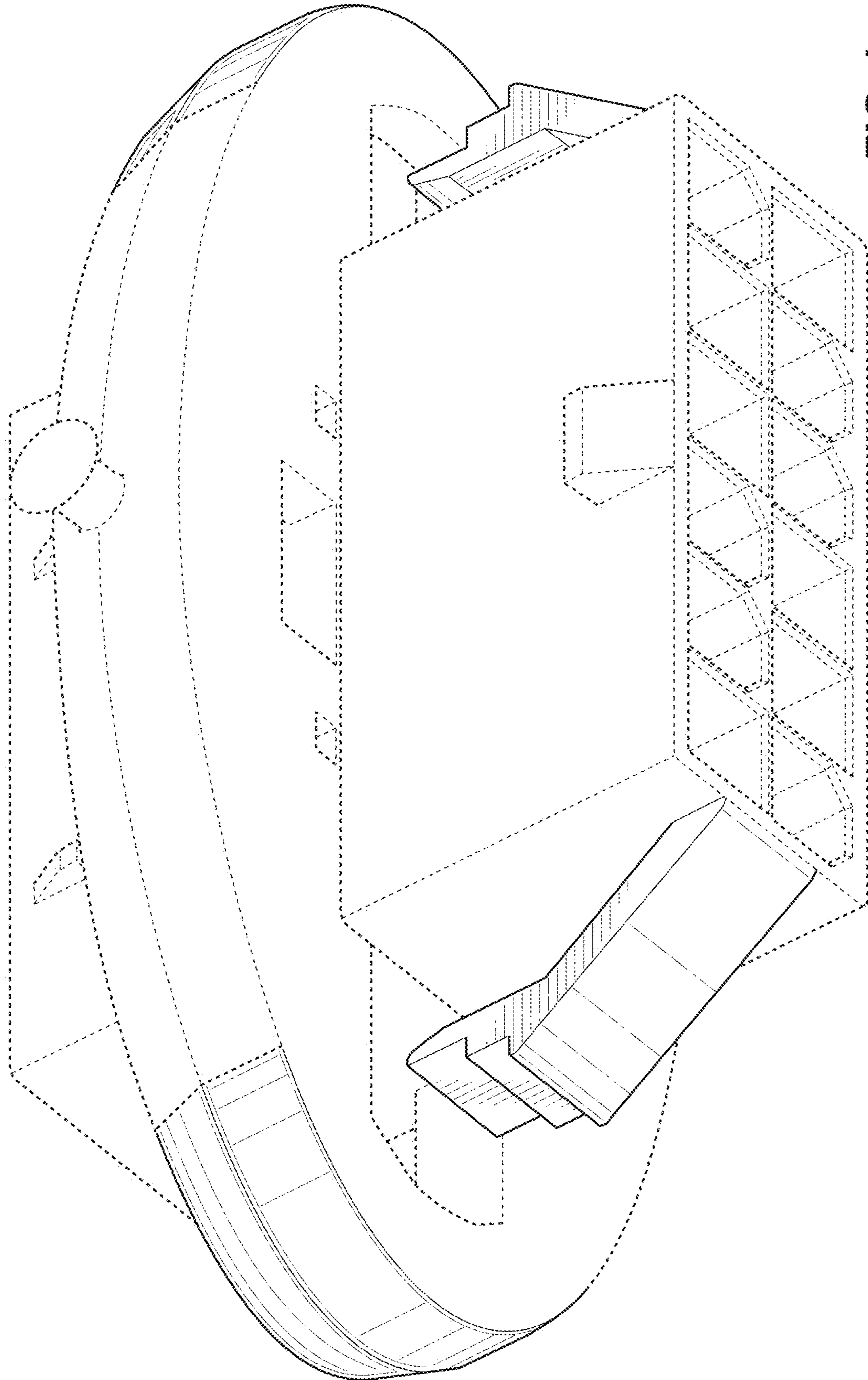


FIG. 1

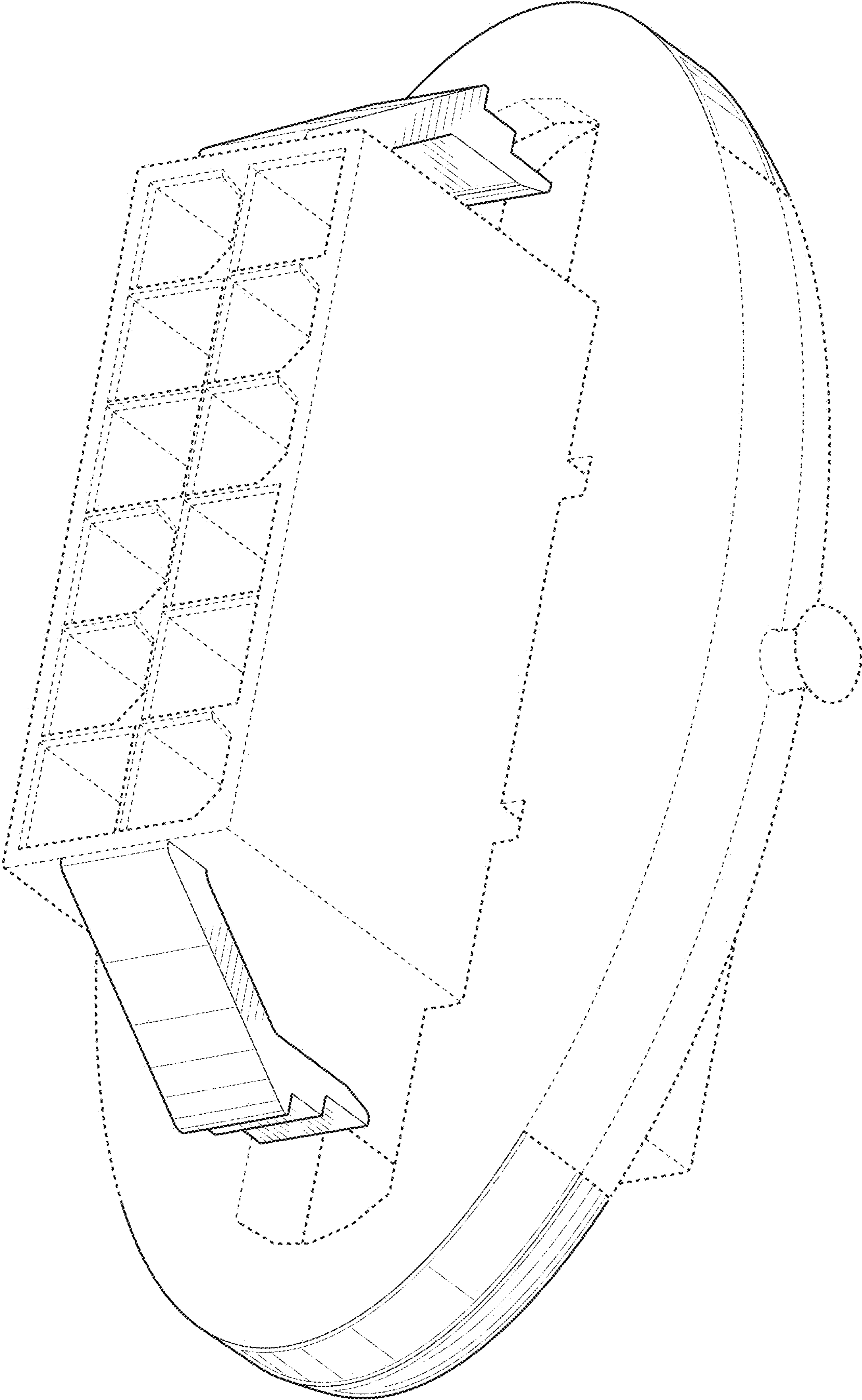


FIG. 2

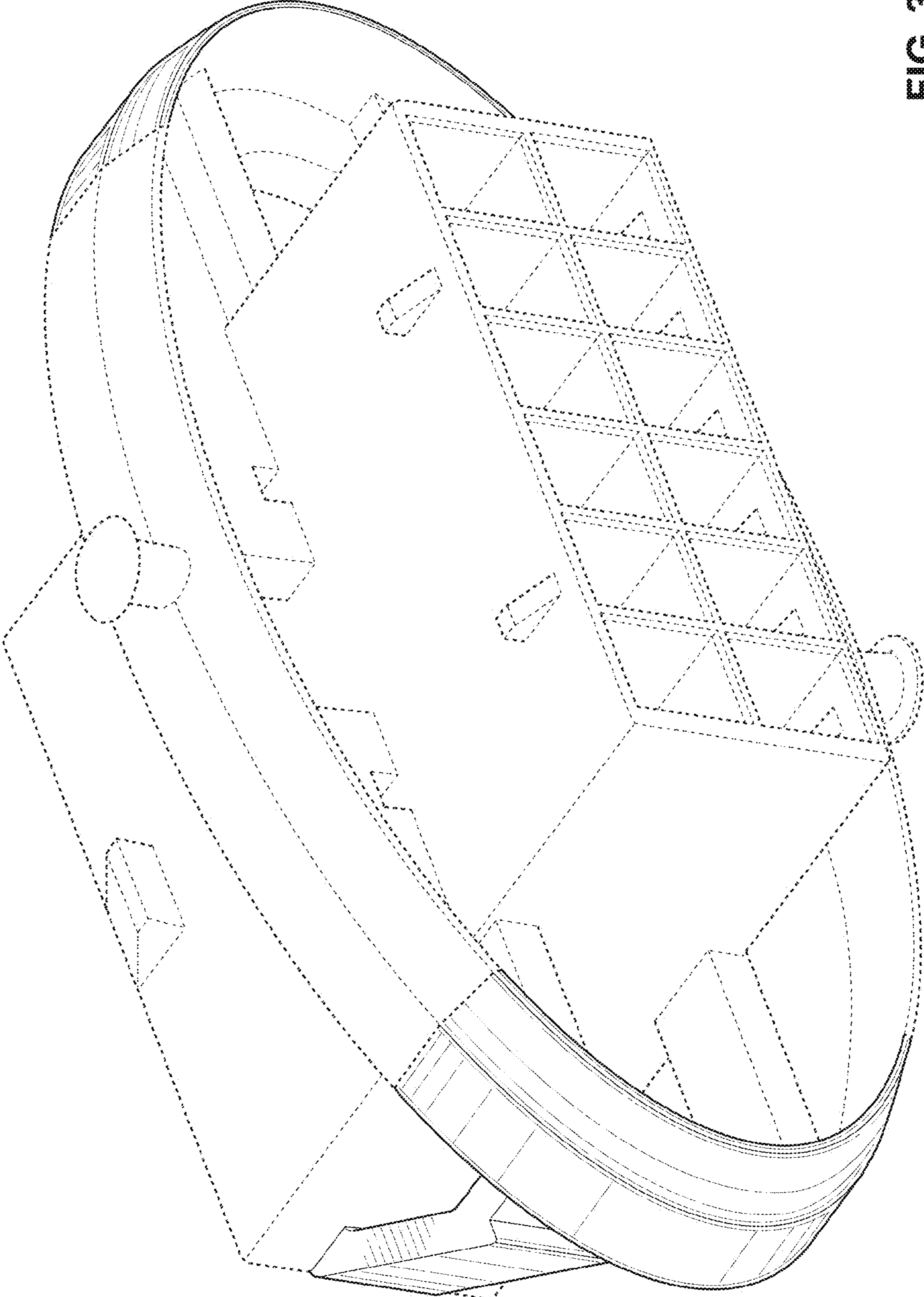


FIG. 3

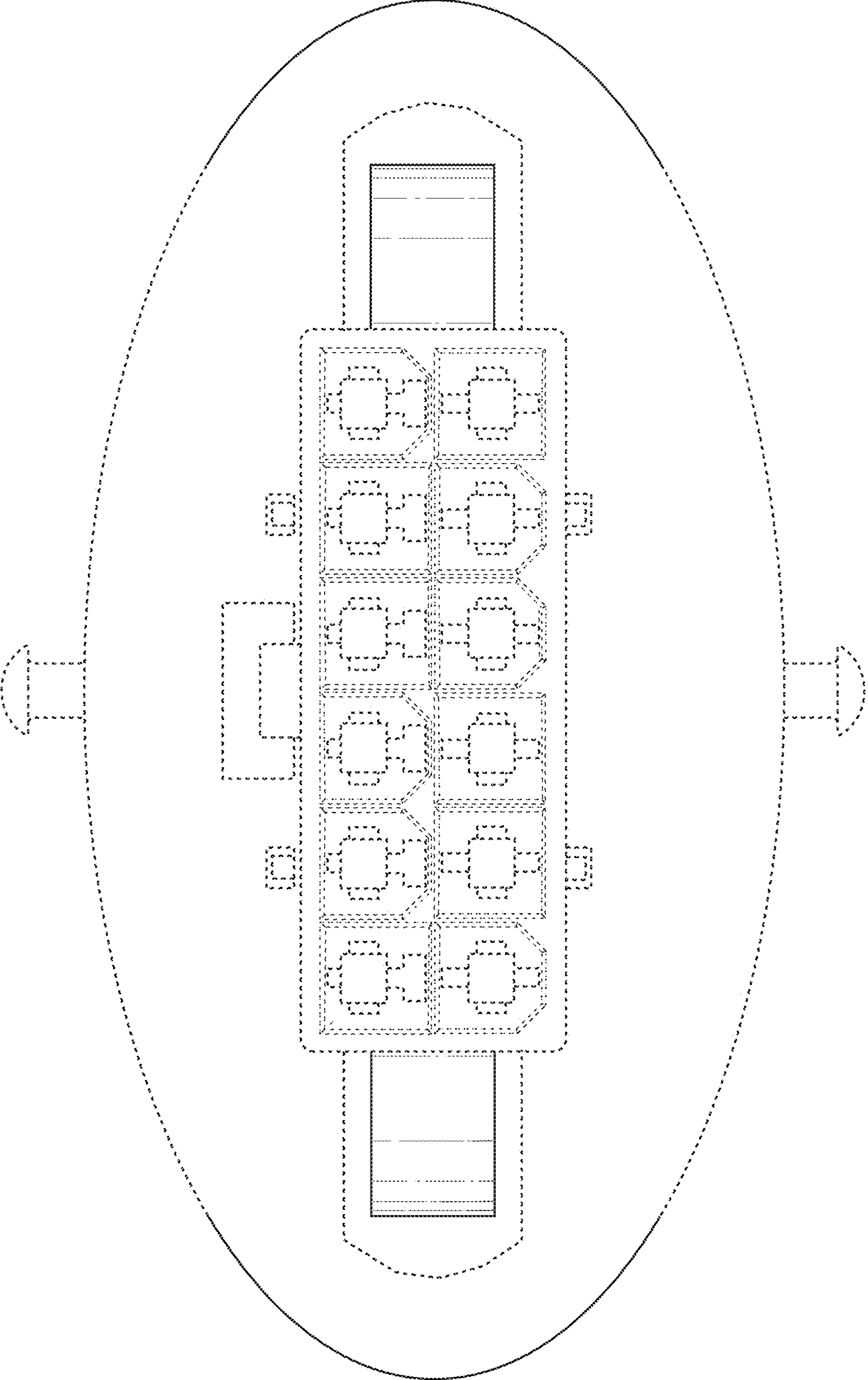


FIG. 4

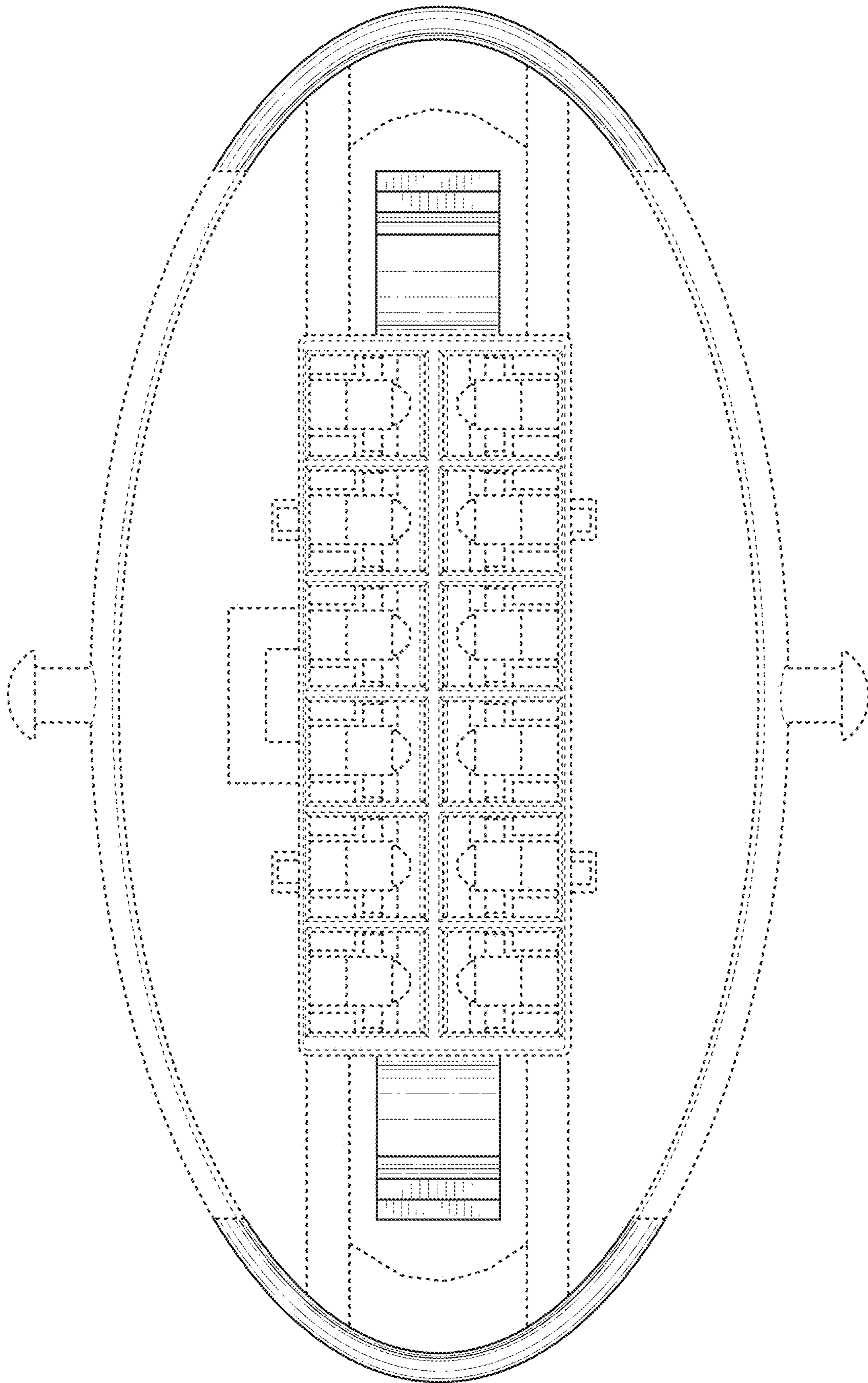


FIG. 5

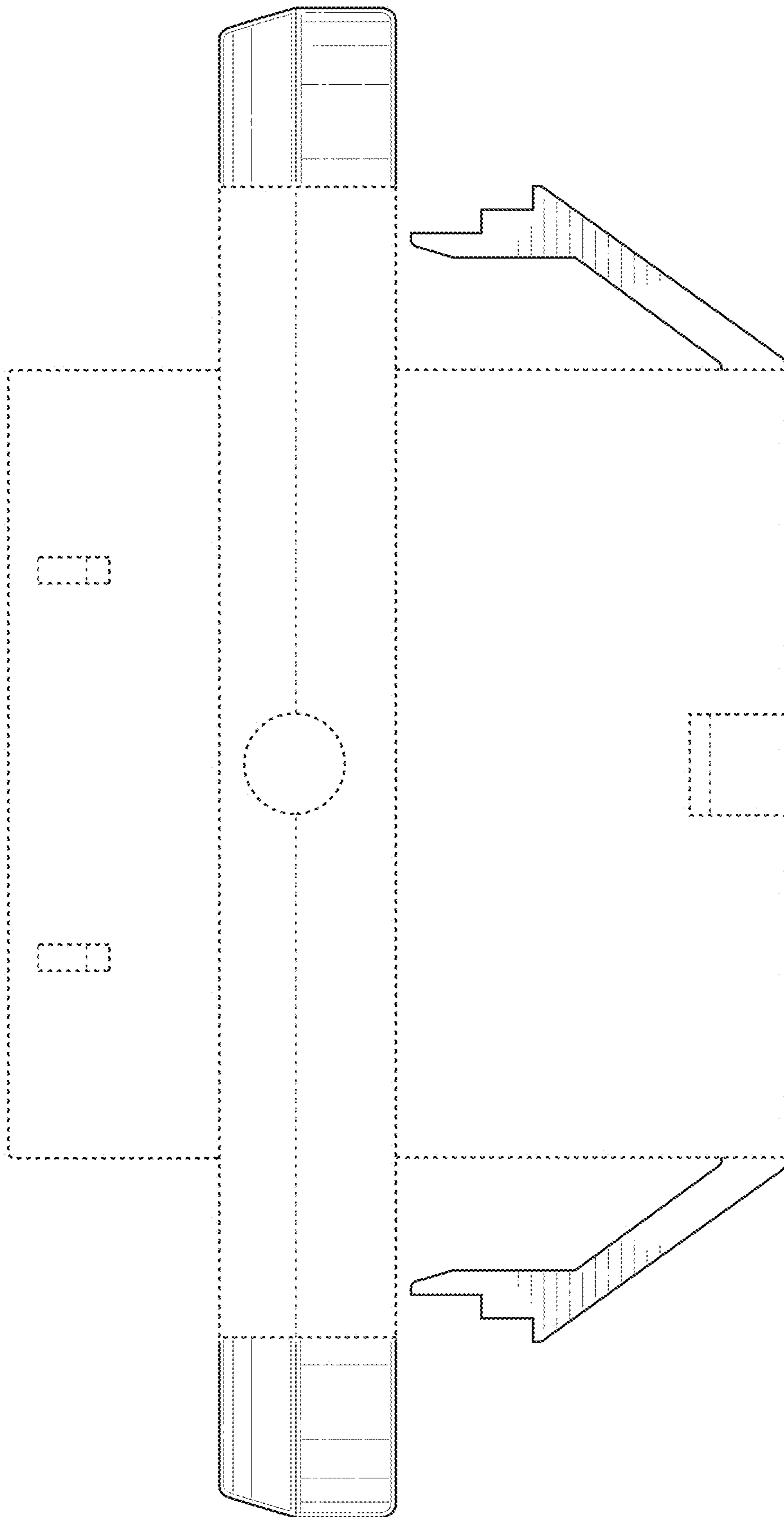


FIG. 6

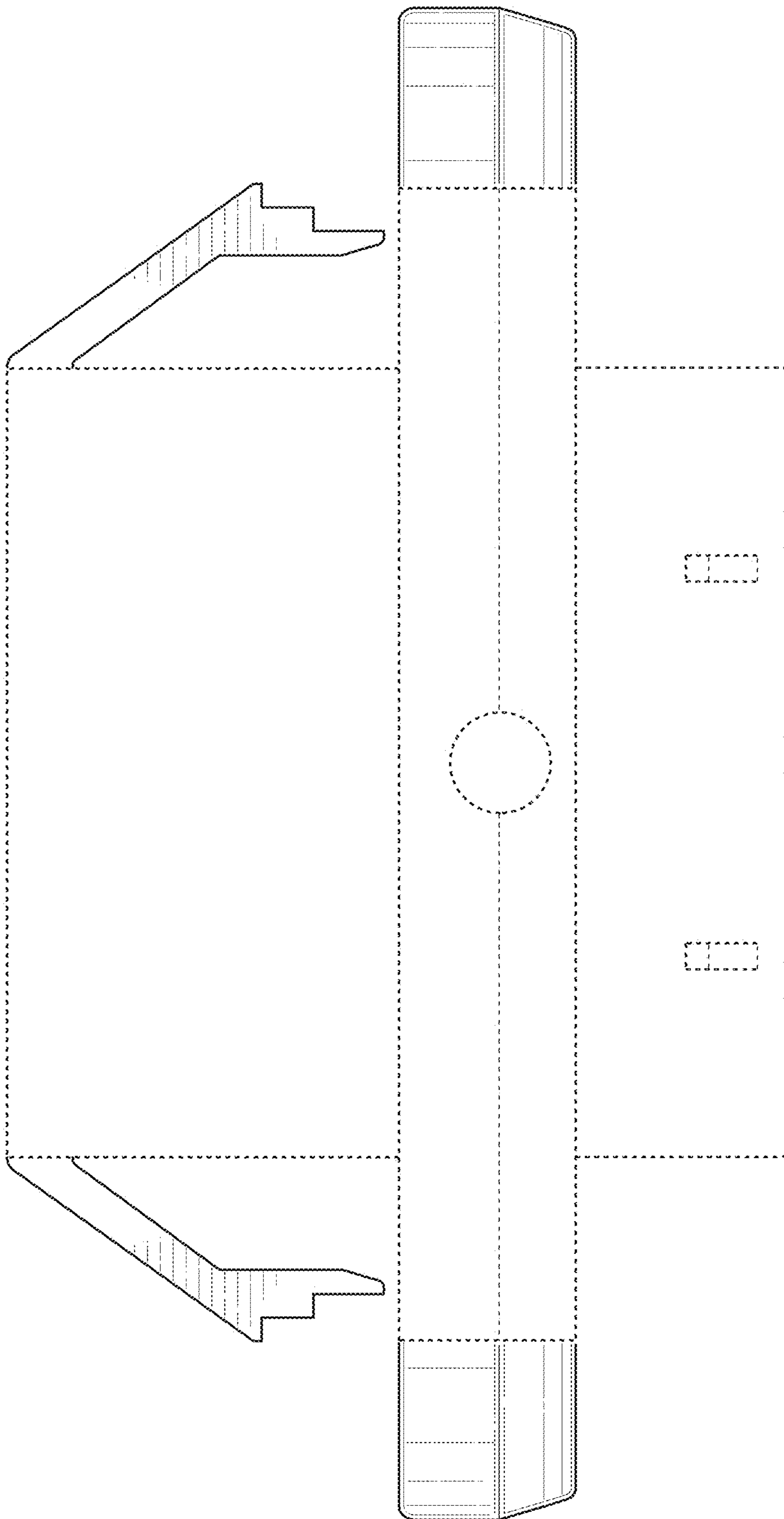


FIG. 7

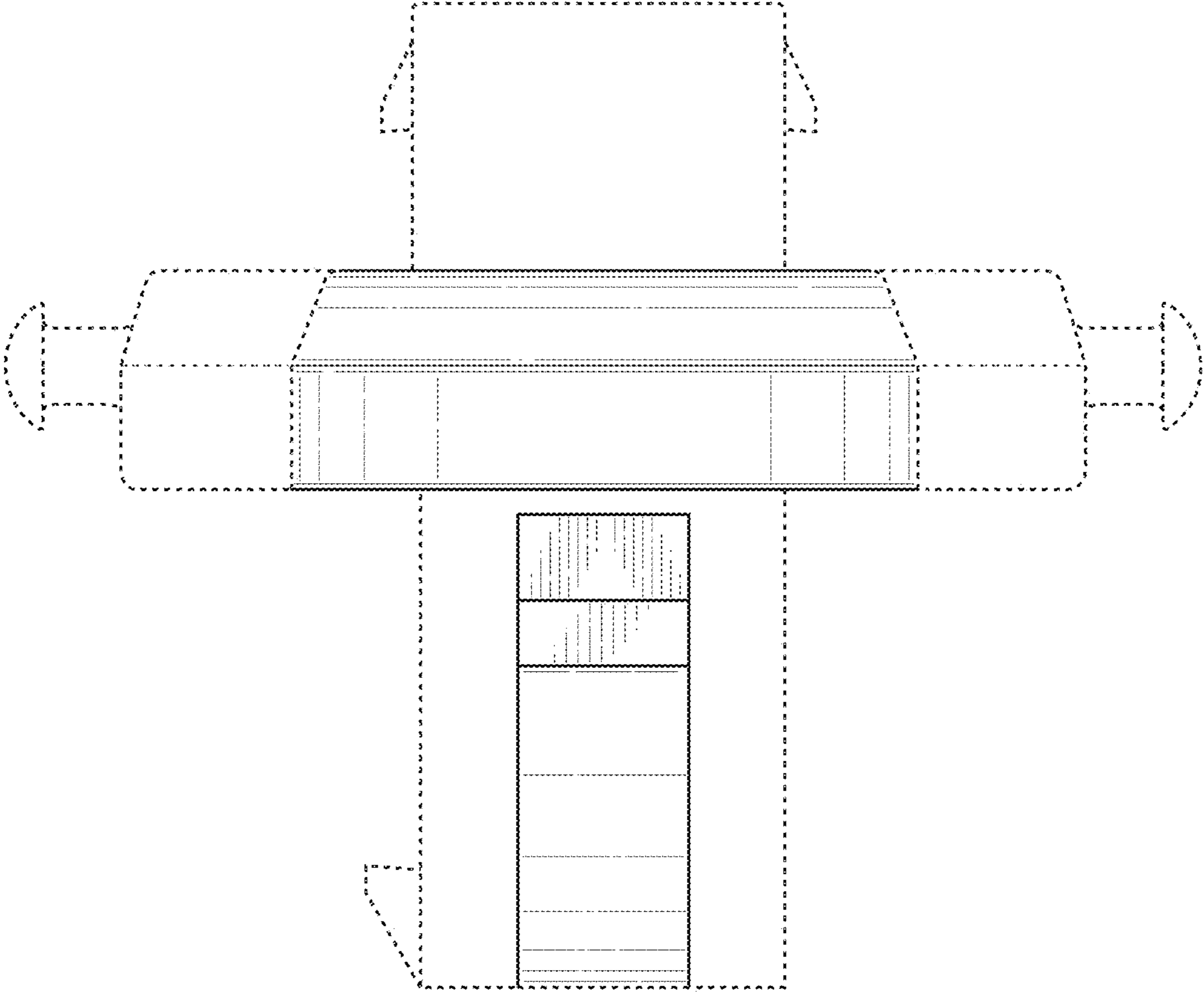


FIG. 8

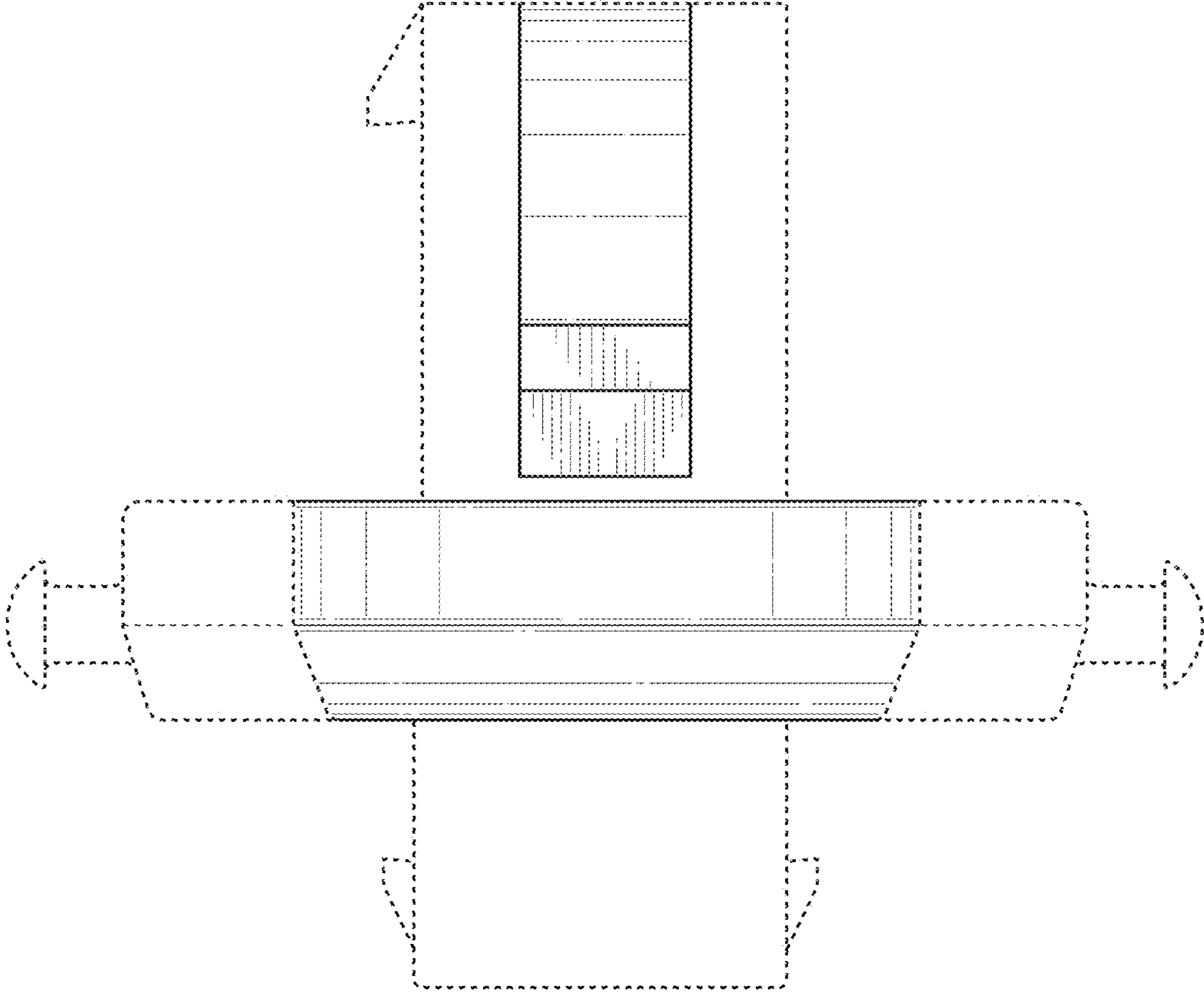


FIG. 9