



US00D937210S

(12) **United States Design Patent** (10) **Patent No.:** **US D937,210 S**  
**Azuma** (45) **Date of Patent:** **\*\* Nov. 30, 2021**

(54) **ELECTRIC POWER UNIT**

FOREIGN PATENT DOCUMENTS

(71) Applicant: **HONDA MOTOR CO., LTD.**, Tokyo (JP)

JP 1637079 S 7/2019

(72) Inventor: **Koichi Azuma**, Wako (JP)

OTHER PUBLICATIONS

(73) Assignee: **HONDA MOTOR CO., LTD.**, Tokyo (JP)

Office Action dated Oct. 7, 2020, issued in counterpart JP Design Application No. 2020-003383, with English Translation. (4 pages). Notice of Reason for Refusal dated May 26, 2021, issued in counterpart KR Design Application No. 30-2020-0038004, with English translation. (11 pages).

(\*\*) Term: **15 Years**

\* cited by examiner

(21) Appl. No.: **29/746,860**

(22) Filed: **Aug. 18, 2020**

*Primary Examiner* — Derrick E Holland

(30) **Foreign Application Priority Data**

(74) *Attorney, Agent, or Firm* — Westerman, Hattori, Daniels & Adrian, LLP

Feb. 21, 2020 (JP) ..... 2020-003383

(51) **LOC (13) Cl.** ..... **13-01**

(57) **CLAIM**

(52) **U.S. Cl.**  
USPC ..... **D13/116**

The ornamental design for an electric power unit, as shown and described.

(58) **Field of Classification Search**  
USPC ..... D13/103, 108, 109, 110, 112, 114, 116,  
D13/118, 119, 122, 123, 184, 199;  
D15/5, 199

**DESCRIPTION**

CPC .. H02J 7/00; H02J 7/027; H02J 7/0042; H02J 7/0045; H02J 7/0047; H02J 7/0063; H02M 7/00; H02M 7/003; H01M 2/202; H01M 2/204; H01M 2/1022; H01M 2/342; H01M 10/48; H01M 10/0436; H01M 10/4257; H05K 5/023  
See application file for complete search history.

FIG. 1 is a front and right perspective view of an electric power unit, showing my new design;  
FIG. 2 is a front and left perspective view thereof;  
FIG. 3 is a rear and right perspective view thereof;  
FIG. 4 is a rear and left perspective view thereof;  
FIG. 5 is a front elevational view thereof;  
FIG. 6 is a rear elevational view thereof;  
FIG. 7 is a right side elevational view thereof;  
FIG. 8 is a left side elevational view thereof;  
FIG. 9 is a top plan view thereof; and,  
FIG. 10 is a bottom plan view thereof.

(56) **References Cited**

The broken lines shown in the drawings illustrate portions of the electric power unit that form no part of the claimed design.

U.S. PATENT DOCUMENTS

D504,110 S \* 4/2005 Berentzen ..... D13/103  
D523,807 S \* 6/2006 Murayama ..... D13/103  
D712,834 S \* 9/2014 Munro ..... D13/116  
D826,149 S \* 8/2018 Cooper ..... D13/103  
2017/0104243 A1 \* 4/2017 Velderman ..... H02J 7/0045

**1 Claim, 10 Drawing Sheets**

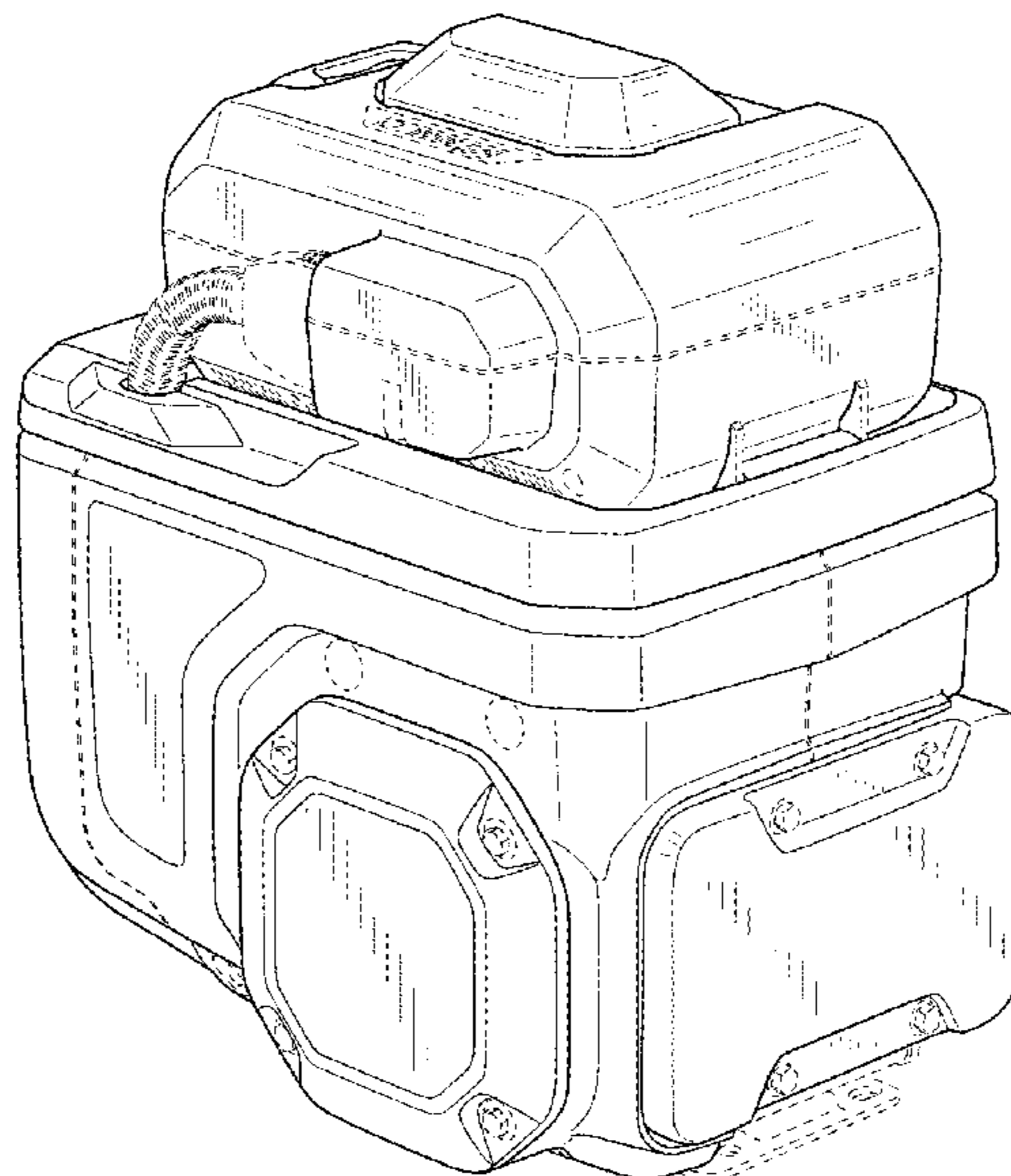


FIG. 1



FIG. 2

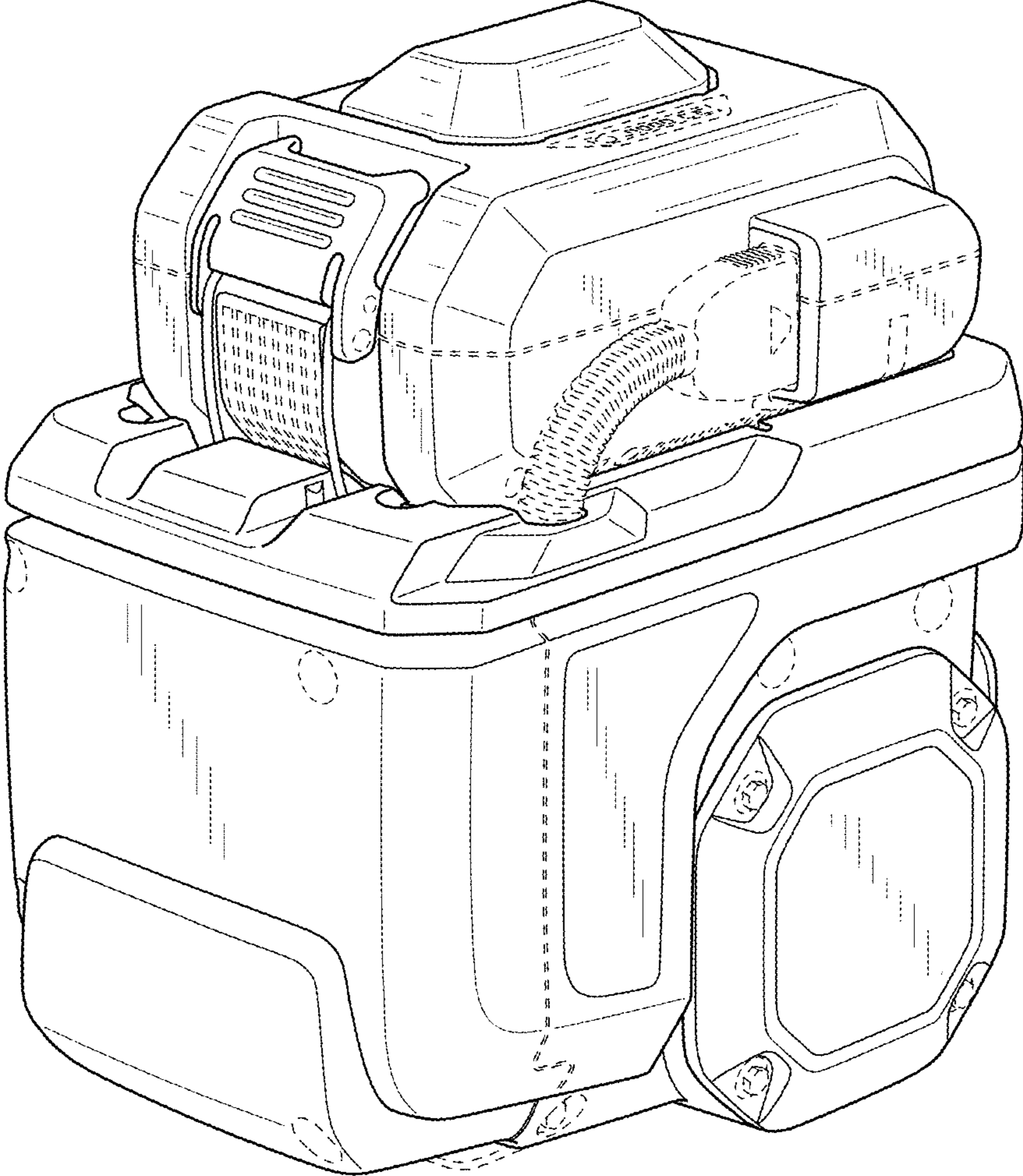


FIG. 3

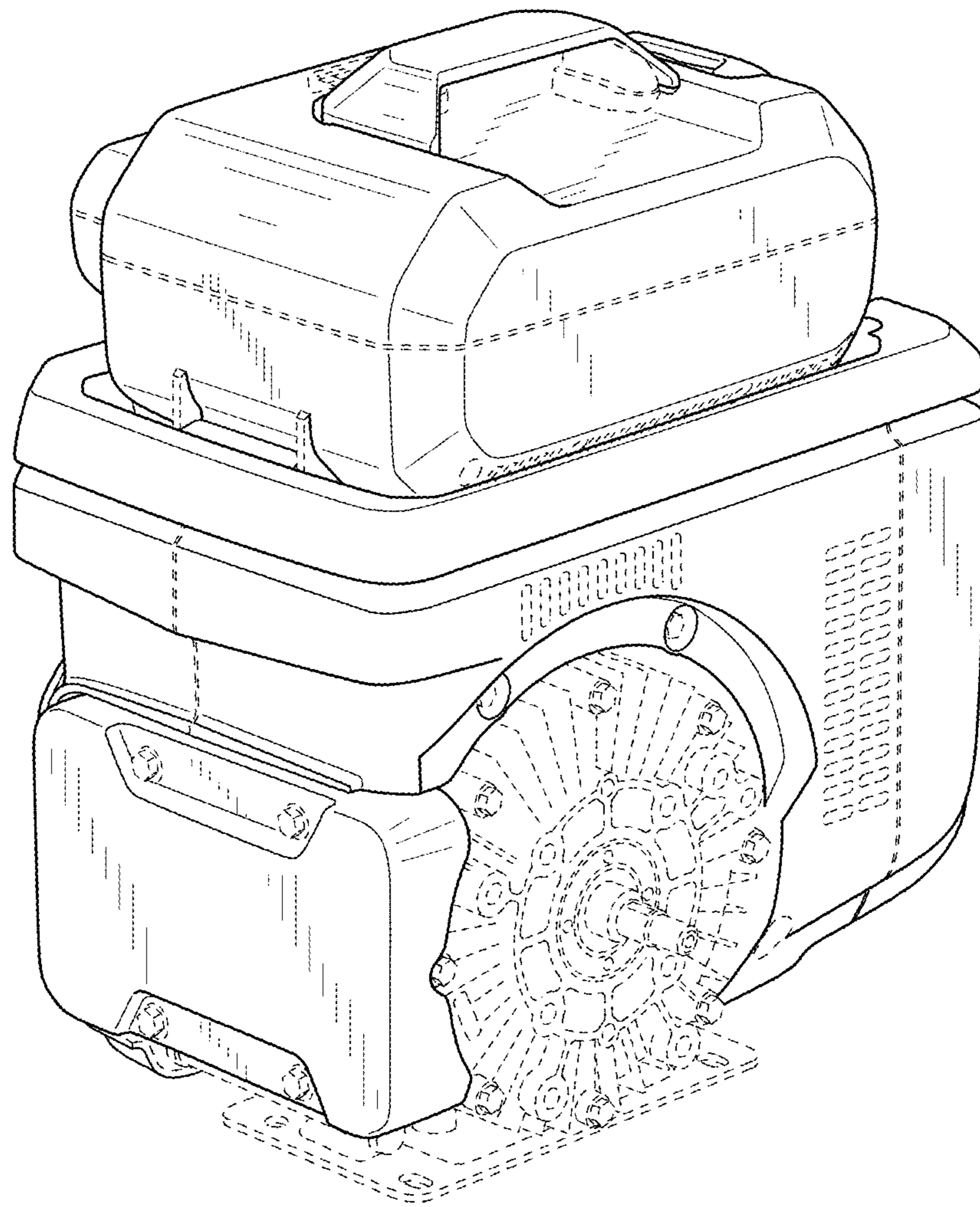


FIG. 4

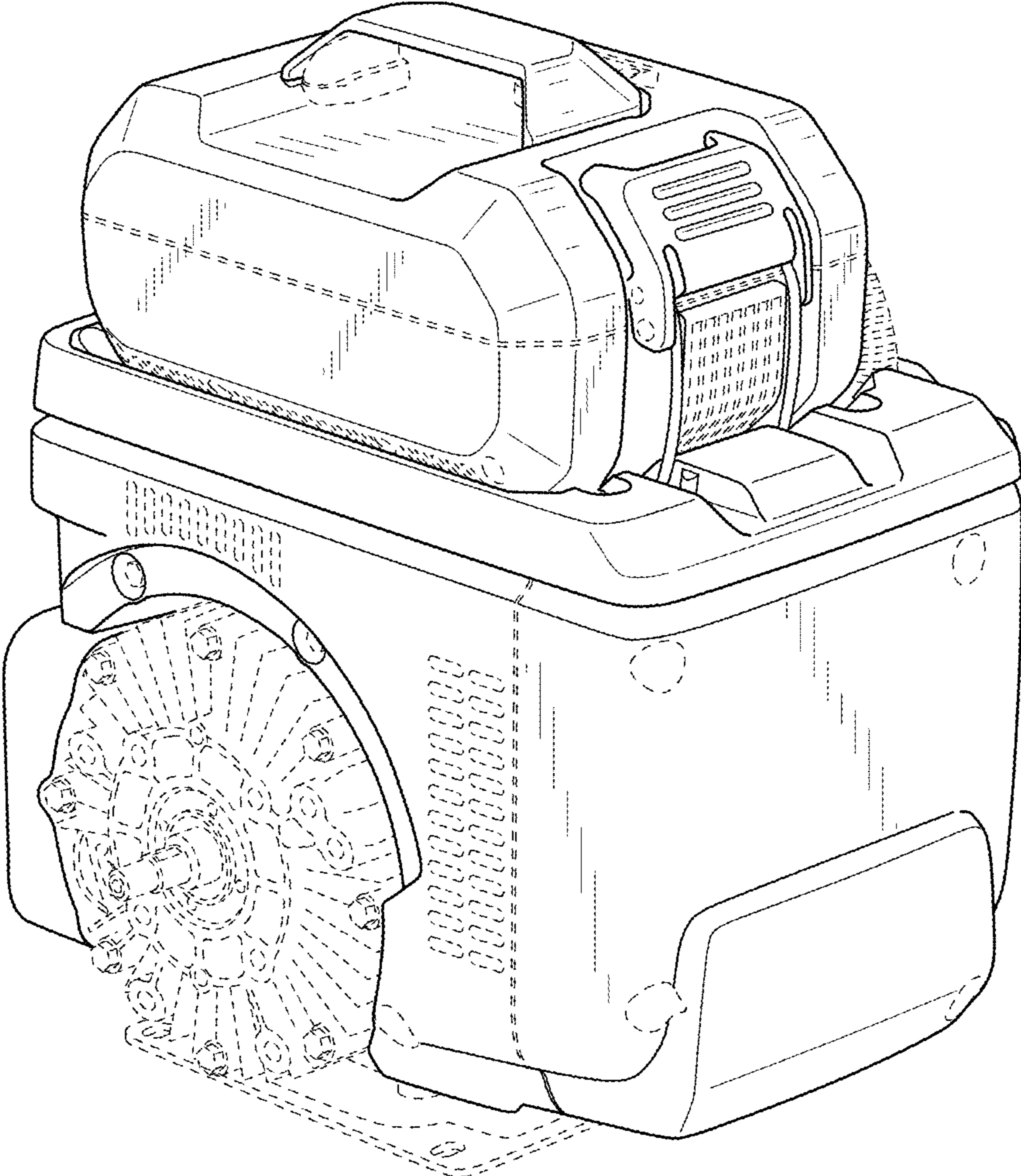


FIG. 5

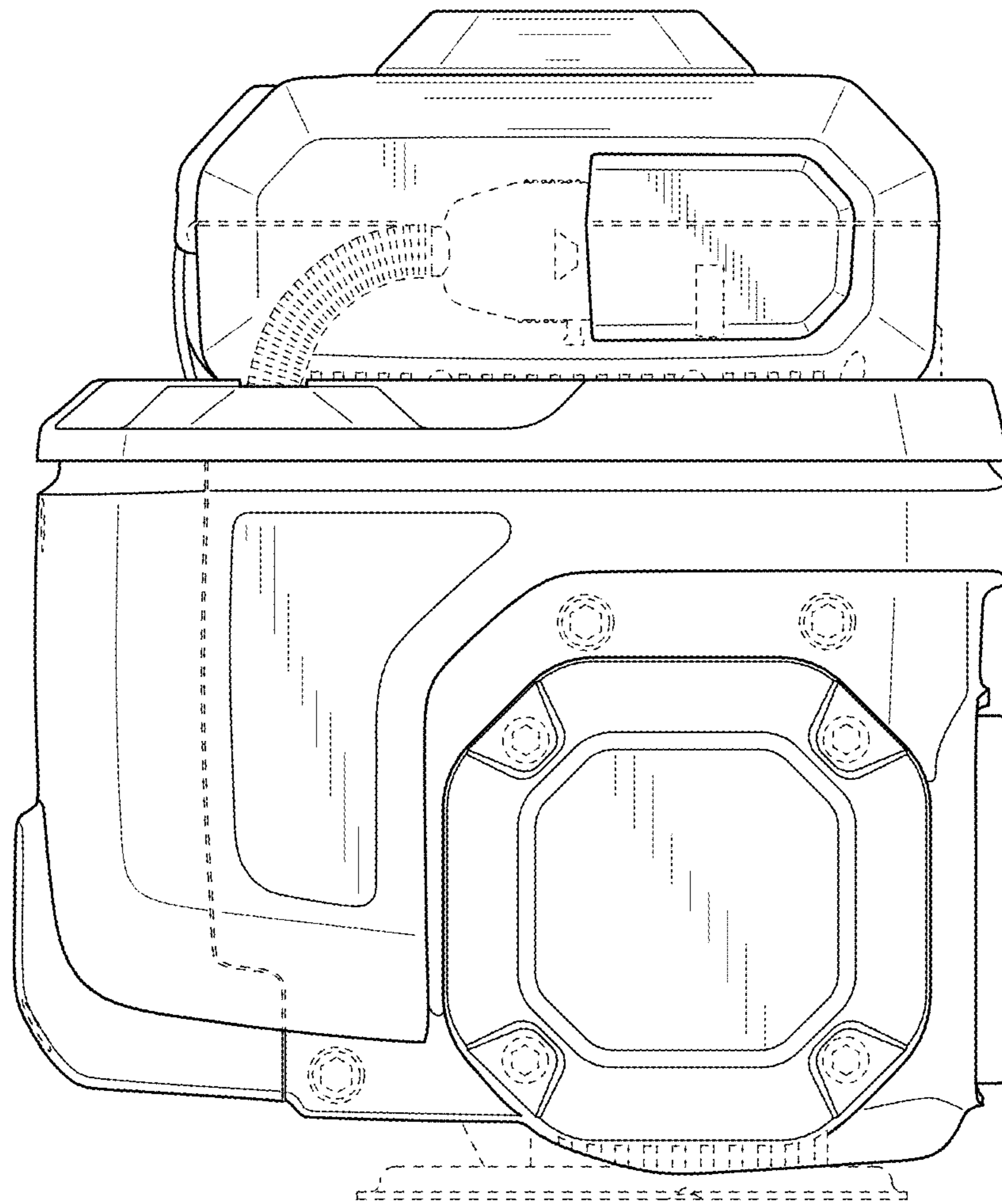


FIG. 6

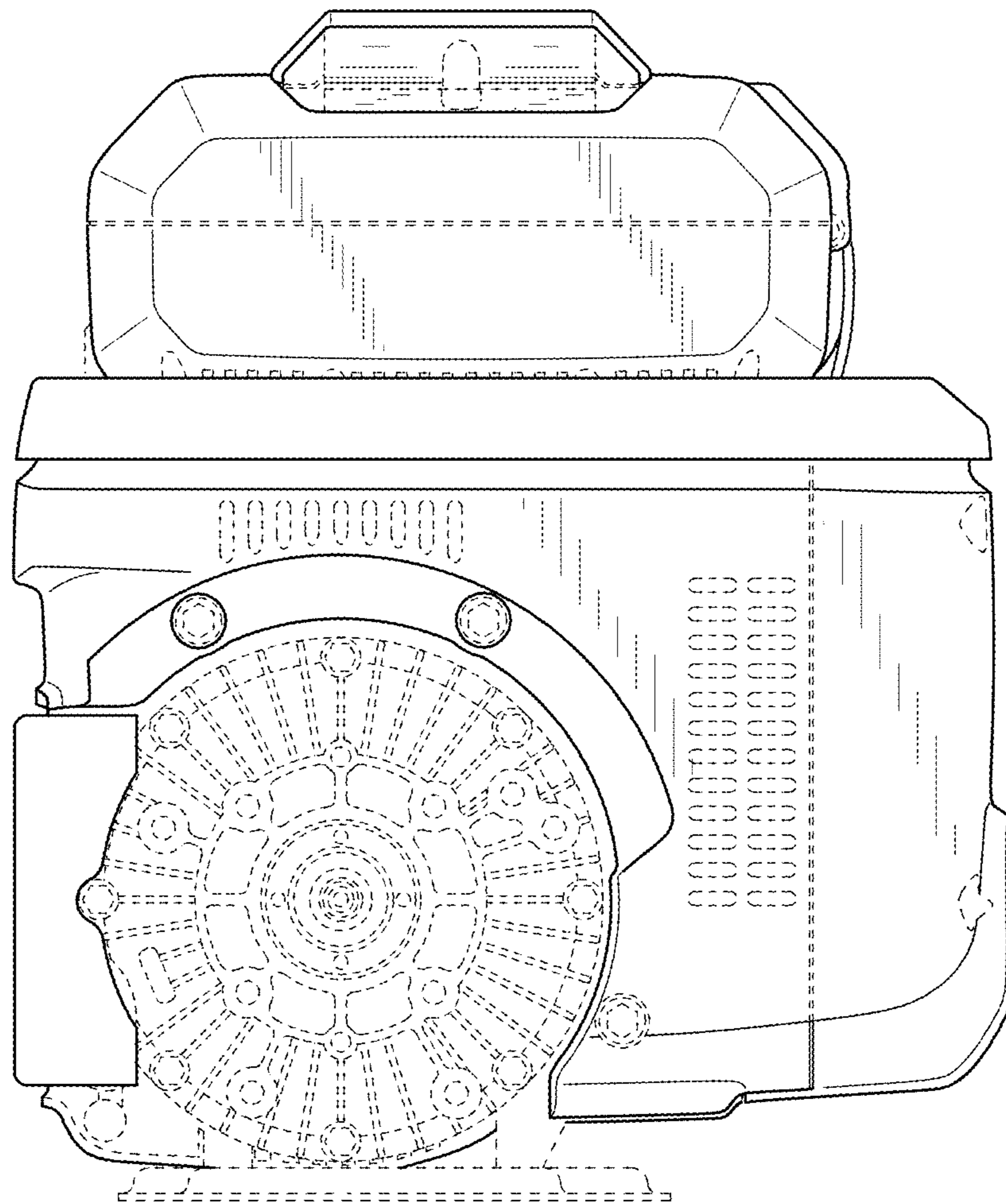


FIG. 7

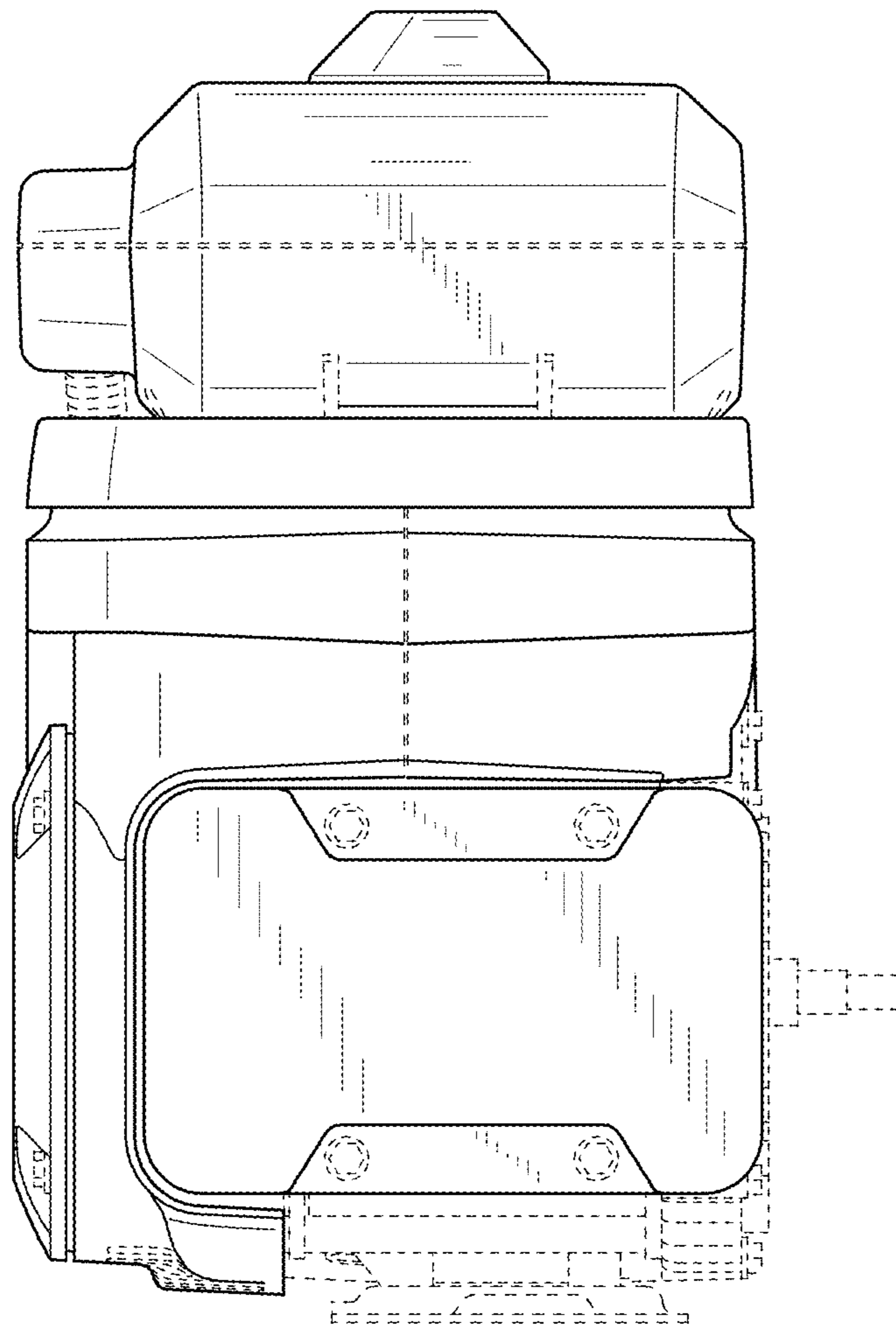




FIG. 8

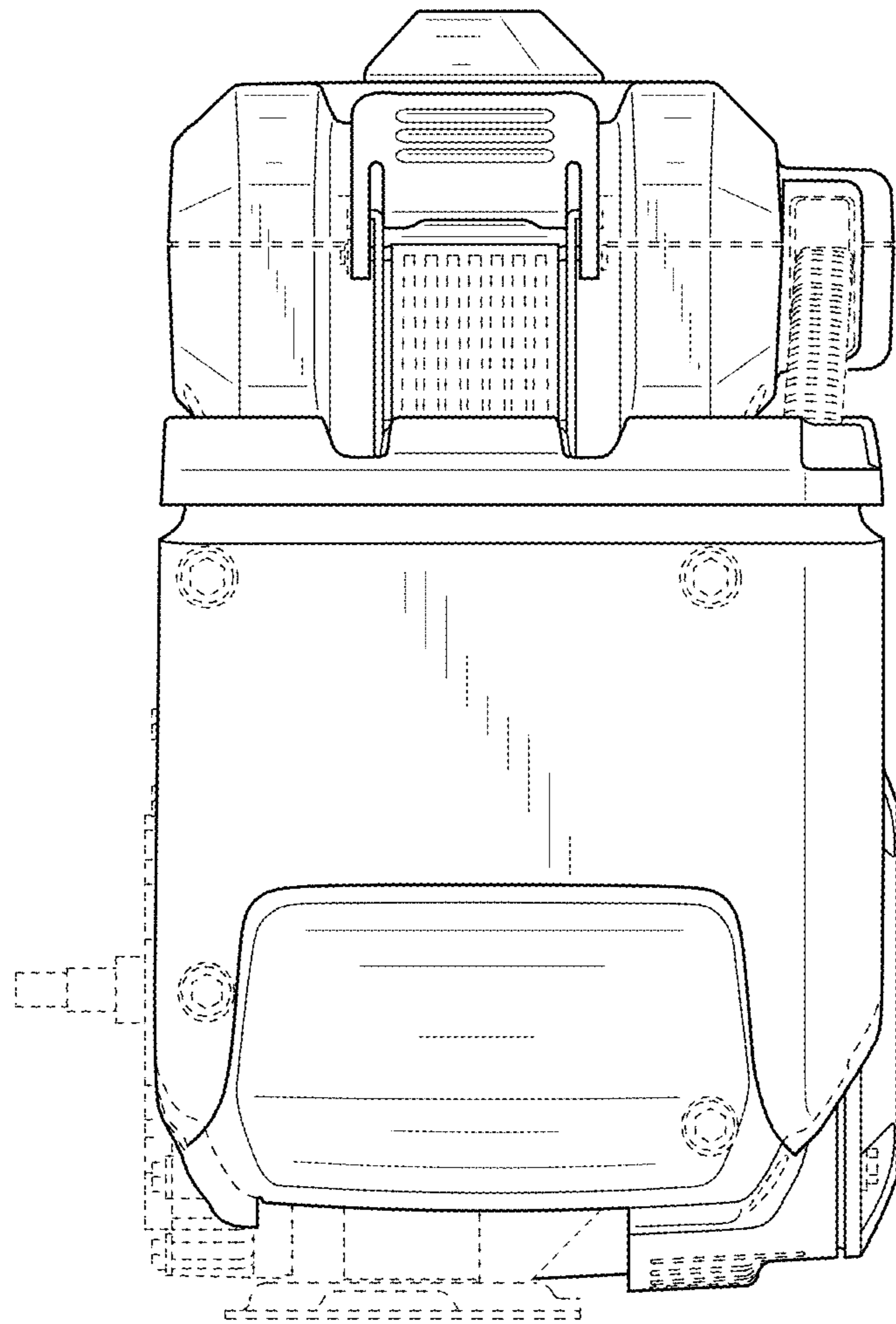


FIG. 9

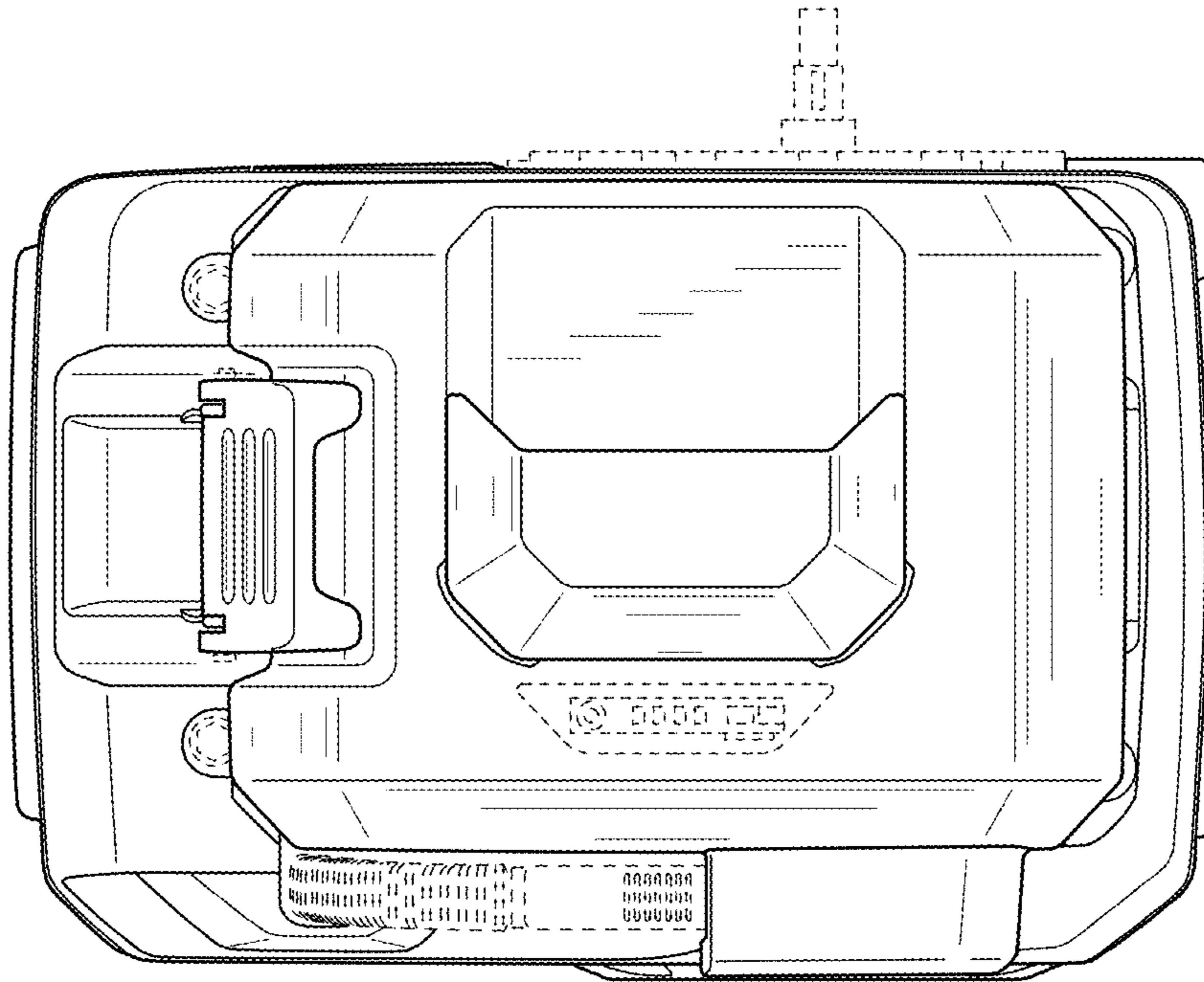


FIG. 10

