



US00D937209S

(12) **United States Design Patent** (10) **Patent No.:** **US D937,209 S**
Luo (45) **Date of Patent:** **** Nov. 30, 2021**

(54) **MULTI-PORT SMART CHARGER**
(71) Applicant: **SHENZHEN SENRUI TECHNOLOGY CO., LTD.**, Shenzhen (CN)
(72) Inventor: **Xiaoxia Luo**, Shenzhen (CN)
(73) Assignee: **SHENZHEN SENRUI TECHNOLOGY CO., LTD.**, Shenzhen (CN)
(**) Term: **15 Years**
(21) Appl. No.: **29/767,979**
(22) Filed: **Jan. 27, 2021**
(51) **LOC (13) Cl.** **13-02**
(52) **U.S. Cl.**
USPC **D13/108**
(58) **Field of Classification Search**
USPC D13/103, 107–110, 118–119, 184, 199;
D14/251, 253, 432, 434, 447; D6/682
CPC H02J 7/025; H02J 7/005; H02J 7/0026;
H02J 7/0042; H02J 7/0044; H02J 7/0045;
H02J 7/0013; H02J 7/0003; H02J 7/02;
H02J 50/10; H02J 50/12
See application file for complete search history.

D860,132 S * 9/2019 Fu D13/108
D870,657 S * 12/2019 Liang D13/108
D887,350 S * 6/2020 Yamamoto D13/108
D896,170 S * 9/2020 Xiao D13/108
D897,286 S * 9/2020 Zhu D13/108
(Continued)

OTHER PUBLICATIONS

“Nexgadget USB Charging Station Dock for Multiple Devices, 8-Port Desktop Charger, Charging Stand Organizer for Smart Phone, Tablet and Other USB Devices-8" Cables Included”, Amazon.com, first available Nov. 18, 2018. Retrieved from the internet: <https://www.amazon.com/dp/B07KP4W8LP/ref=sspa_dk_detail_0?psc=1&pd_rd_i=B07KP4W8LP&pd_rd_w=oc9eD&pf_rd_p=9fd3ea7c-b77c-42ac-b43b-c872d3f37c38&pd_rd_wg=zDKSj&pf_rd_r=GKD3CKC9SVQ29QTBG0PE&pd_rd_r=e32e2e24-d6eb-4d00-beb0-0410ed43f710&spLa=ZW5jcnlwdGVkUXVhbGlmaWVyPUFZSDhSWk00VEVRSTYmZW5jcnlwdGVkSWQ9QTA3NjQ> (Year: 2018).*

(Continued)

Primary Examiner — Rosemary K Tarcza

(57) **CLAIM**

The ornamental design for a multi-port smart charger, as shown and described.

DESCRIPTION

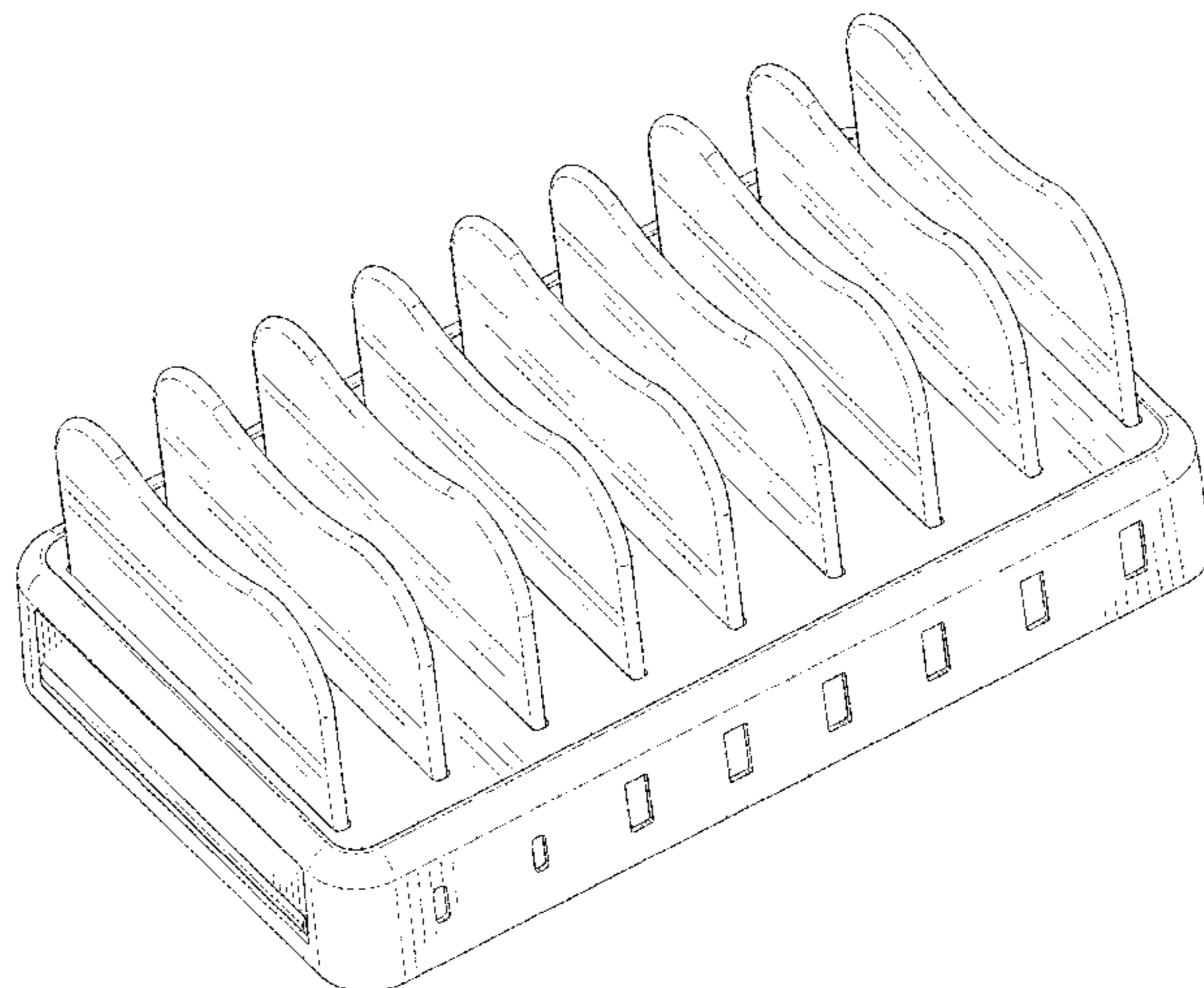
FIG. 1 is a perspective view of a multi-port smart charger showing my new design;
FIG. 2 is another perspective view thereof;
FIG. 3 is a front elevational view thereof;
FIG. 4 is a rear elevational view thereof;
FIG. 5 is a left side elevational view thereof;
FIG. 6 is a right side elevational view thereof;
FIG. 7 is a top plan view thereof; and,
FIG. 8 is a bottom plan view thereof.
The broken lines in the drawings depict portions of the multi-port smart charger that form no part of the claimed design.

1 Claim, 8 Drawing Sheets

(56) **References Cited**

U.S. PATENT DOCUMENTS

D669,430 S * 10/2012 Budike D13/108
D675,622 S * 2/2013 Petrick D14/434
D705,722 S * 5/2014 Gengler D13/107
D709,445 S * 7/2014 Yeh D13/107
D743,966 S * 11/2015 Izen D14/434
D761,729 S * 7/2016 Leong D13/108
D778,829 S * 2/2017 Marmus D13/108
D806,023 S 12/2017 Xu
D816,023 S 4/2018 Price
D818,432 S * 5/2018 Zhu D13/108
D823,796 S * 7/2018 Zhang D13/108
10,122,189 B1 * 11/2018 Walker H02J 7/0044
D845,234 S * 4/2019 Gao D13/108
D850,369 S * 6/2019 Wang D13/108



(56)

References Cited

U.S. PATENT DOCUMENTS

D911,279 S * 2/2021 Hu D13/108
D911,947 S * 3/2021 Qiu D13/108
D914,595 S * 3/2021 Rooyakkers D13/110
D927,692 S * 8/2021 Chang D24/167

OTHER PUBLICATIONS

“Hercules Tuff 6 USB Fast Ports Charging Station Compatible with Cell Phones Smart Phones Tablets and Other Blue”, Amazon.com, first available Sep. 27, 2019. Retrieved from the internet: <[“Poweroni USB Charging Station Dock—Fast Charge Docking Station for Multiple Devices—Multi Device Charger Organizer—Compatible with Apple and Android \(Silver 6-Port\)”, Amazon.com, first available Jun. 9, 2018. Retrieved from the internet: <\[* cited by examiner\]\(https://www.amazon.com/Poweroni-USB-Charging-Station-Dock/dp/B07DMNPNSH/ref=sr_1_5?dchild=1&keywords=multi+device+charging+station&qid=1632926353&sr=8-5> \(Year: 2018\).*</p></div><div data-bbox=\)](https://www.amazon.com/dp/B07YGYS1XS/ref=sspa_dk_detail_2?psc=1&pd_rd_i=B07YGYS1XS&pd_rd_w=uYCv9&pf_rd_p=54ed5474-54a8-4c7f-a88a-45f748d18166&pd_rd_wg=HiEhl&pf_rd_r=0A1N4SCAKKFSSQFGW91F&pd_rd_r=7d828830-5faa-4c51-ba4a-983fd5e96033&spLa=ZW5jcnlwdGVkUXVhbGlmaWVyPUEzQT MxRVFCMTZMOVM5JmVuY3J5cHRIZEIkPUEwMDI> (Year: 2019).*</p></div><div data-bbox=)

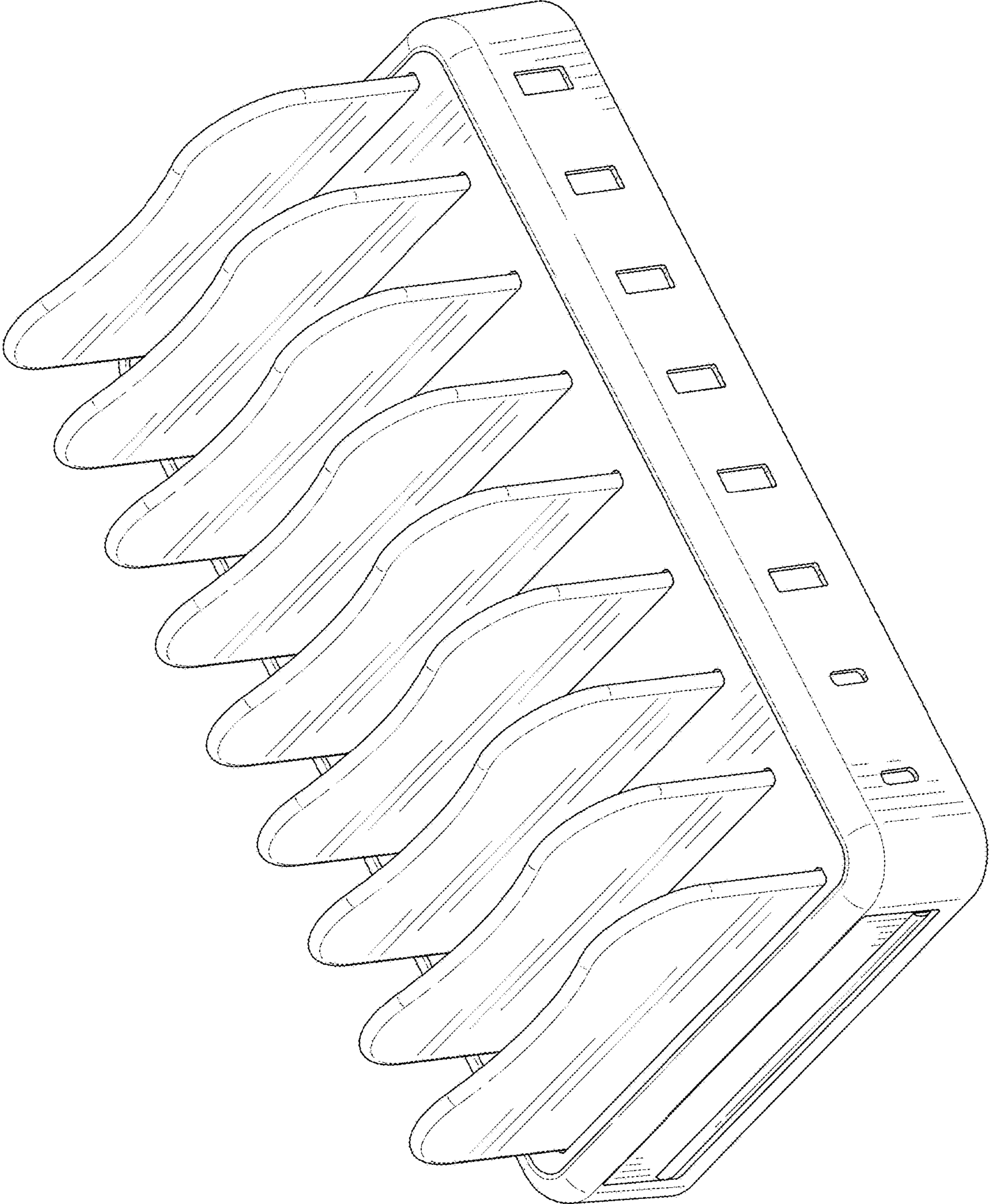


FIG. 1

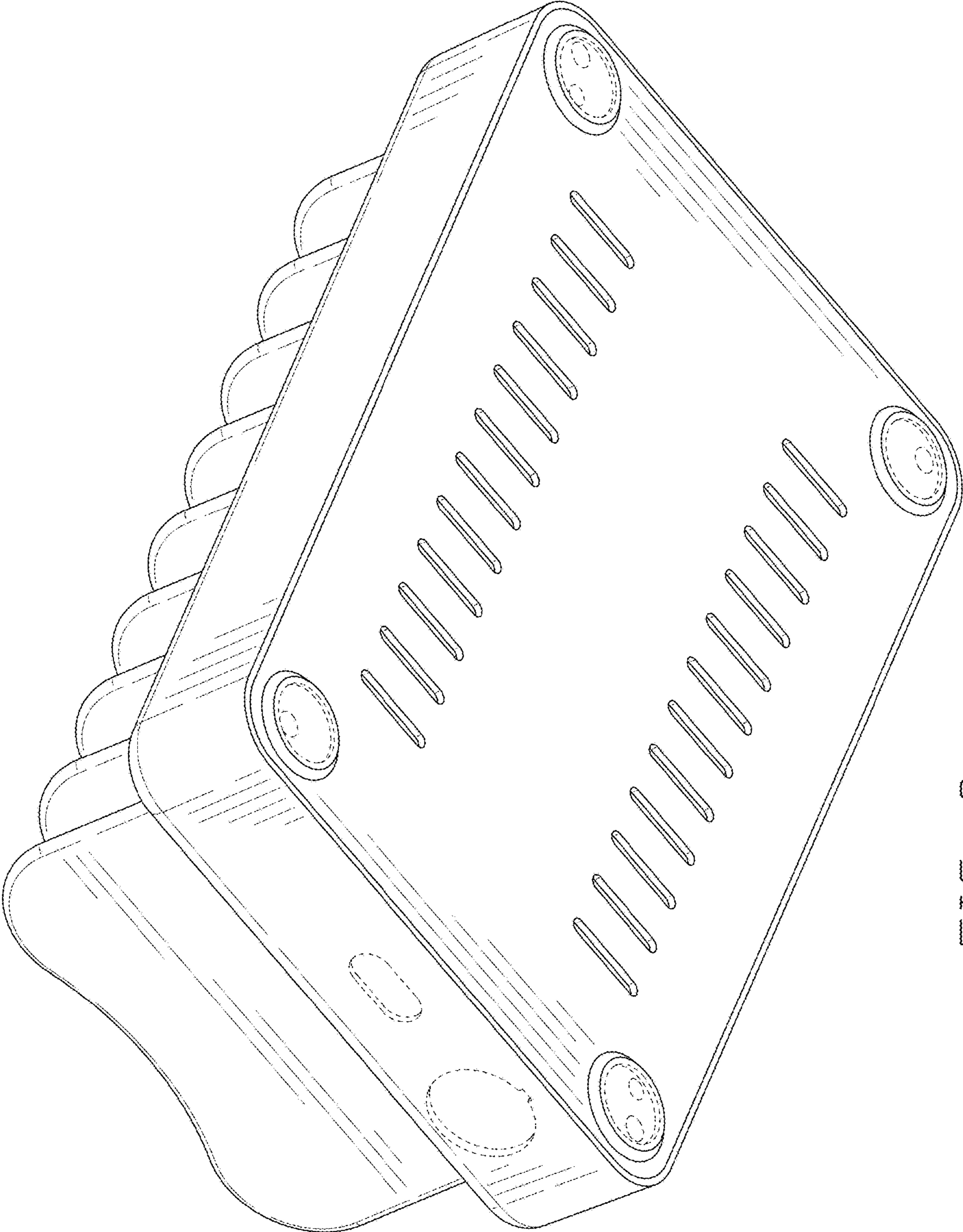


FIG. 2

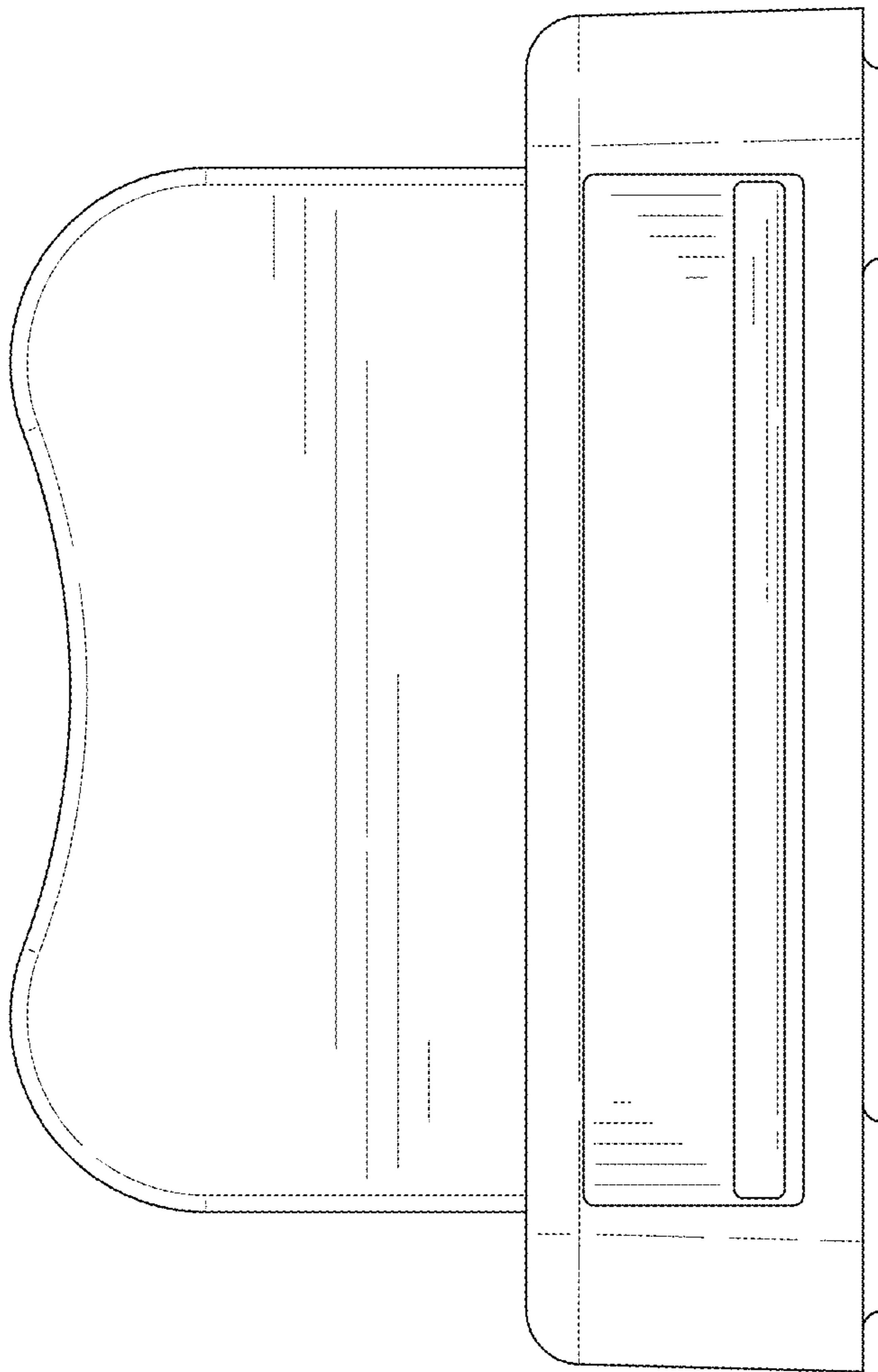


FIG. 3

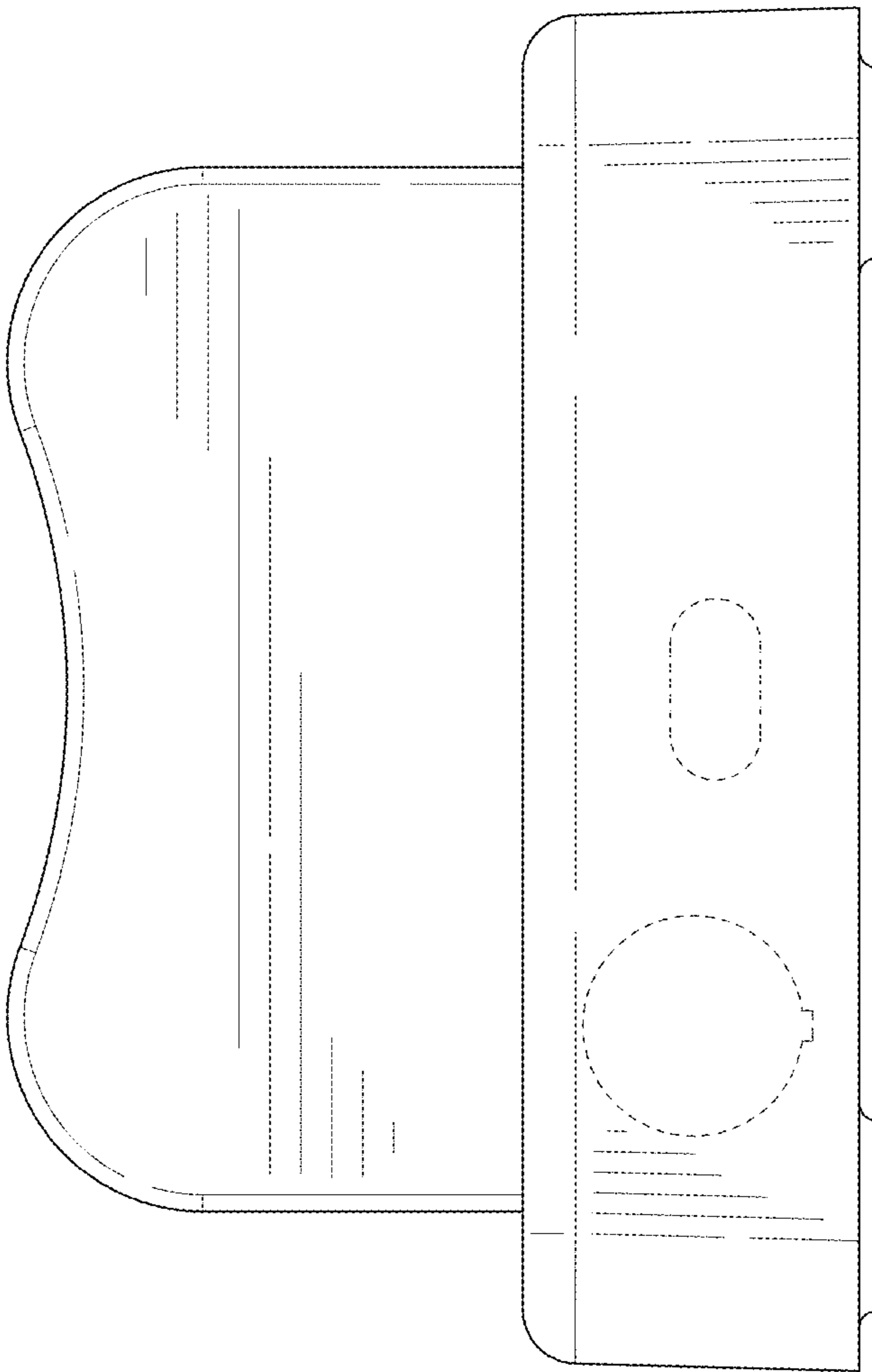


FIG. 4

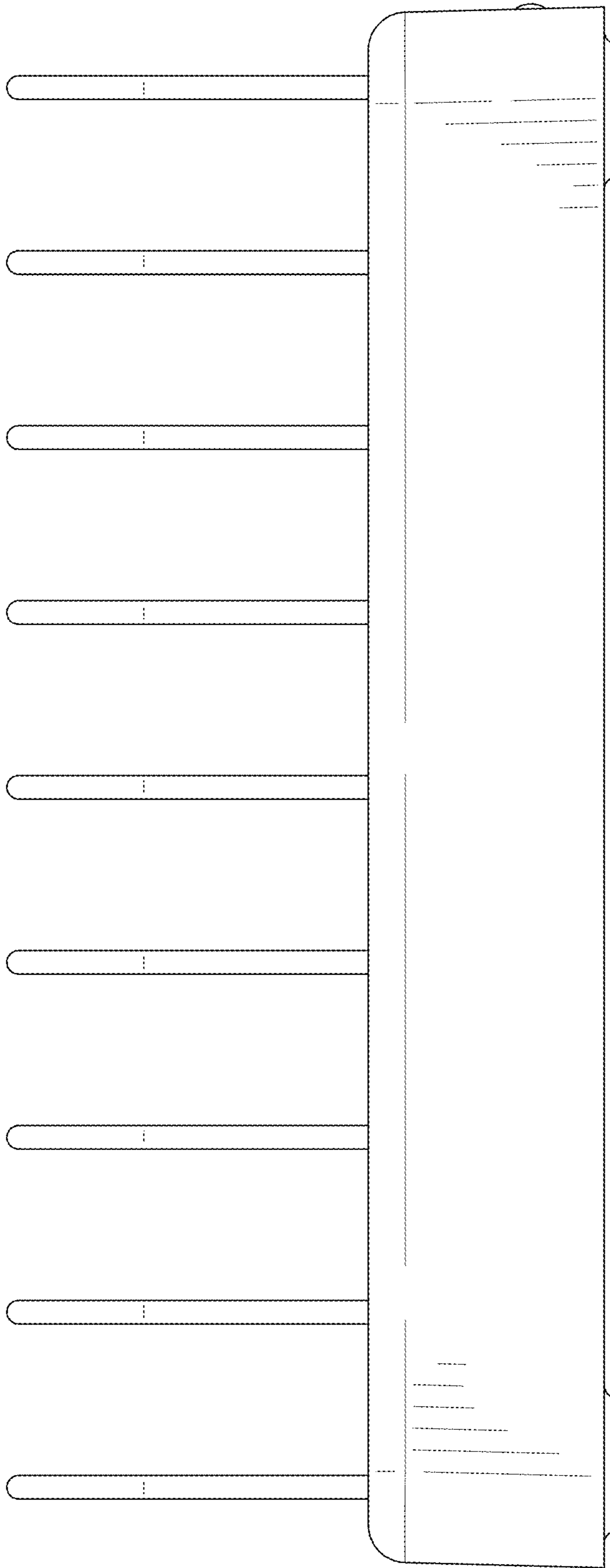


FIG. 5

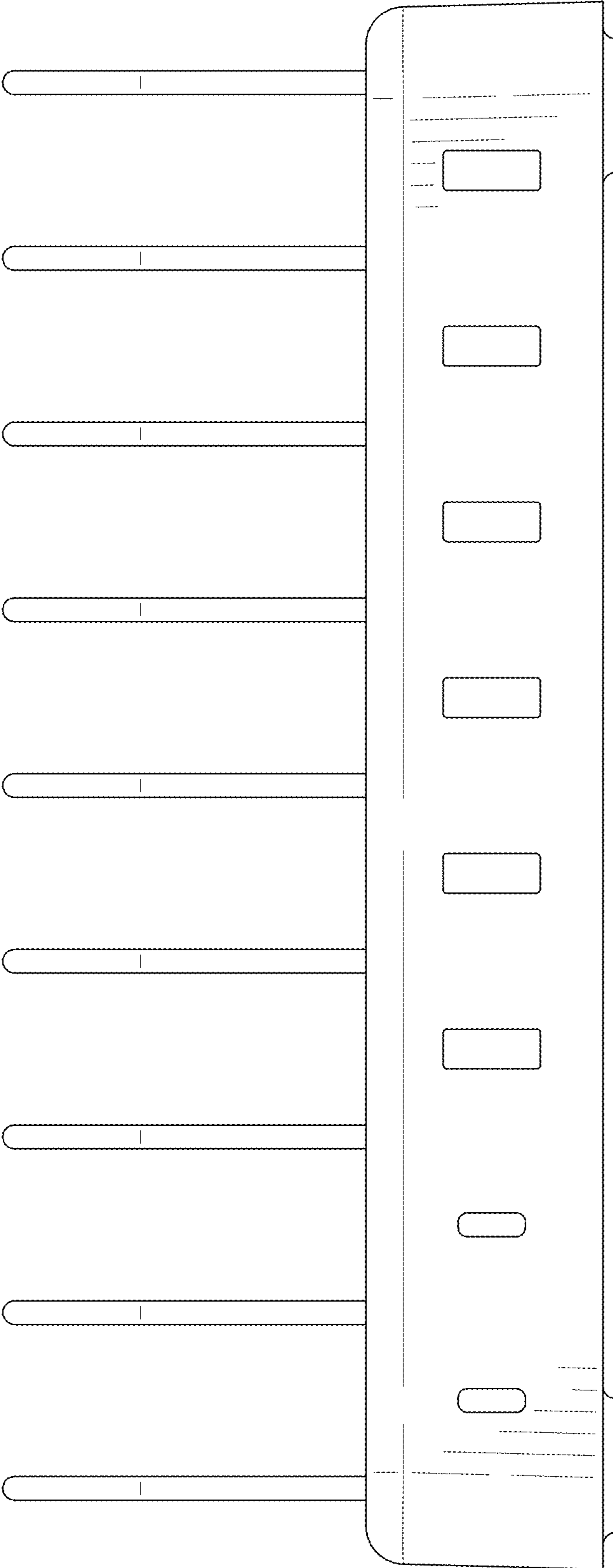


FIG. 6

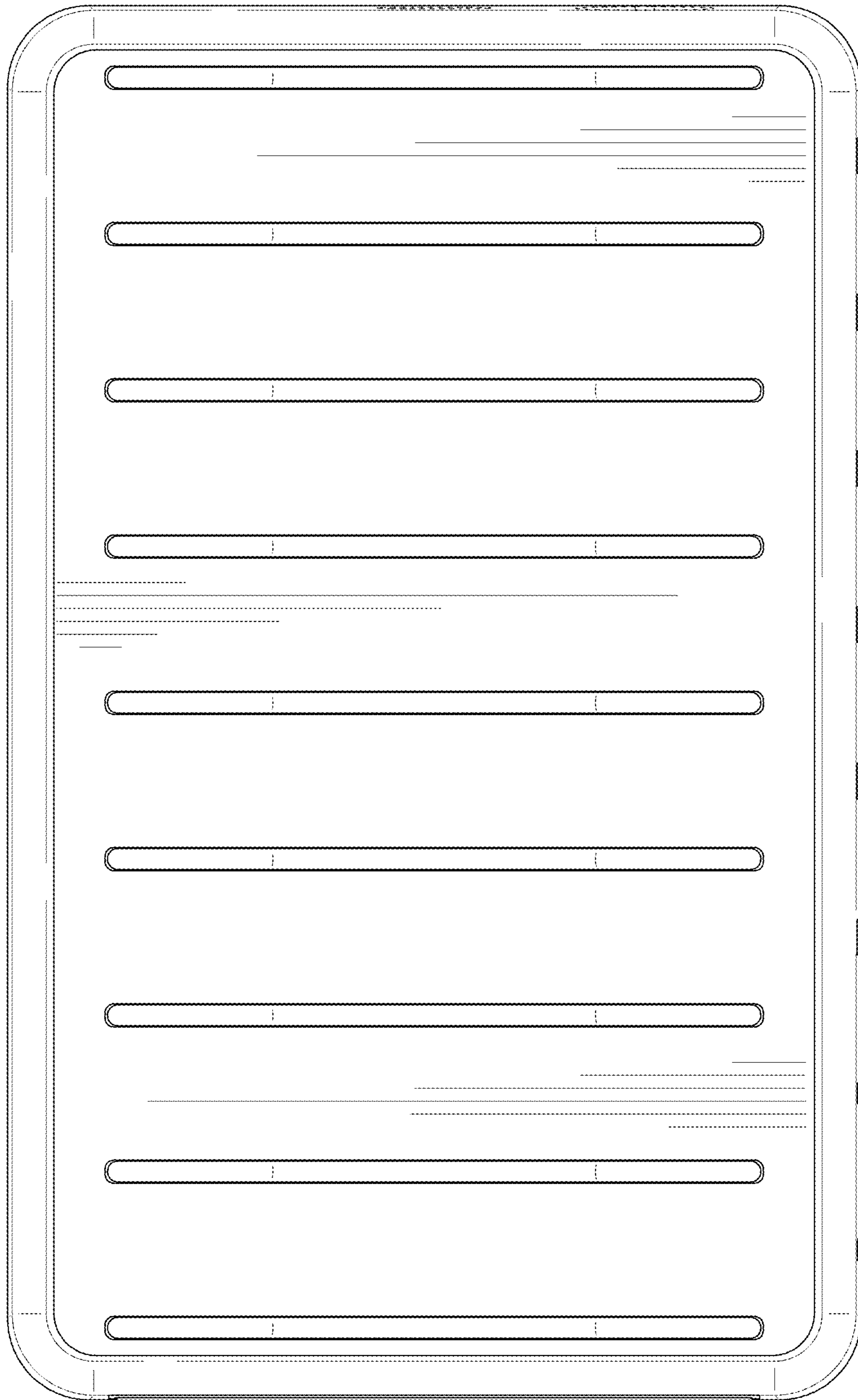


FIG. 7

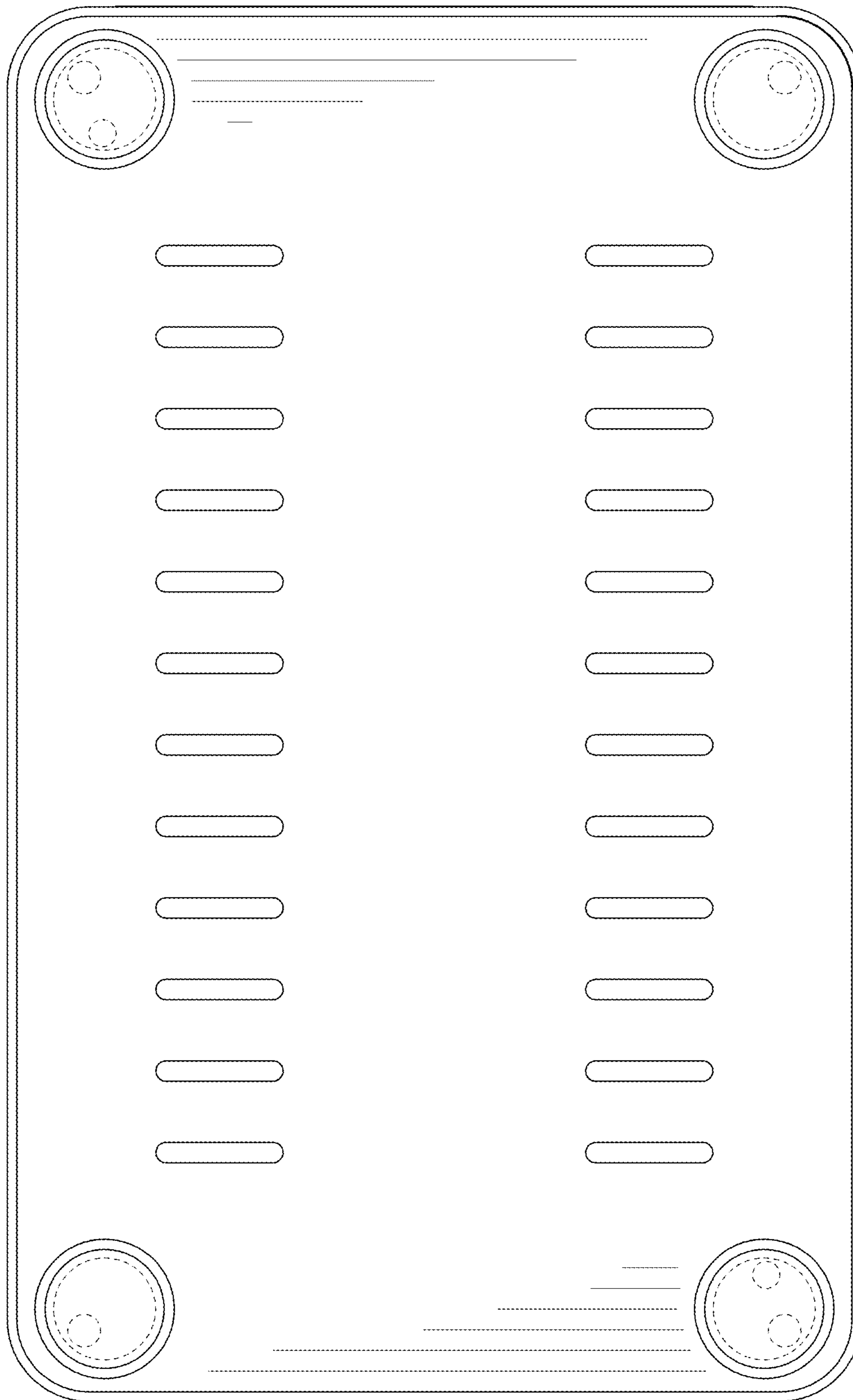


FIG. 8