



US00D937206S

(12) **United States Design Patent** (10) **Patent No.:** **US D937,206 S**
Romano et al. (45) **Date of Patent:** **** Nov. 30, 2021**

(54) **PORTABLE BATTERY CHARGER**
(71) Applicant: **Ontel Products Corporation**, Fairfield, NJ (US)
(72) Inventors: **Matthew Romano**, Maplewood, NJ (US); **Scott Barlettano**, Wayne, NJ (US)
(73) Assignee: **ONTEL PRODUCTS CORPORATION**, Fairfield, NJ (US)

(**) Term: **15 Years**

(21) Appl. No.: **29/712,479**

(22) Filed: **Nov. 8, 2019**

(51) **LOC (13) Cl.** **13-02**

(52) **U.S. Cl.**
USPC **D13/108**

(58) **Field of Classification Search**
USPC D13/103, 107, 108, 110, 118, 119, 133, D13/144, 146, 153, 154, 156; D14/432, D14/433, 434, 435.1, 439, 480.1, 408.5, D14/480.6, 480.7; D27/194
CPC H01R 12/592; H01R 13/62; H01R 13/46
See application file for complete search history.

(56) **References Cited**

U.S. PATENT DOCUMENTS

| | | | | | | |
|-----------|---|---|---------|-------------|-------|------------|
| 3,203,090 | A | * | 8/1965 | Jepson | | H01R 13/62 |
| | | | | | | 30/34.1 |
| D507,569 | S | * | 7/2005 | Tagliabue | | D14/356 |
| D659,093 | S | * | 5/2012 | Schmid | | D13/108 |
| D669,027 | S | * | 10/2012 | Kumpula | | D13/108 |
| D737,760 | S | * | 9/2015 | Kyriakoulis | | D13/108 |
| D741,865 | S | * | 10/2015 | Sundermeyer | | D14/433 |
| D810,680 | S | * | 2/2018 | Carreon | | D13/108 |
| D821,309 | S | * | 6/2018 | Barnard | | D13/108 |

| | | | | | | |
|--------------|----|---|---------|-------------|-------|-------------|
| D839,189 | S | * | 1/2019 | Miller | | D13/108 |
| D859,307 | S | * | 9/2019 | Campos | | D13/108 |
| D872,728 | S | * | 1/2020 | Matsumoto | | D14/480.5 |
| 2016/0054766 | A1 | * | 2/2016 | Huang | | G06F 1/187 |
| | | | | | | 361/679.32 |
| 2016/0365742 | A1 | | 12/2016 | Baum et al. | | |
| 2018/0337485 | A1 | * | 11/2018 | Knight | | H01R 13/516 |

OTHER PUBLICATIONS

“Power Pod External Phone Charger”. Found online Mar. 1, 2021 amazon.com. Reference dated Jan. 29, 2020. Retrieved from https://www.amazon.com/External-Charger-Portable-Battery-Chargers/dp/B08C43BR76/ref=sr_1_3 (Year: 2020).*
“iValex Watch Charger”. Found online Feb. 25, 2021 amazon.com. Reference dated Sep. 19, 2019. Retrieved from https://www.amazon.com/dp/B07Y35S9YW/ref=sspa_dk_detail_1. (Year: 2019).*

(Continued)

Primary Examiner — Kendra Leslie Hamilton
Assistant Examiner — Amaanda Christensen
(74) *Attorney, Agent, or Firm* — Dickinson Wright PLLC

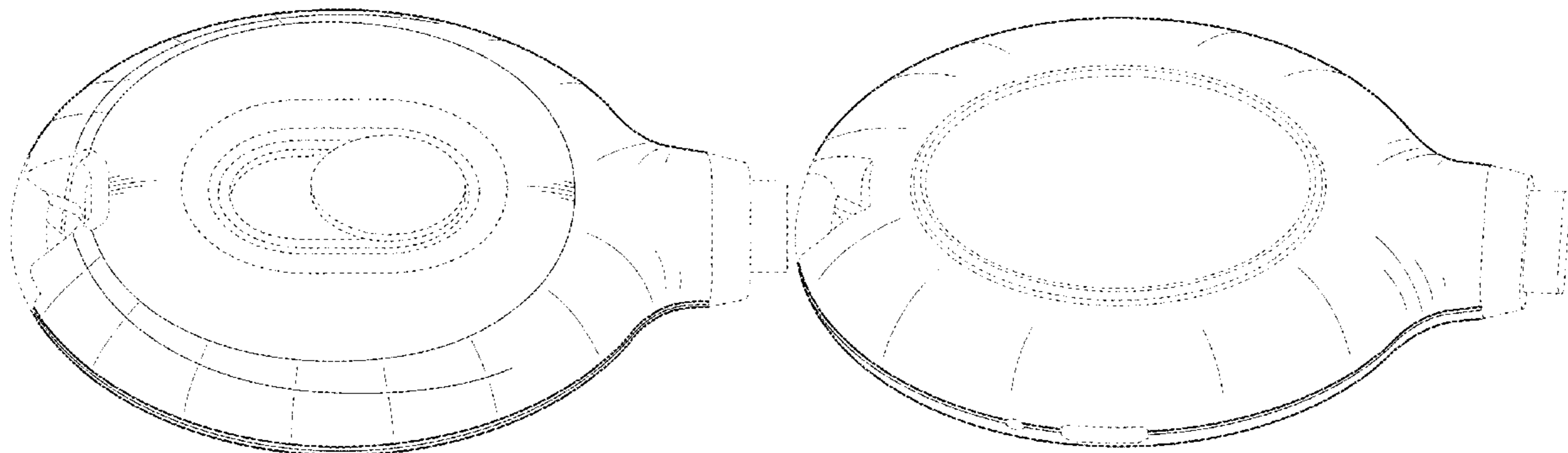
(57) **CLAIM**

The ornamental design for a portable battery charger, as shown and described.

DESCRIPTION

FIG. 1 is a bottom, right side perspective view of a portable battery charger, showing our new design; FIG. 2 is a top, left side perspective view thereof; FIG. 3 is a front elevation view thereof; FIG. 4 is a rear elevation view thereof; FIG. 5 is a bottom plan view thereof; FIG. 6 is a top plan view thereof; FIG. 7 is a left side elevation view thereof; and, FIG. 8 is a right side elevation view thereof. The broken lines depict portions of the portable battery charger that form no part of the claimed design.

1 Claim, 4 Drawing Sheets



(56)

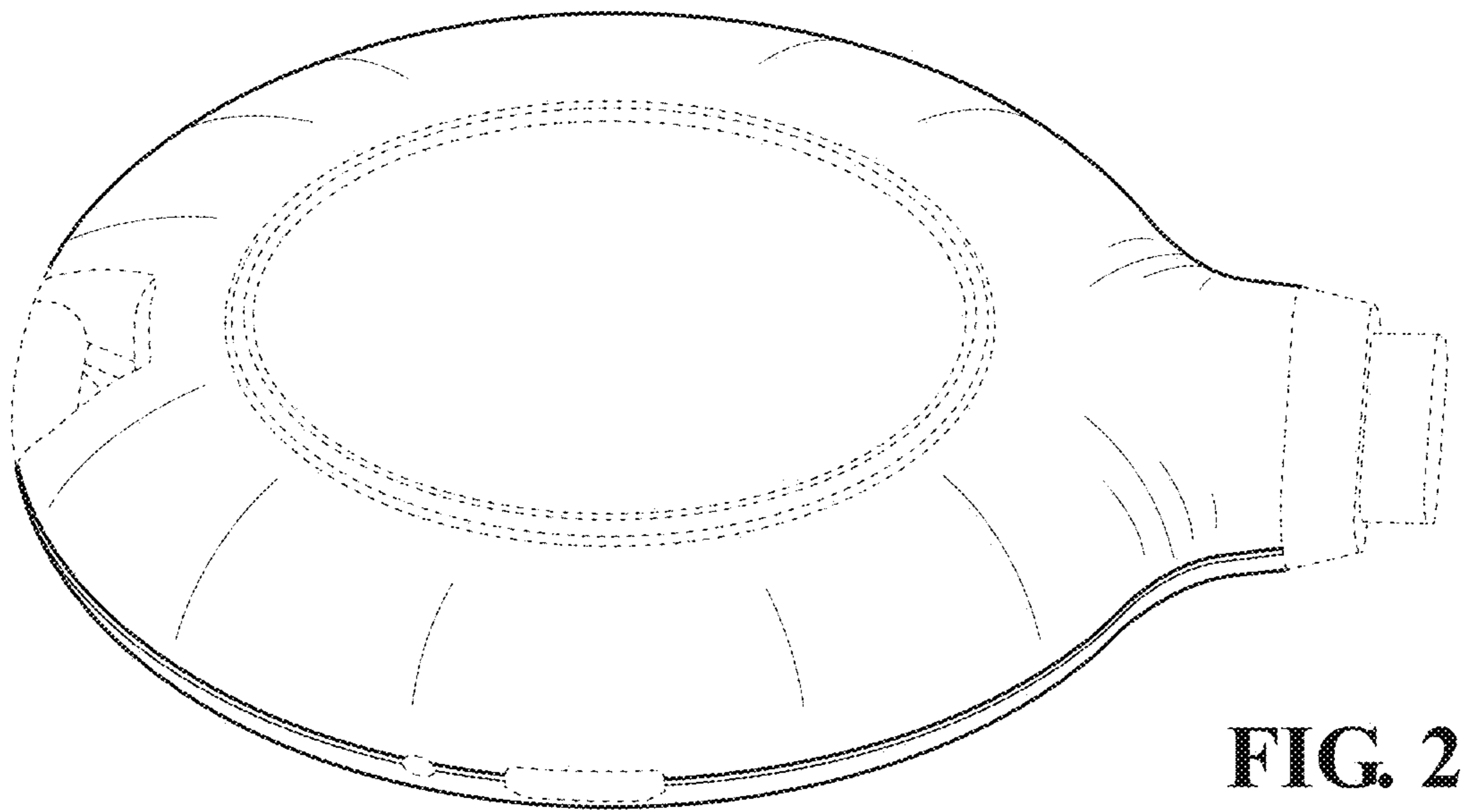
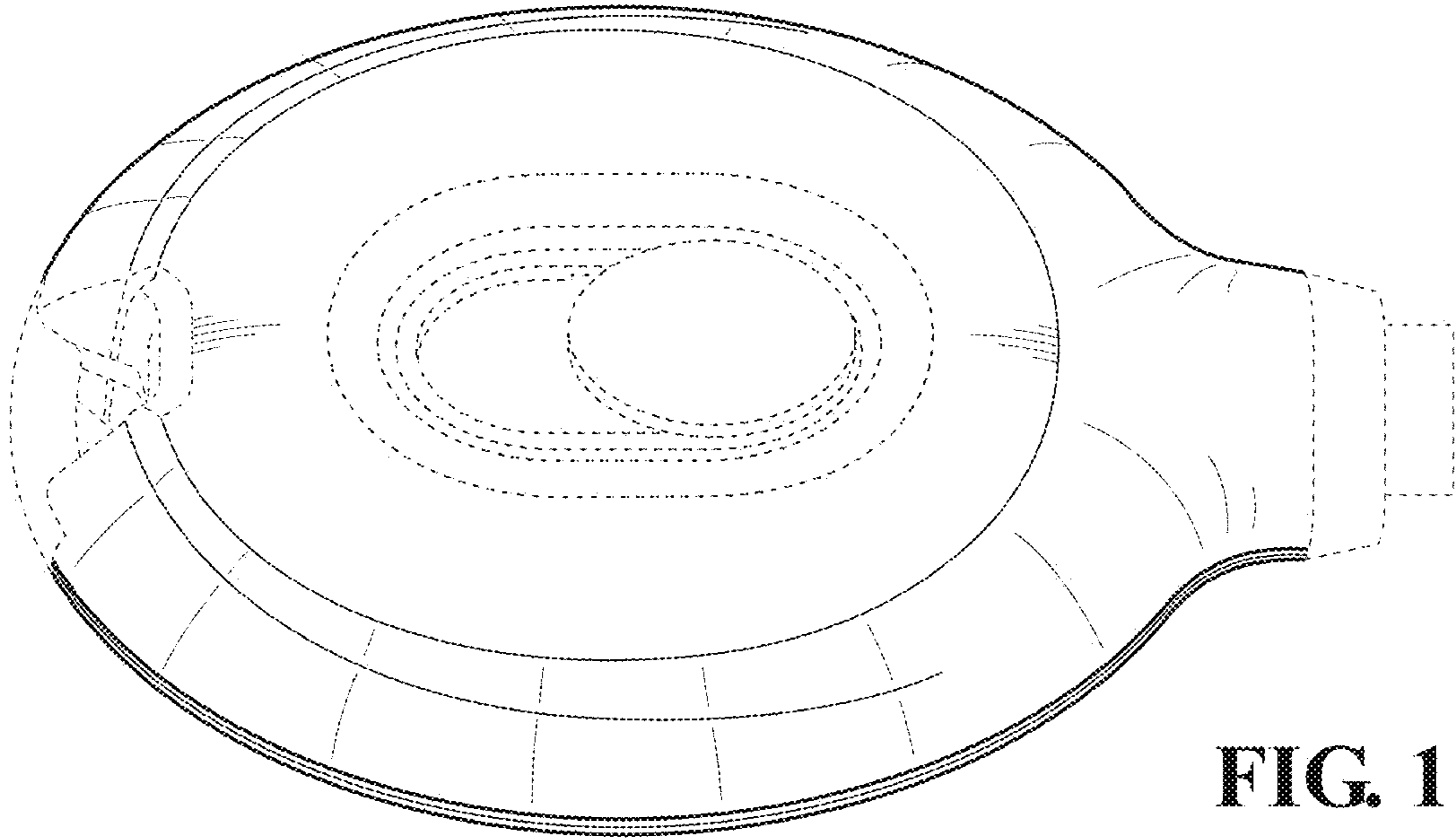
References Cited

OTHER PUBLICATIONS

“ChiHope Watch Charger”. Found online Feb. 25, 2021 amazon.com. Reference dated Jul. 24, 2019. Retrieved from https://www.amazon.com/ChiHope-Magnetic-Portable-Wireless-Compatible/dp/B07YXNPMM2/ref=psdc_11591898011_t4_B07W3KZP65 (Year: 2019).*

“AtomXS”, Atom XS Emergency Phone Charger, www.atomxsmall.com.

* cited by examiner



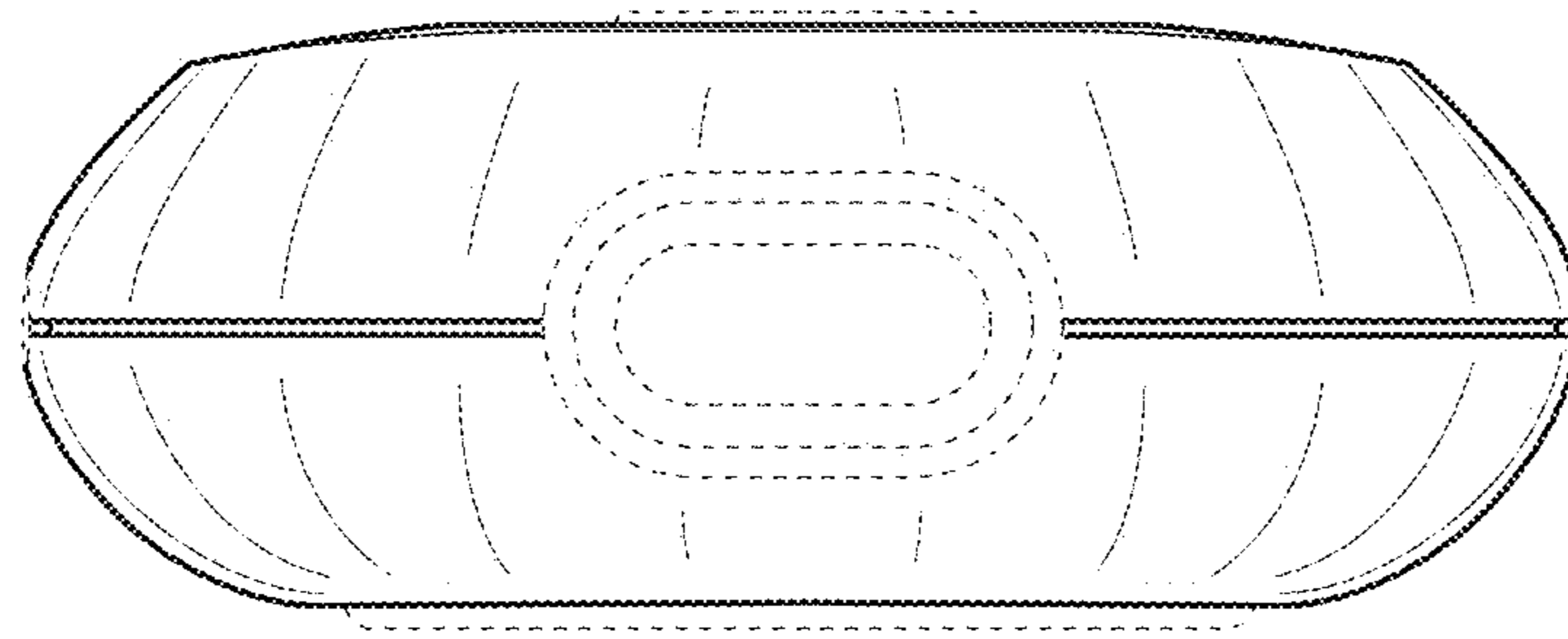


FIG. 3

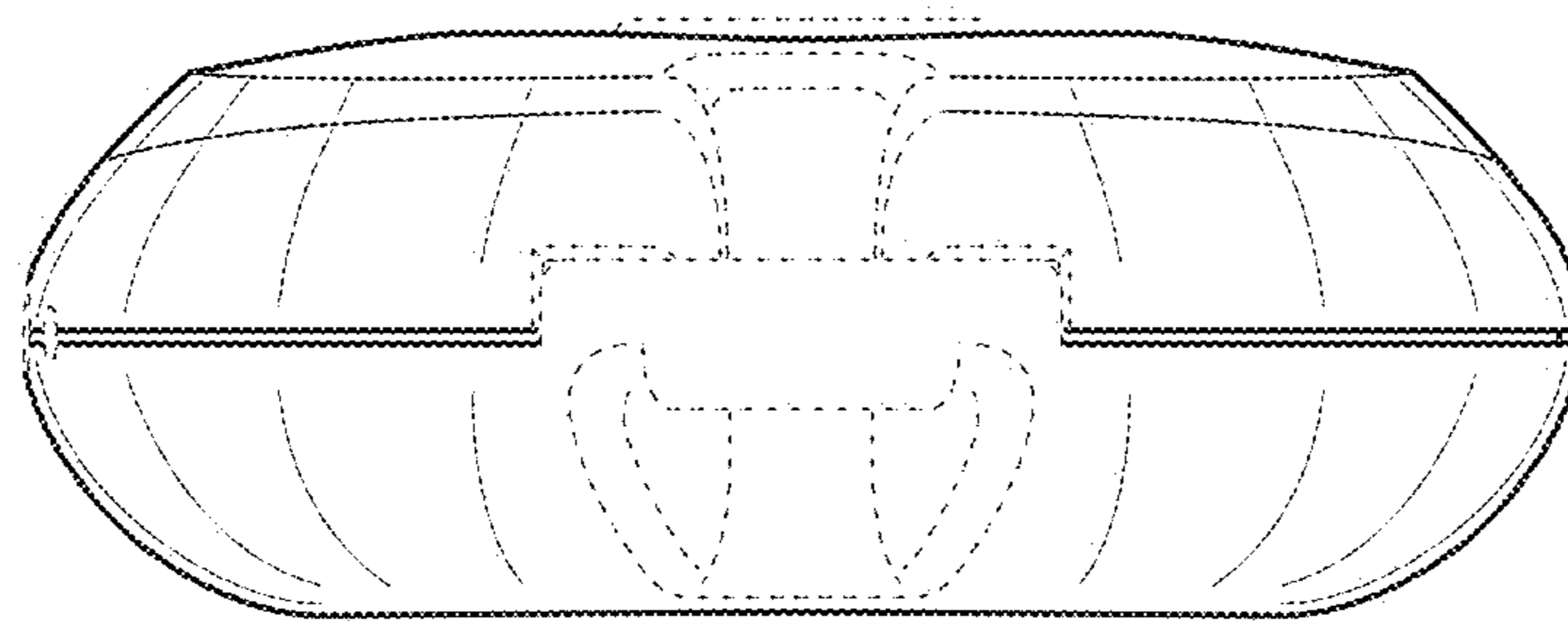


FIG. 4

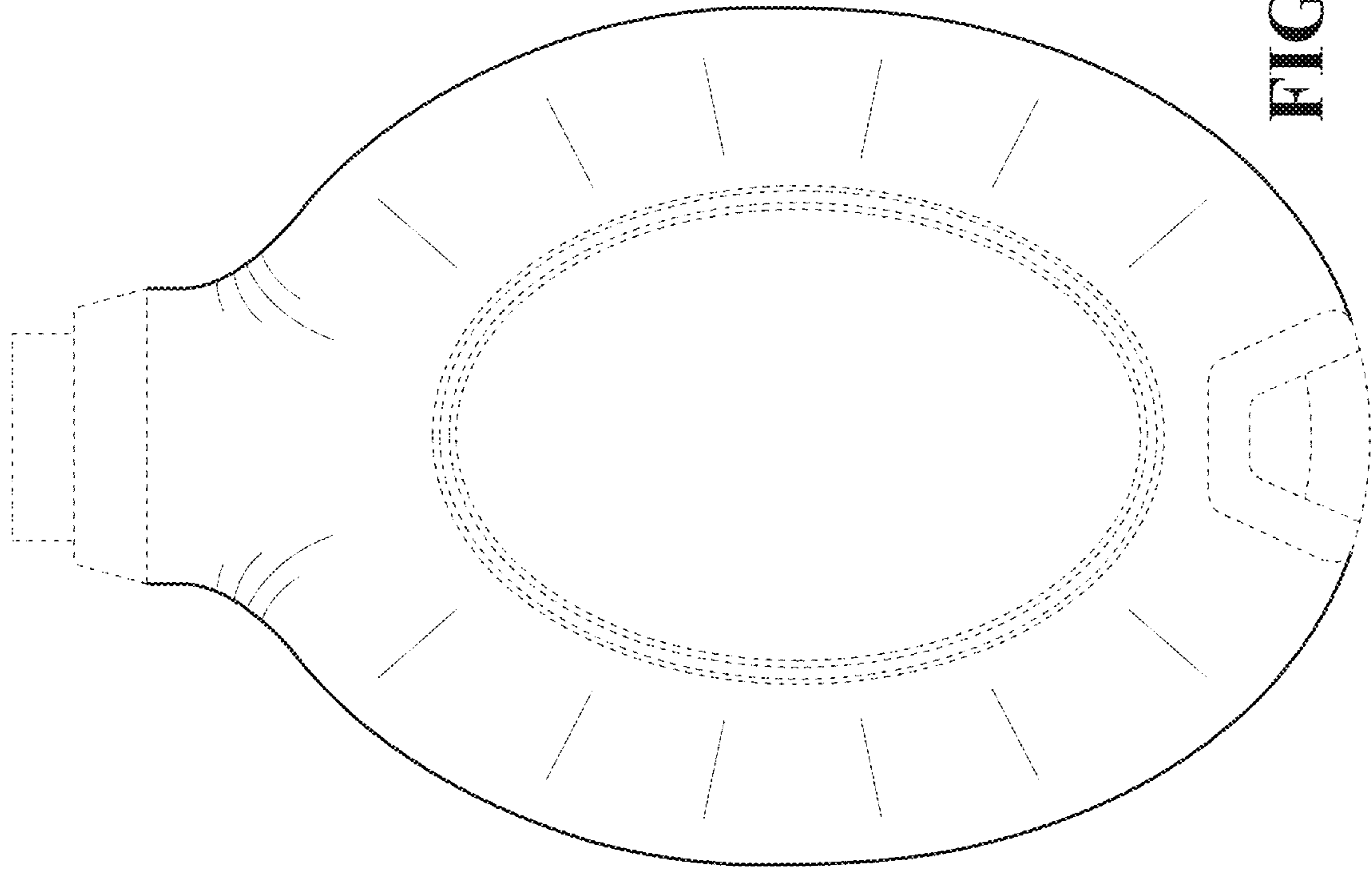


FIG. 6

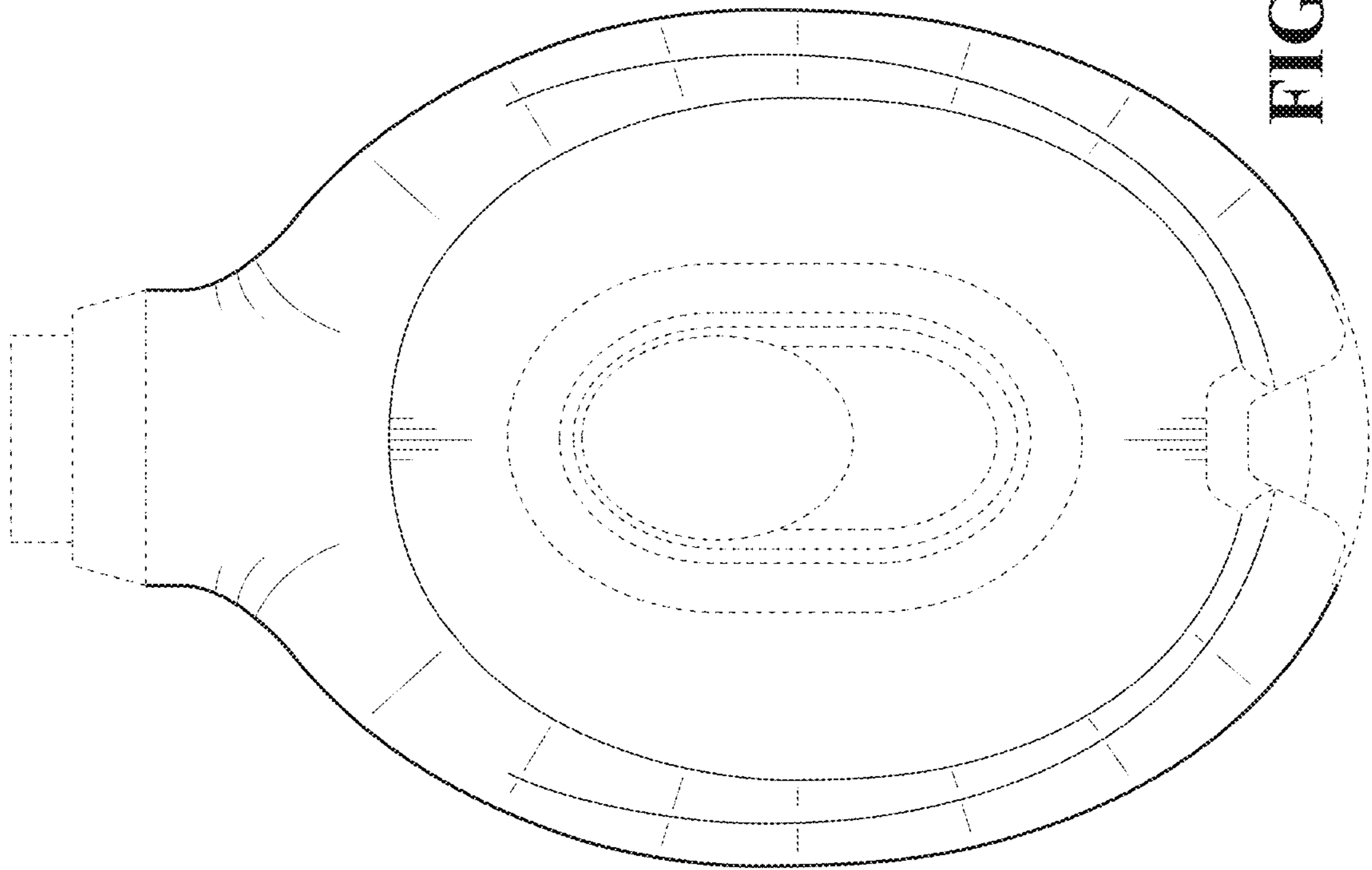


FIG. 5

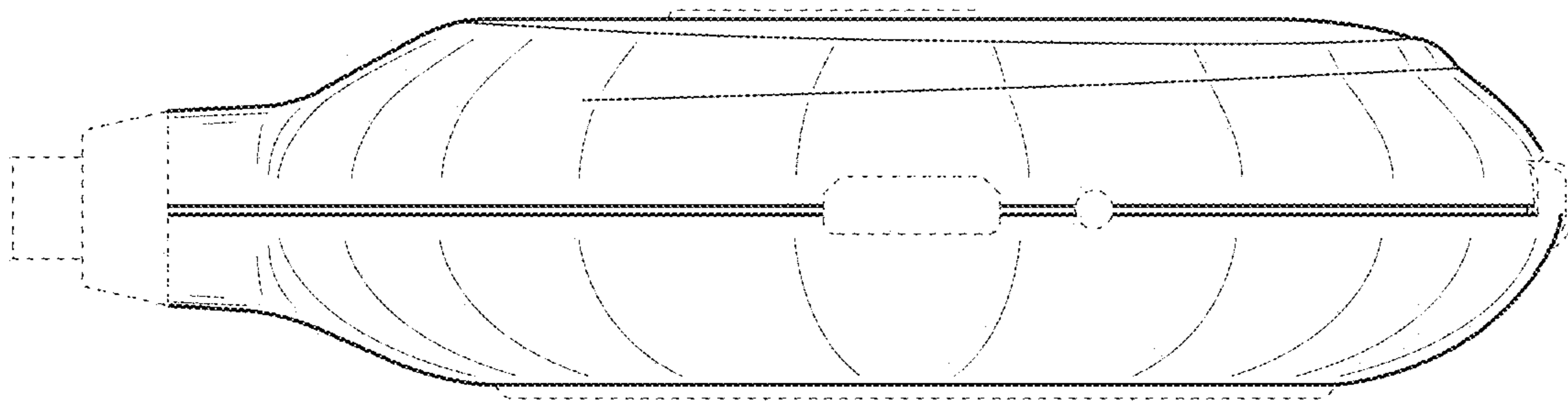


FIG. 7

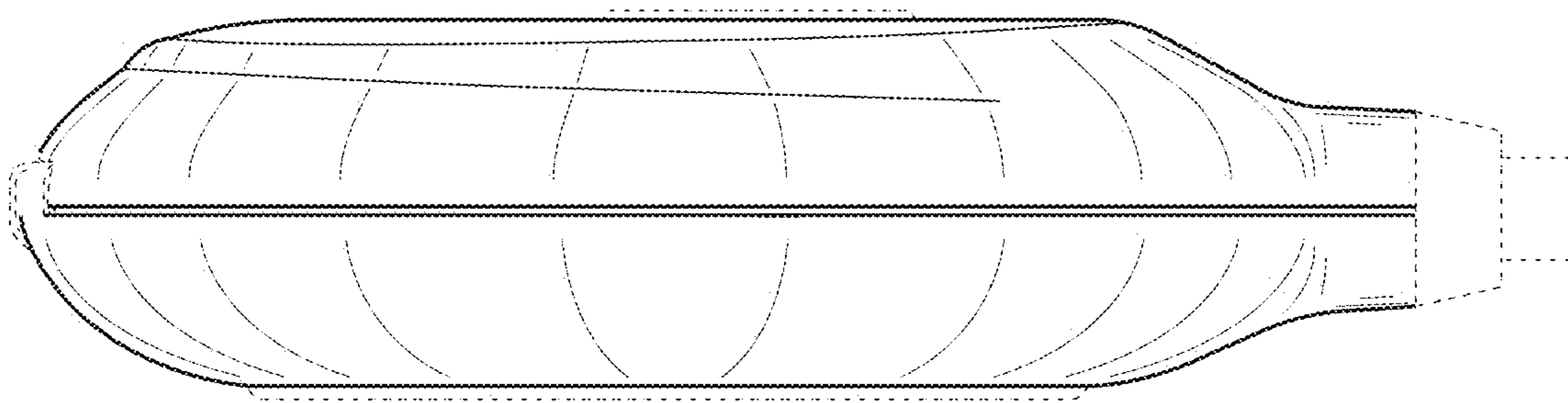


FIG. 8