



US00D937204S

(12) **United States Design Patent**
Okai et al.

(10) **Patent No.:** **US D937,204 S**

(45) **Date of Patent:** **** Nov. 30, 2021**

(54) **PERSONAL CARE IMPLEMENT CHARGER**

(71) Applicant: **Colgate-Palmolive Company**, New York, NY (US)

(72) Inventors: **Takahide Okai**, Highland Park, NJ (US); **Brian Bloch**, Hillsborough, NJ (US); **Brett Newman**, San Francisco, CA (US); **Kyle Swen**, San Carlos, CA (US); **Francois Dransart**, San Francisco, CA (US); **Carly Byungyeon Kim**, San Francisco, CA (US)

(73) Assignee: **Colgate-Palmolive Company**, New York, NY (US)

(**) Term: **15 Years**

(21) Appl. No.: **29/673,744**

(22) Filed: **Dec. 18, 2018**

(51) **LOC (13) Cl.** **13-02**

(52) **U.S. Cl.**
USPC **D13/108**

(58) **Field of Classification Search**
USPC D13/107-110, 118, 119, 184, 199
CPC .. Y02E 60/12; H01R 13/6675; H01M 2/1022;
H01M 2/1055; H01M 10/44; H01M 10/46; H01M 10/425; H02J 2001/008;
H02J 3/32; H02J 3/008; H02J 7/0027;
H02J 7/0013; H02J 7/0054; H02J 7/00;
B60R 16/03
See application file for complete search history.

(56) **References Cited**

U.S. PATENT DOCUMENTS

D482,201 S 11/2003 Long
D578,475 S * 10/2008 Beedham D13/108
D611,712 S 3/2010 Stoerkel et al.
D632,894 S 2/2011 Shigeno et al.
D653,035 S 1/2012 Gebski
D768,570 S * 10/2016 Shigeno D13/108

D768,571 S * 10/2016 Shigeno D13/108
D780,456 S 3/2017 Takashi et al.
D798,060 S 9/2017 Shigeno et al.
D798,807 S * 10/2017 Shi D13/108
D799,218 S 10/2017 Okai
D810,015 S * 2/2018 Carreon D13/108
D828,807 S * 9/2018 Yohai-Giochais D13/108
D850,372 S * 6/2019 Kong D13/108

(Continued)

FOREIGN PATENT DOCUMENTS

CN 3323357 9/2003
CN 301054685 11/2009

(Continued)

OTHER PUBLICATIONS

Amazon.com: Pwr Charger for Philips Sonicare Toothbrush . . .
Published Feb. 20, 2017. Retrieved from the internet at <https://
www.amazon.com/Adapter-Instruments-Titanium-Graphing-Calculator/
dp/B0087IP7AU/>, May 20, 2021. 1 page. (Year: 2017).*

Primary Examiner — Christy Nemeth

(57) **CLAIM**

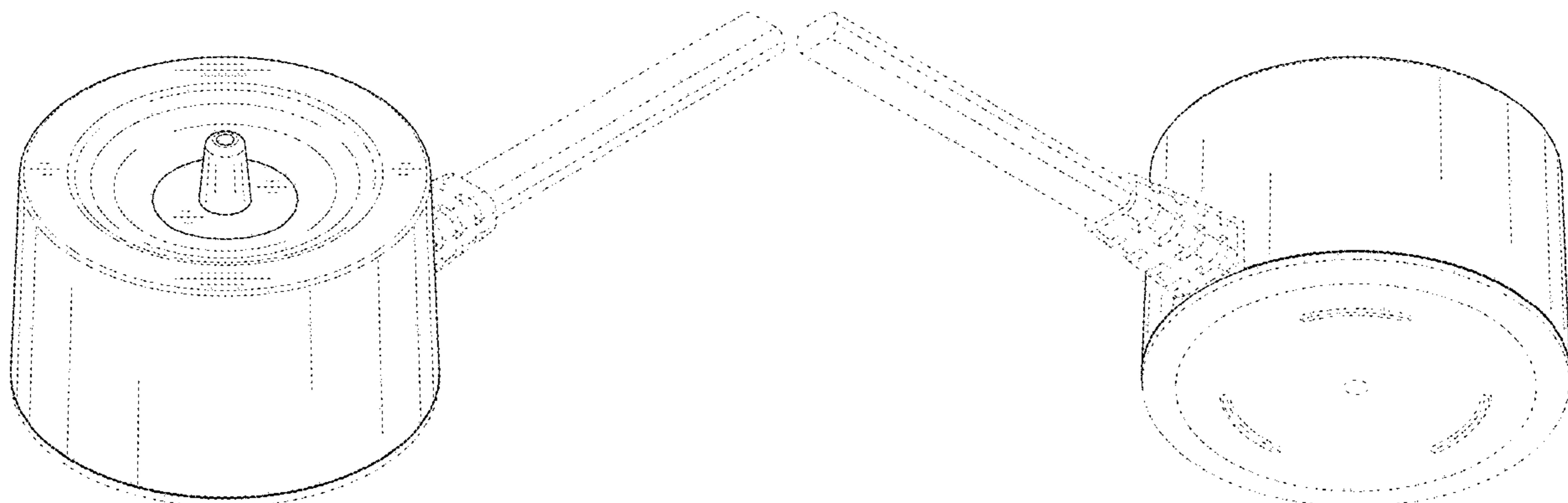
The ornamental design for a personal care implement charger, as shown and described.

DESCRIPTION

FIG. 1 is a front perspective view of a personal care implement charger according to the new design;
FIG. 2 is a rear perspective view thereof;
FIG. 3 is a front view thereof;
FIG. 4 is a rear view thereof;
FIG. 5 is a left side view thereof,
FIG. 6 is a right side view thereof;
FIG. 7 is a top view thereof; and,
FIG. 8 is a bottom view thereof.

The broken lines in the drawings illustrate portions of the article that form no part of the claimed design.

1 Claim, 7 Drawing Sheets



(56)

References Cited

U.S. PATENT DOCUMENTS

D865,664 S *	11/2019	Liao	D13/108
D870,040 S *	12/2019	Wu	D13/108
D870,663 S *	12/2019	Schubert	D13/108
D870,664 S *	12/2019	Langhammer	D13/108
D870,665 S *	12/2019	Schubert	D13/108
D879,298 S *	3/2020	Byung	D24/165
D883,200 S *	5/2020	Wong	D13/108
D884,624 S *	5/2020	Lei	D13/108
D886,052 S *	6/2020	Albay	D13/108
D887,976 S *	6/2020	Tung	D13/108
D891,366 S *	7/2020	Xie	D13/108
D893,420 S *	8/2020	Xiao	D13/108
D893,421 S *	8/2020	Xiao	D13/108
D894,122 S *	8/2020	Ye	D13/108
D895,541 S *	9/2020	Zhang	D13/108
D897,282 S *	9/2020	Ye	D13/107
D908,620 S *	1/2021	Akana	D13/108
D913,222 S *	3/2021	Albay	D13/108
D916,656 S *	4/2021	Choe	D13/108
D917,390 S *	4/2021	Tung	D13/108

FOREIGN PATENT DOCUMENTS

CN	301136943	2/2010
CN	301150823	3/2010
CN	301517889	4/2011
CN	301736979	11/2011
CN	302655801	11/2013
CN	302712322	1/2014
CN	302951500	10/2014
CN	303137887	3/2015
CN	303228612	6/2015
CN	303291741	7/2015
CN	303308189	7/2015
CN	303380387	9/2015
CN	303485297	12/2015
CN	303485300	12/2015
CN	303555842	1/2016
CN	303568996	1/2016
CN	303582077	2/2016
CN	303600325	3/2016
CN	303630115	3/2016
CN	303651162	4/2016
CN	303658434	5/2016
CN	303705050	6/2016
CN	303705073	6/2016
CN	303731682	6/2016

CN	303758098	7/2016
CN	303781887	8/2016
CN	303810436	8/2016
CN	303857368	9/2016
CN	303858605	9/2016
CN	303873245	9/2016
CN	303919026	11/2016
CN	303939861	11/2016
CN	303962142	12/2016
CN	303972535	12/2016
CN	303990679	12/2016
CN	304075966	3/2017
CN	304097979	4/2017
CN	304108472	4/2017
CN	304120816	5/2017
CN	304124146	5/2017
CN	304134556	5/2017
CN	304181219	6/2017
CN	304189305	6/2017
CN	304251488	8/2017
CN	304267080	9/2017
CN	304276474	9/2017
CN	304276504	9/2017
EM	001078414-0007	5/2009
EM	001127815-0002	6/2009
EM	001787714-0004	12/2010
EM	001255947-0002	4/2011
EM	001312672-0001	2/2012
EM	002012328-0001	4/2012
EM	002012328-0002	4/2012
EM	001317358-0002	5/2012
EM	001333496-0001	7/2012
EM	002163675-0002	1/2013
EM	002218651-0001	7/2013
EM	002218651-0002	7/2013
EM	001413454-0001	6/2014
EM	002422949-0001	9/2014
EM	002424069-0001	9/2014
EM	002488676-0001	1/2015
EM	002488676-0002	1/2015
EM	002637884-0001	2/2015
EM	004043263-0001	6/2017
EM	004119089-0001	7/2017
EM	004140150-0001	8/2017
EM	004173342-0003	9/2017
EM	004173342-0004	9/2017
TW	D173771	2/2016
TW	D173772	2/2016
TW	D179057	10/2016

* cited by examiner

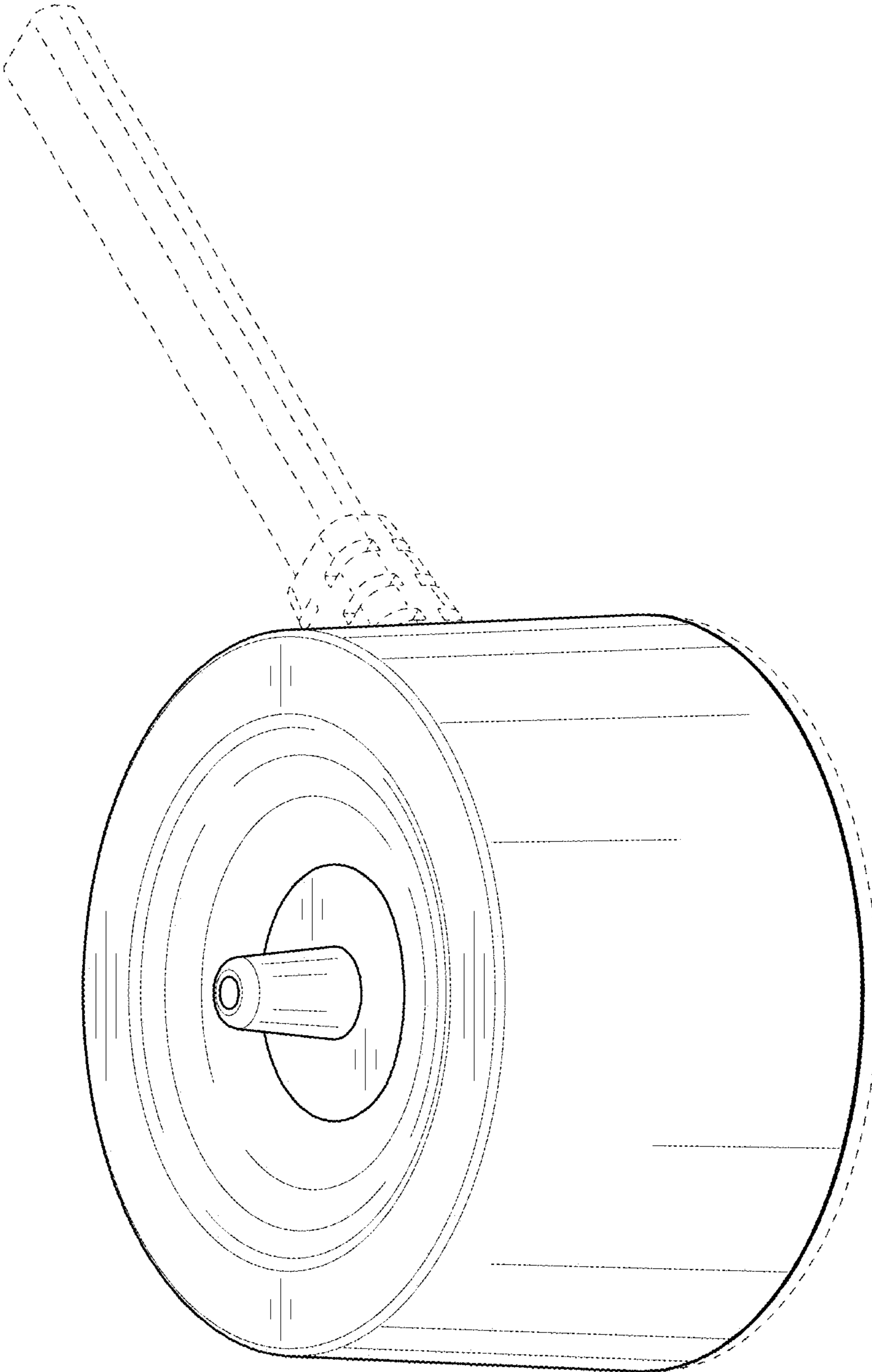


FIG. 1

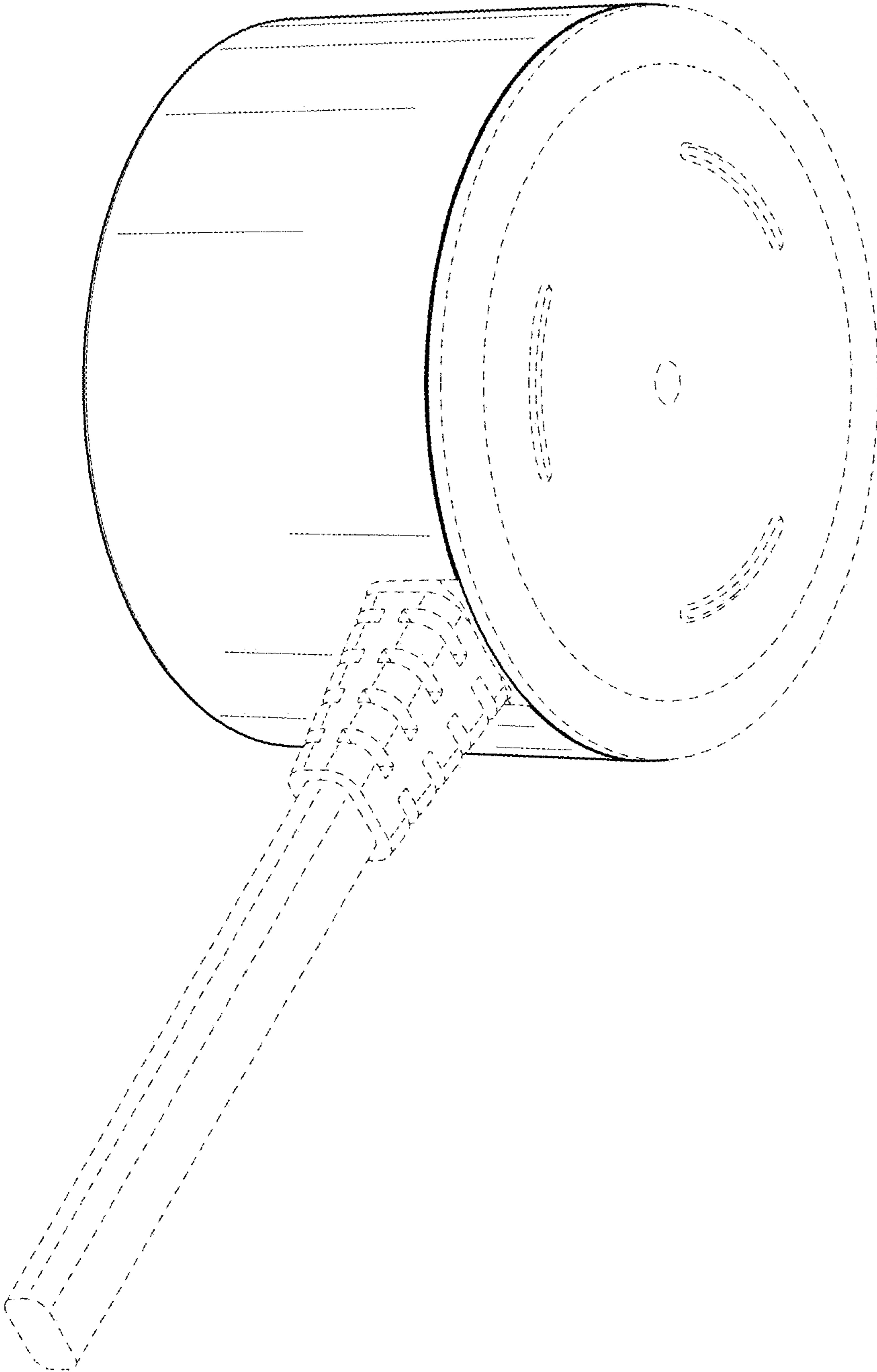


FIG. 2

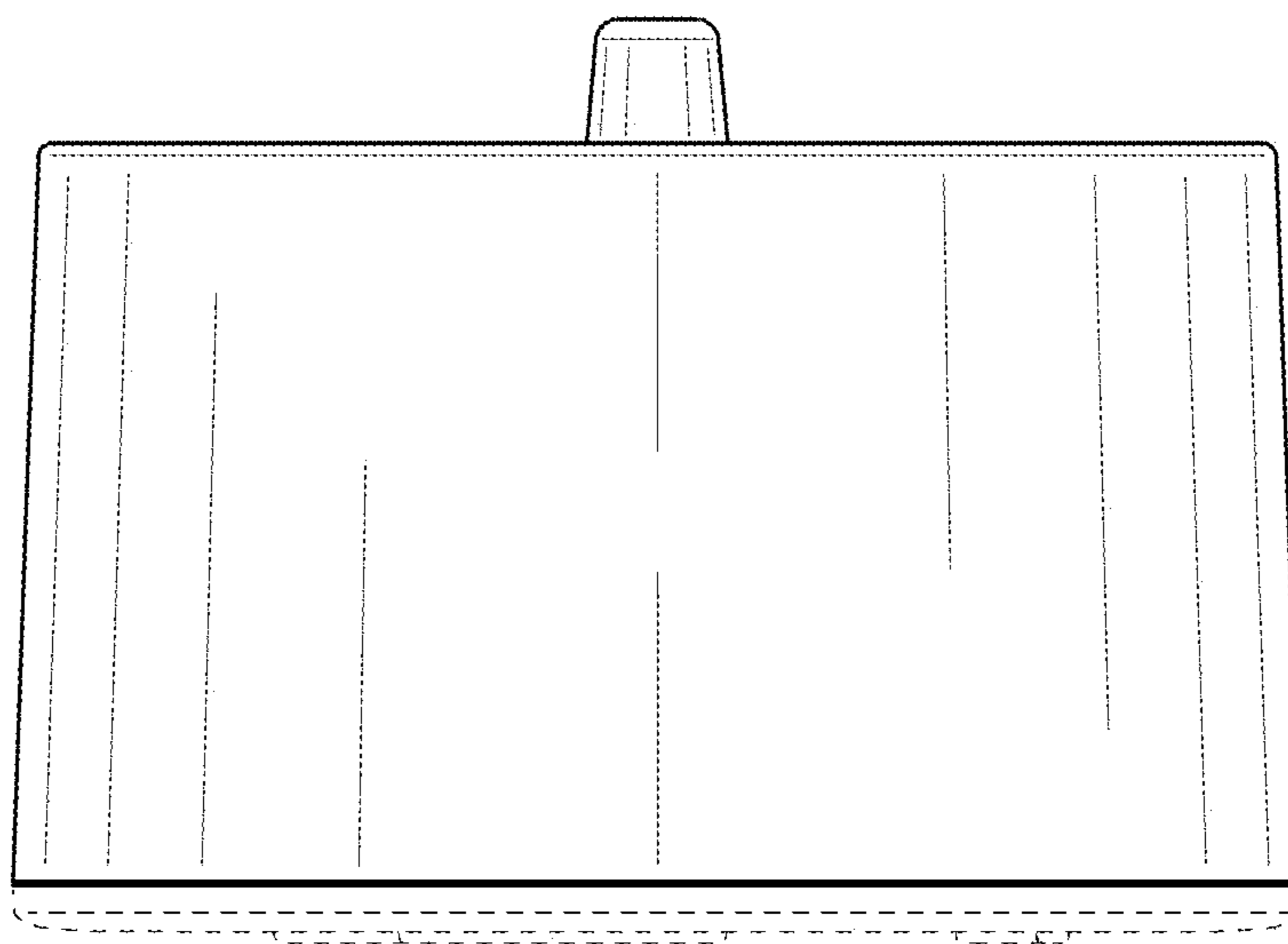


FIG. 3

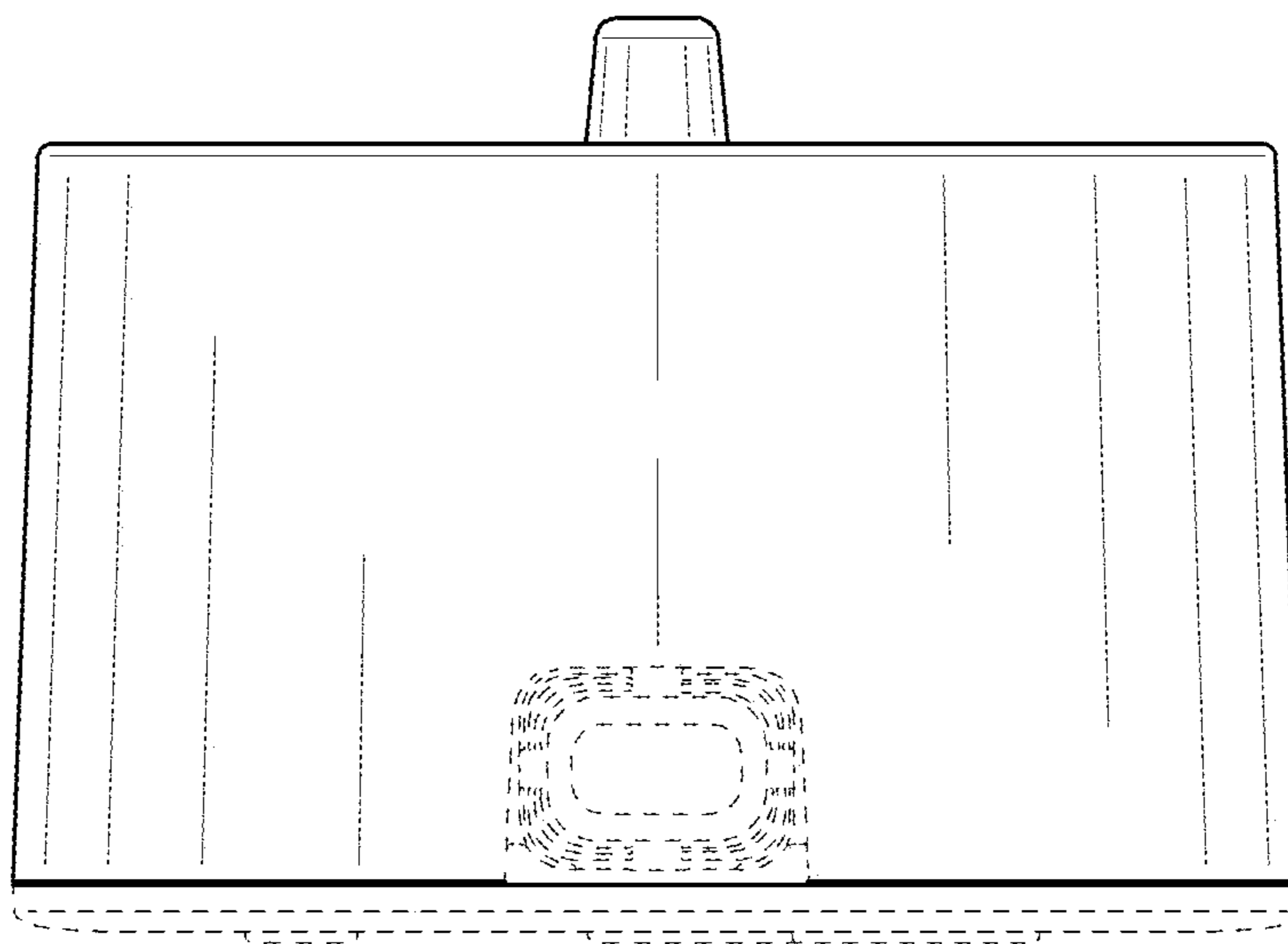


FIG. 4

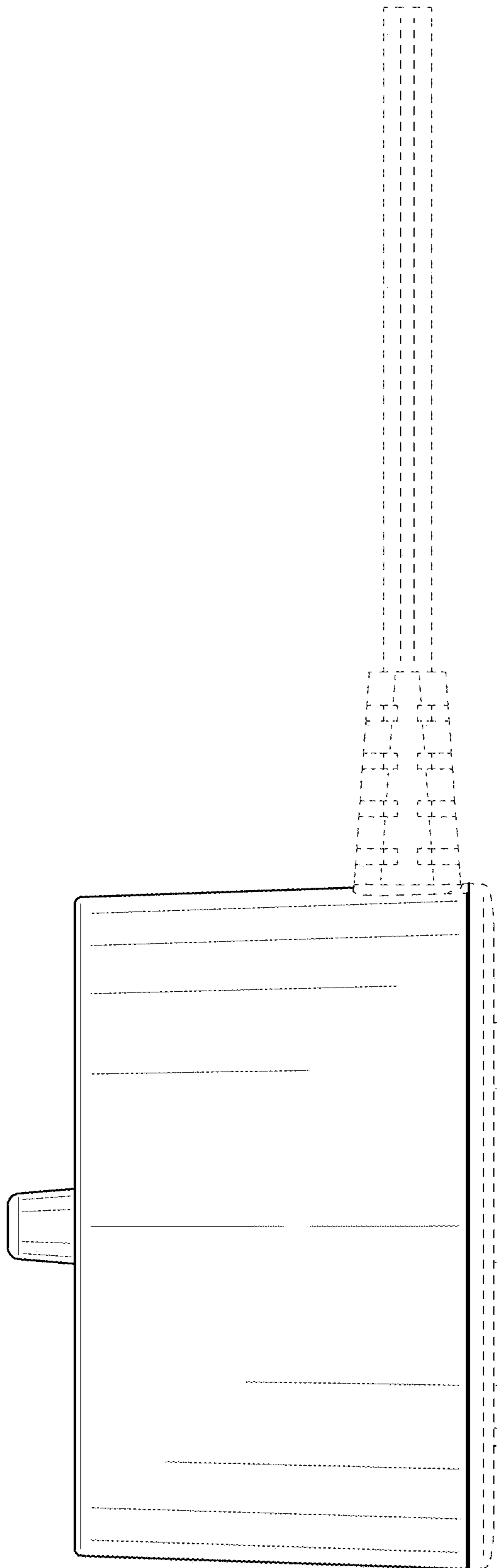


FIG. 5

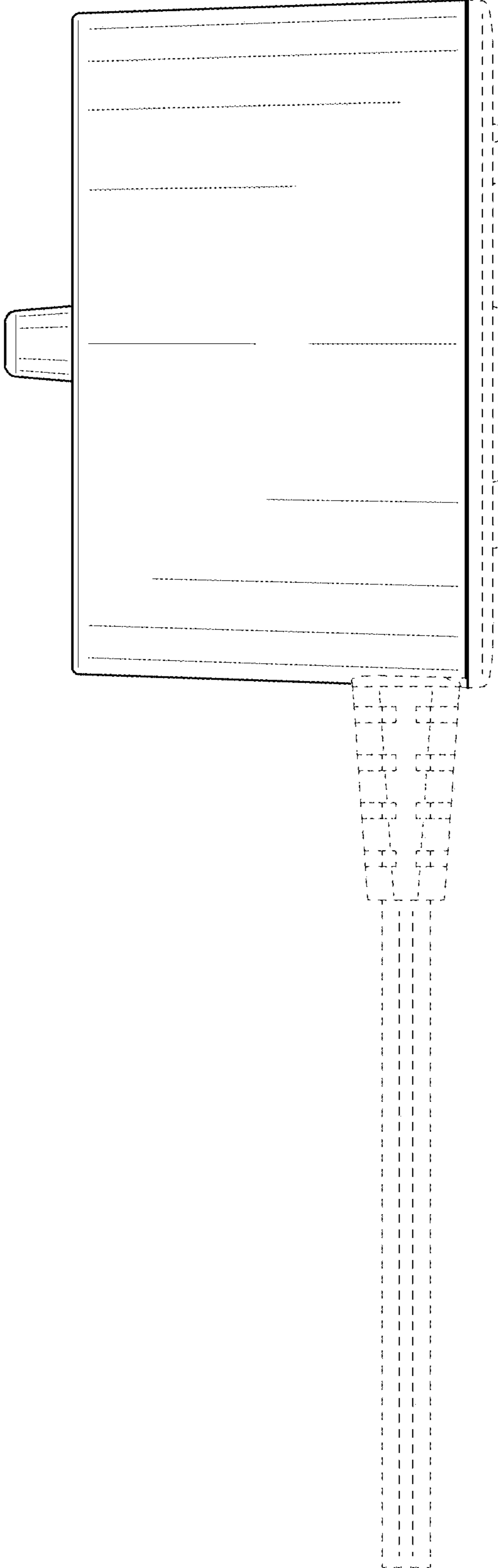


FIG. 6

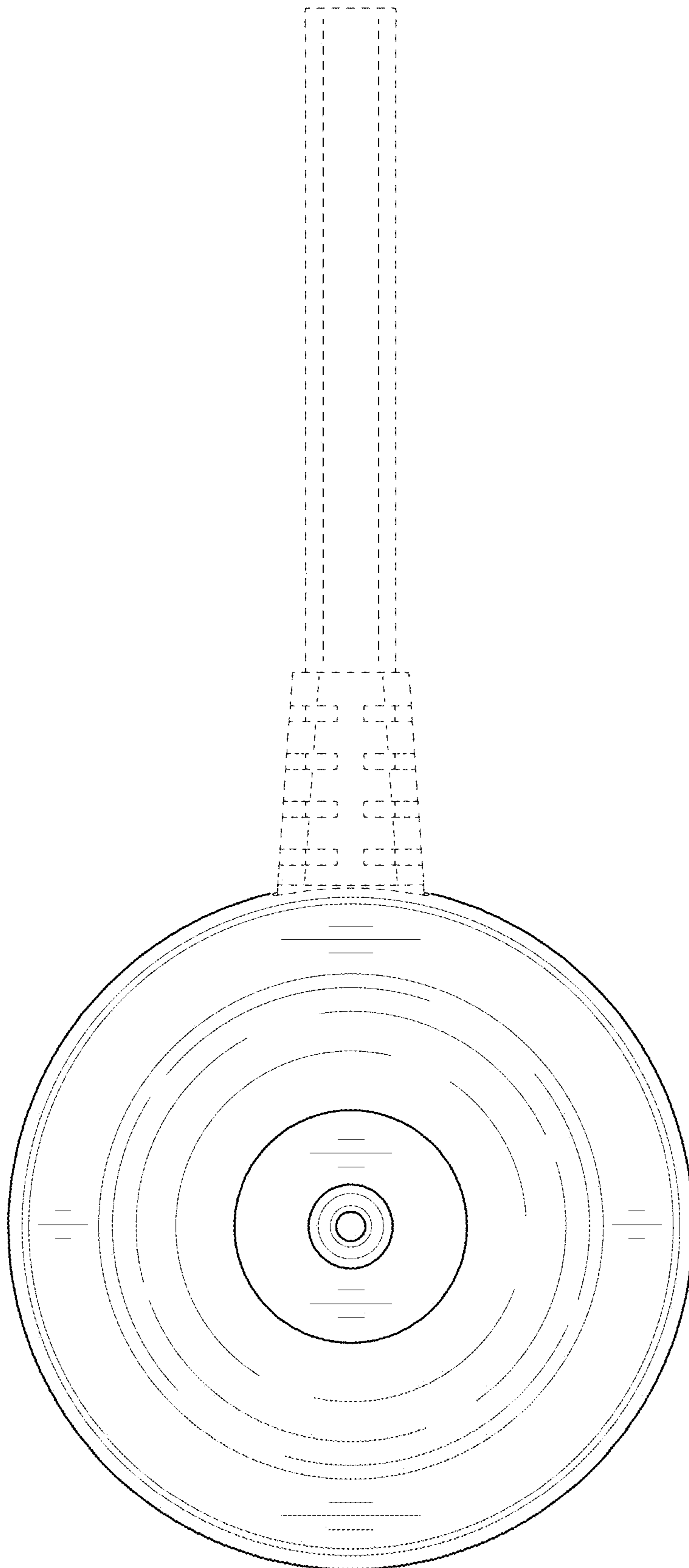


FIG. 7

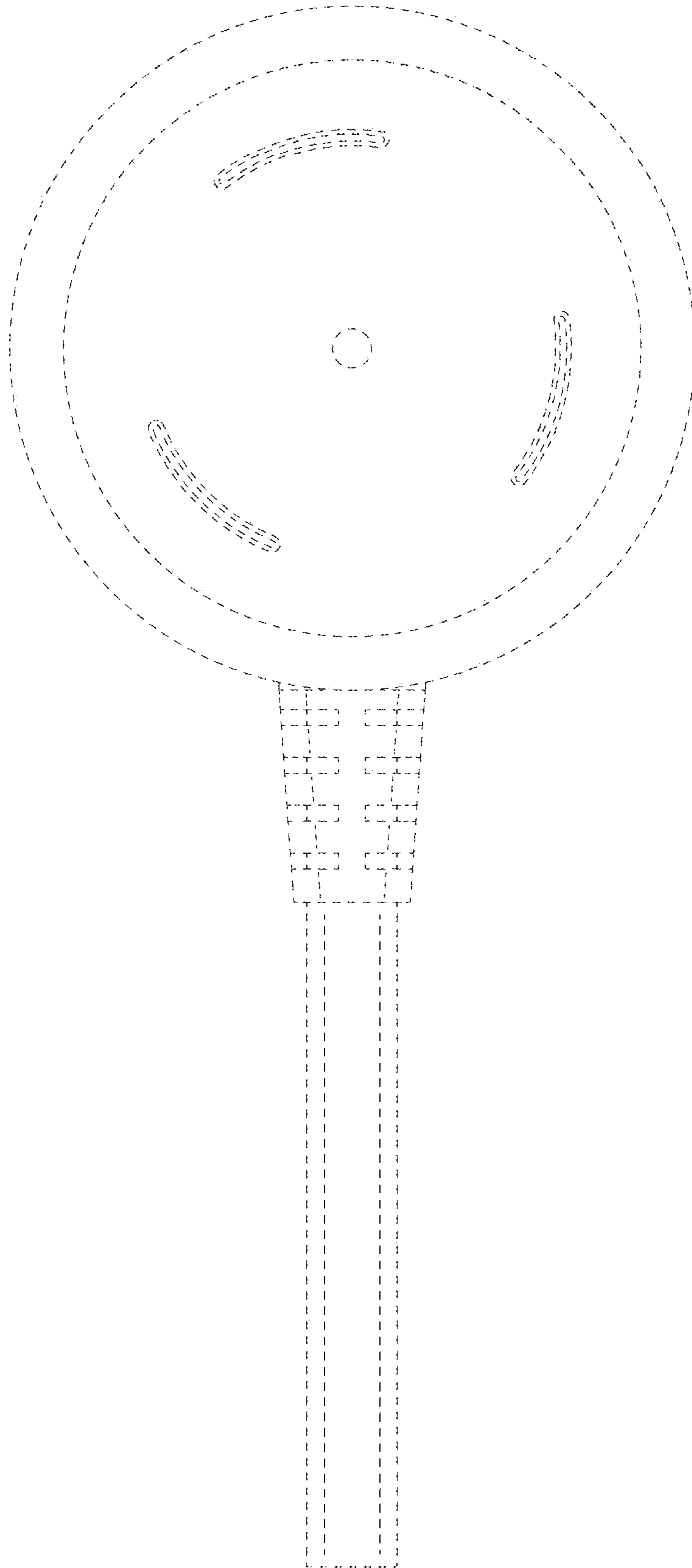


FIG. 8