

US00D937203S

(12) **United States Design Patent** (10) **Patent No.:** **US D937,203 S**  
**Leabman** (45) **Date of Patent:** **\*\* Nov. 30, 2021**

- (54) **WIRELESS CHARGING DEVICE**
- (71) Applicant: **Energous Corporation**, San Jose, CA (US)
- (72) Inventor: **Michael Leabman**, San Ramon, CA (US)
- (73) Assignee: **ENERGOUS CORPORATION**, San Jose, CA (US)

- D205,596 S 8/1966 Marti et al.
- 3,560,092 A 2/1971 Coney
- D246,180 S 10/1977 Yamauchi
- D247,619 S 3/1978 Edgell et al.
- 4,702,615 A 10/1987 Havel
- D308,861 S 6/1990 Tsukada et al.
- 5,022,170 A 6/1991 House
- D324,673 S 3/1992 Iino
- D326,779 S 6/1992 Durand
- 5,375,351 A 12/1994 King et al.

(Continued)

- (\*\*) Term: **15 Years**
- (21) Appl. No.: **29/669,227**
- (22) Filed: **Nov. 6, 2018**

**OTHER PUBLICATIONS**

The Silver-Frame of the Bulletin Board that says "Raching for the Stars" at <http://tpisusu1.weebly.com/top-10-before-open-house.com.html>; closeup of image from amazonaws.com' Jun. 18, 2016.

(Continued)

**Related U.S. Application Data**

- (63) Continuation of application No. 29/550,055, filed on Dec. 30, 2015, now Pat. No. Des. 832,783.
- (51) **LOC (13) Cl.** ..... **13-02**
- (52) **U.S. Cl.**  
USPC ..... **D13/108**
- (58) **Field of Classification Search**  
USPC ..... D13/103, 110, 118-119, 184, 107-108;  
D14/251, 253, 432, 434  
CPC ..... H02J 7/025; H02J 7/005; H02J 7/0026;  
H02J 7/0042; H02J 7/0044; H02J 7/0045;  
H02J 7/0013; H02J 7/0003; H02J 7/007;  
H02J 7/0027; H02J 50/00; H02J 50/80;  
H02J 50/10; H02J 50/12  
See application file for complete search history.

*Primary Examiner* — Rosemary K Tarcza  
(74) *Attorney, Agent, or Firm* — Morgan, Lewis & Bockius LLP

(57) **CLAIM**

The ornamental design for a wireless charging device, substantially as shown and described.

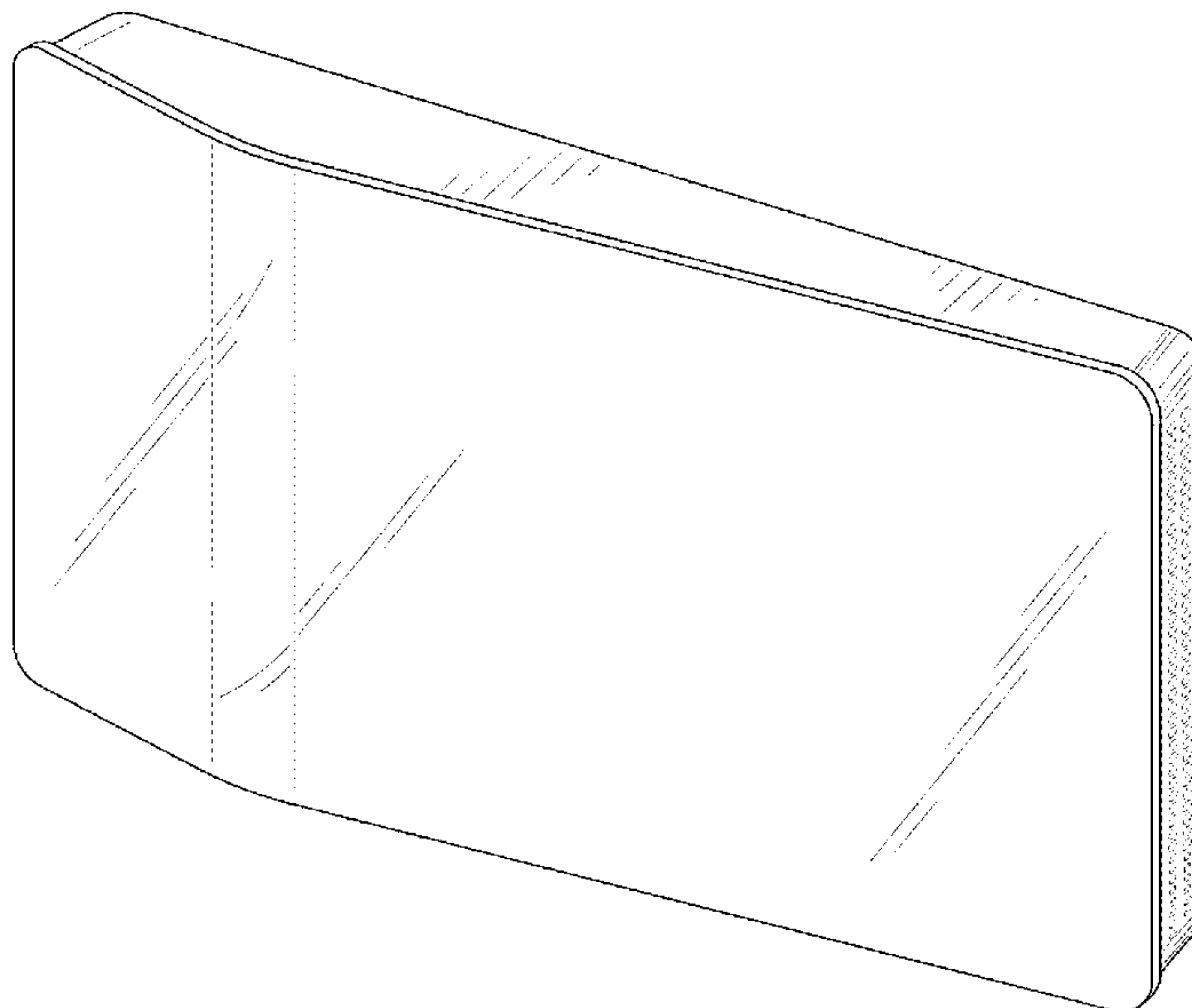
**DESCRIPTION**

FIG. 1 is a perspective view of a wireless charging device showing our new design.  
FIG. 2 is a front view of the wireless charging device.  
FIG. 3 is a back view of the wireless charging device.  
FIG. 4 is a right-side view of the wireless charging device.  
FIG. 5 is a left-side view of the wireless charging device.  
FIG. 6 is a top view of the wireless charging device; and, FIG. 7 is a bottom view of the wireless charging device.  
The broken lines are included for purposes of illustrating portions of the wireless charging device that form no part of the claimed design.

(56) **References Cited**  
**U.S. PATENT DOCUMENTS**

- D37,716 S 12/1905 Blanck
- 1,802,999 A 4/1931 Budd
- 1,945,072 A 1/1934 Quigley
- 2,201,251 A 5/1940 Van Patten
- D151,634 S 11/1948 Hanna

**1 Claim, 3 Drawing Sheets**



(56)

References Cited

U.S. PATENT DOCUMENTS

D354,002 S	1/1995	Kawashima	D656,954 S	4/2012	Arnold et al.	
5,396,999 A	3/1995	Sandheinrich	D668,605 S *	10/2012	Park .....	D13/108
D358,037 S	5/1995	Monroe	D669,029 S	10/2012	Huang	
D367,257 S	2/1996	Buelow et al.	D669,087 S	10/2012	Reter et al.	
D370,129 S	5/1996	Freudenfeld	8,285,231 B2	10/2012	Rofougaran et al.	
5,611,701 A	3/1997	Hahn	D671,951 S	12/2012	Lin	
D389,455 S	1/1998	Lindahl	D680,061 S *	4/2013	Jiang .....	D13/103
D392,248 S	3/1998	Johansson	D682,196 S	5/2013	Leung	
D396,686 S	8/1998	Bay et al.	D682,272 S	5/2013	Kim et al.	
5,791,620 A	8/1998	Carcich, Jr.	D682,305 S	5/2013	Mierau et al.	
D400,495 S	11/1998	Deslyper et al.	D682,850 S	5/2013	Del Pasqua	
D417,701 S	12/1999	Jack	D683,403 S	5/2013	Vasconcelos	
D418,309 S	1/2000	Kuebel et al.	D686,152 S	7/2013	Lee et al.	
D421,529 S	3/2000	Rowan	D687,374 S	8/2013	Biedermann et al.	
D424,813 S	5/2000	DeMary	D687,375 S	8/2013	Franco et al.	
D431,537 S	10/2000	Saeki et al.	D687,458 S	8/2013	Philopoulos	
D434,569 S	12/2000	Frischman	D688,262 S	8/2013	Pearcy et al.	
D436,255 S	1/2001	Colby	D688,263 S	8/2013	Pearcy et al.	
D446,240 S	8/2001	Harvey	D689,231 S	9/2013	Crawford et al.	
D458,459 S	6/2002	Gottwald	D689,512 S	9/2013	Pearcy et al.	
D460,984 S	7/2002	McGowan	D689,513 S	9/2013	Pearcy et al.	
D471,236 S	3/2003	Robbins, III	D689,689 S	9/2013	Mango	
D471,540 S	3/2003	Tomino et al.	D691,626 S	10/2013	Philopoulos	
D474,198 S	5/2003	Barnes	D691,976 S	10/2013	Hotta et al.	
6,725,268 B1	4/2004	Jackel et al.	D692,451 S	10/2013	Pearcy et al.	
6,771,494 B2	8/2004	Shimano	D693,297 S	11/2013	Inskeep	
D496,297 S	9/2004	Kahil et al.	D693,798 S	11/2013	Chuang et al.	
D497,351 S	10/2004	Kita	D693,845 S	11/2013	Pearcy et al.	
D499,386 S	12/2004	Yang	D694,210 S	11/2013	Fujii et al.	
D533,561 S	12/2006	Pelczarski et al.	D694,259 S	11/2013	Klein	
D534,883 S	1/2007	Kang et al.	8,576,551 B2	11/2013	Oh et al.	
D540,285 S	4/2007	Kita	D696,189 S *	12/2013	Muto .....	D13/108
D535,231 S	6/2007	Otsubo et al.	D696,689 S	12/2013	Lee et al.	
7,242,353 B2	7/2007	Hung et al.	D697,473 S	1/2014	Guccione et al.	
7,260,984 B2	8/2007	Roundy et al.	D697,932 S	1/2014	Lee et al.	
D551,717 S	9/2007	Diller	D697,935 S	1/2014	Lee et al.	
D556,678 S	12/2007	Weinstein et al.	D699,280 S	2/2014	Lim et al.	
D559,260 S	1/2008	Noviello et al.	D703,693 S	4/2014	Brinda et al.	
D562,760 S	2/2008	Hanks	D707,666 S	6/2014	Ting et al.	
D563,972 S	3/2008	Sherry	8,779,989 B2	7/2014	Huang et al.	
D567,197 S	4/2008	Kita	8,816,928 B2	8/2014	Weng	
7,362,259 B2	4/2008	Gottwald	D713,786 S *	9/2014	Wen .....	D13/108
D568,844 S	5/2008	Fujii et al.	8,836,584 B2	9/2014	Kim et al.	
D569,869 S	5/2008	Chotai et al.	D716,340 S	10/2014	Bresin et al.	
D573,117 S	7/2008	Niitsu	8,872,703 B2	10/2014	Degen et al.	
D586,361 S	2/2009	Horowitz et al.	D717,330 S	11/2014	Lin	
D586,363 S	2/2009	Horowitz et al.	8,878,737 B2	11/2014	Rao	
D588,149 S	3/2009	Brownell et al.	8,890,751 B2	11/2014	Wolf et al.	
D596,532 S	7/2009	Opfer et al.	D719,091 S	12/2014	Leddusire	
D596,562 S	7/2009	Hong et al.	D719,506 S *	12/2014	Jung .....	D13/108
D599,810 S	9/2009	Scalisi et al.	8,922,434 B2	12/2014	Prat et al.	
D599,814 S	9/2009	Ogura et al.	D720,691 S	1/2015	Lo et al.	
D601,572 S	10/2009	Wall et al.	D722,613 S	2/2015	Pearcy et al.	
D603,420 S	11/2009	Channell	D723,459 S *	3/2015	Dang .....	D13/108
D603,834 S	11/2009	Lyman et al.	D723,485 S	3/2015	Hwangbo et al.	
D615,885 S	5/2010	Ng et al.	D726,135 S	4/2015	Takechi	
D619,593 S	7/2010	Fujioka et al.	D727,334 S	4/2015	Mahadevia et al.	
D620,948 S	8/2010	Scalisi et al.	9,019,165 B2	4/2015	Shtrom et al.	
D621,391 S	8/2010	Douglas et al.	D729,163 S *	5/2015	Meyer .....	D13/123
D621,780 S	8/2010	Ferber et al.	D730,925 S	6/2015	Lin	
D622,281 S	8/2010	Maitlen et al.	D731,419 S	6/2015	Kao et al.	
D626,876 S	11/2010	Jones	D731,510 S	6/2015	Kiruluta et al.	
D634,723 S	3/2011	Park et al.	D732,058 S	6/2015	Landis et al.	
D634,749 S	3/2011	Brown	D732,556 S	6/2015	Shunock	
D637,153 S	5/2011	Ikeda et al.	D732,575 S	6/2015	Vardy	
D638,356 S	5/2011	Chen	D733,083 S	6/2015	Hwangbo et al.	
D638,847 S	5/2011	Woods et al.	9,055,254 B2	6/2015	Selim	
7,973,722 B1	7/2011	Hill et al.	D733,735 S	7/2015	Masril	
D643,878 S	8/2011	Osorio	D734,255 S	7/2015	Leidel	
D644,989 S *	9/2011	Guccione .....	D734,394 S	7/2015	Lyons	
D646,689 S	10/2011	Ulliot	D735,224 S	7/2015	Ryzhkov	
D650,790 S	12/2011	Jeans et al.	D735,717 S	8/2015	Lam et al.	
D652,381 S	1/2012	Tien	D736,170 S	8/2015	Ryu et al.	
D654,925 S	2/2012	Nishizawa et al.	D736,219 S	8/2015	Petersen et al.	
8,125,772 B2	2/2012	Kim	D738,893 S	9/2015	Impas et al.	
			D739,425 S	9/2015	Shawki	
			D740,846 S	10/2015	Mitchell et al.	
			D742,312 S *	11/2015	Gupta .....	D13/108
			D743,361 S	11/2015	Hwangbo et al.	



(56)

References Cited

U.S. PATENT DOCUMENTS

D744,441	S	12/2015	Shin et al.	
D745,559	S	12/2015	Sanderson et al.	
D746,227	S	12/2015	Lemire-Elmore et al.	
D746,294	S	12/2015	Jung et al.	
D747,329	S	1/2016	Lessin et al.	
D748,126	S	1/2016	Sarukkai et al.	
D748,664	S	2/2016	Noack et al.	
D749,125	S	2/2016	Meegan et al.	
D749,126	S	2/2016	Goldenberg et al.	
D749,127	S	2/2016	Goldenberg et al.	
D749,606	S	2/2016	Wang	
D750,660	S	3/2016	Caldwell	
D752,616	S	3/2016	Kouvas et al.	
D753,080	S	4/2016	Dai et al.	
D753,157	S	4/2016	Hau et al.	
D753,619	S	4/2016	Itai et al.	
D754,122	S	4/2016	Oakley	
D755,121	S	5/2016	Barajas et al.	
D755,136	S	5/2016	Jung et al.	
D755,138	S	5/2016	Kim et al.	
D755,195	S	5/2016	Meyers et al.	
D755,199	S	5/2016	Meyers et al.	
D757,764	S	5/2016	Han et al.	
D757,767	S	5/2016	Wilke et al.	
D758,360	S	6/2016	Lyles et al.	
D760,756	S	7/2016	Koeten et al.	
D762,168	S	7/2016	Sandoval et al.	
D762,648	S *	8/2016	Akana .....	D14/434
D762,649	S *	8/2016	Akana .....	D14/434
D763,790	S	8/2016	Lei	
D764,512	S	8/2016	McNeil et al.	
D770,440	S	11/2016	Chou	
D772,952	S	11/2016	Voss et al.	
D773,991	S *	12/2016	Liu .....	D13/107
D781,841	S *	3/2017	Salathe .....	D14/253
D785,564	S *	5/2017	Lee .....	D13/108
D786,877	S *	5/2017	Christie, II .....	D14/434
D791,070	S *	7/2017	Son .....	D13/103
D795,874	S *	8/2017	Szeremeta .....	D14/432
D803,152	S *	11/2017	Hou .....	D13/108
D832,782	S *	11/2018	Leabman .....	D13/108
D832,783	S *	11/2018	Leabman .....	D13/108
D857,019	S *	8/2019	Mecchella .....	D14/434
2004/0134718	A1	7/2004	Matsuda	
2004/0150943	A1	8/2004	Rock	
2004/0189625	A1	9/2004	Sato	
2007/0115188	A1	5/2007	Mizoguchi	
2007/0194994	A1	8/2007	Waltho	
2010/0182207	A1	7/2010	Miyata	
2012/0131504	A1	5/2012	Fadell	
2013/0346921	A1	12/2013	Shiplacoff	
2014/0082555	A1	3/2014	Wallace	
2014/0189608	A1	7/2014	Shuttleworth	
2014/0200903	A1	7/2014	Hancock	
2014/0236720	A1	8/2014	Shunock et al.	
2014/0298253	A1	10/2014	Jin et al.	
2014/0328549	A1	11/2014	Ahmann	
2014/0344294	A1	11/2014	Skeen et al.	
2015/0015504	A1	1/2015	Lee et al.	
2016/0041957	A1	2/2016	Finsterwald	

OTHER PUBLICATIONS

AVG Antivirous Android Apps. Bestandroidapp.in (online) Feb. 4, 2014 [retrieved Feb. 12, 2016]. Retrieved from the Internet <URL: <http://www.bestandroidapps.in/best-android-filter-apps/avg-antivirus-for-android>>. 4 pgs.

Dashboard Filter Grouping. Yellowfinbi.com (Online) Dec. 13, 2011 [retrieved Feb. 12, 2016] Retrieved from the Internet <URL: <http://www.yellowfinbi.com/YFForum-Dashboard-Filter-Grouping-thread=109947>>. 2 pgs.

Kelly: “Tracking the Flue with Technolgy and Twitter”.cnn.com (online) Jan. 30, 2013(retrieved Feb. 12, 2016). Retrieved from the Internet: <url: <http://kb.tableau.com/2013/01/30/tech/social-media/flu-tracking-twitter/>>. 4 pgs.

Syncing a Quick Filter with a Dashboard Filter Action. Kb.tebeau.com (online) Jan. 30, 2013 [retrieved Feb. 12, 2016] Retrieved from the Internet: <URL: <http://kb.tableau.com/articles/knowledgebase/action-quick-filter-syrnc>>. 4 pgs.

Map of Vaccine Preventable Outbreaks. Healthmap.wordpress.com (online) Jun. 4, 2014 [retrieved Feb. 12, 2016] Retrieved from the Internet: <URL: <http://healthmap.wordpress.com/2014/06/04/map-of-vaccine-preventable-outbreak>>.2 pgs.

Riggs, Mike. The Extent of America’s (Totally Unnecessary) Whooping Cough Outbreak. Citylab.com (Online) Jan. 22, 2014 [retrieved Feb. 12, 2016] Retrieved from the Internet: <URL: <http://www.citylab.com/design/2014/map-shows-extent-americas-totally-unnecessary-whooping-cough-outbreaks/8162/>>. 5 pgs.

“Whattup charge your phone from up to 20 feet (6 meters) away,” [online], posted opn Jan. 19, 2015, Retrieved Mar. 1, 2016, retrieved from <<http://forum.ae.com/eaforum/postes/list/10279297.pages>> 4 pgs.

Jquery Checked Selector. Stackoverflow.com (online) Aug. 8, 2012 [Retrieved Aug. 30, 2016], Retrieved from the Internet: <URL: <http://stackoverflow.com/questions/118689157/jquery-checked-selector>>. 4 pgs.

McClintock, Matthieu. “Databales” ocoacloud.atlassian.net(online). Nov. 22, 2015 [Retrieved Aug. 29, 2016]. Retrieved from the Internet: <URL: <https://ocoacloud.atlassian.net/wiki/display/SD/Databales>>. 4 pgs.

Amarenda, Rapura. Bootstrap Table with Sorting, Searching and Paging using data Table.js (Responsive). Codeproject.com (online). Sep. 26, 2014 [retrieved Aug. 29, 2016] Retrieved from the Internet: <URL: <http://www.codeproject.com/Tips/823490/Bootstrap-Table-with-Sorting-Searching-and-Paging>>. 8 pgs.

Letts, Nick. “Bootstrap Makes Me Look Good”. Shinesoulutions.com (online)Mar. 7, 2012[retrieved Aug. 30, 2016] Retrieved from the Internet: <URL: <https://shinesoulutions.com/2012/03/07/bootstrap-making-me-look-good/>>. 11 pgs.

Best iPhone app review sites—The list to promote IOS apps’ reviewfordev.com (online) Nov. 12, 2012 [retrieved Feb. 12, 2016] Retrieved from the Internet: <URL: <http://reviewfordev.com/blog/best-iphone-app-review-sites-the-list-to-promote-ios-apps/>>. 2 pgs.

Chapman, Cameron. “Better UI Design: Proper Use of Tables” noupe.com (online) Jul. 26, 2010 [retrieved Feb. 12, 2016] Retrieved from the Internet: <URL: <http://www.noupe.com/design/better-ui-design-proper-use-of-tables.html>>.

O’Mahony, Jennifer. Christmas Gifts list Manager App Review telegraph.co.uk (online) Nov. 29, 2012 [retrieved Feb. 12, 2016] Retrieved from the Internet: URL: <http://www.telegraph.co.uk/technology/reviews/9710912/Christmas-Gifts-Manager-App-review.html>>.

Hodgkins, Kelly. “Pandora and Spotify Lead App Store Music Rankings as Beats Coninues to Lag.” macrumors.com (online) Oct. 29, 2014 [retrieved Feb. 12, 2016] Retrieved from the Internet. <URL: <http://www.macrumors.com/2014/10/29/beats-music-trails-pandora-spotily/>>. 5 pgs.

“Allmyapps is a Windows App Store”. Nirmaltv.com (online). Dec. 22, 2010 [retrieved Feb. 12, 2016]. Retrieved from the Internet. <URL: <http://www.nirmaltv.com/2010/12/22/allmyapps-is-a-windows-app-sotre/>>. 5 pgs +A240:B247AA238:B247.

\* cited by examiner

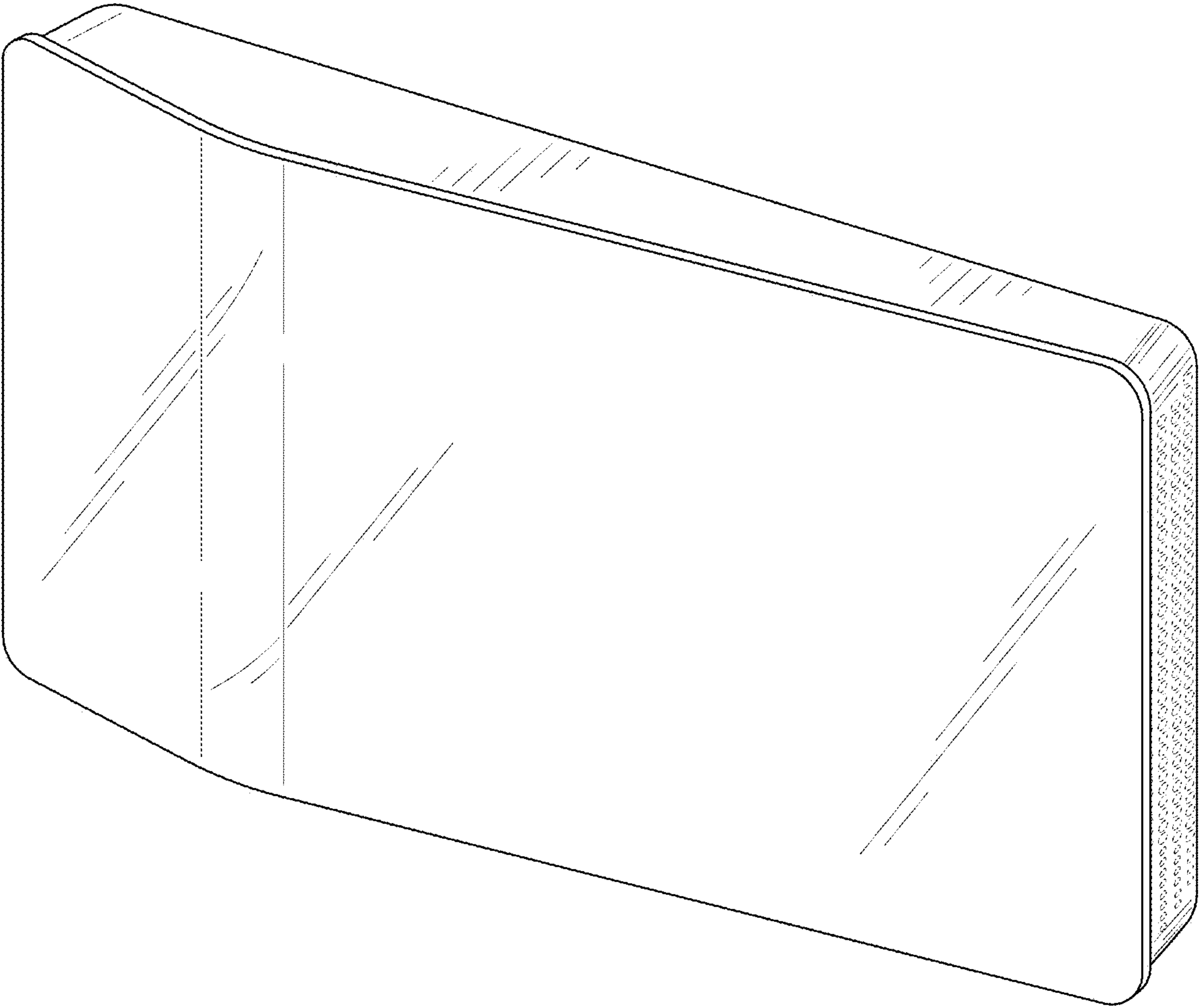


FIG. 1

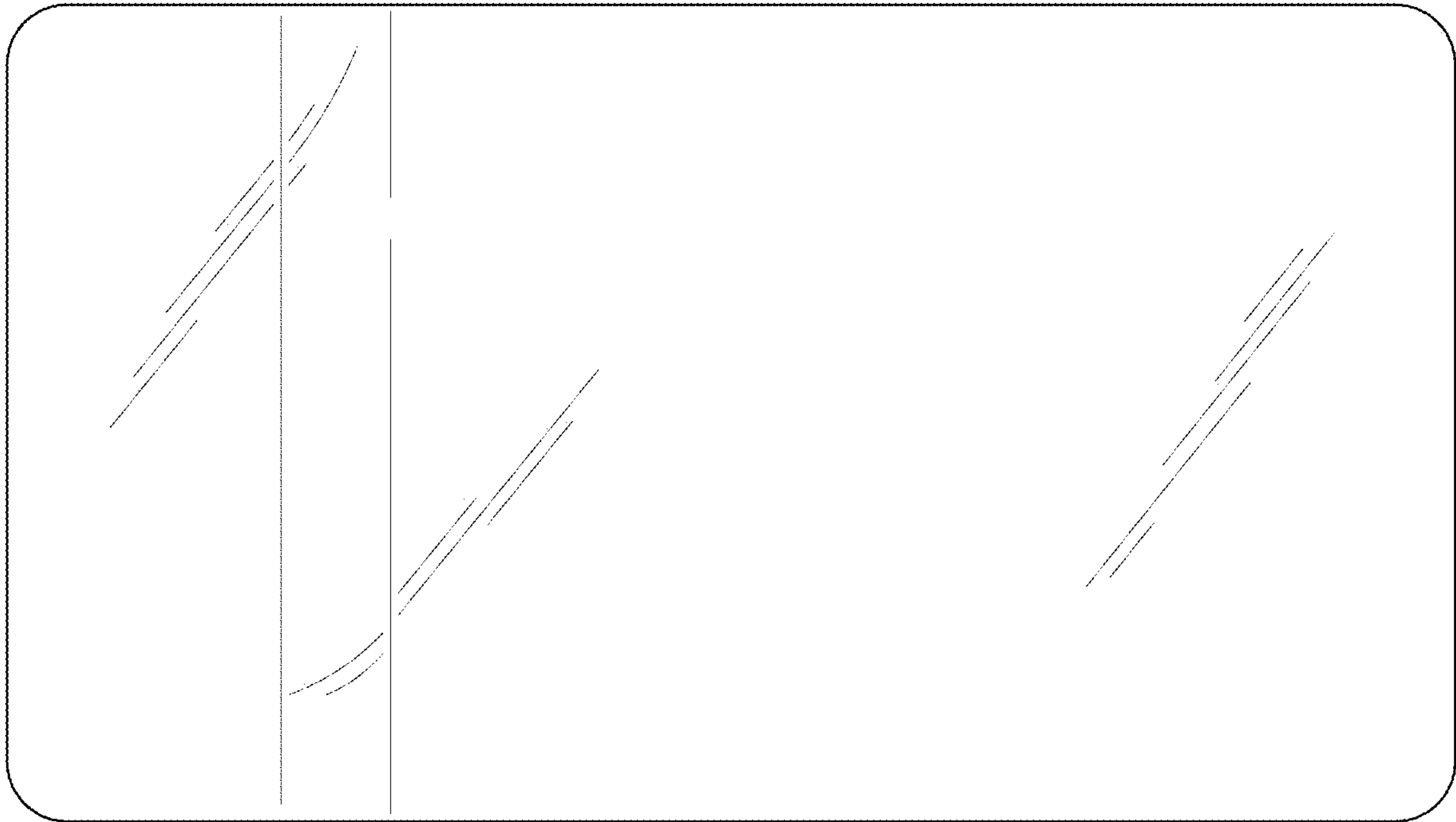


FIG. 2

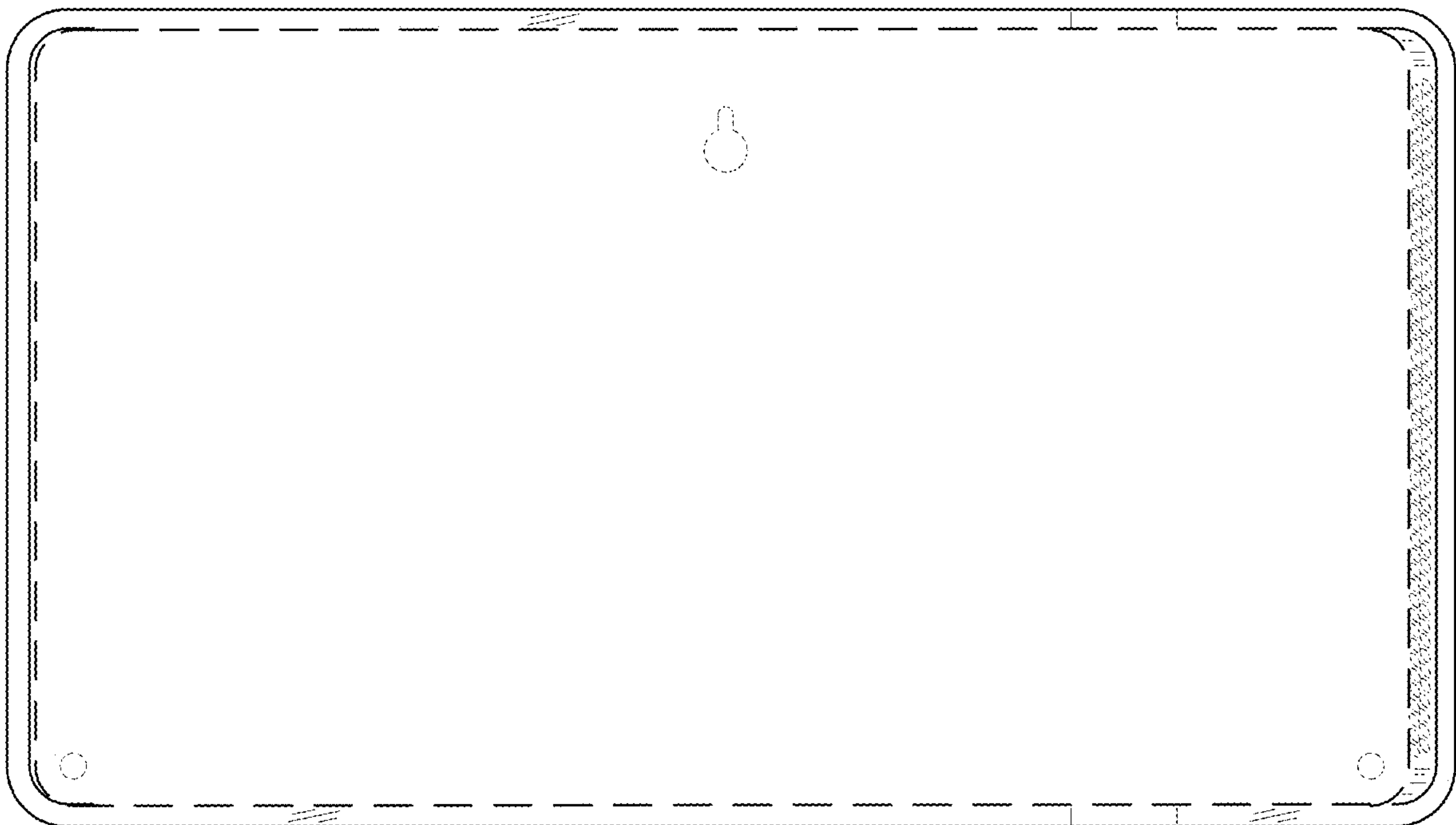


FIG. 3



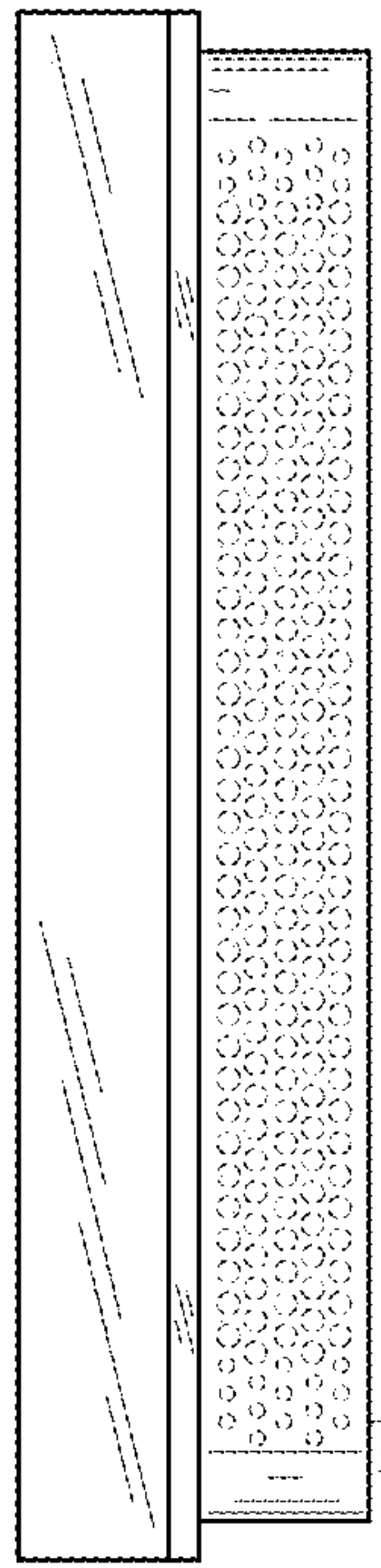


FIG. 4

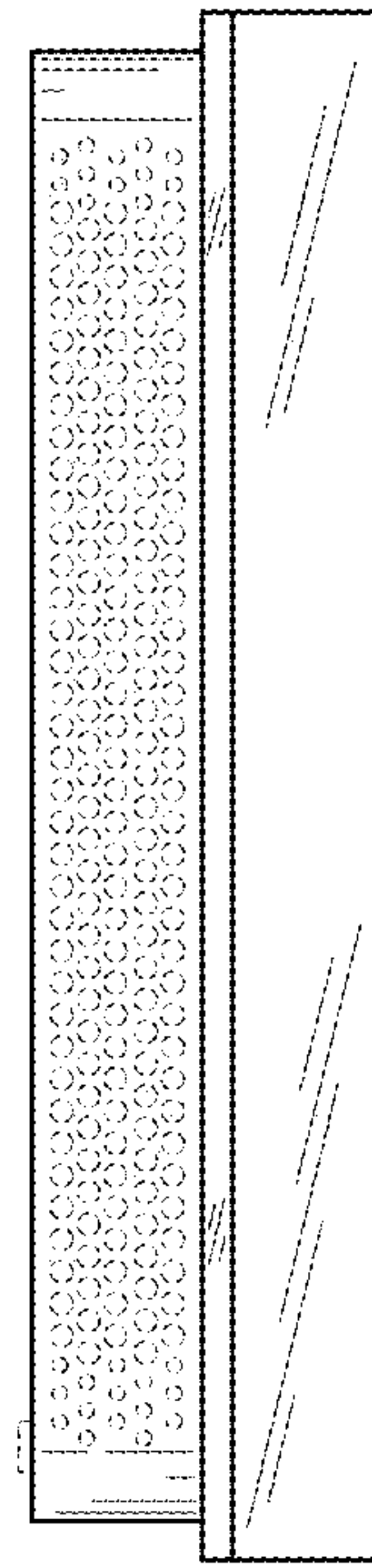


FIG. 5



FIG. 6

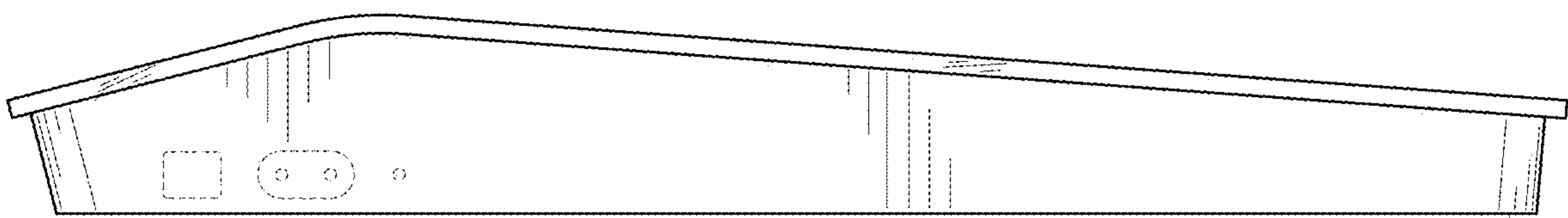


FIG. 7