



US00D937199S

(12) **United States Design Patent** (10) **Patent No.:** **US D937,199 S**
Gehrmann et al. (45) **Date of Patent:** **** Nov. 30, 2021**

(54) **CHARGING STATION**

(71) Applicant: **Siemens Aktiengesellschaft**, Munich (DE)

(72) Inventors: **Kai Gehrmann**, Lüneburg (DE); **Stephan Hühne**, Wilhermsdorf (DE); **Ulrich Schweig**, Hamburg (DE); **Kai Willenbrock**, Hamburg (DE)

(73) Assignee: **Siemens Aktiengesellschaft**, Munich (DE)

(**) Term: **15 Years**

(21) Appl. No.: **29/692,459**

(22) Filed: **May 24, 2019**

(30) **Foreign Application Priority Data**

Nov. 26, 2018 (EM) 005834694

(51) **LOC (13) Cl.** **13-02**

(52) **U.S. Cl.**
USPC **D13/107**

(58) **Field of Classification Search**
USPC D13/103, 107-110, 118-119, 184, 199;
D14/307
CPC H02J 7/02; H02J 7/14; H02J 7/1438; H02J
7/342; H02J 7/345; H02J 7/00; H02J
7/0026; H02J 7/027; H02J 7/0042; H02J
7/0044; H02J 7/0045; H02J 7/0013; H02J
7/0003; H02J 2310/00; H02J 2310/40;
H02J 2310/48

See application file for complete search history.

(56) **References Cited**

U.S. PATENT DOCUMENTS

D314,182 S * 1/1991 Moerman D13/152
D654,860 S * 2/2012 Holthusen D13/107

D659,090 S * 5/2012 deRoo D13/107
D659,635 S * 5/2012 Hou D13/107
D662,045 S * 6/2012 Gotou D13/107
D664,920 S * 8/2012 Huang D13/107
D669,026 S * 10/2012 Oda D13/107
D669,428 S * 10/2012 Li D13/107
D672,714 S * 12/2012 Brandys D13/107
D674,335 S * 1/2013 Yamashita D13/107
D676,376 S * 2/2013 Yamada D13/107
D683,306 S * 5/2013 Lecoanet D13/107
D683,307 S * 5/2013 Lecoanet D13/107
D683,308 S * 5/2013 Lecoanet D13/107
D683,697 S * 6/2013 Lecoanet D13/107
D709,827 S * 7/2014 Kang D13/107
D710,799 S * 8/2014 Chin-Ho Kim D13/107
D720,285 S * 12/2014 Gilomen D13/107
D729,157 S * 5/2015 Gilomen D13/107
D729,158 S * 5/2015 Gilomen D13/107
D748,052 S * 1/2016 Behar D13/107
D771,562 S * 11/2016 Dolle D13/107

(Continued)

Primary Examiner — Rosemary K Tarcza
(74) *Attorney, Agent, or Firm* — Henry M. Feiereisen
LLC

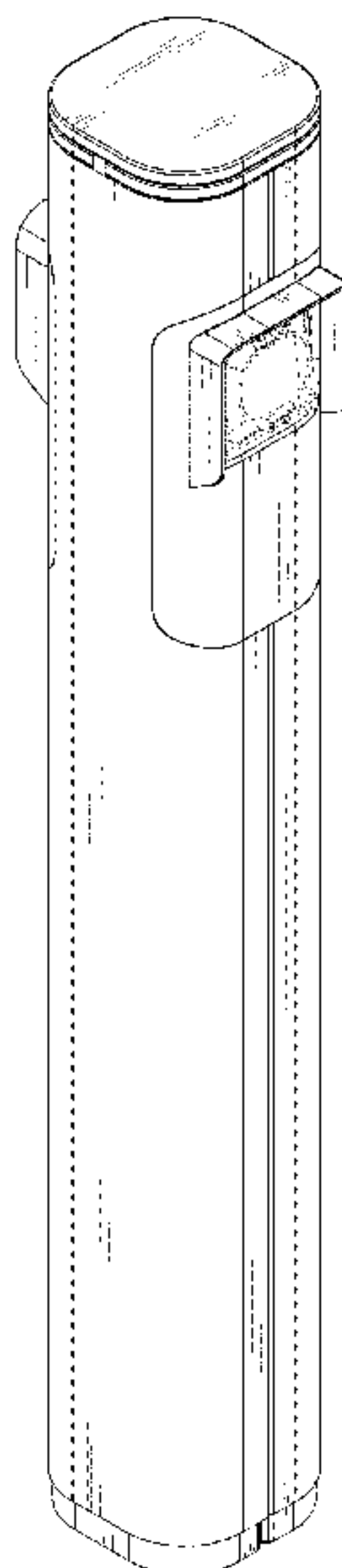
(57) **CLAIM**

The ornamental design for a charging station, as shown and described.

DESCRIPTION

FIG. 1 is a front view of a charging station, showing our new design;
FIG. 2 is a rear view thereof, which is a mirror image of the front view;
FIG. 3 is a top view thereof;
FIG. 4 is a bottom view thereof;
FIG. 5 is a right side view thereof;
FIG. 6 is a left side view thereof; and,
FIG. 7 is a top, front and right side perspective view thereof.
The broken lines in the drawings illustrate portions of the charging station that form no part of the claimed design.

1 Claim, 7 Drawing Sheets



(56)

References Cited

U.S. PATENT DOCUMENTS

D771,563 S * 11/2016 Dolle D13/107
D799,421 S * 10/2017 Hernandez D13/107
D800,652 S * 10/2017 Yang D13/107
D837,732 S * 1/2019 Derouineau D13/107
D858,435 S * 9/2019 Helnerus D13/107
2017/0349057 A1 * 12/2017 Namba B60R 16/03

* cited by examiner

FIG. 1

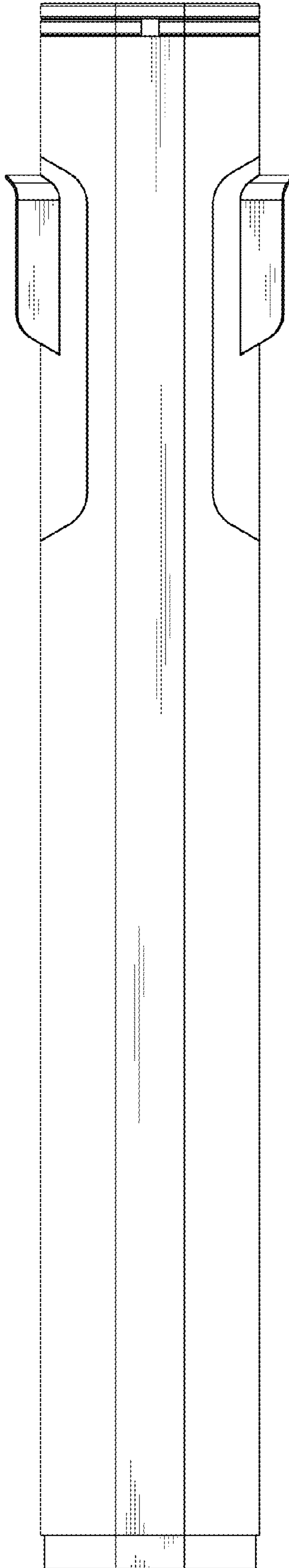


FIG. 2

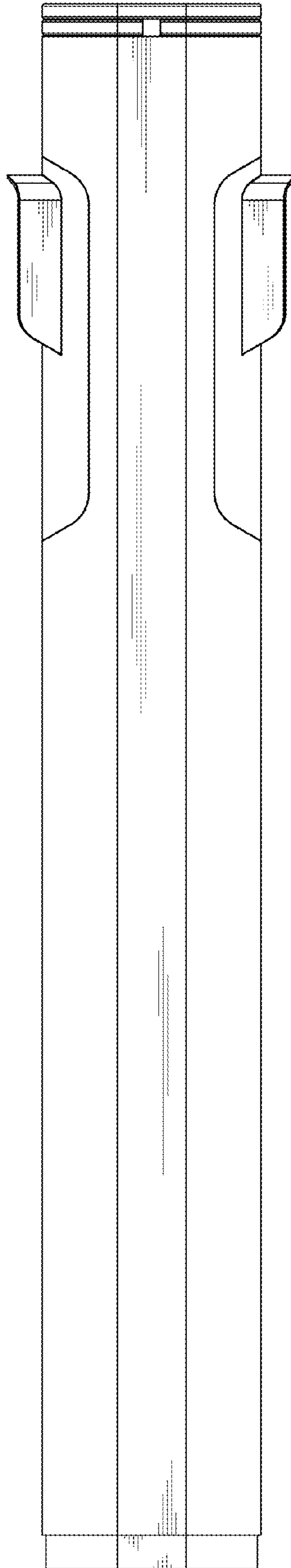


FIG. 3

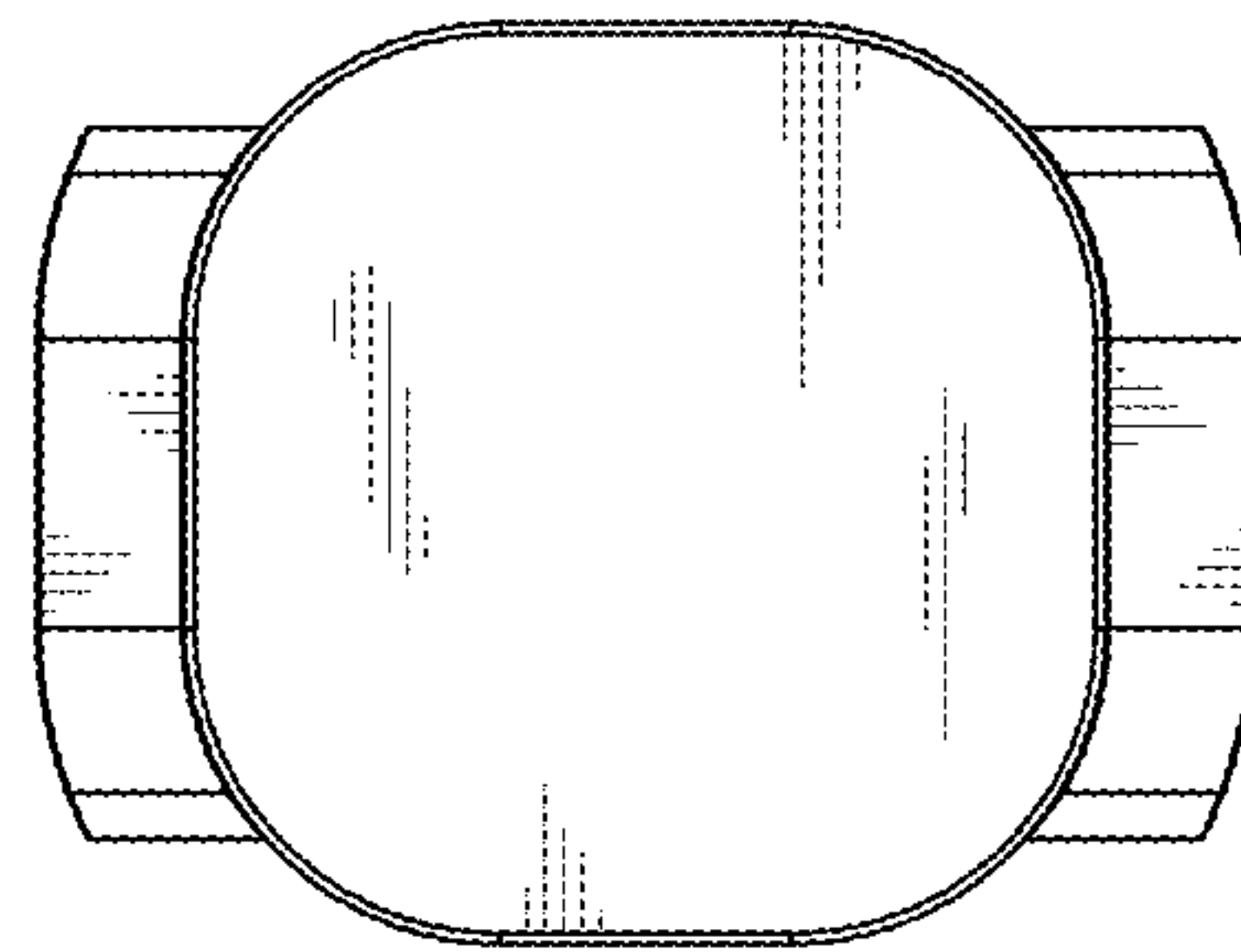


FIG. 4

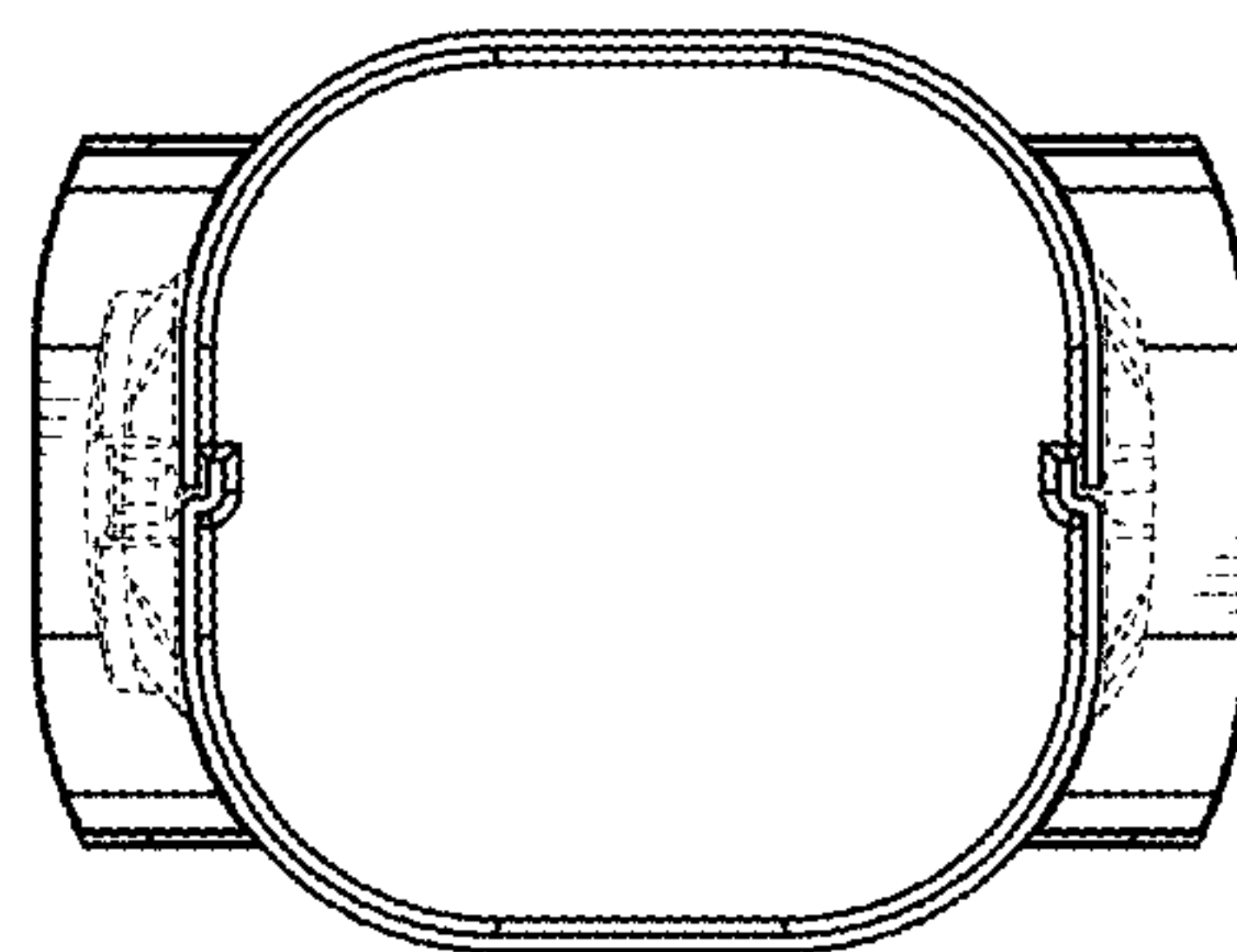


FIG. 5

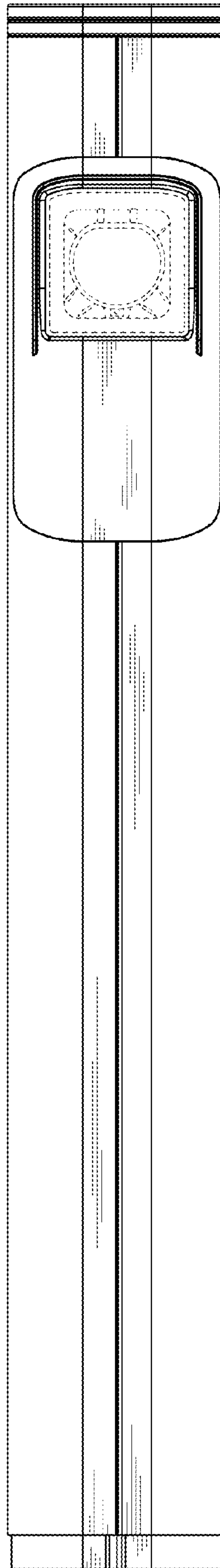


FIG. 6

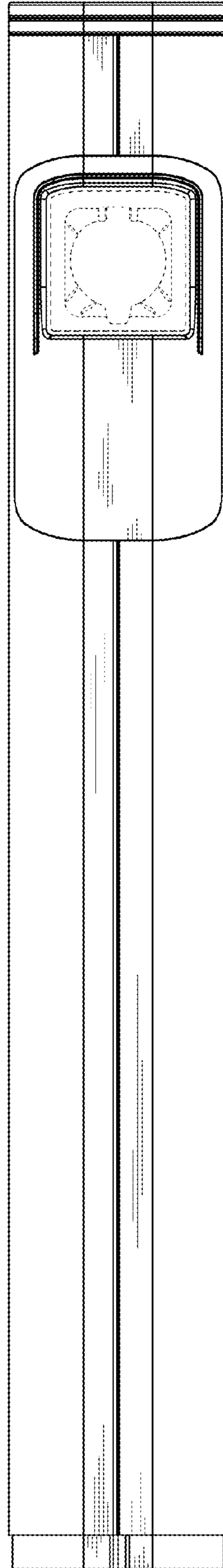


FIG. 7

