



US00D937198S

(12) **United States Design Patent**
Parcon et al.

(10) **Patent No.:** **US D937,198 S**

(45) **Date of Patent:** **** Nov. 30, 2021**

(54) **BATTERY**

(71) Applicant: **Critical Tattoo Supply, LLC**, Reno, NV (US)

(72) Inventors: **Jadeanne Parcon**, Eastvale, CA (US);
Billy Chen, Baldwin Park, CA (US)

(73) Assignee: **CRITICAL TATTOO SUPPLY, LLC**, Reno, NV (US)

(**) Term: **15 Years**

(21) Appl. No.: **29/736,884**

(22) Filed: **Jun. 3, 2020**

(51) **LOC (13) Cl.** **13-02**

(52) **U.S. Cl.**
USPC **D13/103**

(58) **Field of Classification Search**

USPC D13/102–106, 118, 199, 184
CPC Y02E 60/12; Y02E 60/122; Y02E 60/124;
Y02E 60/50; H01M 2/02; H01M 2/022;
H01M 2/0207; H01M 2/0212; H01M
2/1061; H01M 2/1022; H01M 2/1055;
H01M 2/1066; H01M 2/105; H01M
2/204; H01M 10/4257; H01M 10/0436;
H01M 10/48

See application file for complete search history.

(56) **References Cited**

U.S. PATENT DOCUMENTS

D291,798 S * 9/1987 Curiel D13/102
D591,232 S * 4/2009 Zhuang D13/103

D737,972 S * 9/2015 Chen A61M 37/0076
D24/146
D739,019 S * 9/2015 Chen D24/147
D861,622 S * 10/2019 Lawrence D13/184
D897,946 S * 10/2020 Liu D13/103
D909,964 S * 2/2021 Sun D13/108
2020/0306519 A1 * 10/2020 Smead H02J 7/0045

* cited by examiner

Primary Examiner — Christy Nemeth

(74) *Attorney, Agent, or Firm* — Kevin Schraven; Anooj Patel; HankinPatent Law, APC

(57) **CLAIM**

The ornamental design for a battery, as shown and described.

DESCRIPTION

FIG. 1 is a top perspective view of a battery, showing our new design.

FIG. 2 is a bottom perspective view thereof.

FIG. 3 is a rear elevational view thereof.

FIG. 4 is a front elevational view thereof.

FIG. 5 is right-side elevational view thereof.

FIG. 6 is a left-side elevational view thereof.

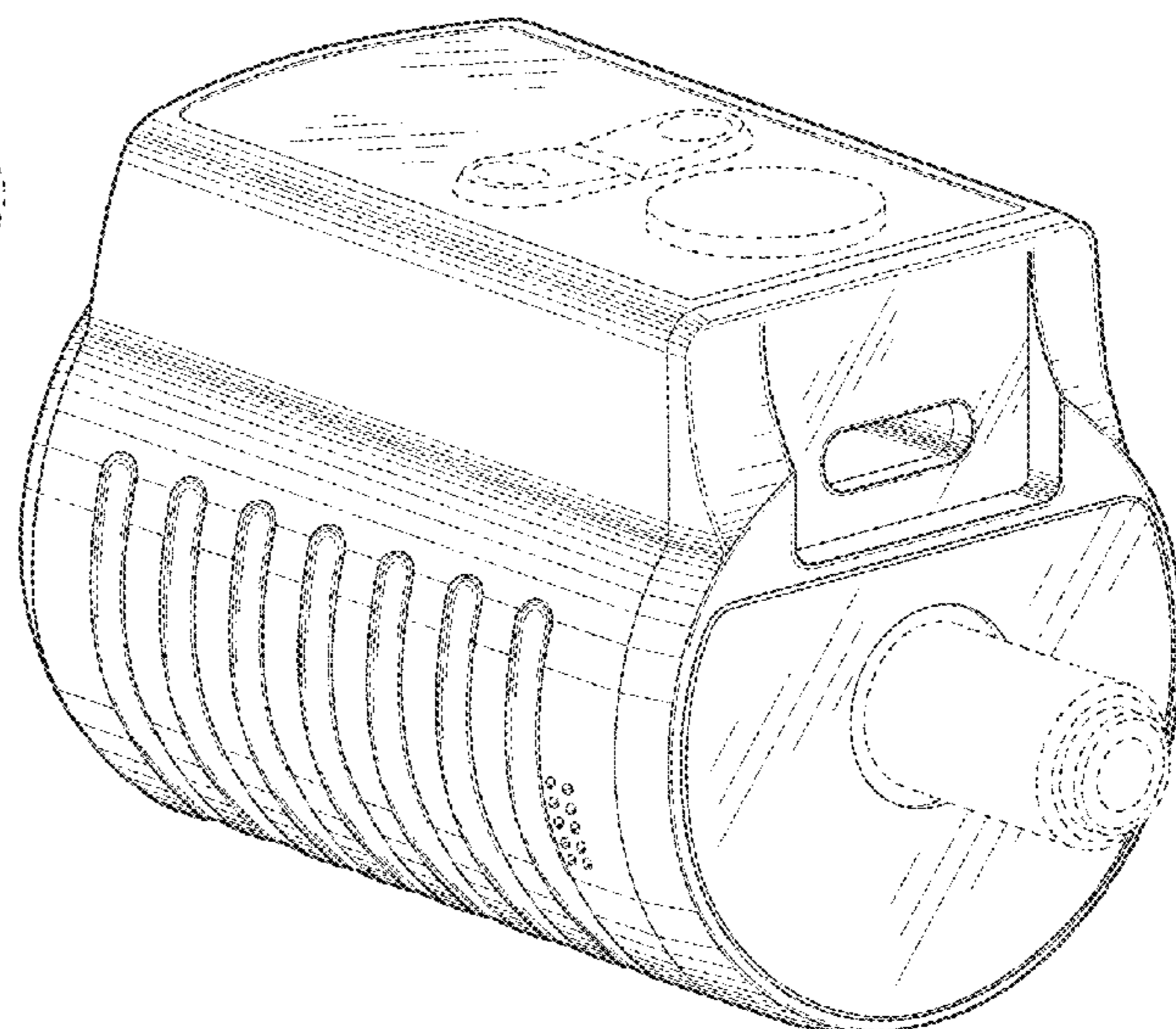
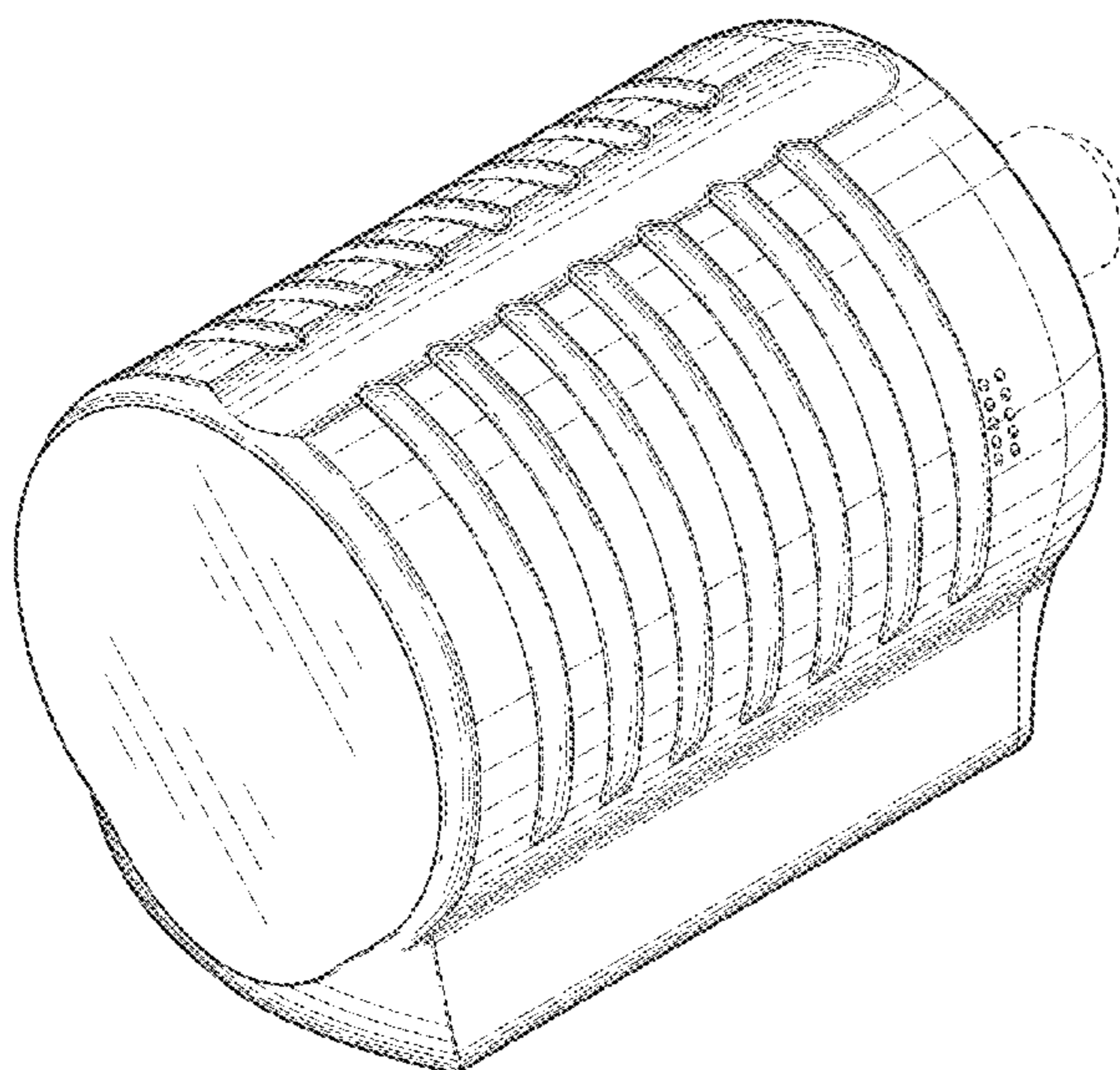
FIG. 7 is a top plan view thereof.

FIG. 8 is a bottom plan view thereof; and,

FIG. 9 is a bottom perspective view of a battery, showing a second connector type in broken lines.

The broken lines showing connectors and controls are for the purpose of illustrating unclaimed subject matter and form no part of the claimed design.

1 Claim, 9 Drawing Sheets



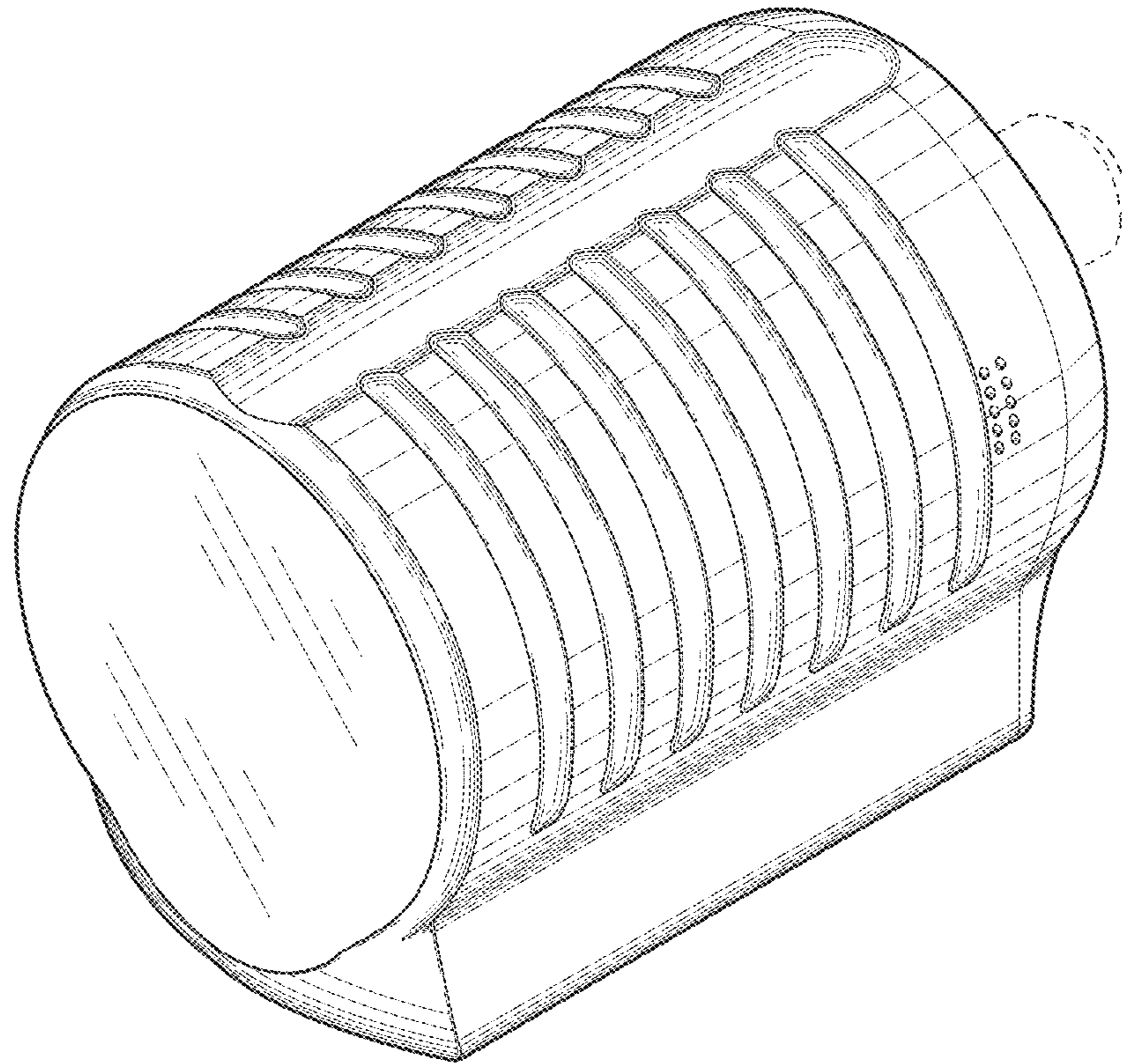


Fig. 1

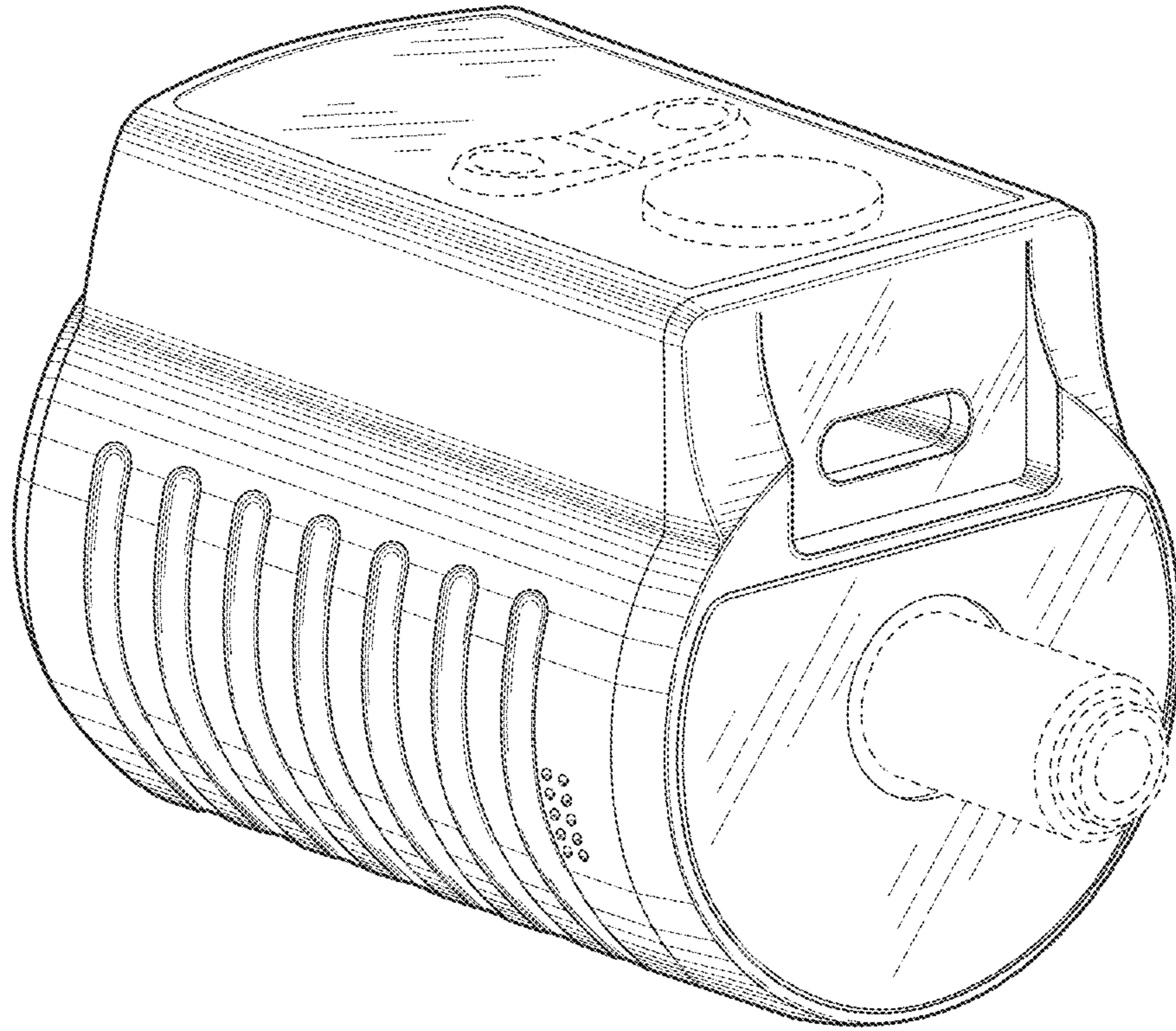


Fig.2

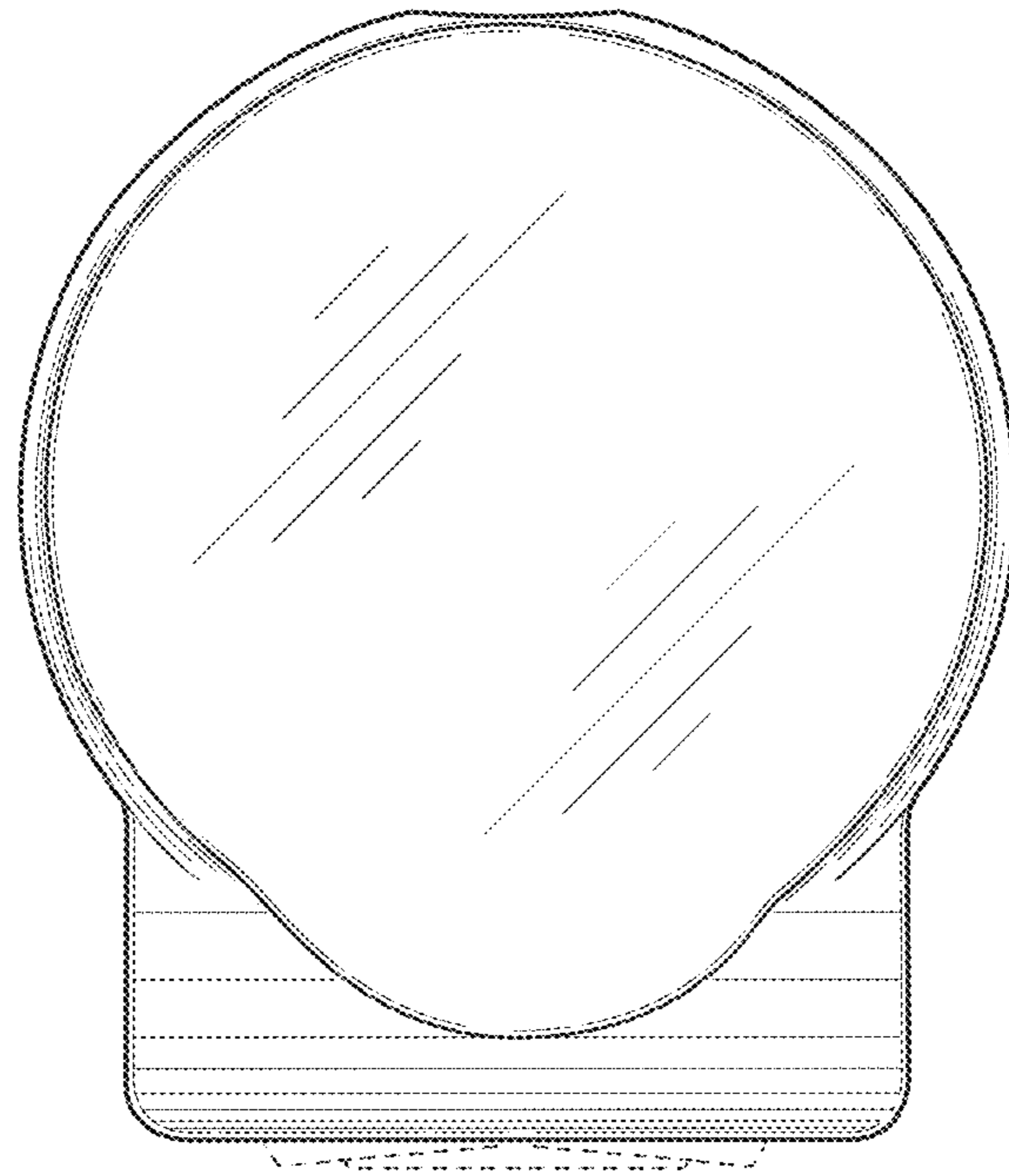


Fig.3

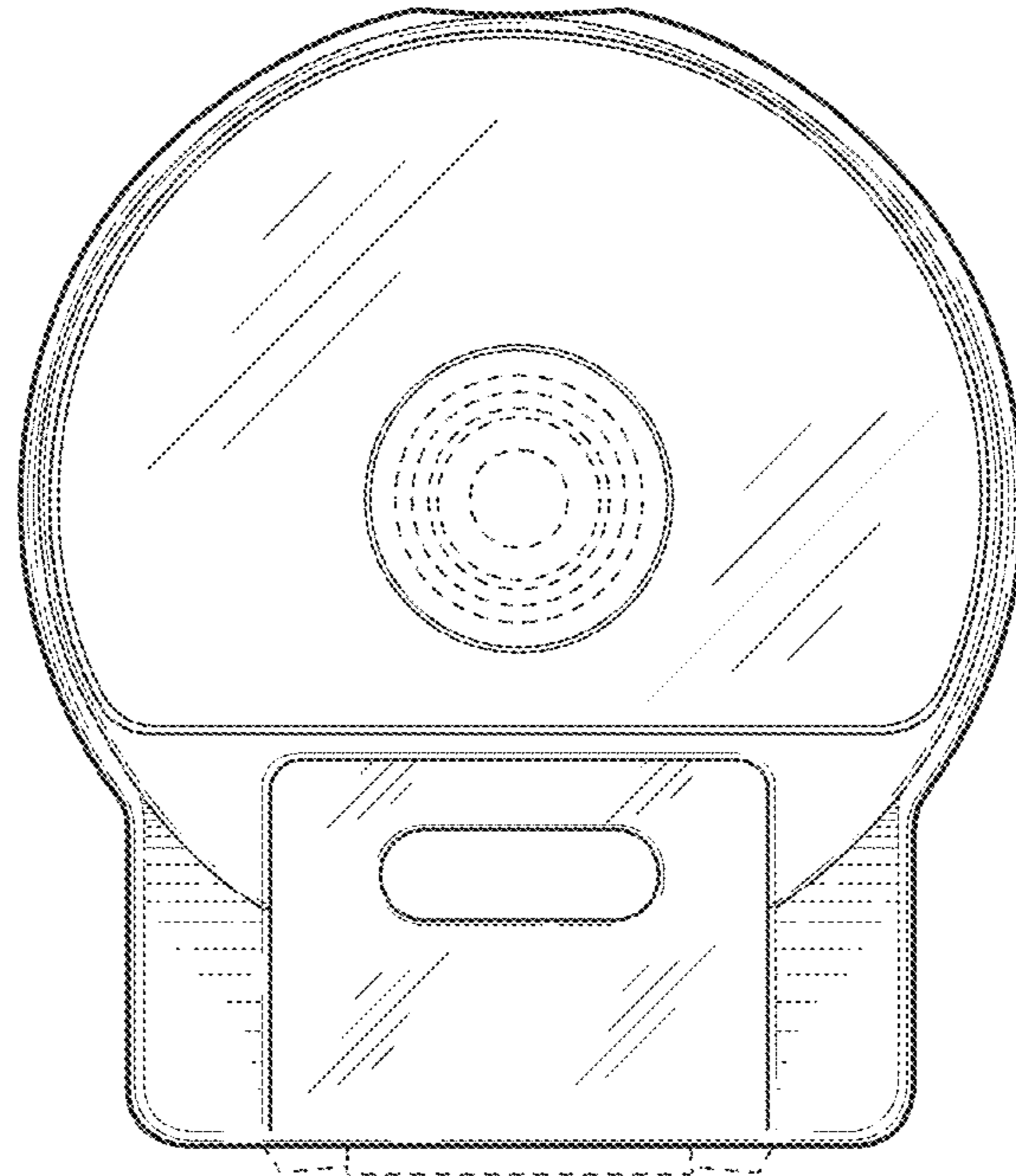


Fig.4

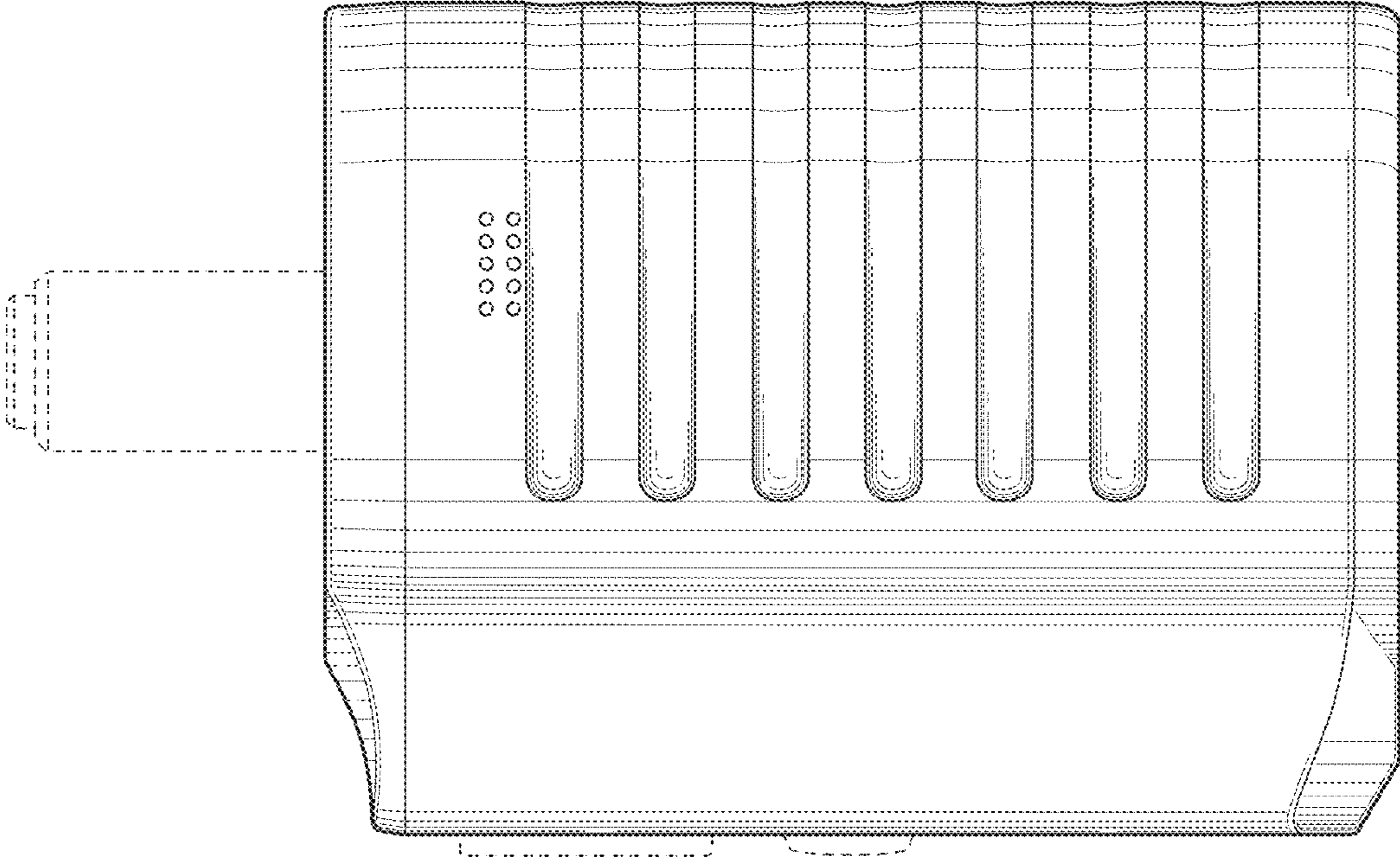


Fig.5

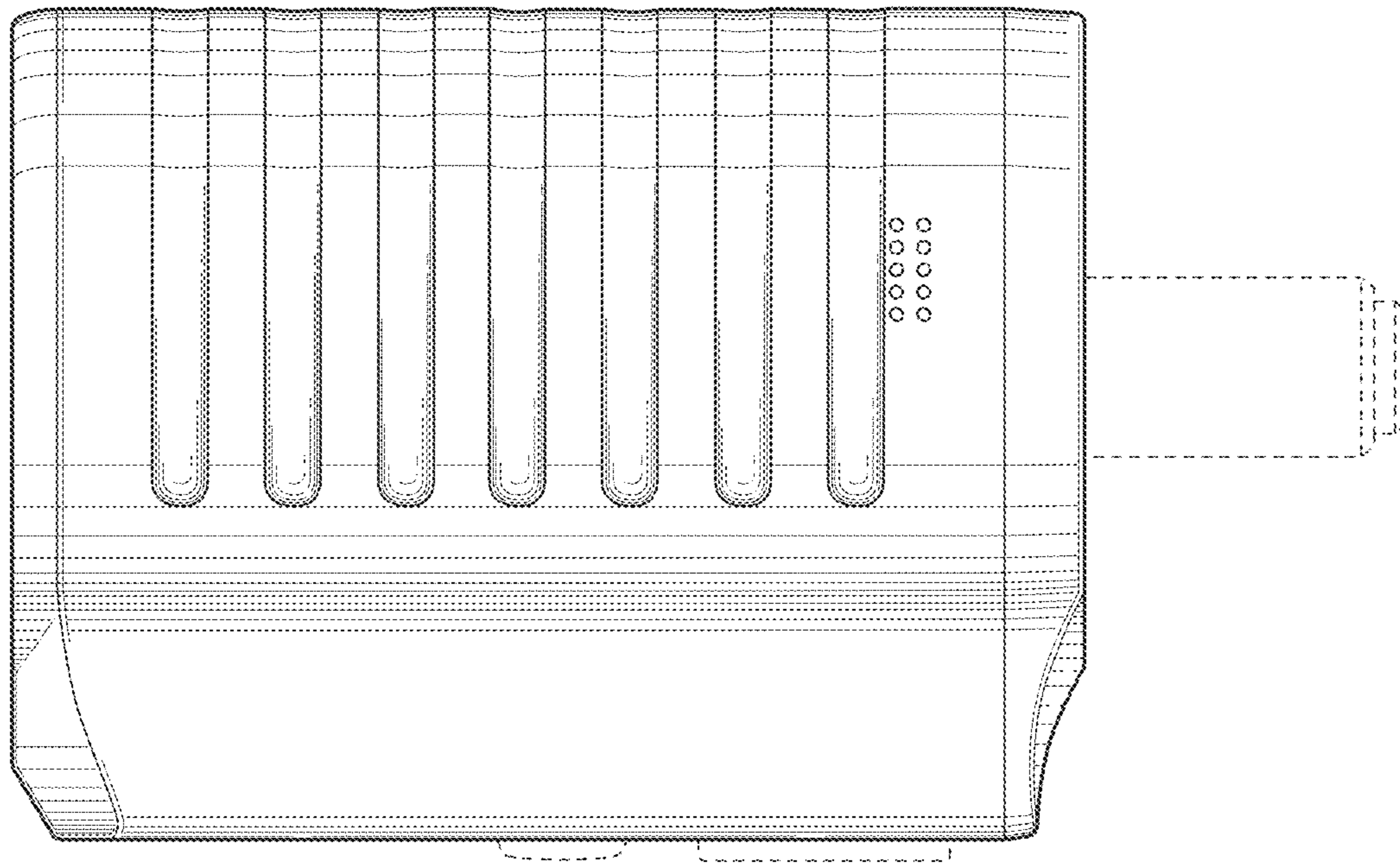


Fig.6

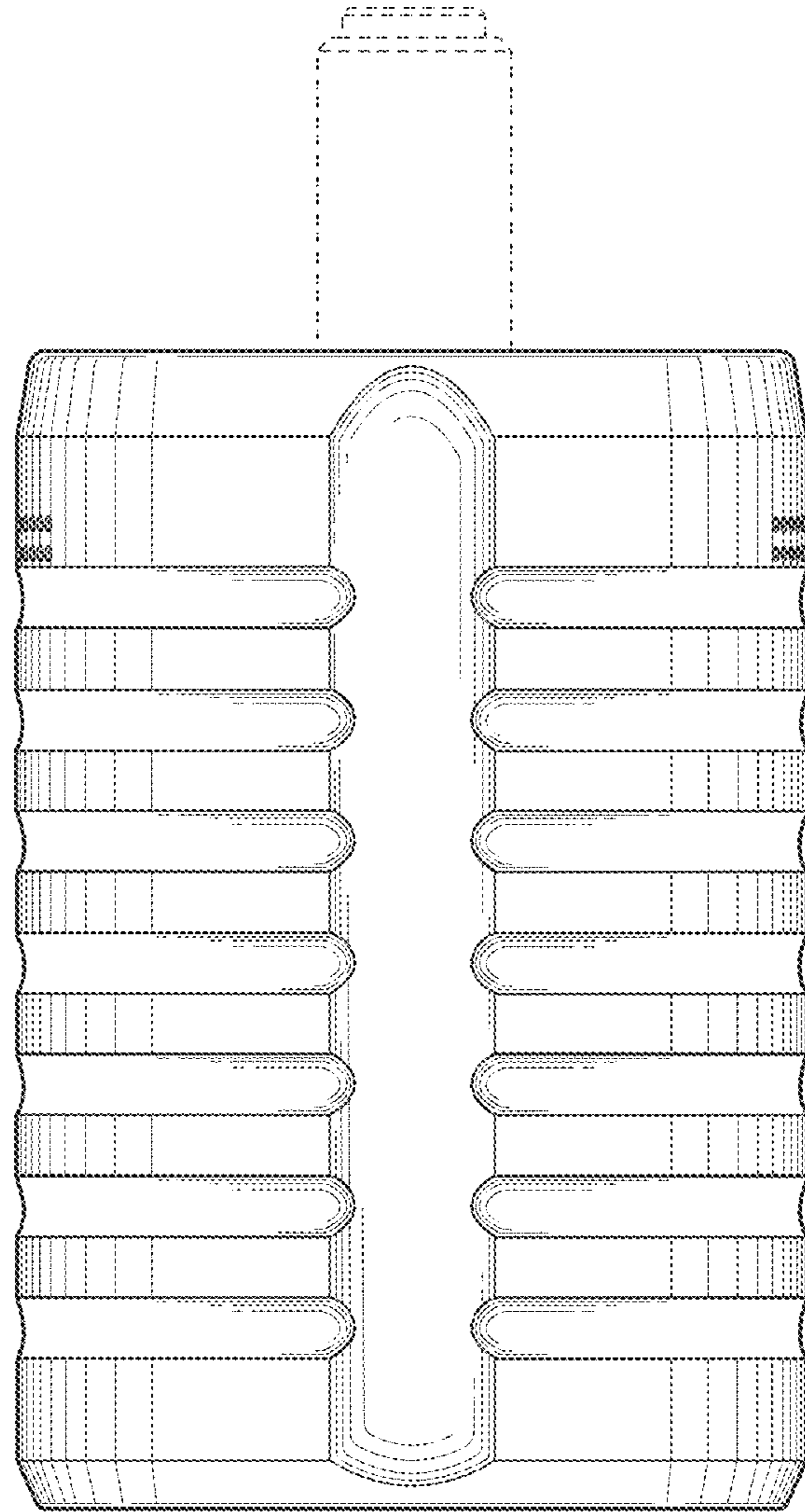


Fig. 7

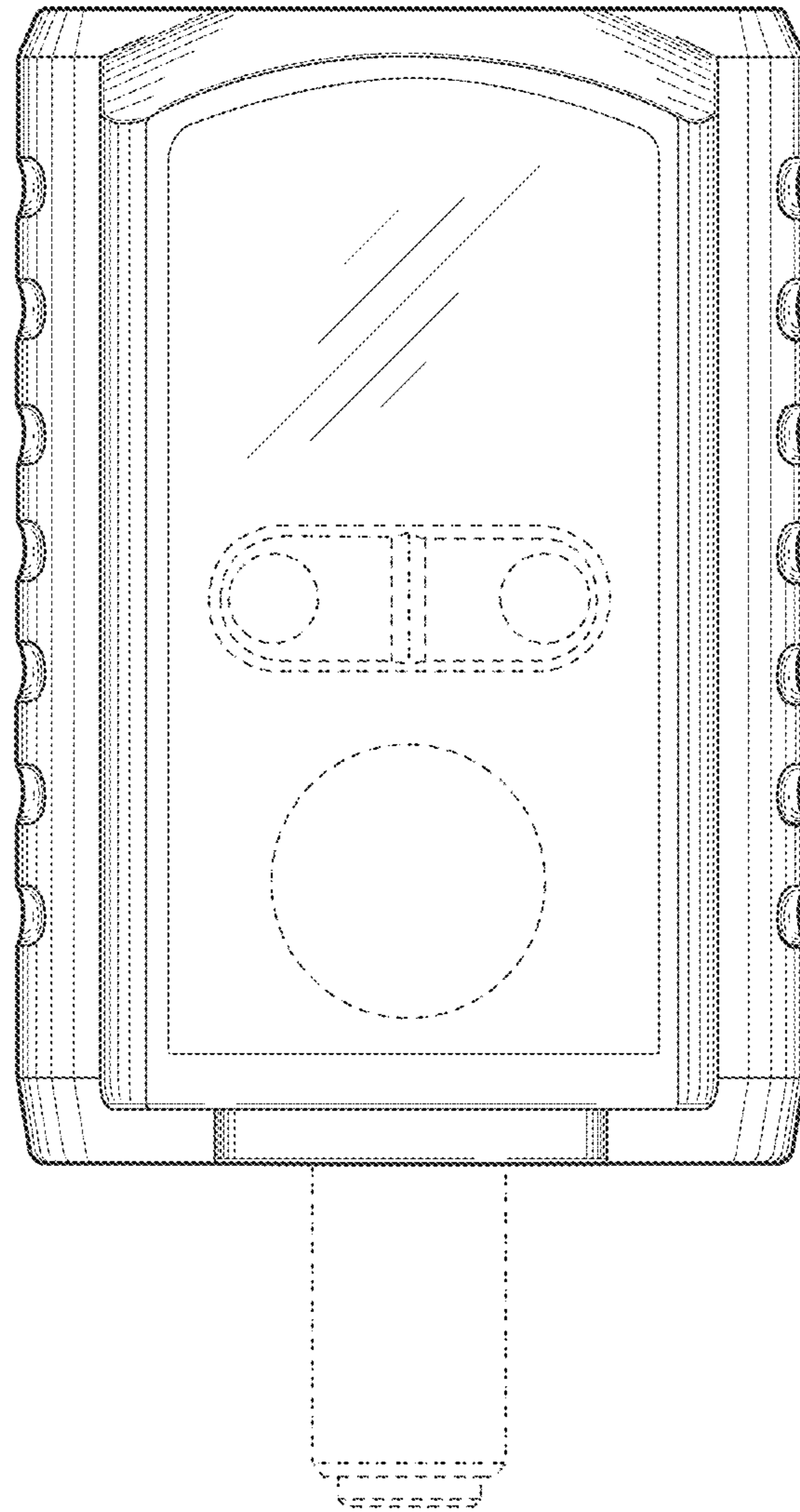


Fig. 8

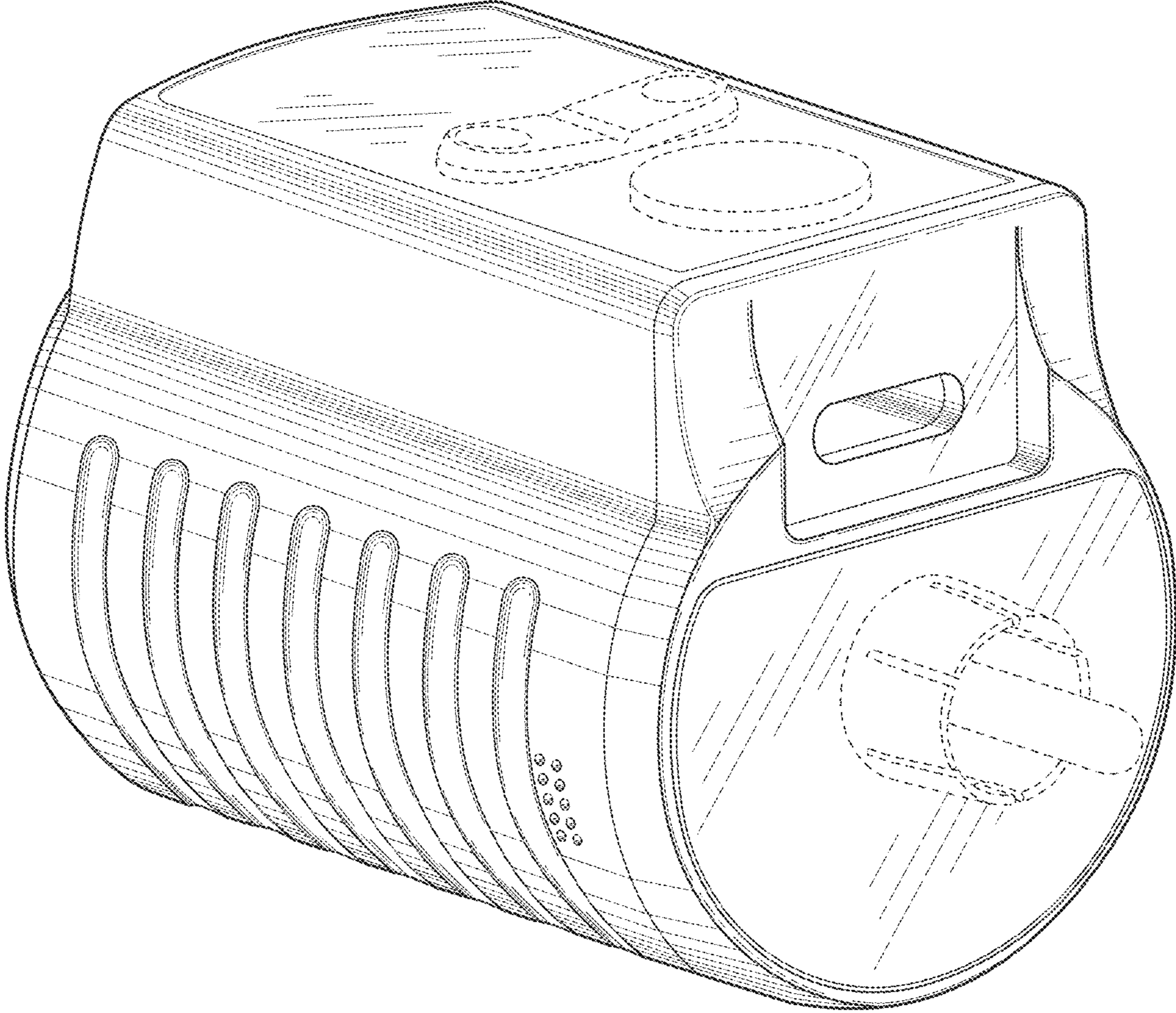


Fig. 9