

US00D937196S

(12) **United States Design Patent**
Wang et al.

(10) **Patent No.:** **US D937,196 S**
(45) **Date of Patent:** **** Nov. 30, 2021**

(54) **BATTERY PACK**

(71) Applicant: **HangZhou YuShu TECHNOLOGY CO., LTD.,** Zhejiang (CN)

(72) Inventors: **Xingxing Wang,** Zhejiang (CN); **Zhiyu Yang,** Zhejiang (CN)

(**) Term: **15 Years**

(21) Appl. No.: **29/719,499**

(22) Filed: **Jan. 6, 2020**

(30) **Foreign Application Priority Data**

May 6, 2019 (CN) 201930215126.4

(51) **LOC (13) Cl.** **13-02**

(52) **U.S. Cl.**
USPC **D13/103**

(58) **Field of Classification Search**
USPC D13/102, 103, 104, 105, 106, 107, 108, D13/110, 118, 119, 184, 199; D3/273, D3/274, 302, 201, 264
CPC Y02E 60/12; Y02E 60/122; Y02E 60/124; Y02E 60/50; H01M 10/4257; H01M 10/0436; H01M 10/48; H01M 2/02; H01M 2/022; H01M 2/0202; H01M 2/0207; H01M 2/0212; H01M 2/1061; H01M 2/1022; H01M 2/1055; H01M 2/1066; H01M 2/105; H01M 2/204; H01M 2/04; H01M 2/0404; H01M 2/0406; H01M 2/0465; H01M 2/06
See application file for complete search history.

(56) **References Cited**

U.S. PATENT DOCUMENTS

D646,239 S * 10/2011 Chandler, Jr. D13/184
D655,240 S * 3/2012 Hsu D13/102
D730,280 S * 5/2015 Koebler D13/107

D811,741 S * 3/2018 Damberg D3/273
D835,573 S * 12/2018 Chen D13/103
D858,433 S * 9/2019 Gan D13/103
D864,857 S * 10/2019 Clark D13/108
2012/0121966 A1* 5/2012 Kim H01M 50/543
429/158
2015/0111091 A1* 4/2015 Lee H01M 4/66
429/163
2015/0295401 A1* 10/2015 Ge H01M 16/006
307/31
2018/0261387 A1* 9/2018 Kuboki H01G 2/04

FOREIGN PATENT DOCUMENTS

CN 304292688 * 9/2017
CN 305178825 * 5/2019
CN 305296473 * 8/2019
EM 007181664-0001 * 11/2019
EM 007465653-0001 * 2/2020
GB 9007465653-0001 * 12/2019

* cited by examiner

Primary Examiner — Rosemary K Tarcza
Assistant Examiner — Seth David Kumpf

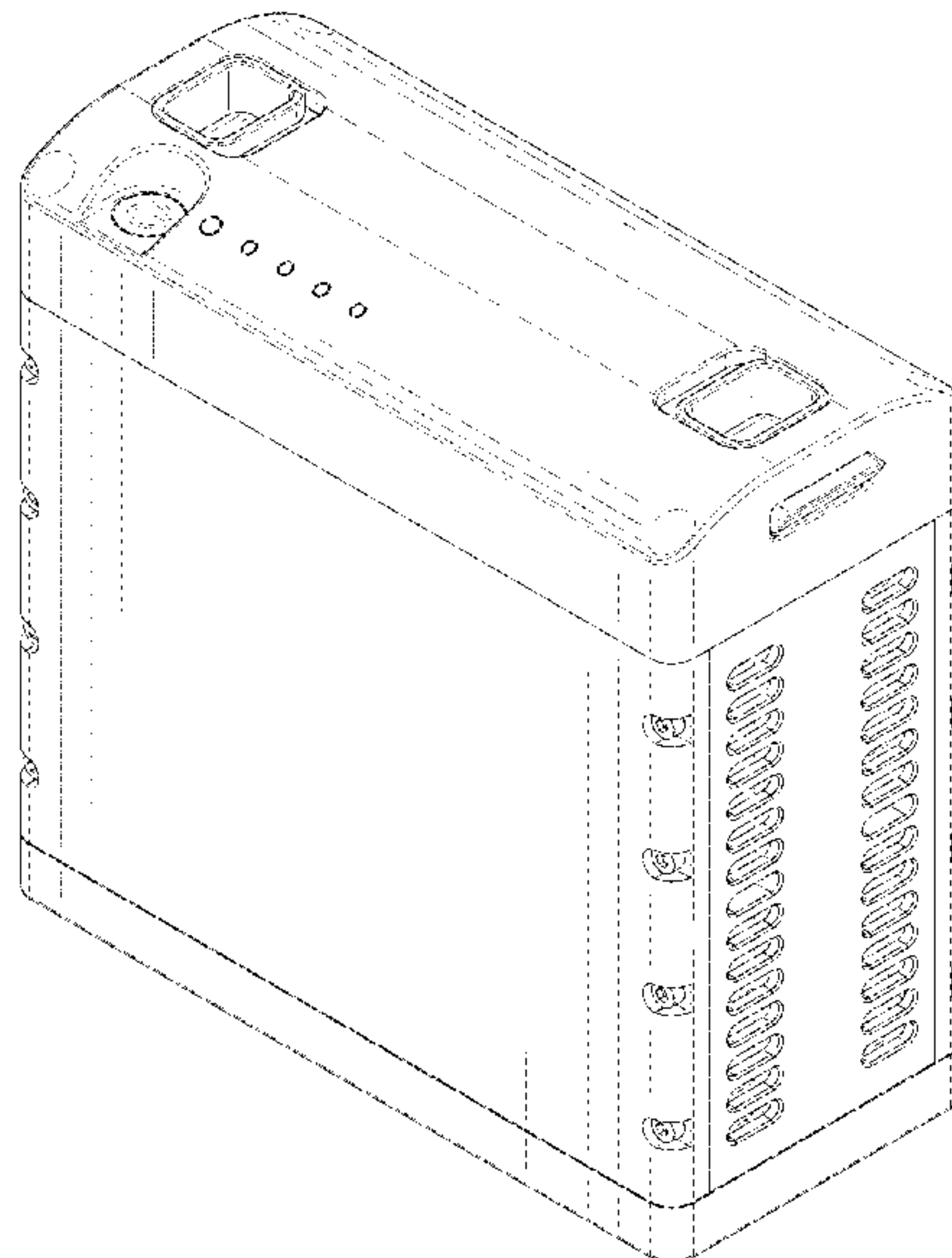
(57) **CLAIM**

The ornamental design for a battery pack, as shown and described.

DESCRIPTION

FIG. 1 is a front and top perspective view of a battery pack, showing our new design;
FIG. 2 is a rear and bottom perspective view thereof;
FIG. 3 is a front elevational view thereof;
FIG. 4 is a rear elevational view thereof;
FIG. 5 is a left side elevational view thereof;
FIG. 6 is a right side elevational view thereof;
FIG. 7 is a top plan view thereof; and,
FIG. 8 is a bottom plan view thereof.
The broken lines in the figures illustrate portions of the battery pack that form no part of the claimed design.

1 Claim, 8 Drawing Sheets



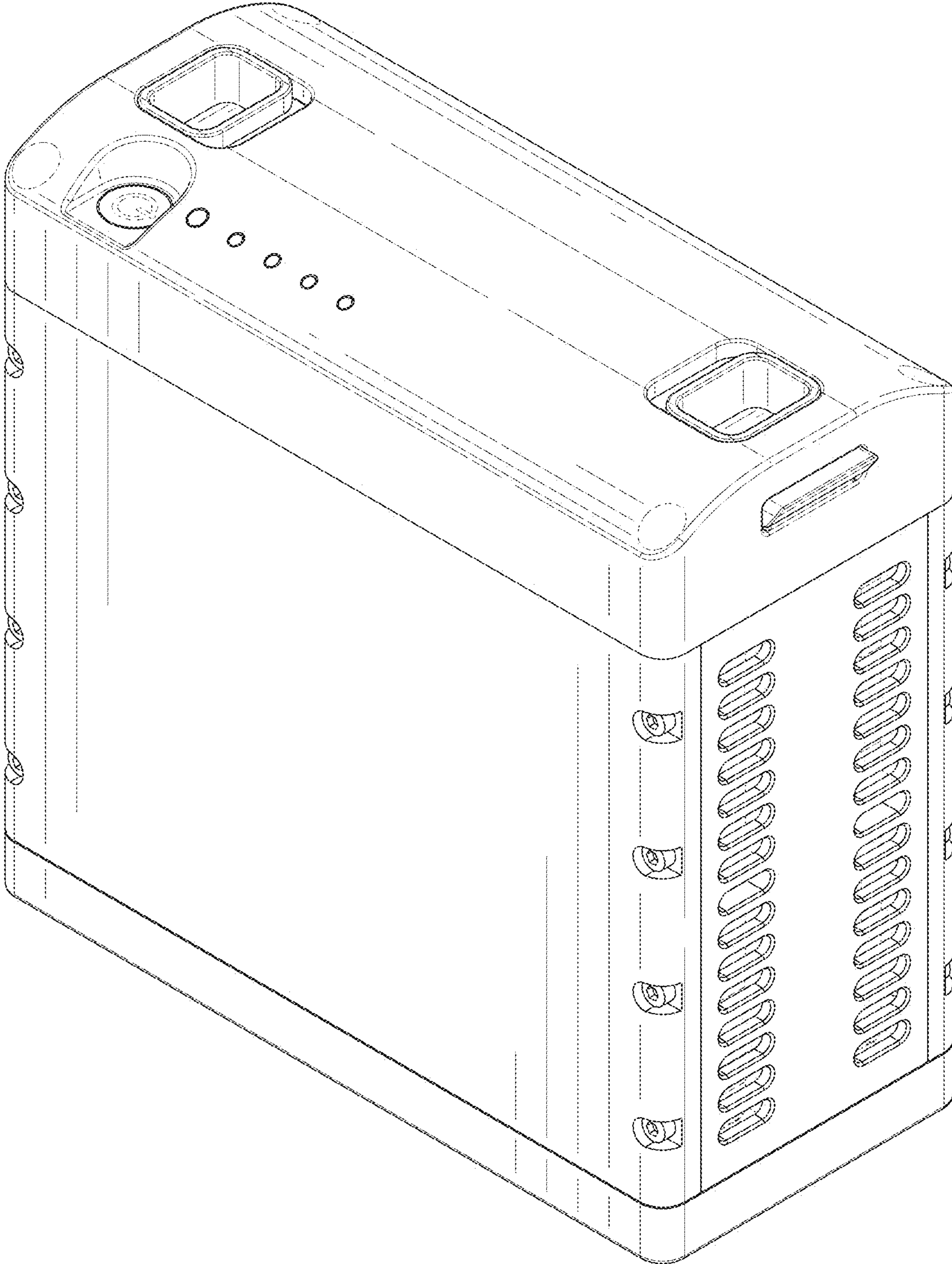


FIG. 1

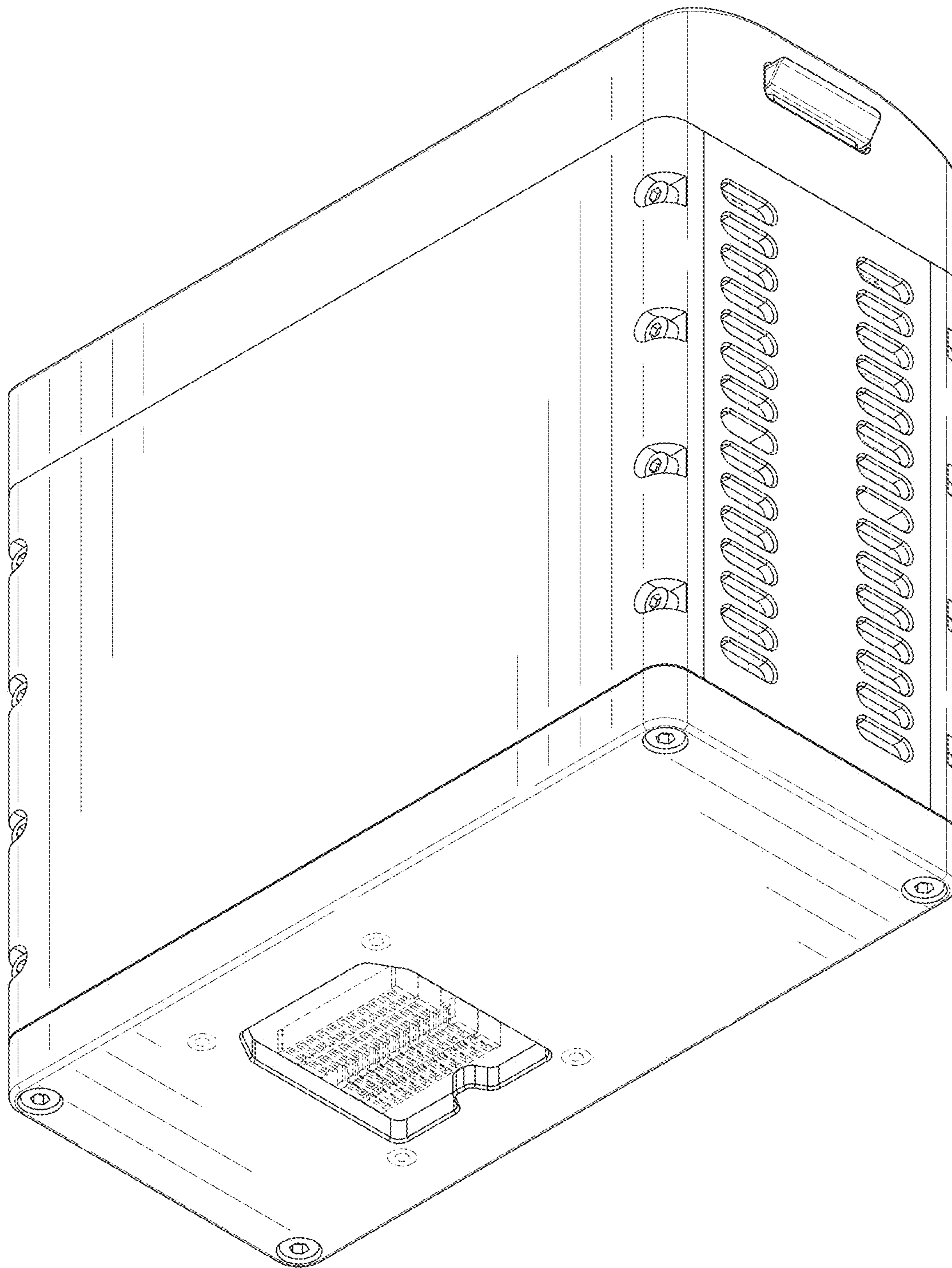


FIG. 2

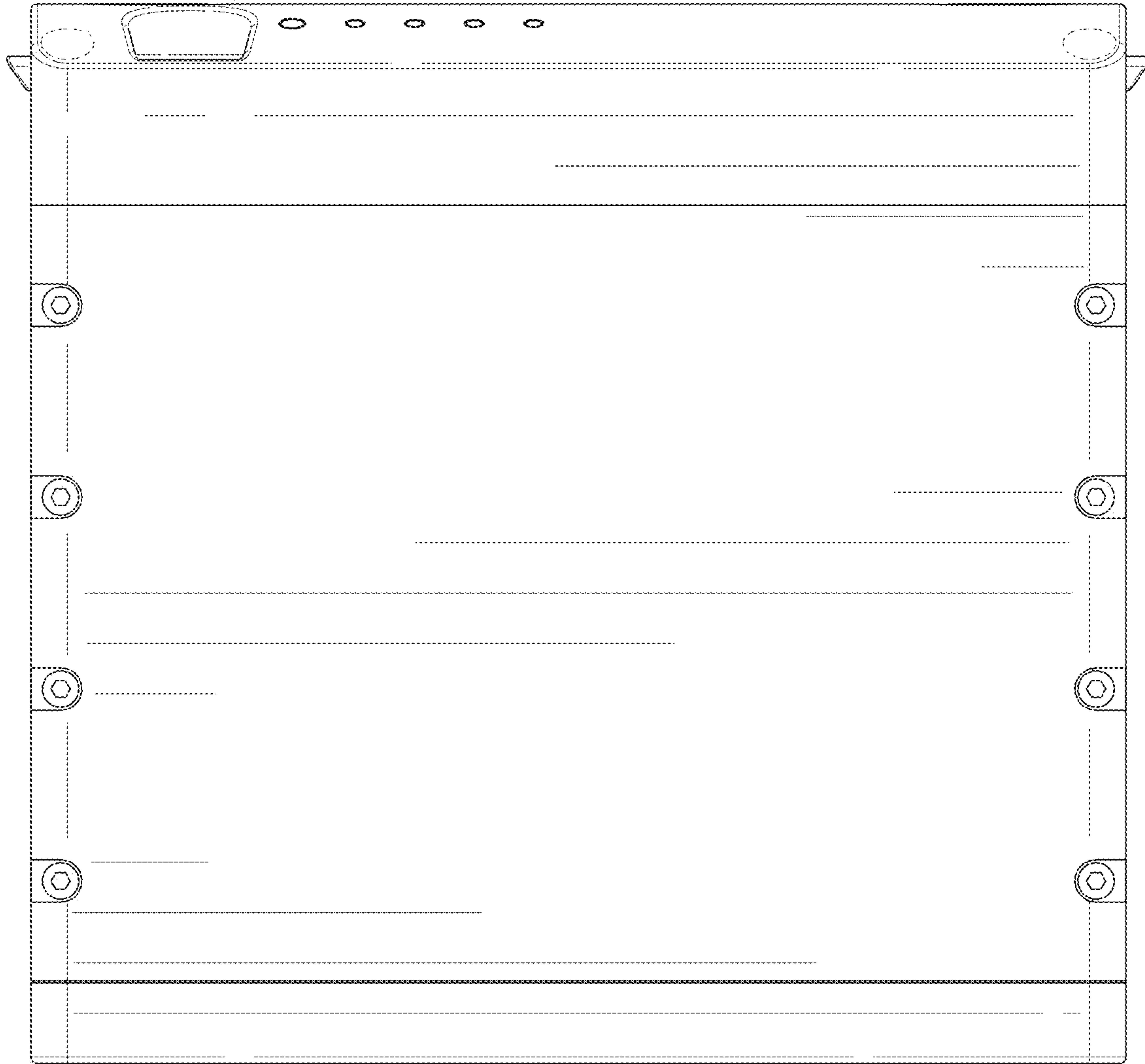


FIG. 3

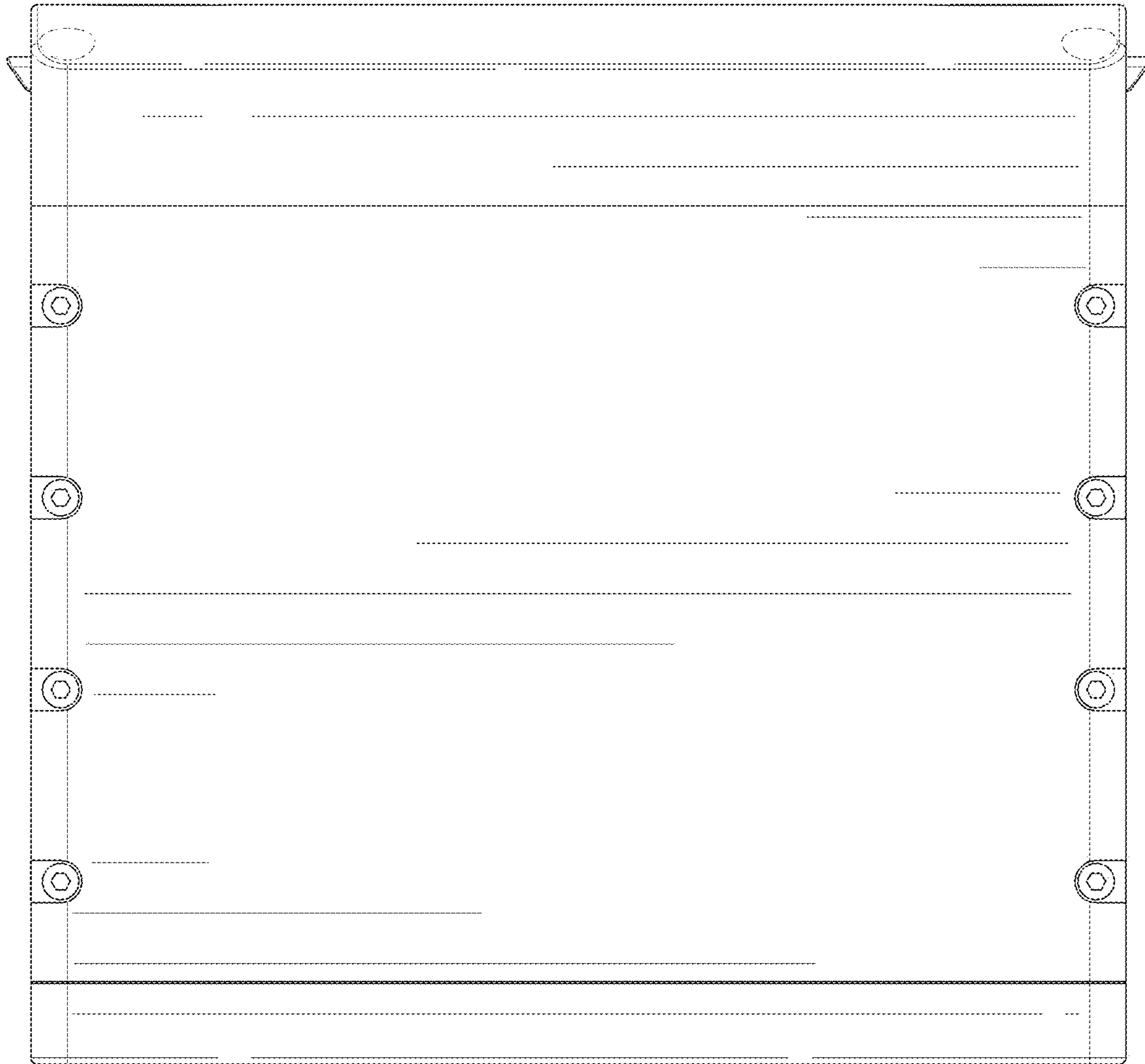


FIG. 4

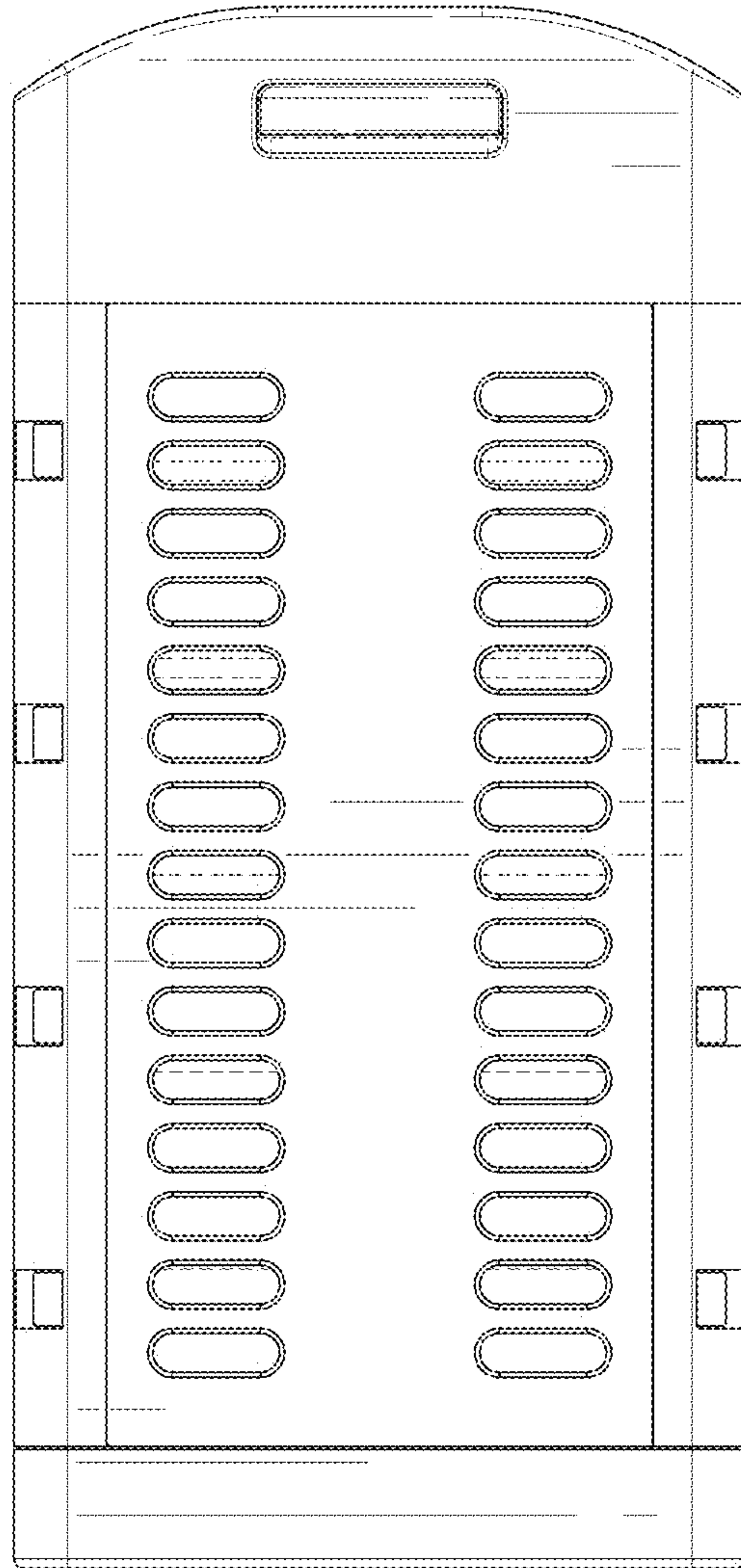


FIG. 5

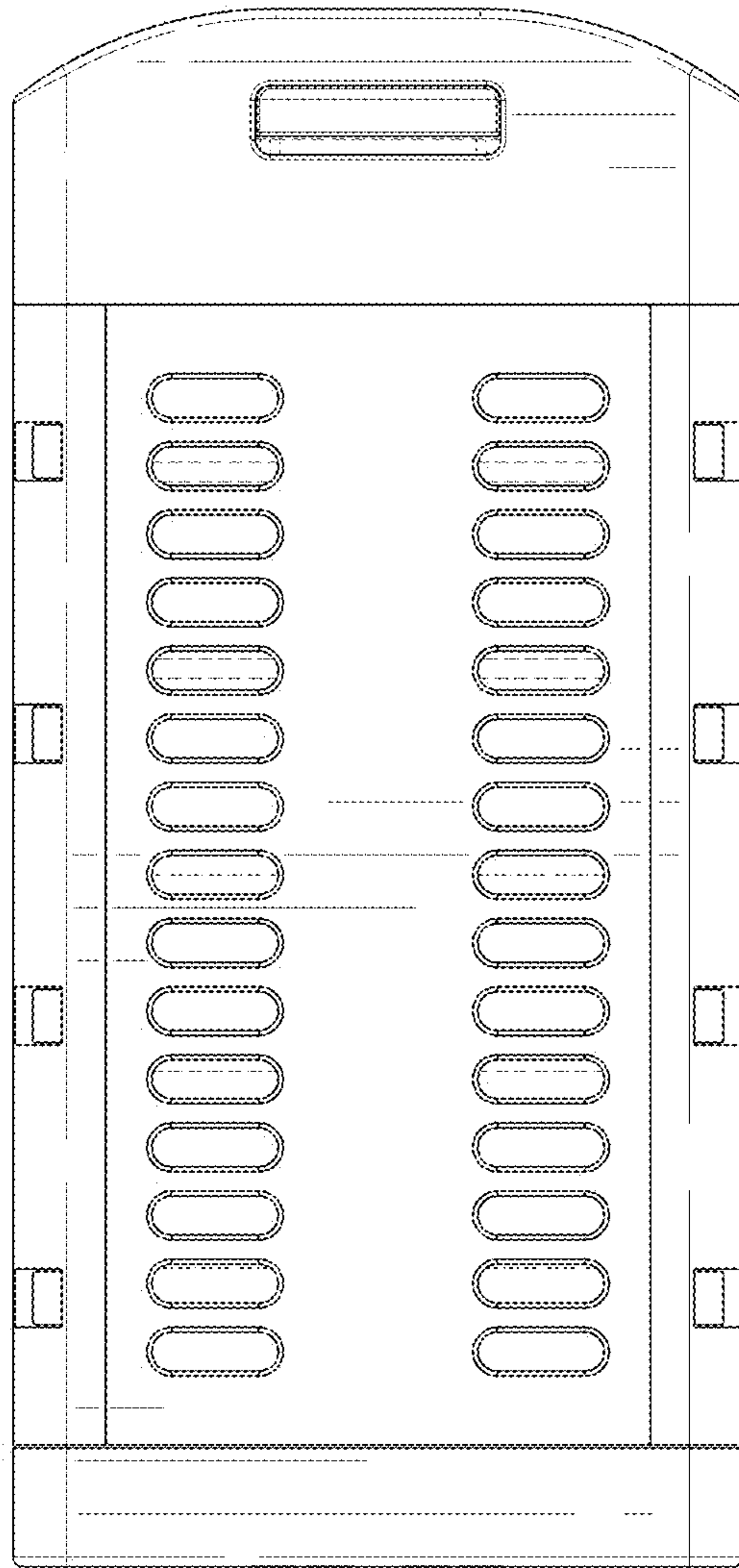


FIG. 6

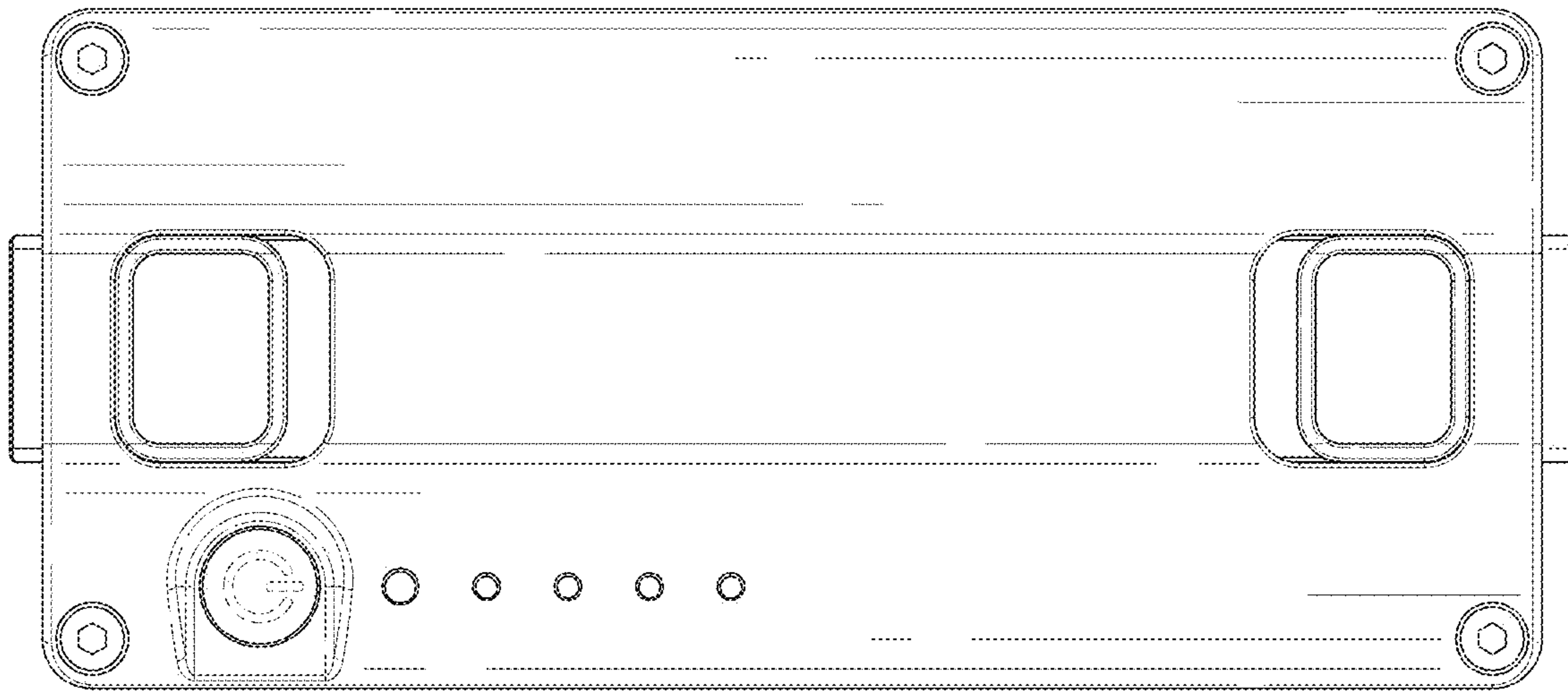


FIG. 7

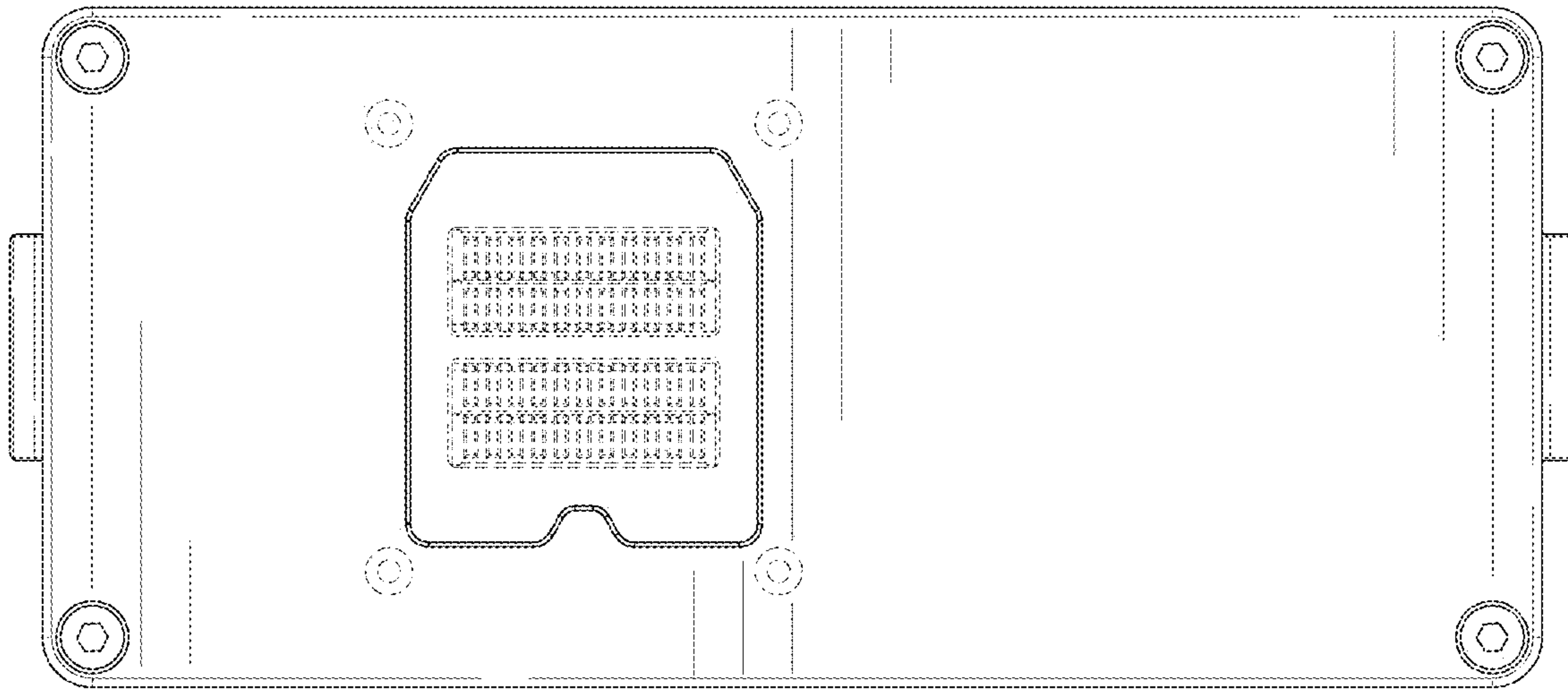


FIG. 8