

US00D937194S

(12) **United States Design Patent** (10) **Patent No.:** **US D937,194 S**
Baker et al. (45) **Date of Patent:** **** Nov. 30, 2021**

(54) **BATTERY**

(71) Applicant: **DURACELL U.S. OPERATIONS, INC.**, Wilmington, DE (US)

(72) Inventors: **Kathleen Ann Baker**, Bethel, CT (US);
Tatiana Jouanneau, Bethel, CT (US);
Natalie Denny, Chicago, IL (US);
Michael Laforteza, Pleasantville, NY (US);
Paul Laforteza, Pleasantville, NY (US);
Cliff Fischer, Pleasantville, NY (US)

(73) Assignee: **DURACELL U.S. OPERATIONS, INC.**, Wilmington, DE (US)

(**) Term: **15 Years**

(21) Appl. No.: **29/673,553**

(22) Filed: **Dec. 14, 2018**

(51) **LOC (13) Cl.** **13-02**

(52) **U.S. Cl.**
USPC **D13/103**

(58) **Field of Classification Search**
USPC D13/102–110, 118–119, 184

(Continued)

(56) **References Cited**

U.S. PATENT DOCUMENTS

D388,051 S * 12/1997 Harada D13/103
D392,249 S * 3/1998 Nakazawa D13/103

(Continued)

OTHER PUBLICATIONS

Duracell Optimum Gamer x Toothbrush, Duracell, published Jul. 15, 2019 on youtube.com, retrieved on Feb. 21, 2020, retrieved from the Internet URL: <https://www.youtube.com/watch?v=XrOBVN5Lapc>.*

(Continued)

Primary Examiner — Catherine S Posthauer

Assistant Examiner — Alison M Ofstun

(74) *Attorney, Agent, or Firm* — Marshall, Gerstein & Borun LLP

(57) **CLAIM**

The ornamental design for a battery, as shown and described.

DESCRIPTION

The file of this patent contains at least one drawing/photograph executed in color. Copies of this patent with color drawing(s)/photograph(s) will be provided by the Office upon request and payment of the necessary fee.

FIG. 1 is a top perspective view of a first embodiment of a battery showing our new ornamental design;

FIG. 2 is a front view thereof;

FIG. 3 is a back view thereof;

FIG. 4 is a top view thereof; and

FIG. 5 is a bottom view thereof.

FIG. 6 is a top perspective view of a second embodiment of a battery showing our new ornamental design;

FIG. 7 is a front view thereof;

FIG. 8 is a back view thereof;

FIG. 9 is a top view thereof; and

FIG. 10 is a bottom view thereof.

FIG. 11 is a top perspective view of a third embodiment of a battery showing our new ornamental design;

FIG. 12 is a front view thereof;

FIG. 13 is a back view thereof;

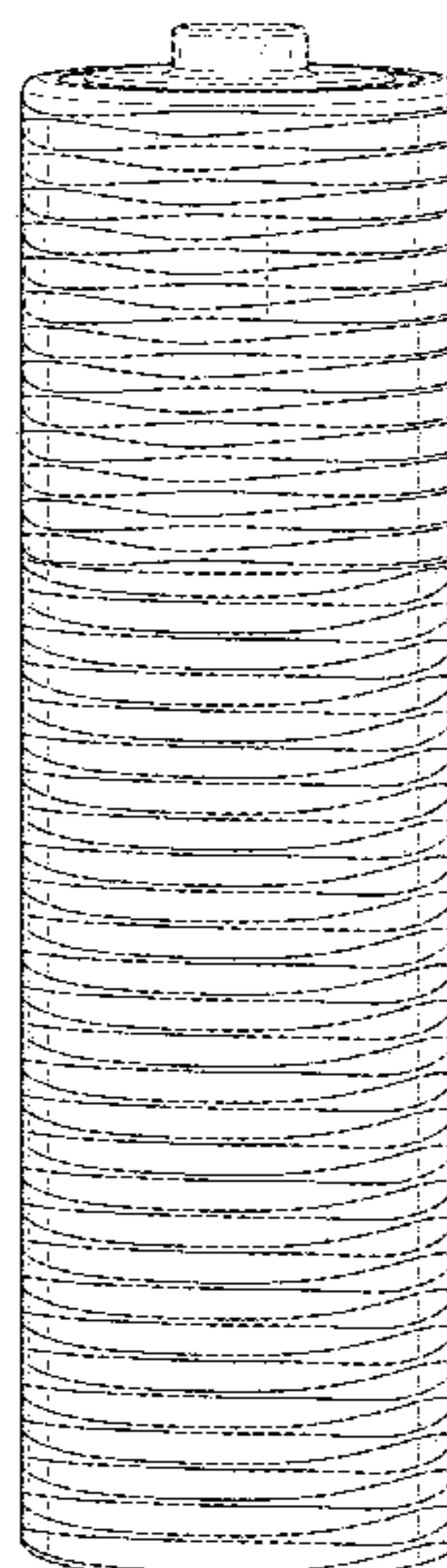
FIG. 14 is a top view thereof; and,

FIG. 15 is a bottom view thereof.

Contrast is shown in FIGS. 6-10 by using different cross-hatchings in one area and different stipplings in another. By using this technique, the claim will broadly cover contrasting surfaces unlimited by colors. The claim would not be limited to specific material either, as long as the appearance of the material does not patentably depart from the visual appearance illustrated in FIGS. 6-10.

In the drawings, the stippling represents a color contrast.

1 Claim, 9 Drawing Sheets
(3 of 9 Drawing Sheet(s) Filed in Color)



(58) **Field of Classification Search**

CPC Y02E 60/10; Y02E 60/12; Y02E 60/122;
 Y02E 60/124; Y02E 60/50; H01M 2/02;
 H01M 2/22; H01M 2/0202; H01M
 2/0207; H01M 2/0212; H01M 2/1061;
 H01M 2/1022; H01M 2/1055; H01M
 2/1066; H01M 2/105; H01M 2/20; H01M
 2/202; H01M 2/204; H01M 2/206; H01M
 10/44; H01M 10/46; H01M 10/465;
 H01M 10/482; H01M 2200/30; H01M
 2250/30; H01M 2250/40; H02J 7/00;
 H02J 7/0003; H02J 7/0011; H02J 7/0013;
 H02J 7/0054; H02J 7/0055; H02J 7/0057;
 H02J 2007/0062

See application file for complete search history.

D459,297 S * 6/2002 Searle D13/103
 D479,705 S * 9/2003 Hirokawa D13/103
 D481,993 S * 11/2003 Searle D13/103
 D533,872 S * 12/2006 Ligameri D14/492
 D539,216 S * 3/2007 Hamaguchi D13/103
 D550,612 S * 9/2007 Harada D13/103
 D577,333 S * 9/2008 Daniel D13/103
 D607,402 S * 1/2010 Himeda D13/103
 D720,688 S * 1/2015 Popper D13/103
 D740,221 S * 10/2015 Popper D13/103
 D751,978 S * 3/2016 Hong D13/103
 D762,564 S * 8/2016 Patton D13/103
 D763,788 S * 8/2016 Bakker D13/103
 9,793,542 B2 * 10/2017 Nelson H01M 6/04
 10,297,875 B2 * 5/2019 Riemer H01M 10/48
 D867,280 S * 11/2019 Chen D13/103
 2006/0275656 A1 * 12/2006 Feddrix H01M 2/1055
 429/179

(56) **References Cited**

U.S. PATENT DOCUMENTS

D403,297 S * 12/1998 Nakazawa D13/103
 D413,565 S * 9/1999 Nakayama D13/103
 D428,385 S * 7/2000 Luh D13/103

OTHER PUBLICATIONS

Rayovac 2016 Industrial Catalog. Wisconsin: Spectrum Brands, Inc., 2016. Retrieved from <https://www.turtle.com/ASSETS/DOCUMENTS/ITEMS/EN/Rayovac_ALC_Catalog.pdf>.

* cited by examiner

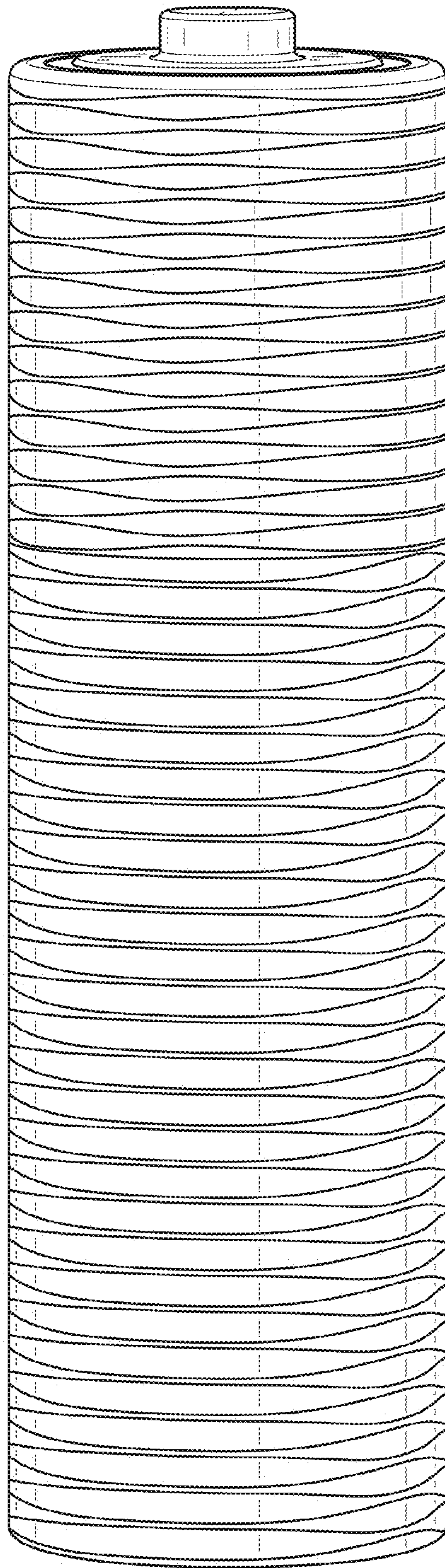


FIG. 1

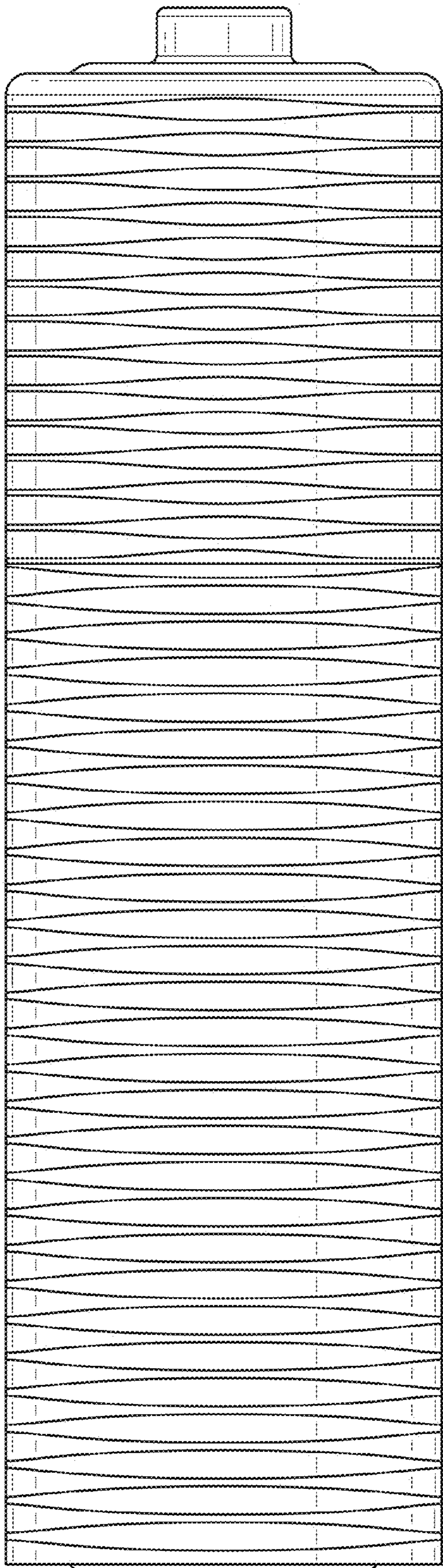


FIG. 2

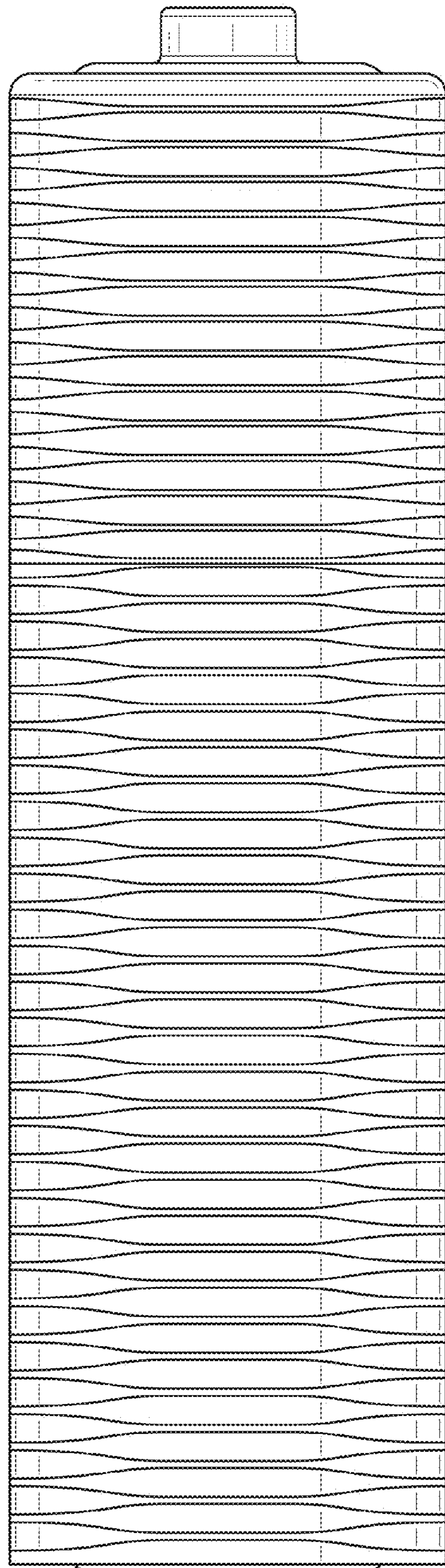


FIG. 3

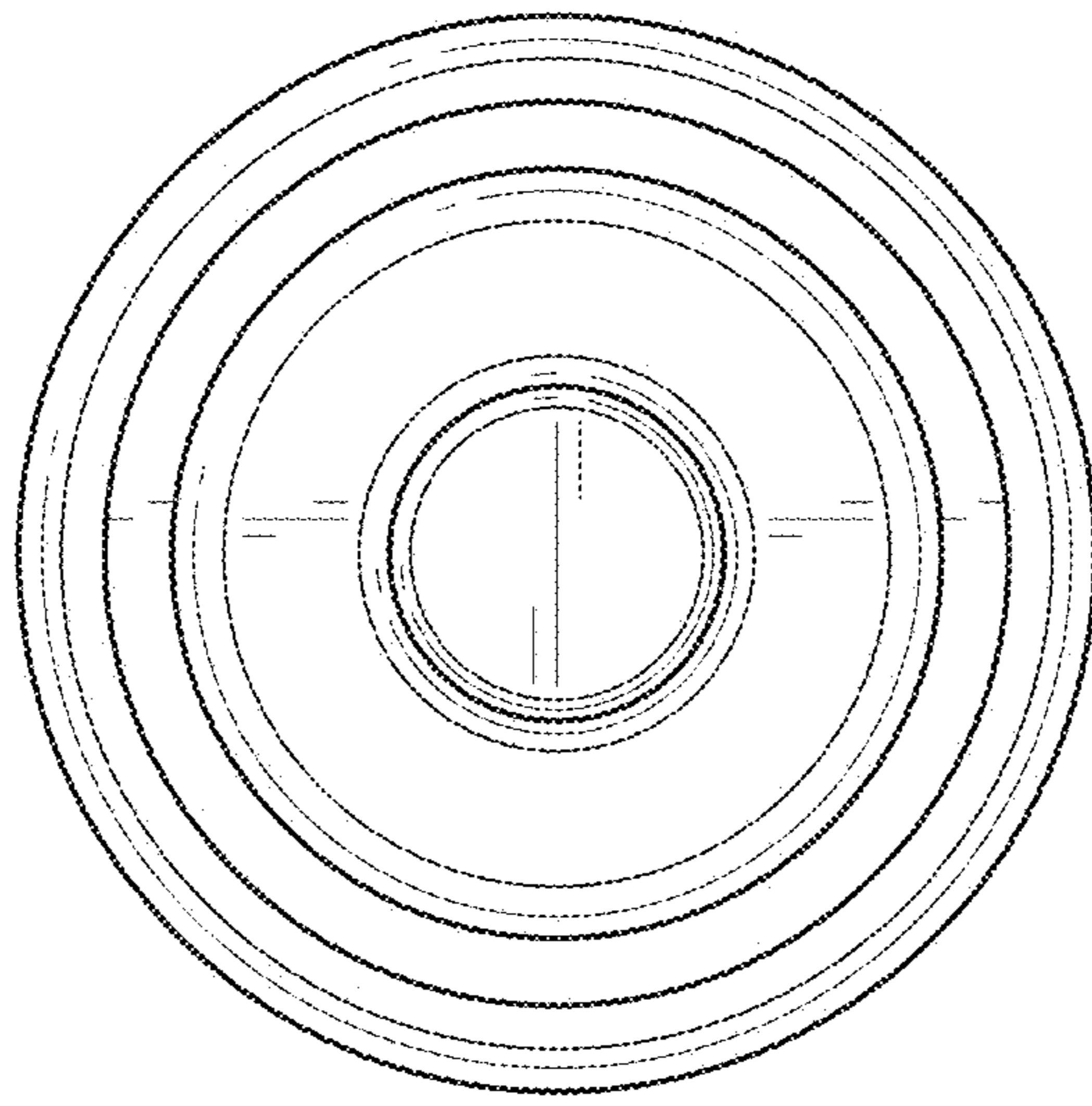


FIG. 4

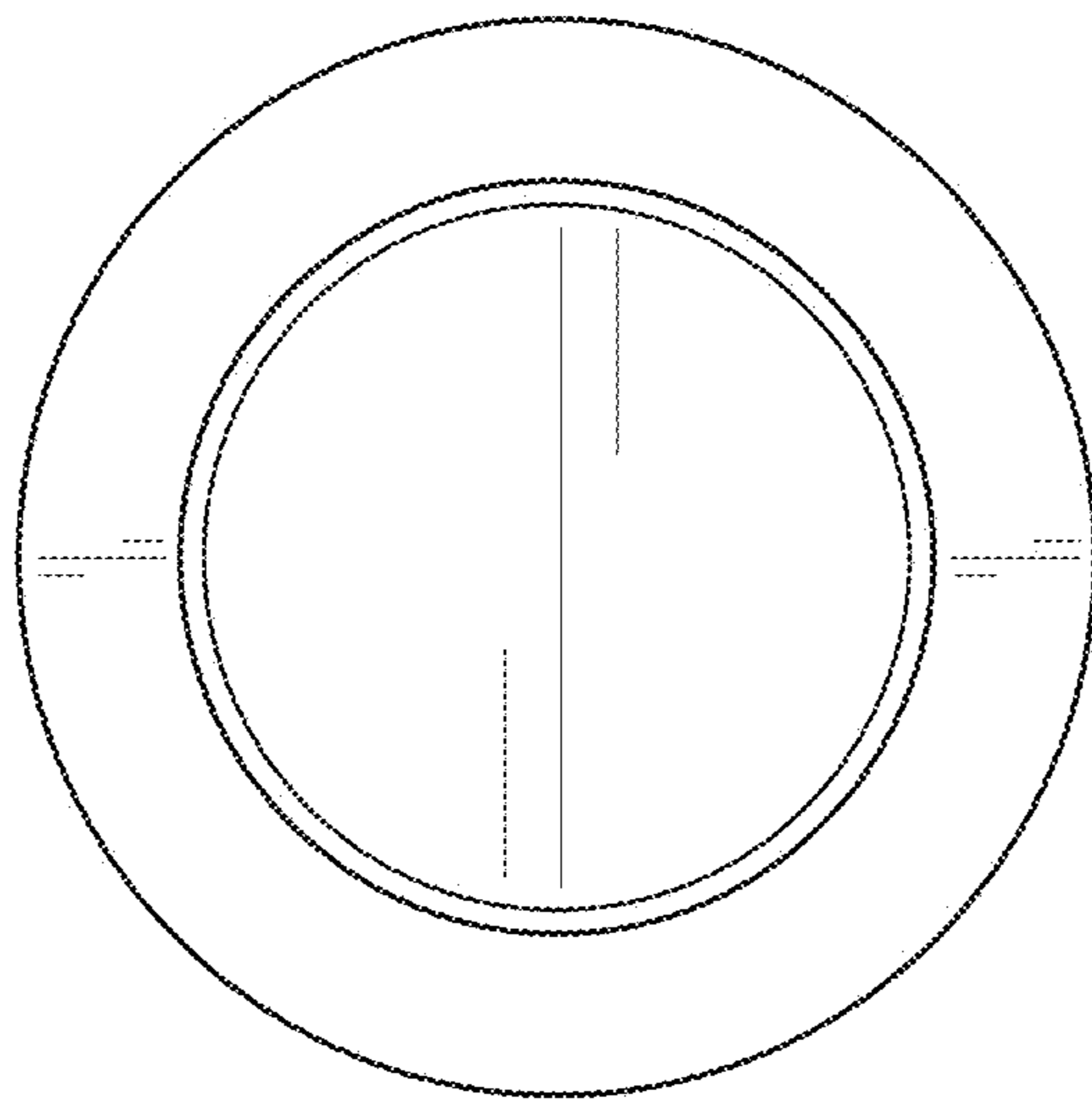


FIG. 5

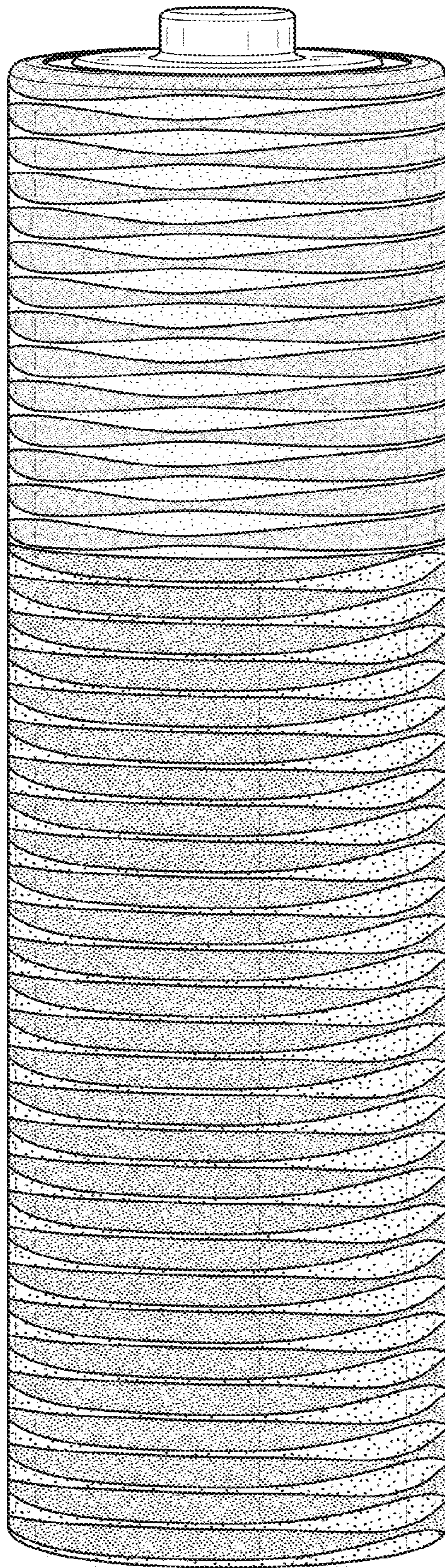


FIG. 6

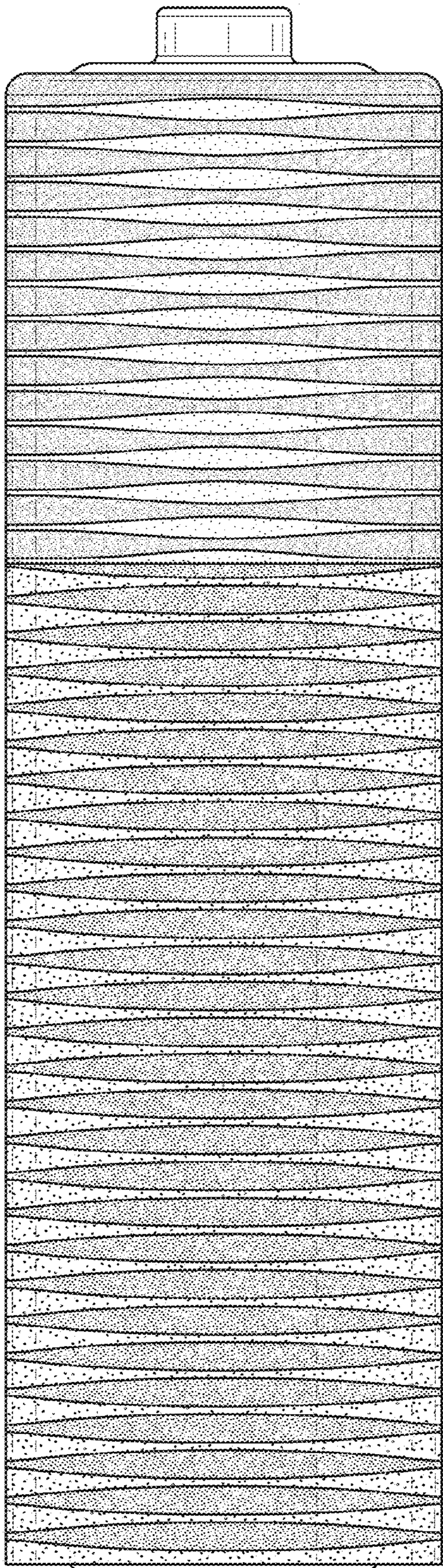


FIG. 7

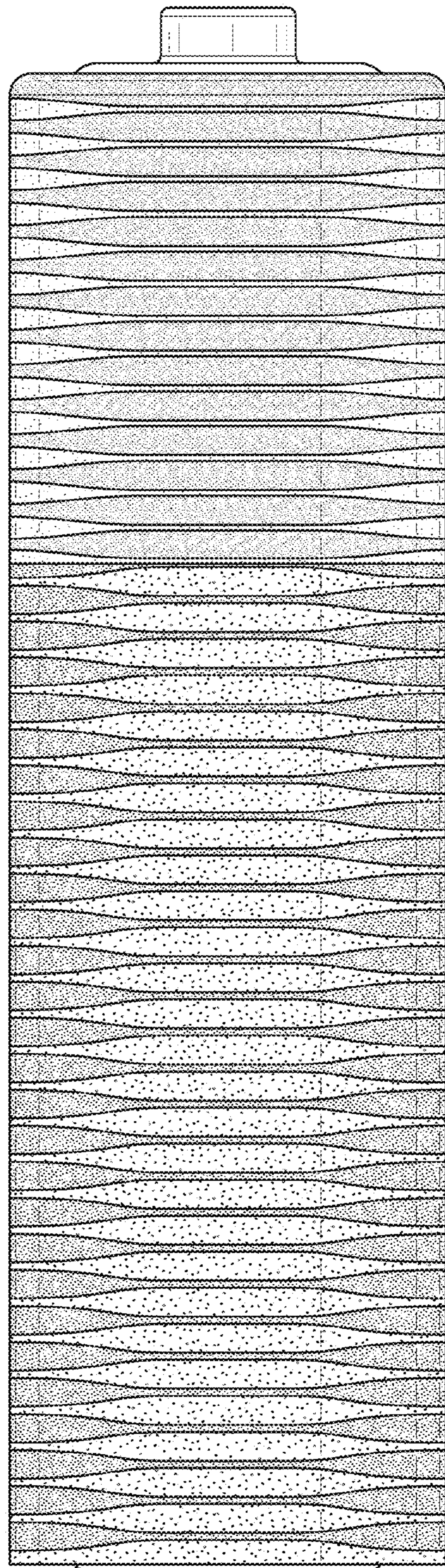


FIG. 8

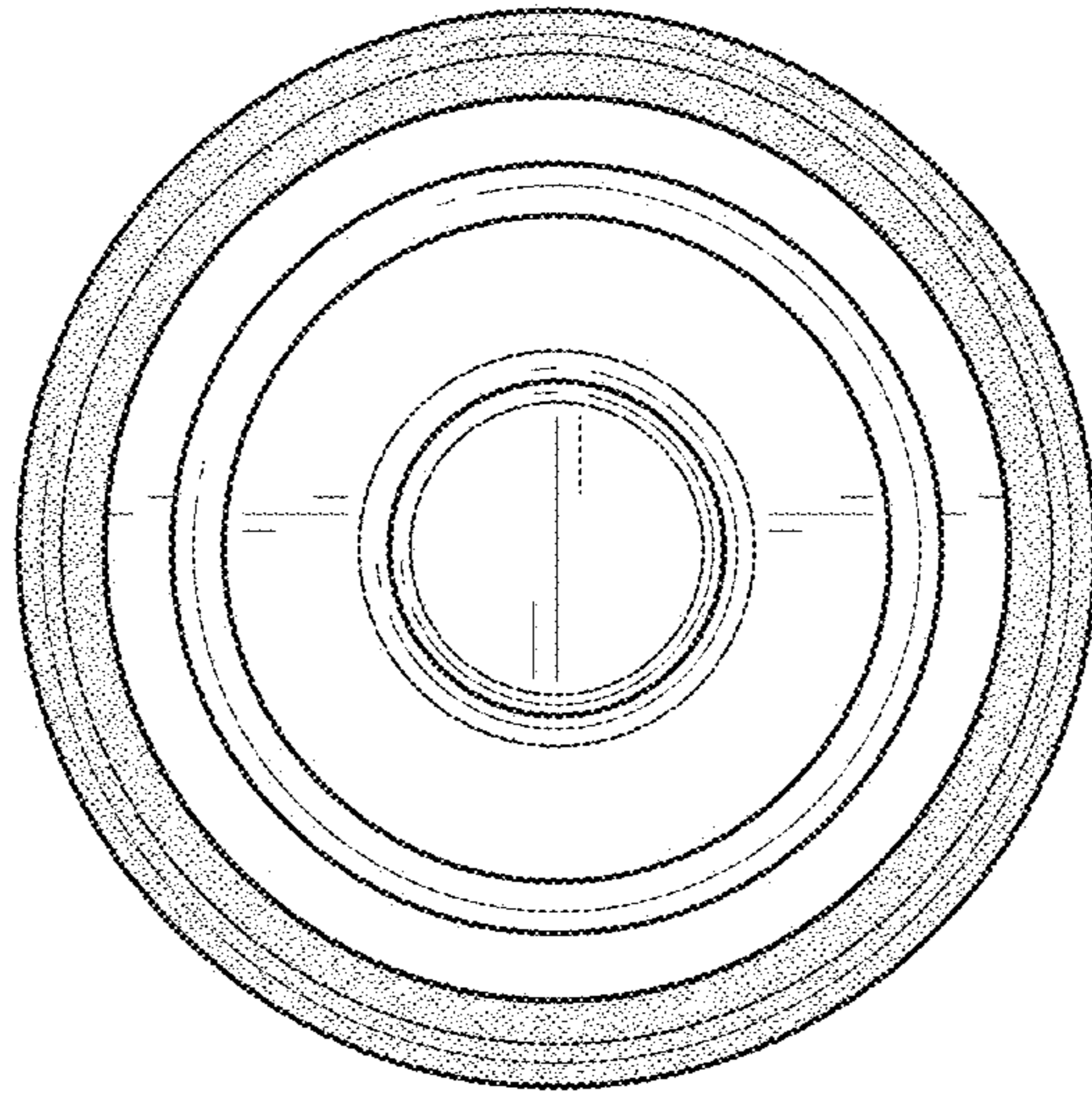


FIG. 9

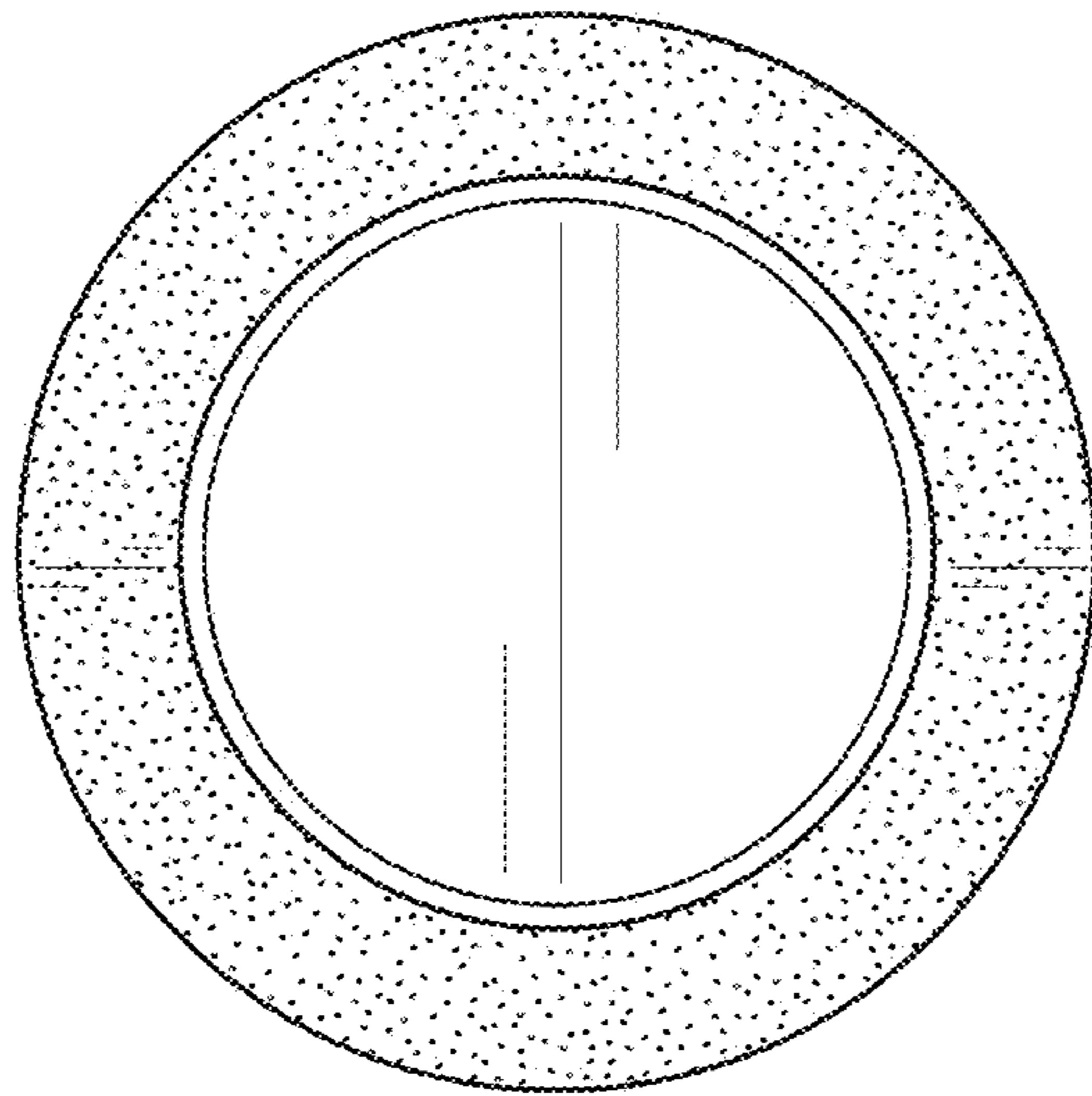


FIG. 10

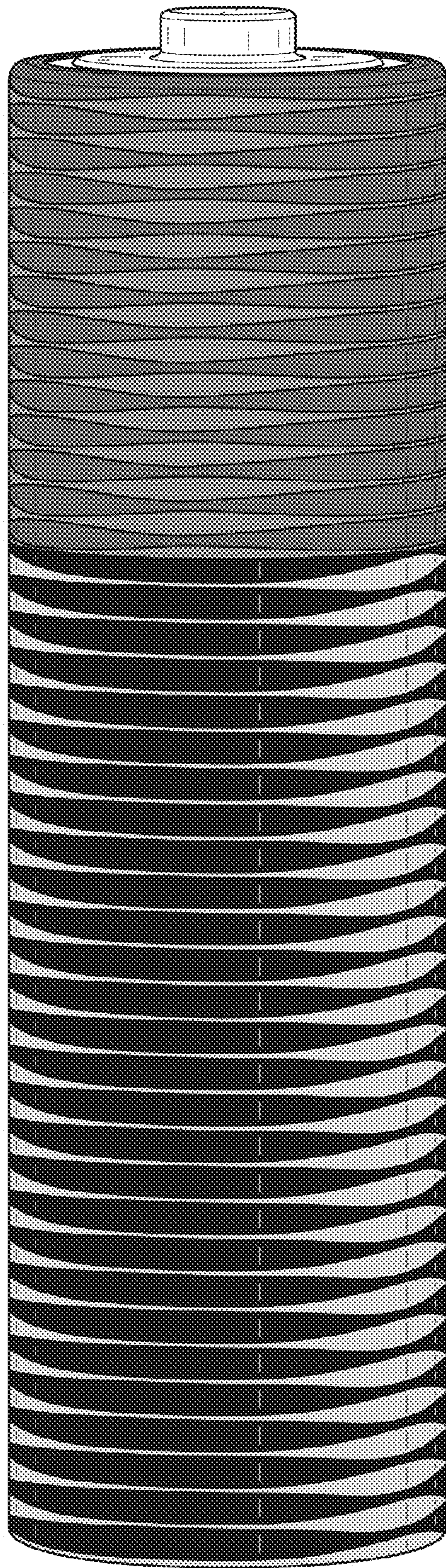


FIG. 11

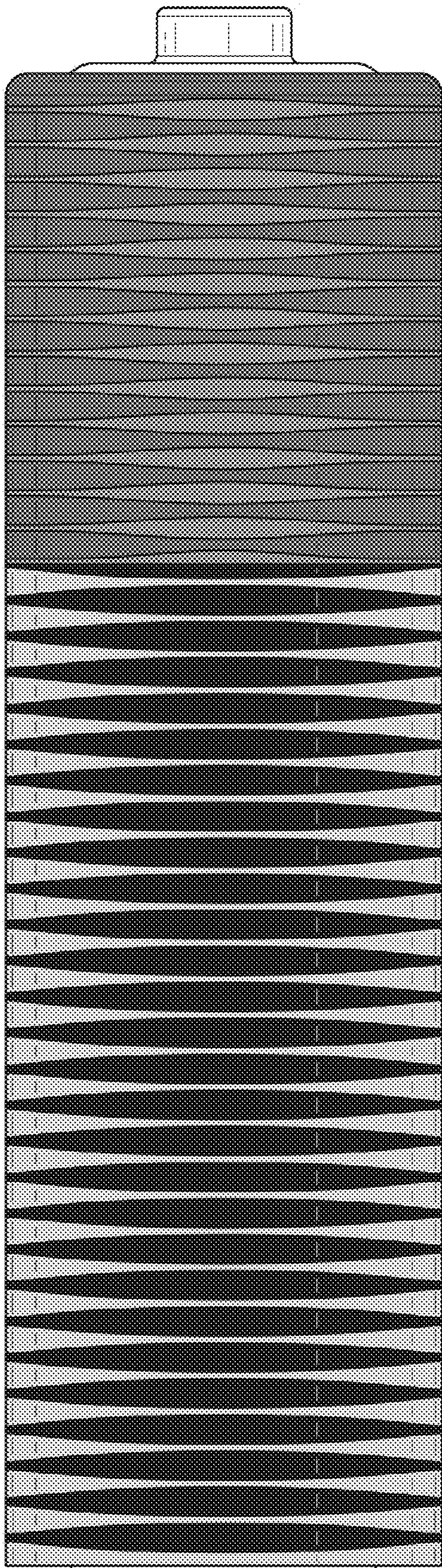


FIG. 12

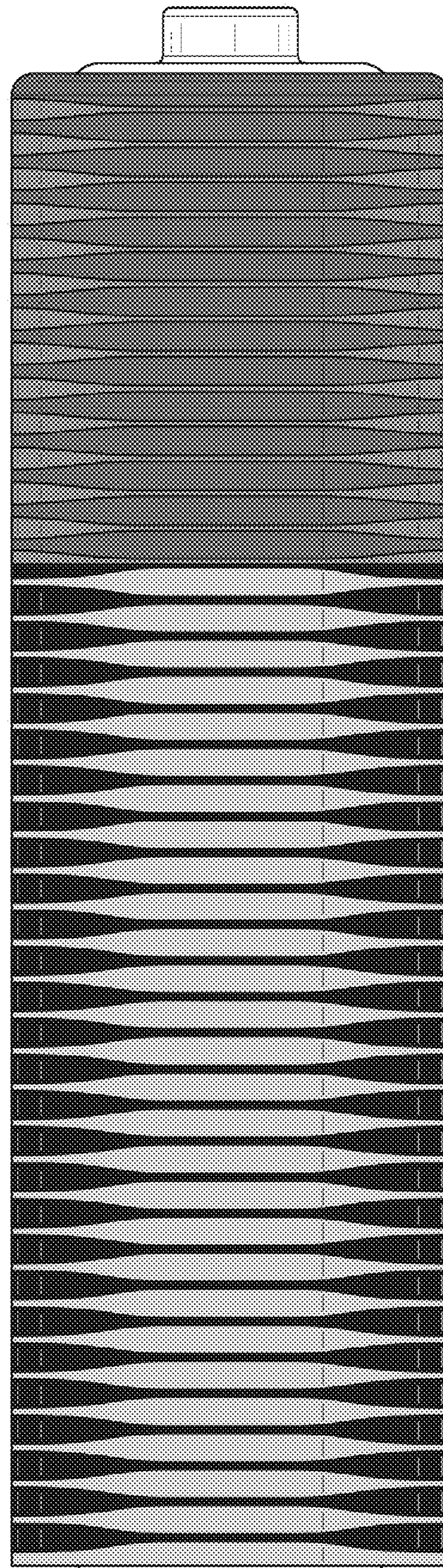


FIG. 13

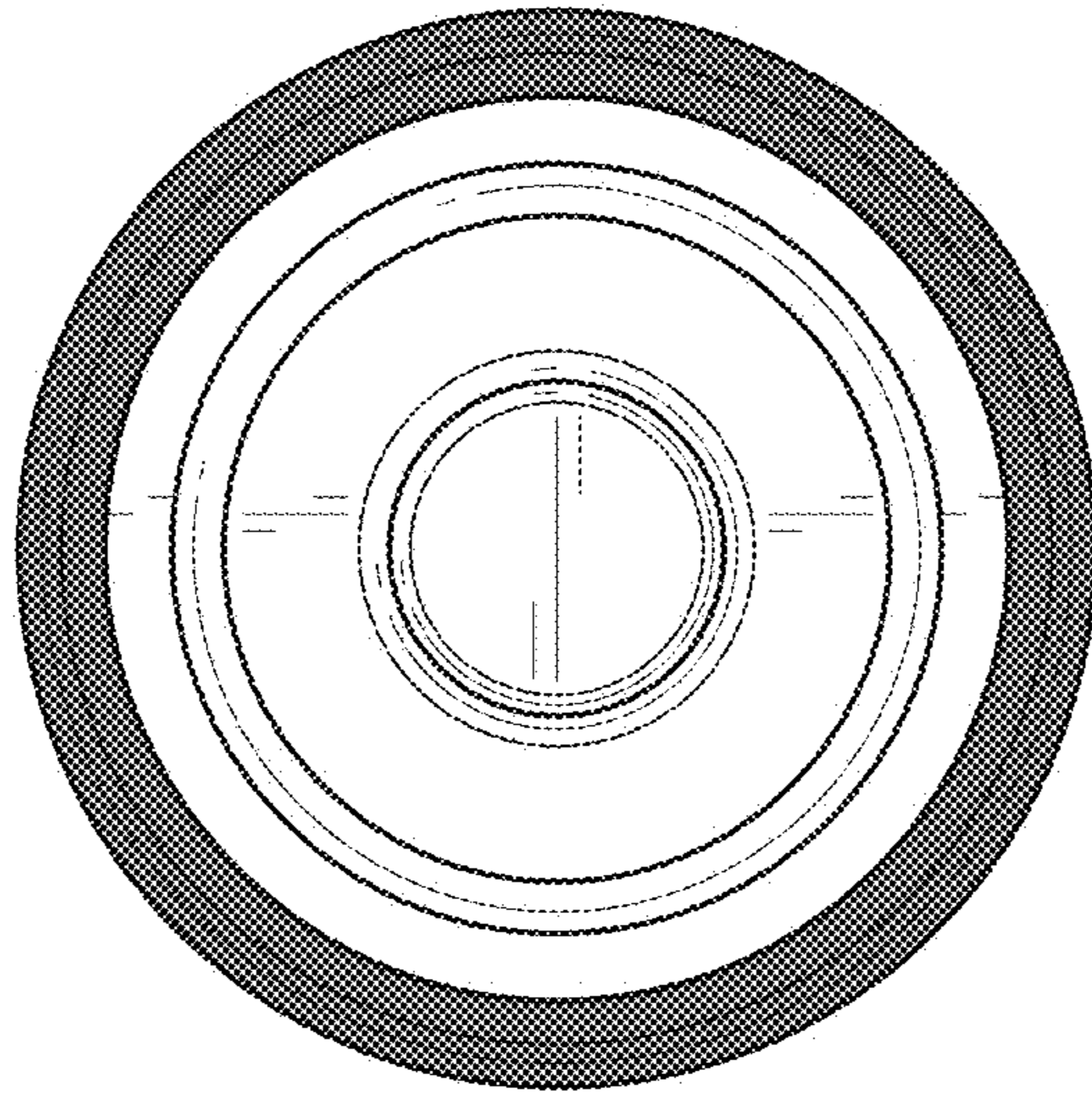


FIG. 14

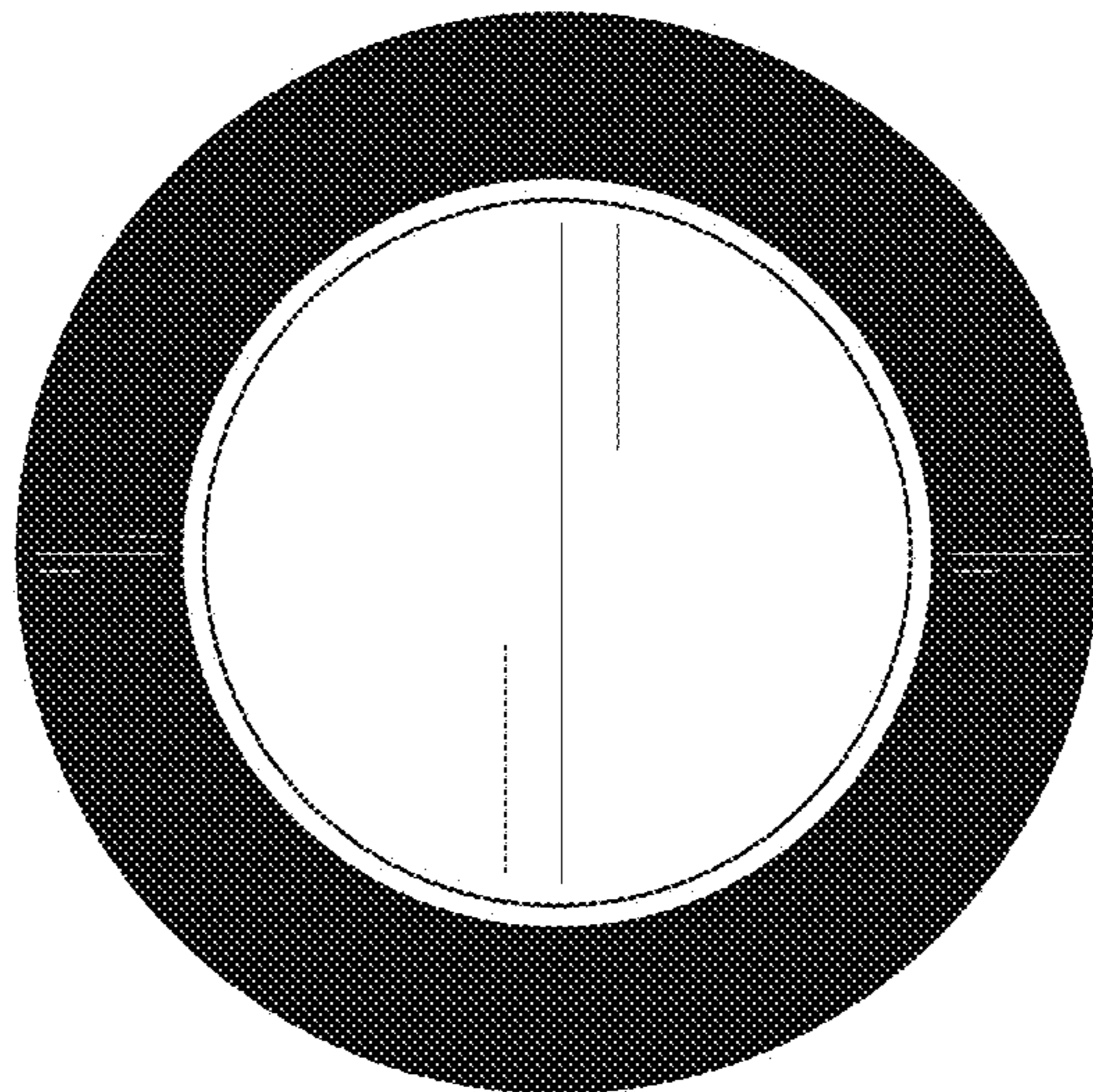


FIG. 15