



US00D937190S

(12) **United States Design Patent** (10) **Patent No.:** **US D937,190 S**  
**Maxwell et al.** (45) **Date of Patent:** **\*\* Nov. 30, 2021**

(54) **TIRE SIDEWALL**  
(71) Applicant: **The Goodyear Tire & Rubber Company, Akron, OH (US)**  
(72) Inventors: **Paul Bryan Maxwell, Kent, OH (US); Cheryl Lynn Hackathorn, Massillon, OH (US)**  
(73) Assignee: **The Goodyear Tire & Rubber Company, Akron, OH (US)**  
(\*\*) Term: **15 Years**  
(21) Appl. No.: **29/735,854**  
(22) Filed: **May 26, 2020**  
(51) **LOC (13) Cl.** ..... **12-15**  
(52) **U.S. Cl.**  
USPC ..... **D12/605**  
(58) **Field of Classification Search**  
USPC ..... D12/604, 605  
CPC ..... B60C 13/00; B60C 1/00  
See application file for complete search history.

(56) **References Cited**  
U.S. PATENT DOCUMENTS  
D386,455 S 11/1997 Clementz et al.  
D413,289 S \* 8/1999 Ratliff, Jr. .... D12/605  
D450,034 S \* 11/2001 Kajikawa ..... D12/605  
D450,274 S 11/2001 Ratliff, Jr. et al.  
D452,203 S \* 12/2001 Kajikawa ..... D12/605  
D477,810 S 7/2003 Budich et al.  
D492,648 S 7/2004 Maxwell  
D500,013 S \* 12/2004 Maxwell ..... D12/605  
D503,146 S 3/2005 Maxwell et al.  
D517,003 S 3/2006 Shondel  
D540,740 S 4/2007 Maxwell et al.  
D543,497 S 5/2007 Maxwell  
D543,933 S 6/2007 Shondel  
D550,149 S 9/2007 Shondel

D552,535 S 10/2007 Smith  
D552,536 S 10/2007 Shondel  
D552,537 S 10/2007 Franks et al.  
D553,076 S 10/2007 Miyasaka  
D554,577 S 11/2007 Miyazaki  
D563,310 S 3/2008 Shondel  
D567,169 S 4/2008 Maxwell et al.  
D569,338 S 5/2008 Shondel  
D569,792 S \* 5/2008 Holden ..... D12/605  
D569,793 S \* 5/2008 Dixon ..... D12/605  
D571,287 S 6/2008 Dixon  
D574,320 S 8/2008 Dixon  
D581,352 S 11/2008 Harvey  
D581,353 S 11/2008 Harvey  
D581,354 S 11/2008 Harvey  
D583,313 S 12/2008 Harvey  
D584,222 S \* 1/2009 Ohashi ..... D12/605  
D585,016 S 1/2009 Weimer et al.  
D585,017 S 1/2009 Shondel  
D588,529 S 3/2009 Reese

(Continued)

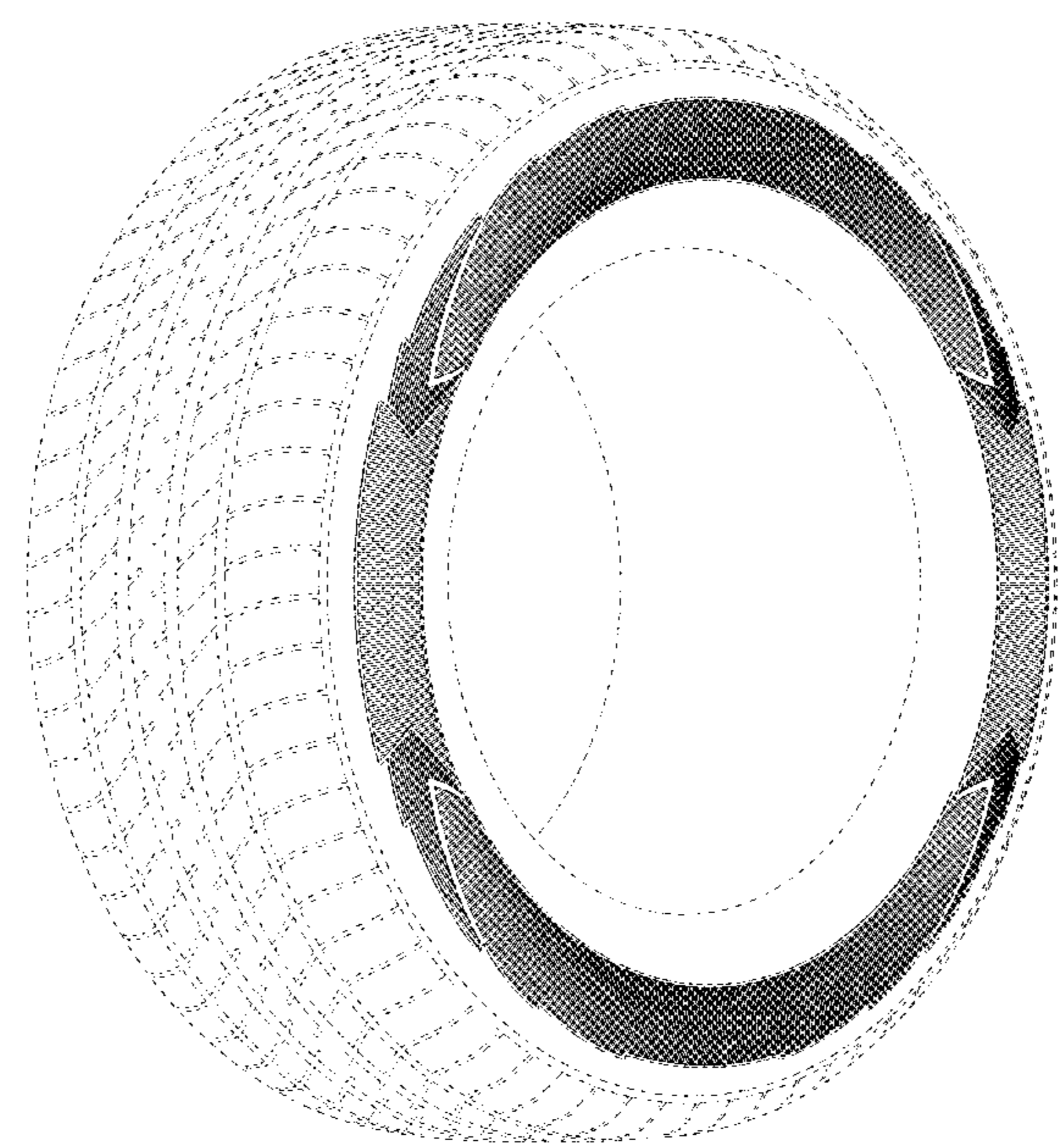
*Primary Examiner* — Michelle E. Wilson  
*Assistant Examiner* — Clese Moore, Jr.  
(74) *Attorney, Agent, or Firm* — Robert N. Lipsik

(57) **CLAIM**  
The ornamental Design for a tire sidewall, as shown and described.

**DESCRIPTION**

FIG. 1 is a perspective view of a tire sidewall showing a design in accordance with the present invention; FIG. 2 is a right side elevational view thereof; and, FIG. 3 is an enlarged front view taken from FIG. 2 thereof. In the drawings, the broken lines showing of the tire tread, inner bead, and the peripheral boundary between the tire tread and the sidewall in FIGS. 1 through 4 depict environmental subject matter and form no part of the claimed design.

**1 Claim, 3 Drawing Sheets**



(56)

References Cited

U.S. PATENT DOCUMENTS

D588,532 S 3/2009 Shondel  
 D593,487 S 6/2009 Takahashi  
 D598,843 S 8/2009 Maxwell  
 D605,583 S 12/2009 Scheifele  
 D606,933 S 12/2009 Palma et al.  
 D608,275 S 1/2010 Maxwell  
 D610,978 S 3/2010 Harvey et al.  
 D610,979 S 3/2010 Maxwell et al.  
 D610,980 S 3/2010 Shondel  
 D610,981 S 3/2010 Shondel  
 D611,403 S 3/2010 Kuwano  
 D614,123 S 4/2010 Harvey  
 D626,502 S \* 11/2010 Nakamura ..... D12/605  
 D628,959 S \* 12/2010 Harvey ..... D12/605  
 D632,641 S \* 2/2011 Sato ..... D12/605  
 D639,728 S 6/2011 Ohashi  
 D640,187 S 6/2011 Fontaine  
 D645,812 S 9/2011 Tokizaki  
 D650,323 S \* 12/2011 Morito ..... D12/605  
 D655,671 S \* 3/2012 Yasunaga ..... D12/605  
 D656,090 S 3/2012 Sato  
 D667,369 S \* 9/2012 Fontaine ..... D12/605  
 D668,210 S \* 10/2012 Sato ..... D12/605  
 D669,845 S \* 10/2012 Iwabuchi ..... D12/605  
 D671,066 S \* 11/2012 Morito ..... D12/605  
 D674,745 S 1/2013 Miyazaki

D681,546 S 5/2013 Sato  
 D681,547 S 5/2013 Sato  
 D683,695 S 6/2013 Takeshima  
 D684,110 S 6/2013 Frappart et al.  
 D684,111 S 6/2013 Vandaele  
 D689,815 S 9/2013 Kuwano  
 D695,211 S \* 12/2013 Yasunaga ..... D12/605  
 D704,131 S 5/2014 Minami et al.  
 D707,621 S 6/2014 Tokizaki et al.  
 D738,818 S 9/2015 Sato et al.  
 D749,499 S 2/2016 Iwabuchi  
 D750,554 S \* 3/2016 Iwabuchi ..... D12/605  
 D754,063 S 4/2016 Iwabuchi  
 D754,596 S 4/2016 Tokizaki et al.  
 D777,094 S 1/2017 Takahashi  
 D778,816 S 2/2017 Tokizaki  
 D791,694 S \* 7/2017 Sato ..... D12/605  
 D797,038 S 9/2017 Sekine et al.  
 D822,590 S 7/2018 Maxwell et al.  
 D823,785 S 7/2018 Noel  
 D829,162 S \* 9/2018 Sano ..... D12/605  
 D829,644 S \* 10/2018 Morita ..... D12/605  
 D830,292 S \* 10/2018 Baggetta ..... D12/605  
 D854,495 S \* 7/2019 Mishima ..... D12/605  
 D856,916 S \* 8/2019 Yamaoka ..... D12/605  
 D859,303 S \* 9/2019 Taniguchi ..... D12/605  
 D876,334 S 2/2020 Fontaine et al.  
 D876,335 S 2/2020 Fontaine et al.  
 D876,336 S \* 2/2020 Schoeppner ..... D12/605

\* cited by examiner

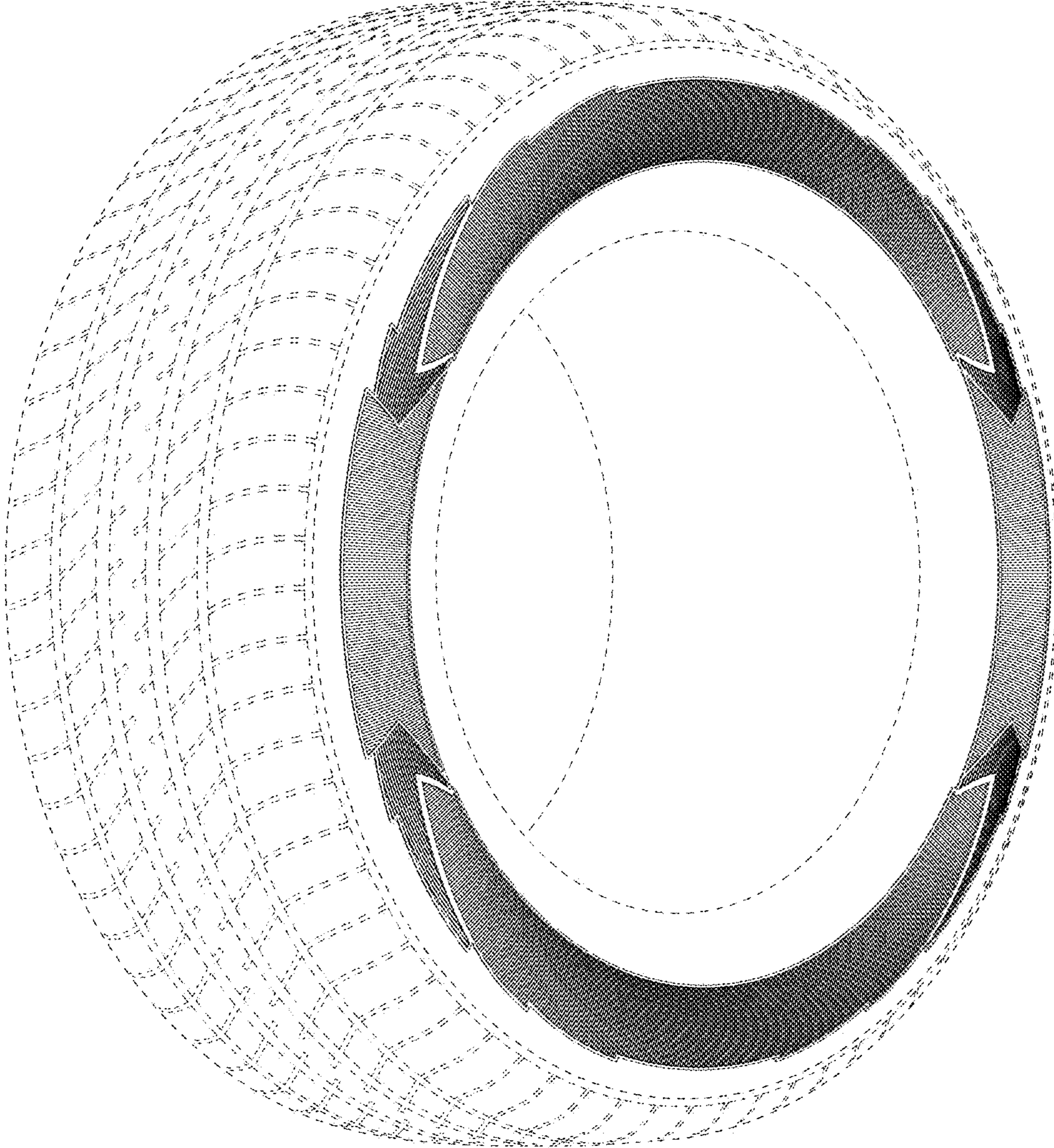


FIG - 1

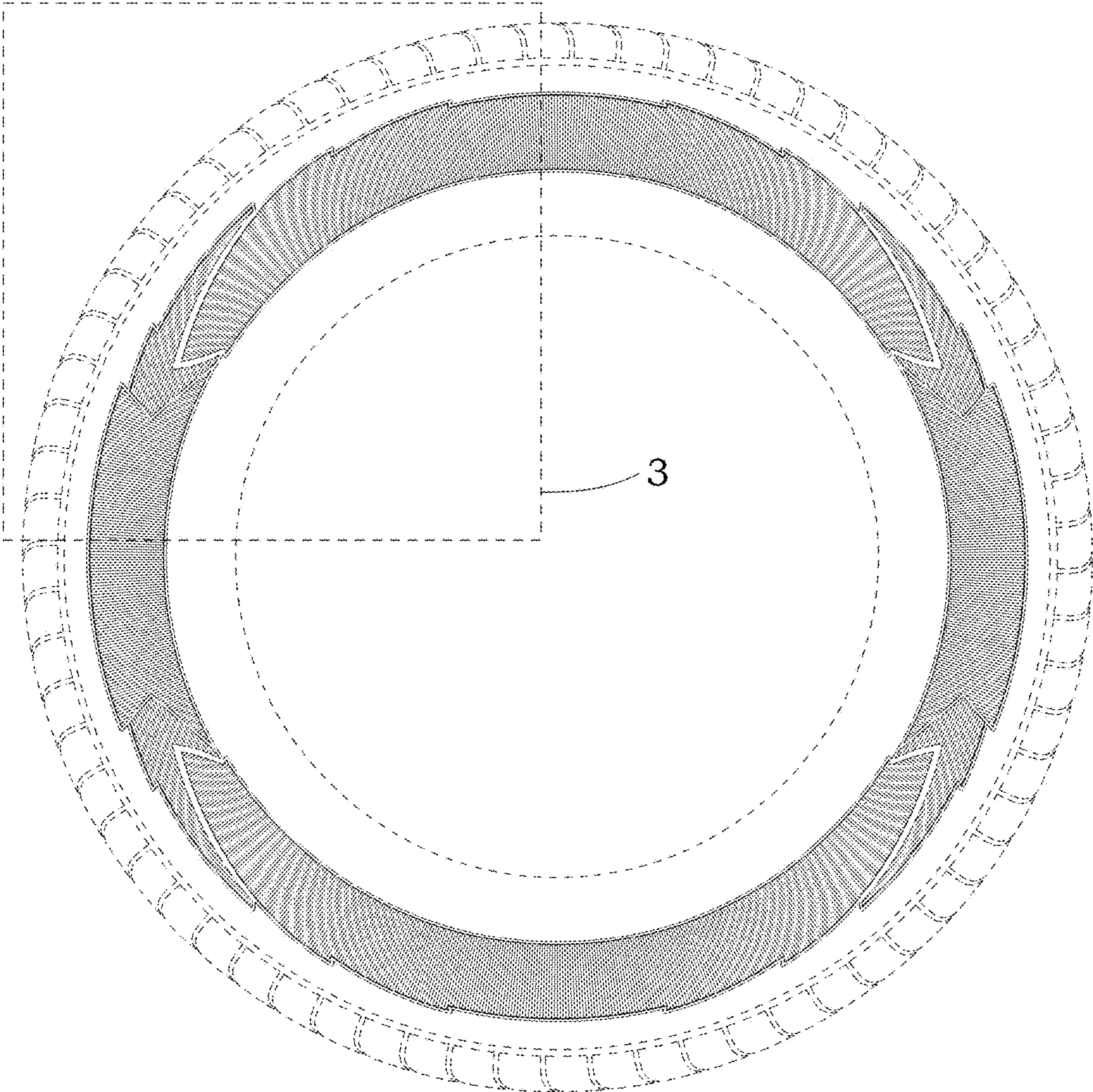


FIG - 2

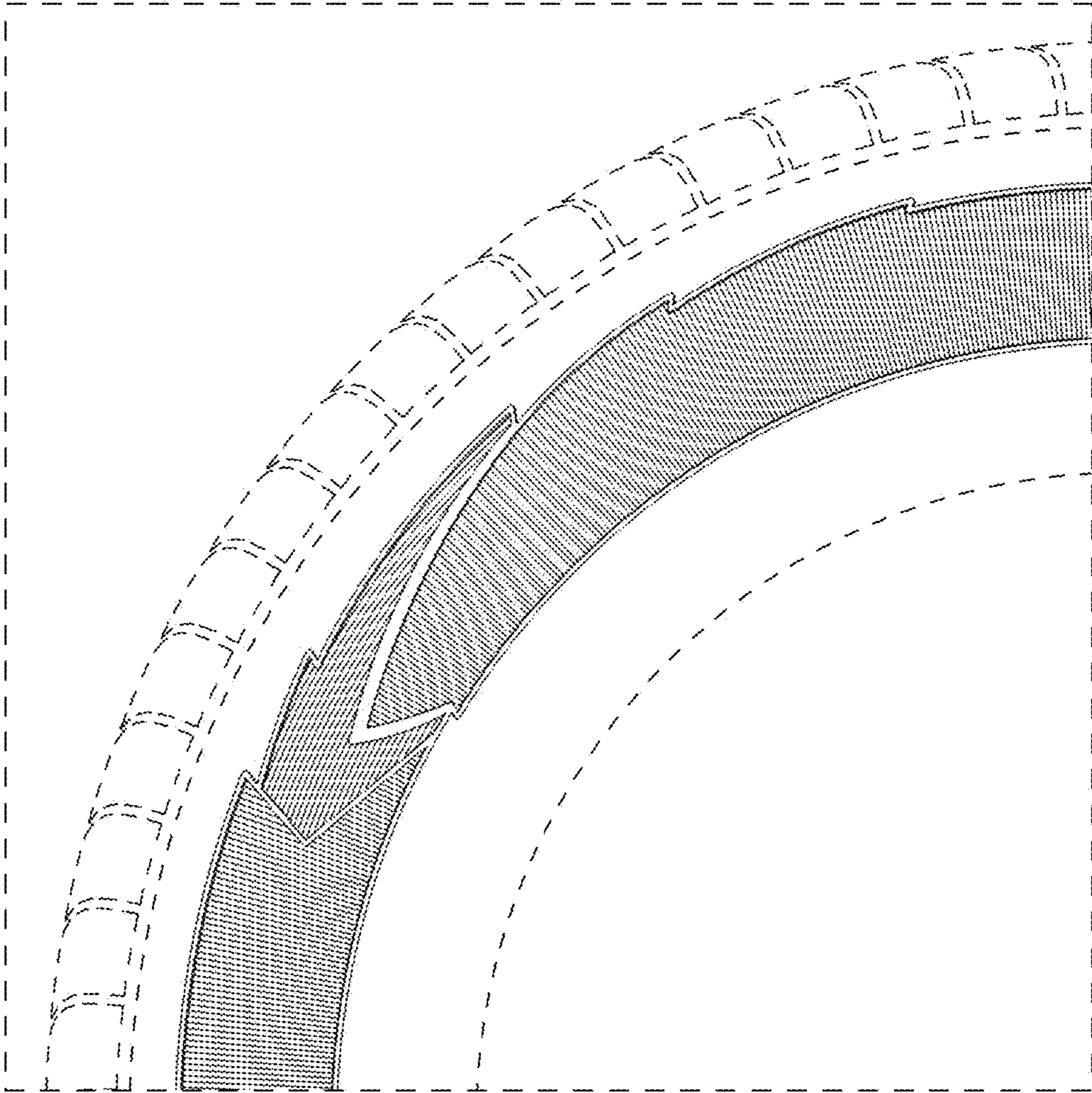


FIG - 3