



US00D937186S

(12) **United States Design Patent** (10) **Patent No.:** **US D937,186 S**  
**Reygrobellet** (45) **Date of Patent:** **\*\* Nov. 30, 2021**

(54) **TIRE**  
(71) Applicant: **The Goodyear Tire & Rubber Company, Akron, OH (US)**  
(72) Inventor: **Franck Reygrobellet, Luxembourg (LU)**  
(73) Assignee: **The Goodyear Tire & Rubber Company, Akron, OH (US)**  
(\*\*) Term: **15 Years**  
(21) Appl. No.: **29/717,339**  
(22) Filed: **Dec. 17, 2019**  
(51) **LOC (13) Cl.** ..... **12-15**  
(52) **U.S. Cl.**  
USPC ..... **D12/583**  
(58) **Field of Classification Search**  
USPC ..... D12/568-605, 900  
CPC ..... Y10T 152/10027; B60C 1/0016; B60C 11/0306; B60C 11/0302; B60C 3/06; B60C 9/17  
See application file for complete search history.

D645,807 S 9/2011 Scharis et al. .... D12/583  
D646,630 S 10/2011 Scharis et al. .... D12/600  
D647,040 S 10/2011 Mathonet et al. .... D12/588  
(Continued)

**OTHER PUBLICATIONS**

U.S. Appl. No. 29/686,065, filed Apr. 2, 2019, Reygrobellet, et al.  
(Continued)

*Primary Examiner* — John A Voytek  
(74) *Attorney, Agent, or Firm* — Robert N. Lipsik

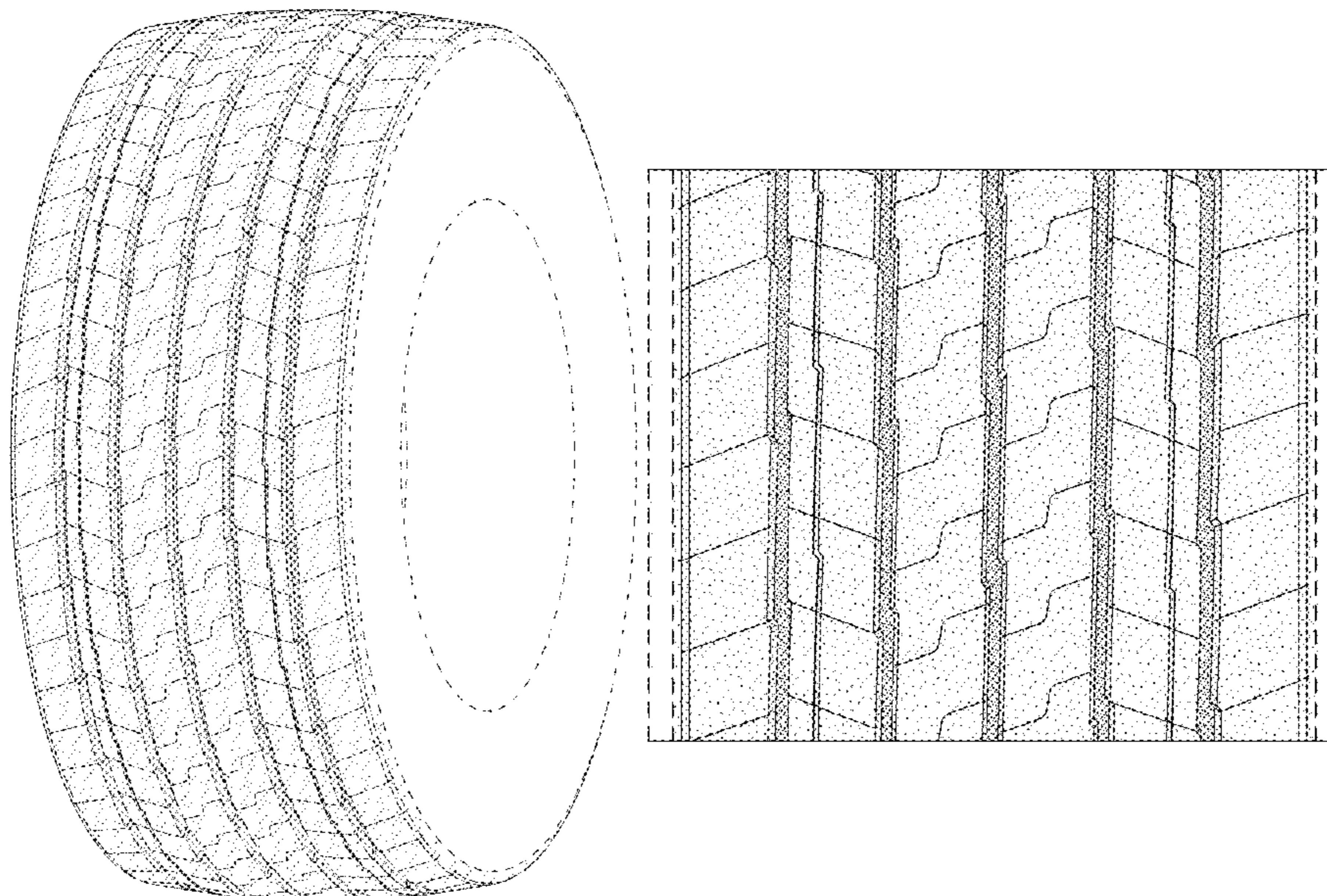
(57) **CLAIM**  
The ornamental Design for a tire, as shown and described.

**DESCRIPTION**

FIG. 1 is a perspective view of a tire showing my new design, it being understood that the pattern repeats uniformly throughout the circumference of the tread;  
FIG. 2 is a front elevational view thereof;  
FIG. 3 is a right side elevational view of the area circled in FIG. 1;  
FIG. 4 is an enlarged fragmentary front elevational view thereof;  
FIG. 5 is a perspective view of a second embodiment of a tire showing my new design, it being understood that the interior of the tire forms no part of the claim, that the pattern repeats uniformly throughout the circumference of the tread and that the opposite side view is identical thereto; and,  
FIG. 6 is a front elevational view of a second embodiment, it being understood that an enlarged fragmentary view thereof would be substantially identical to that shown in FIG. 4, with the exception of the inclusion of the sidewall in the claim.  
In the drawings, the broken lines immediately adjacent to the outer edges of the tire shoulder represent boundaries of the claim, and the broken lines depict environmental subject matter only and form no part of the claimed design.

**1 Claim, 6 Drawing Sheets**

(56) **References Cited**  
**U.S. PATENT DOCUMENTS**  
D448,707 S 10/2001 Maziarka et al. .... D12/147  
D541,737 S 5/2007 Cazin-Bourguignon et al. .... D12/600  
D554,055 S 10/2007 Beauguitte et al. .... D12/600  
D585,816 S 2/2009 Campana ..... D12/584  
D588,984 S 3/2009 Lee ..... D12/588  
D597,479 S 8/2009 Scharis ..... D12/586  
D599,282 S 9/2009 Nicolas ..... D12/588  
D601,950 S 10/2009 Pressley et al. .... D12/588  
D613,676 S 4/2010 Nicolas et al. .... D12/567  
D644,599 S 9/2011 Nicolas et al. .... D12/601  
D644,600 S 9/2011 Nicolas et al. .... D12/602



(56)

**References Cited**

## U.S. PATENT DOCUMENTS

D647,464 S	10/2011	Scharis et al. ....	D12/585
D648,264 S	11/2011	Le et al. ....	D12/588
D676,802 S *	2/2013	Takei ....	D12/588
D702,180 S	4/2014	Le et al. ....	D12/588
D737,756 S	9/2015	Mathonet et al. ....	D12/601
D738,294 S	9/2015	Koog ....	D12/584
D738,814 S	9/2015	Otani ....	D12/588
D741,791 S	10/2015	Severyn ....	D12/601
D742,813 S	11/2015	Tian ....	D12/601
D770,371 S	11/2016	Mathonet et al. ....	D12/601
D782,404 S	3/2017	Dixon et al. ....	D12/602
D782,964 S	4/2017	Fursthos et al. ....	D12/584
D789,285 S	6/2017	Becker et al. ....	D12/588
D815,015 S *	4/2018	Le ....	D12/521
D822,586 S	7/2018	Becker et al. ....	D12/588
D823,780 S	7/2018	Van Miegroet et al. ....	D12/536
D830,289 S *	10/2018	Mita ....	D12/584
D851,020 S *	6/2019	Koog ....	D12/585
D853,946 S	7/2019	Becker et al. ....	D12/588
D857,621 S *	8/2019	Wu ....	D12/603
D863,213 S *	10/2019	Baranger ....	D12/587
D896,163 S *	9/2020	Reygrobellet ....	D12/583
D908,600 S *	1/2021	Reygrobellet ....	D12/588

## OTHER PUBLICATIONS

U.S. Appl. No. 29/688,767, filed Apr. 24, 2019, Sadananda, et al.

U.S. Appl. No. 29/692,592, filed May 28, 2019, Sadananda, et al.

U.S. Appl. No. 29/707,771, filed Oct. 1, 2019, Benvenuti, et al.

U.S. Appl. No. 29/707,772, filed Oct. 1, 2019, Sadananda, et al.

U.S. Appl. No. 29/709,600, filed Oct. 16, 2019, Pingenat, et al.

\* cited by examiner

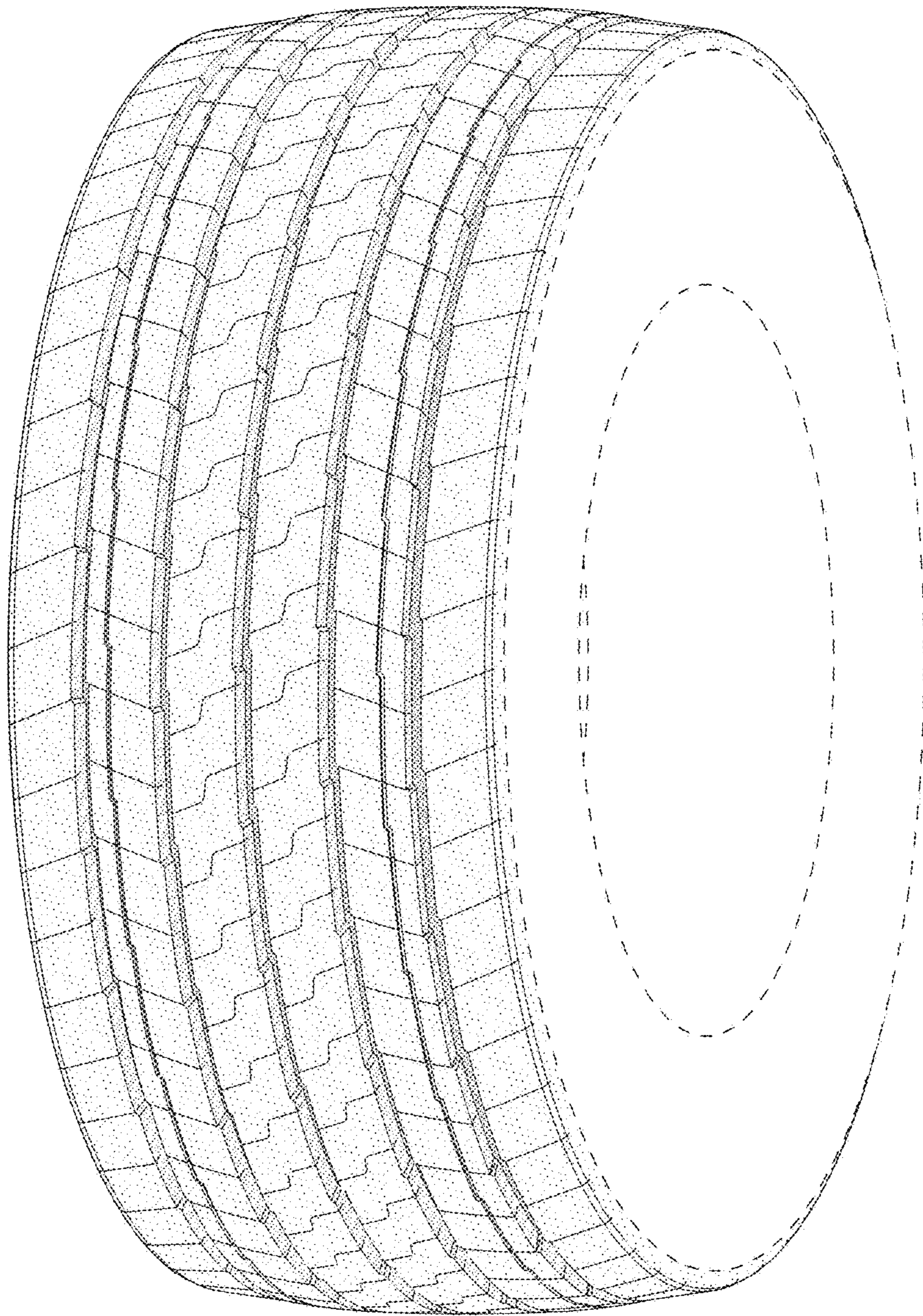


FIG - 1

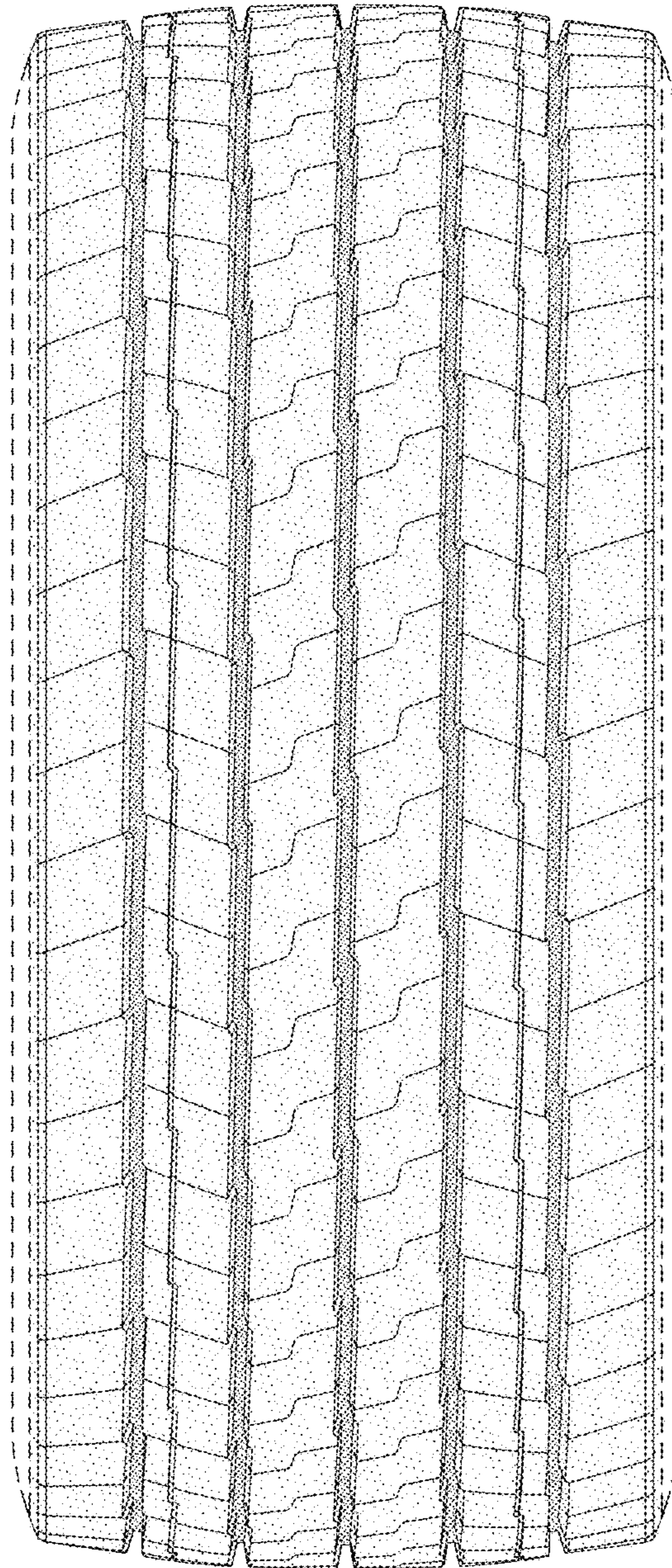


FIG - 2

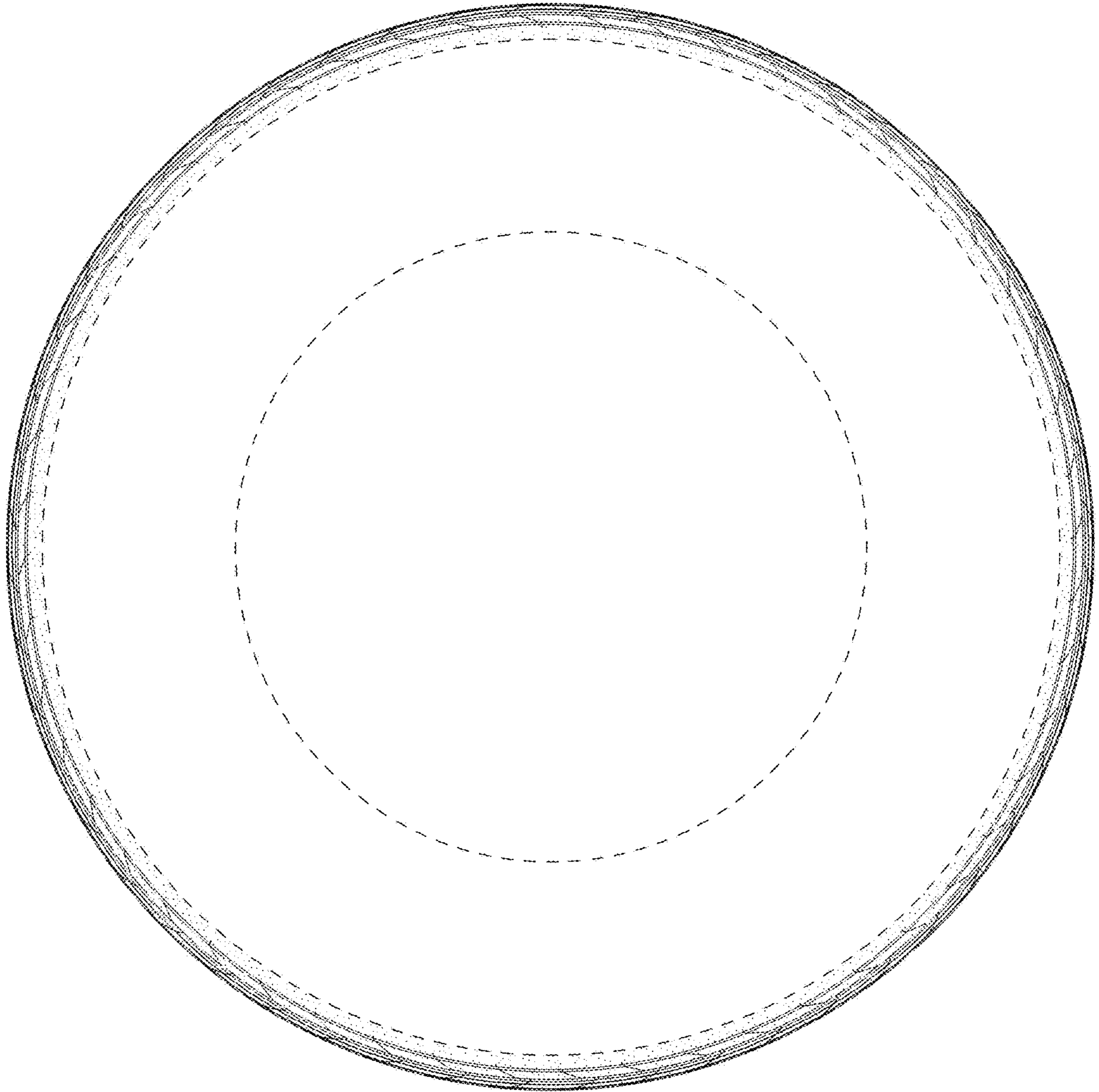


FIG - 3

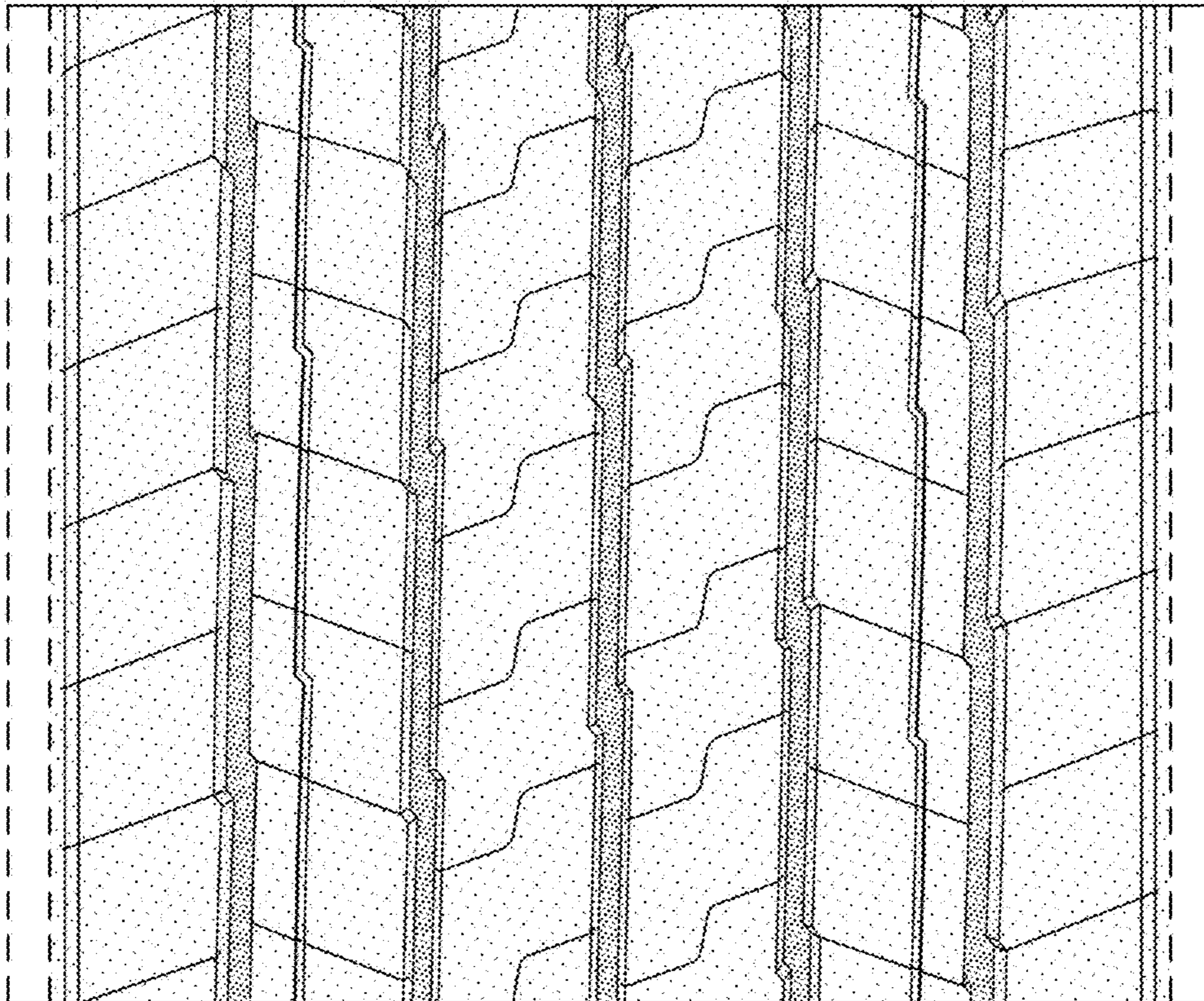


FIG - 4



FIG - 5

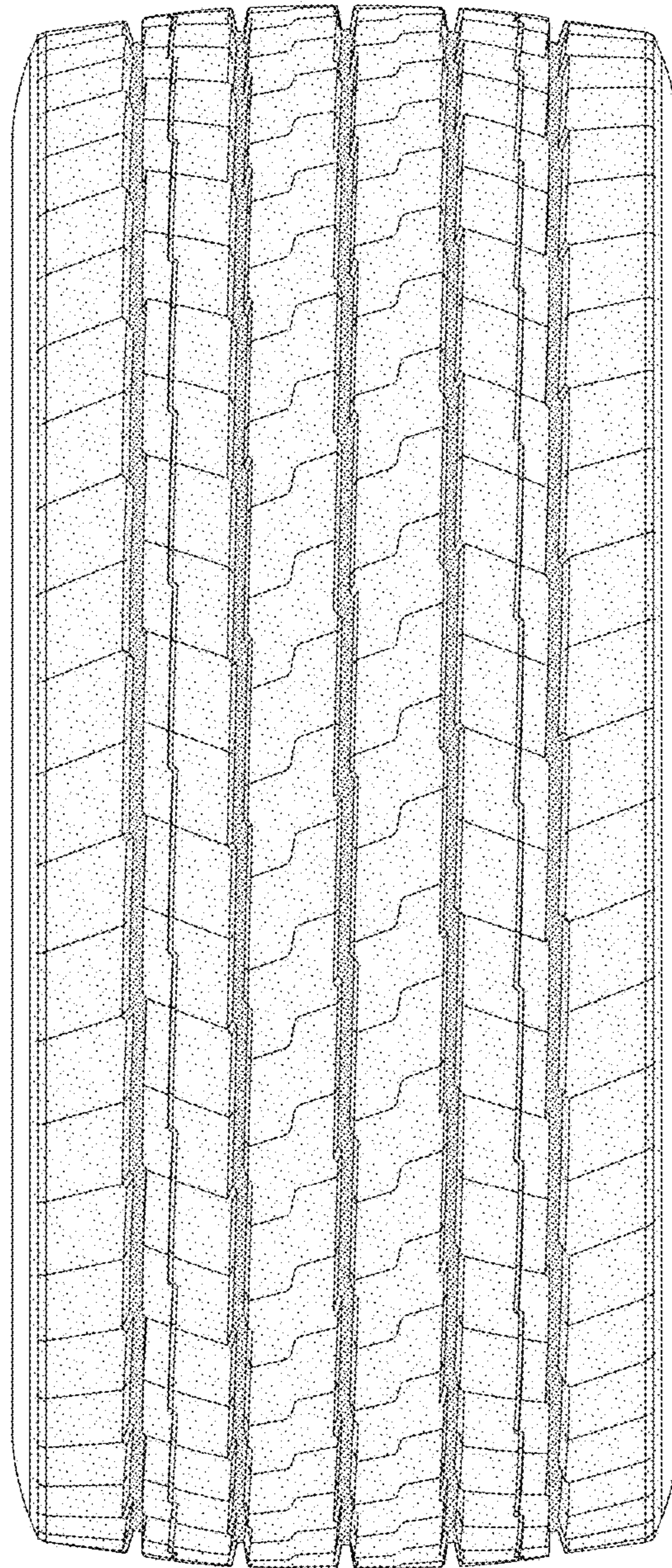


FIG - 6