



US00D937180S

(12) **United States Design Patent** (10) **Patent No.:** **US D937,180 S**  
**Wu** (45) **Date of Patent:** **\*\* Nov. 30, 2021**

(54) **MOTORCYCLE COVER**  
(71) Applicant: **Shenzhen Pomer Technology Co., Ltd., Guangdong (CN)**  
(72) Inventor: **Wanjia Wu, Guangdong (CN)**  
(73) Assignee: **Shenzhen Pomer Technology Co., Ltd., Guangdong (CN)**  
(\*\*) Term: **15 Years**  
(21) Appl. No.: **29/740,956**  
(22) Filed: **Jul. 8, 2020**  
(51) **LOC (13) Cl.** ..... **12-16**  
(52) **U.S. Cl.**  
USPC ..... **D12/402**  
(58) **Field of Classification Search**  
USPC ..... D12/401-405; D6/610, 611, 601-603, D6/615, 617, 621; D7/332, 334-337  
CPC ..... B65D 85/68; B65D 31/16; B65D 33/02; B60R 5/04; B60R 5/045; B60P 7/04  
See application file for complete search history.

(56) **References Cited**  
U.S. PATENT DOCUMENTS  
D373,753 S \* 9/1996 Ferguson ..... D12/402  
D393,445 S \* 4/1998 Nicholson ..... D12/402  
D468,257 S \* 1/2003 Roby ..... D12/402  
D588,978 S \* 3/2009 Powers ..... D12/402  
D626,060 S \* 10/2010 Rians ..... D12/402

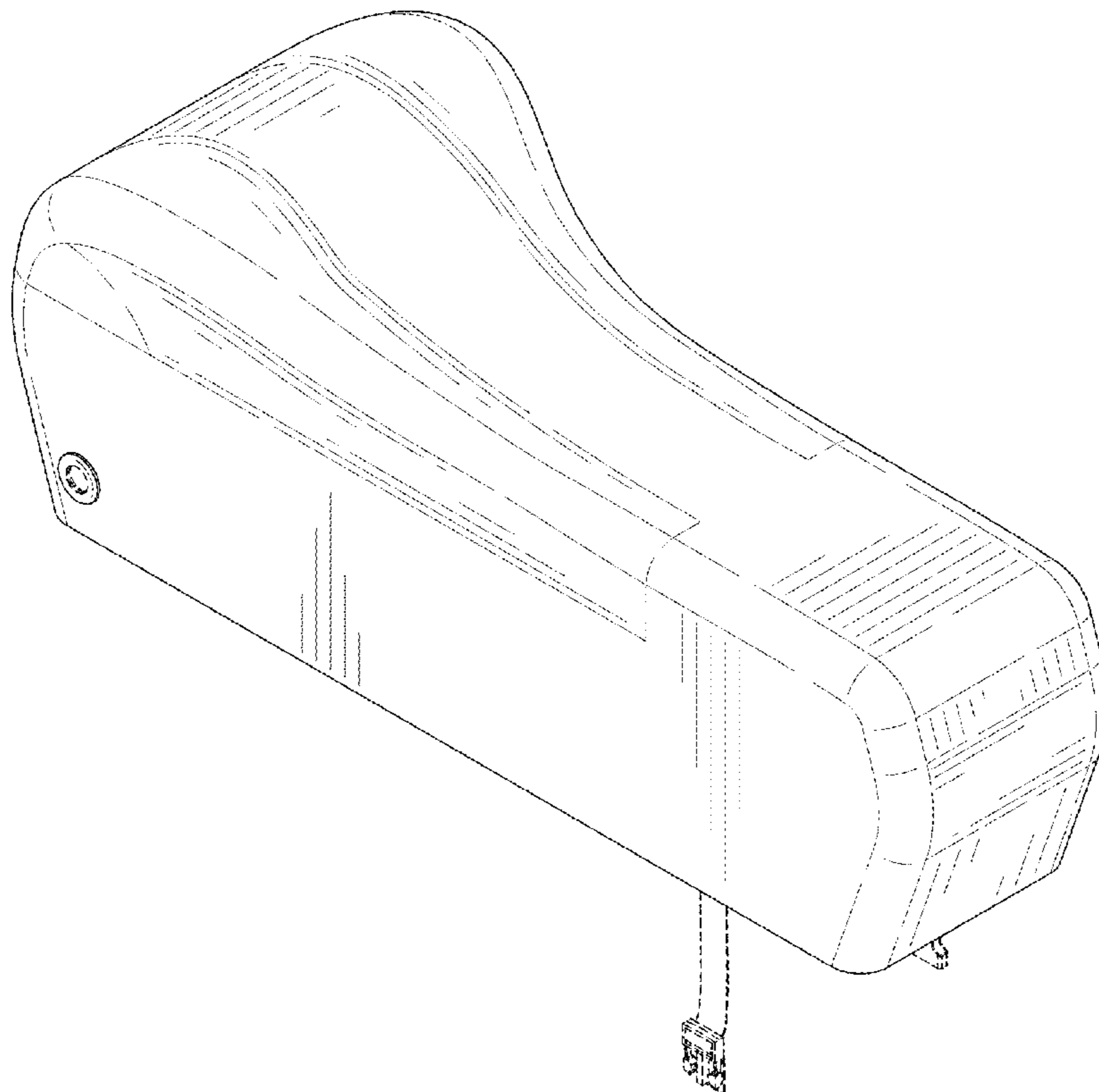
D688,619 S \* 8/2013 Camara ..... D12/402  
D723,451 S \* 3/2015 Depew, Jr. .... D12/402  
D733,034 S \* 6/2015 Mickevics ..... D12/402  
D833,956 S \* 11/2018 Xiao ..... D12/402  
D872,005 S \* 1/2020 Boyd ..... D12/402  
D879,011 S \* 3/2020 Bajars ..... D12/402  
2005/0247387 A1\* 11/2005 Hooker ..... B65D 85/68  
150/167  
2019/0241226 A1\* 8/2019 Forshaw ..... B62J 19/00  
\* cited by examiner

*Primary Examiner* — Katrina A Betton  
(74) *Attorney, Agent, or Firm* — ScienBiziP, P.C.

(57) **CLAIM**  
The ornamental design for a motorcycle cover, as shown and described.

**DESCRIPTION**  
FIG. 1 is a front and top perspective view of a motorcycle cover, showing my design.  
FIG. 2 is a rear and bottom perspective view thereof.  
FIG. 3 is a top plan view thereof.  
FIG. 4 is a bottom plan view thereof.  
FIG. 5 is a front elevation view thereof.  
FIG. 6 is a rear elevation view thereof.  
FIG. 7 is a left side elevation view thereof; and,  
FIG. 8 is a right side elevation view thereof.  
The broken lines in the drawings depict environmental structure and boundaries and form no part of the claimed design.

**1 Claim, 8 Drawing Sheets**



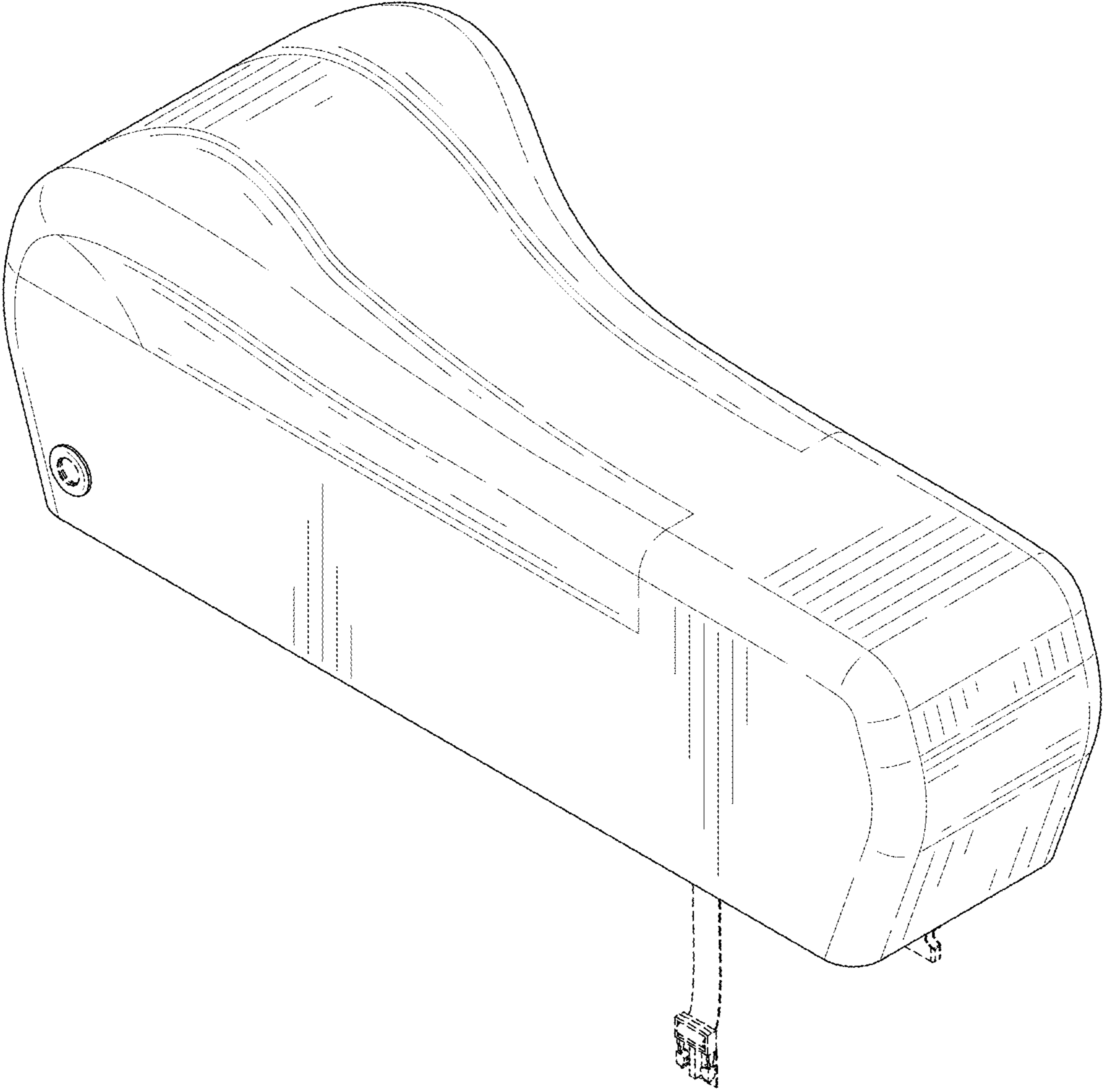


FIG. 1

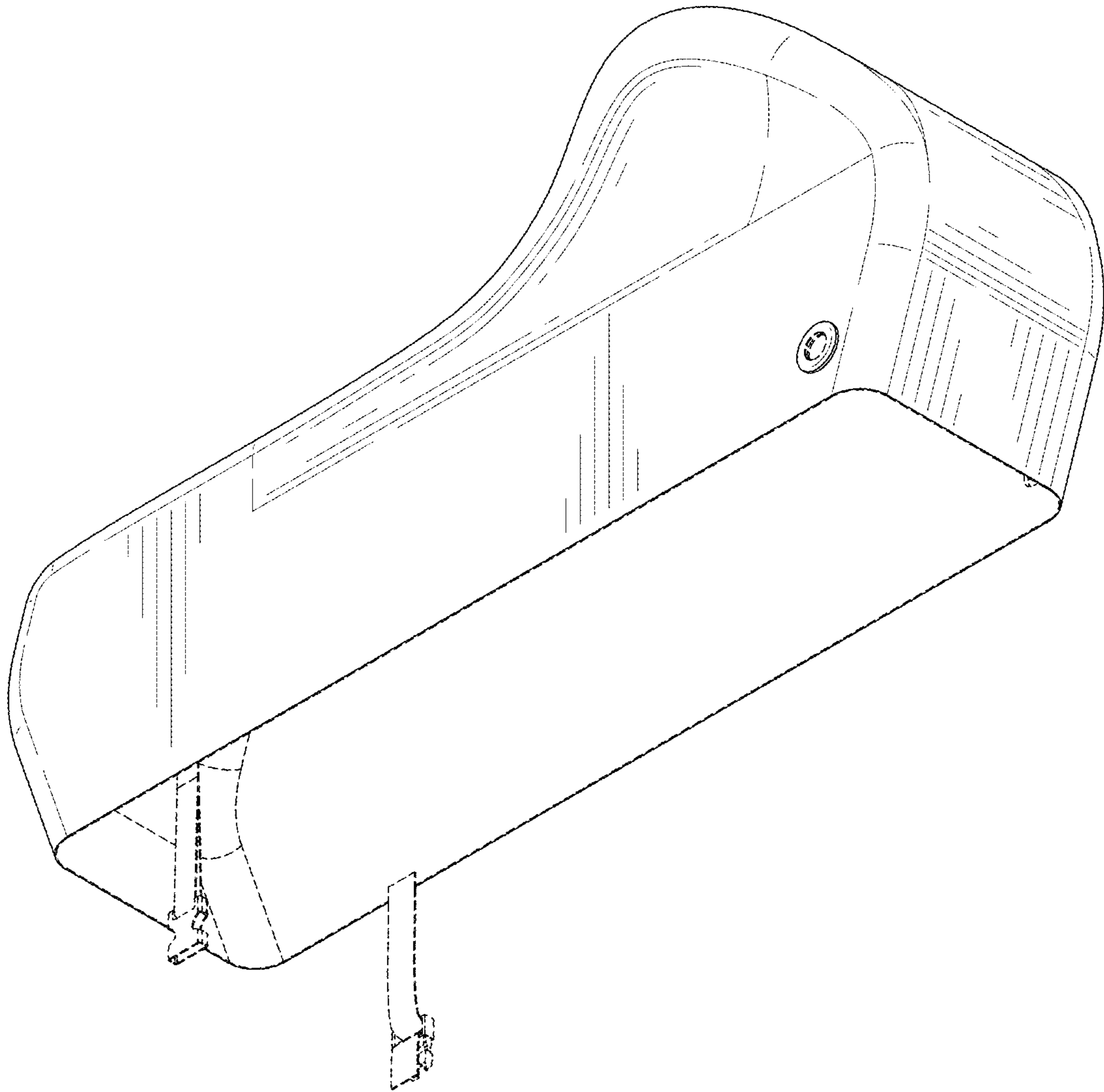


FIG. 2

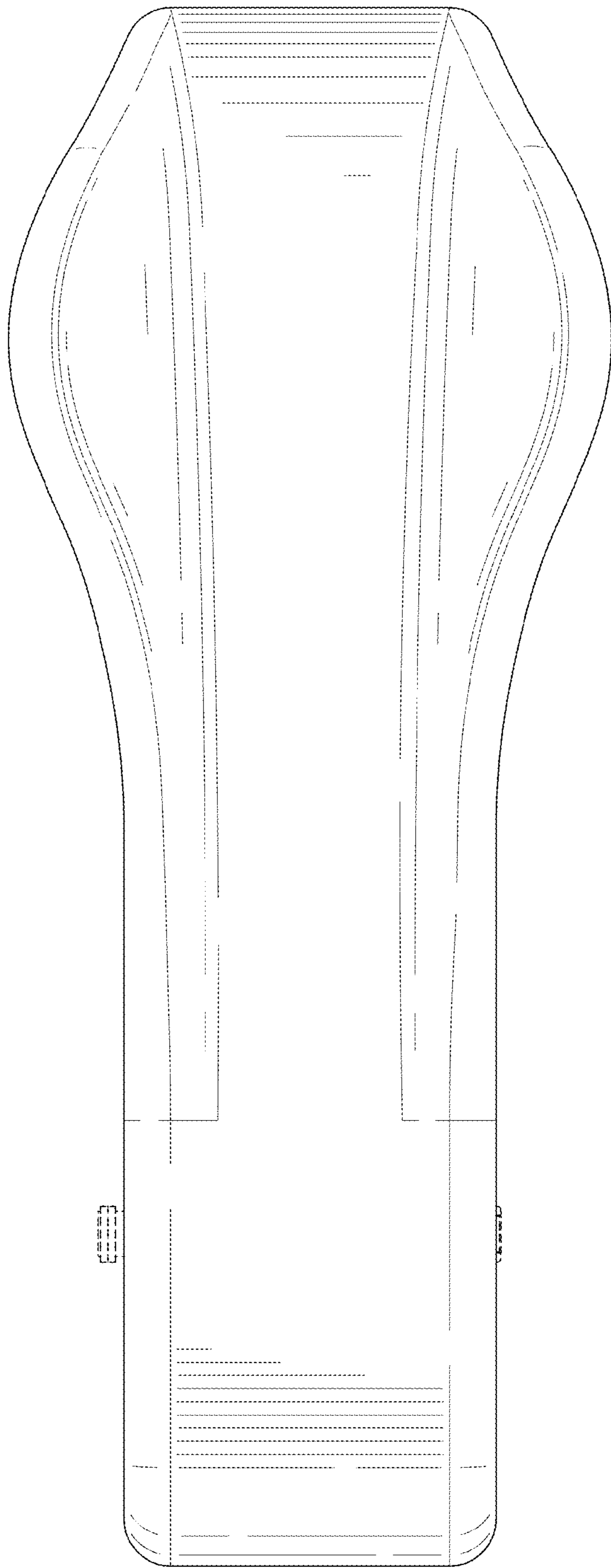


FIG. 3

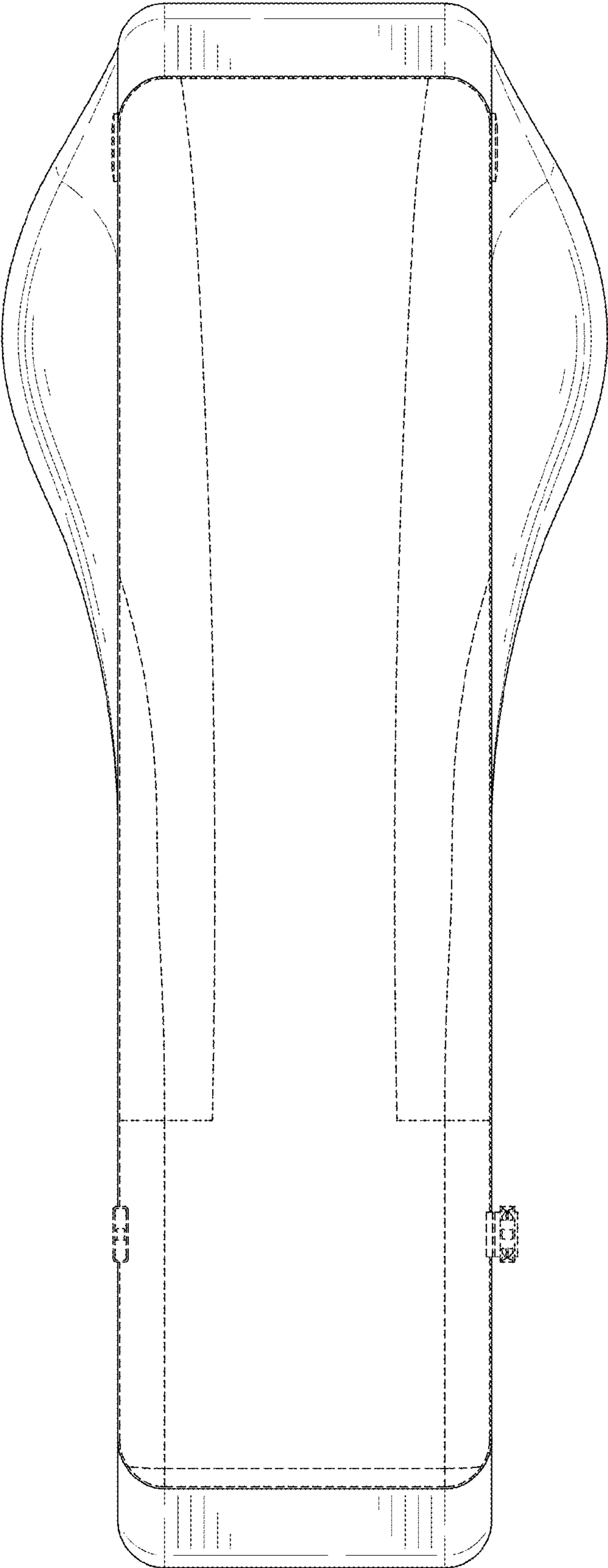


FIG. 4

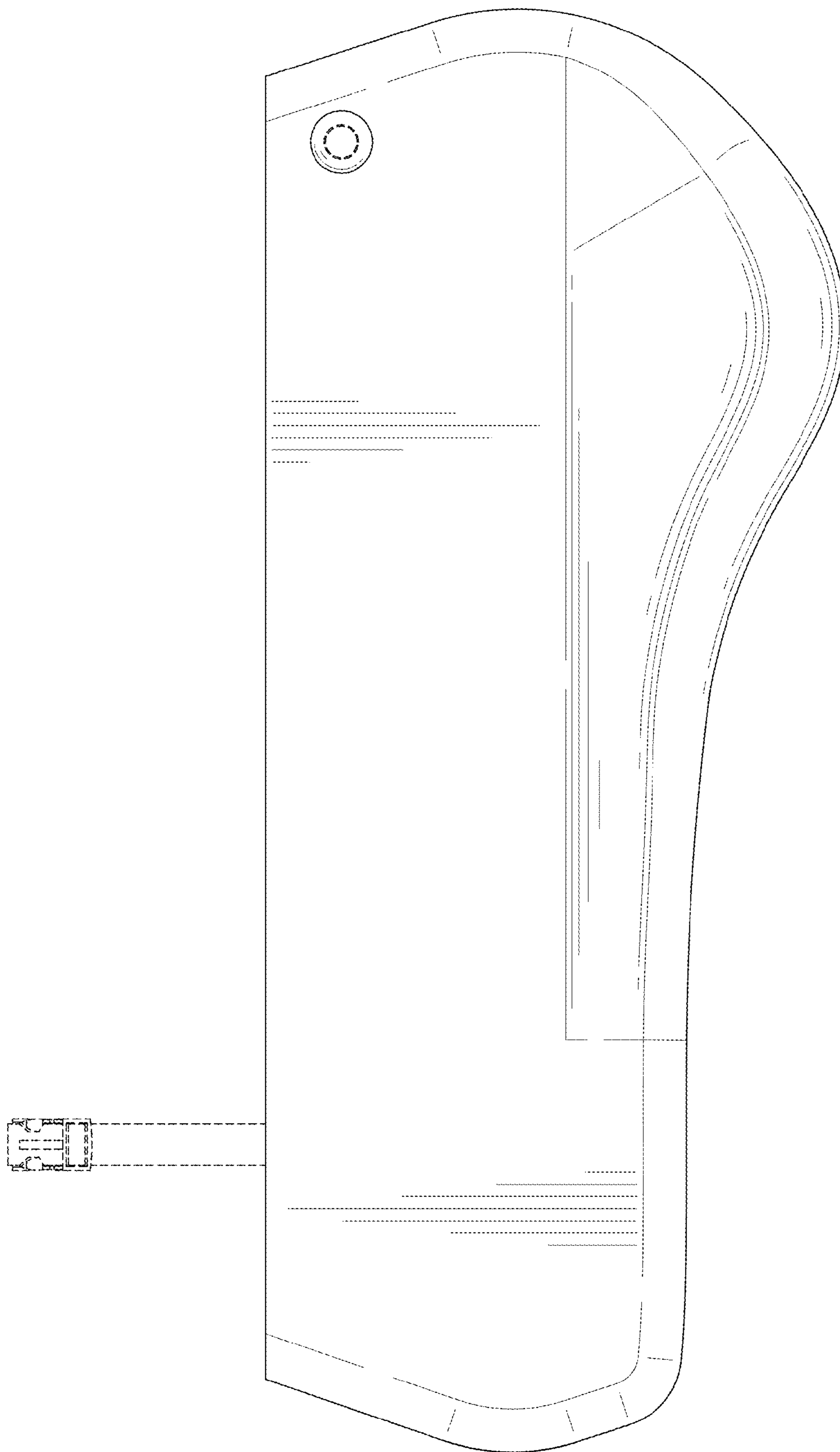


FIG. 5

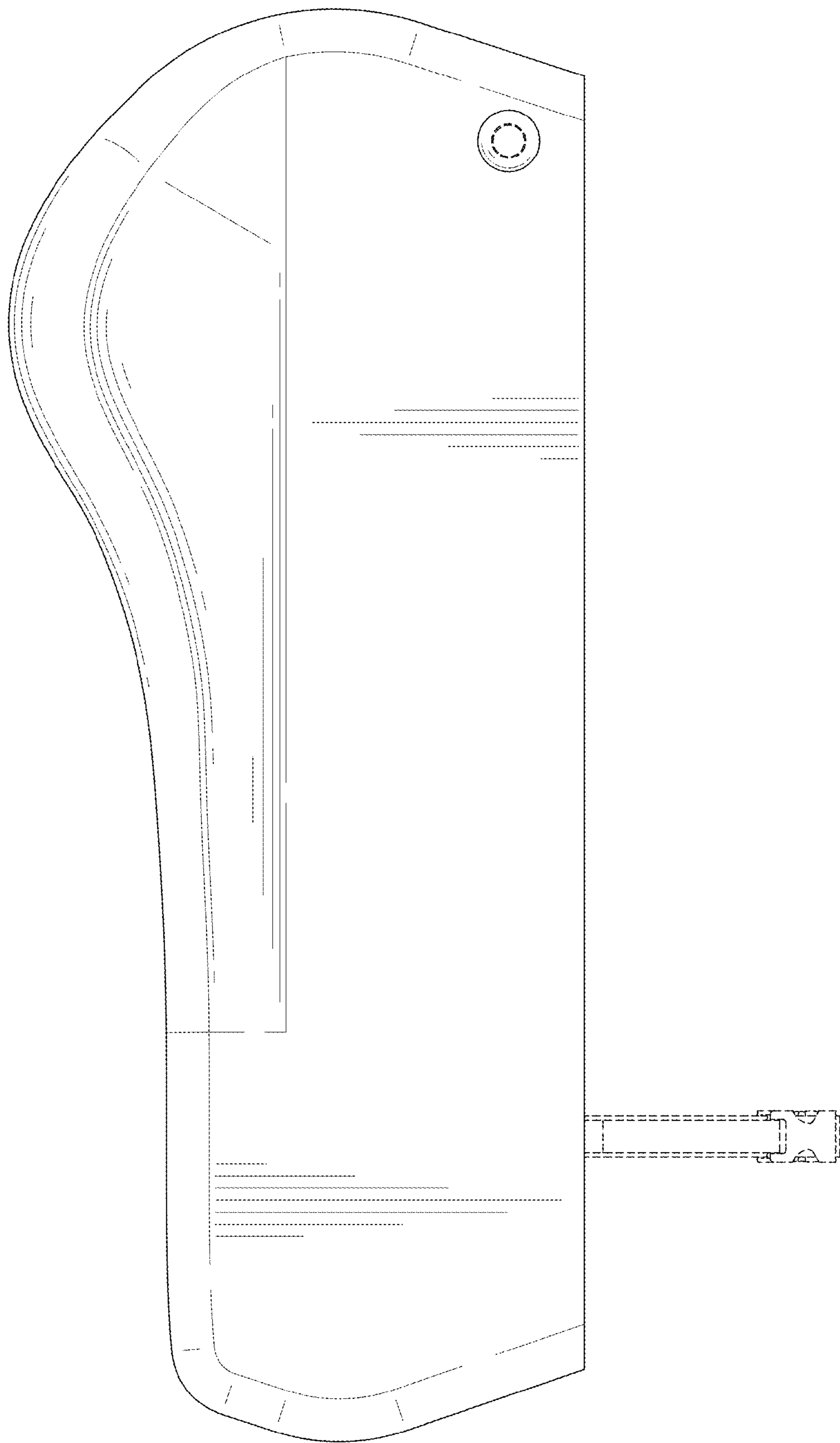


FIG. 6

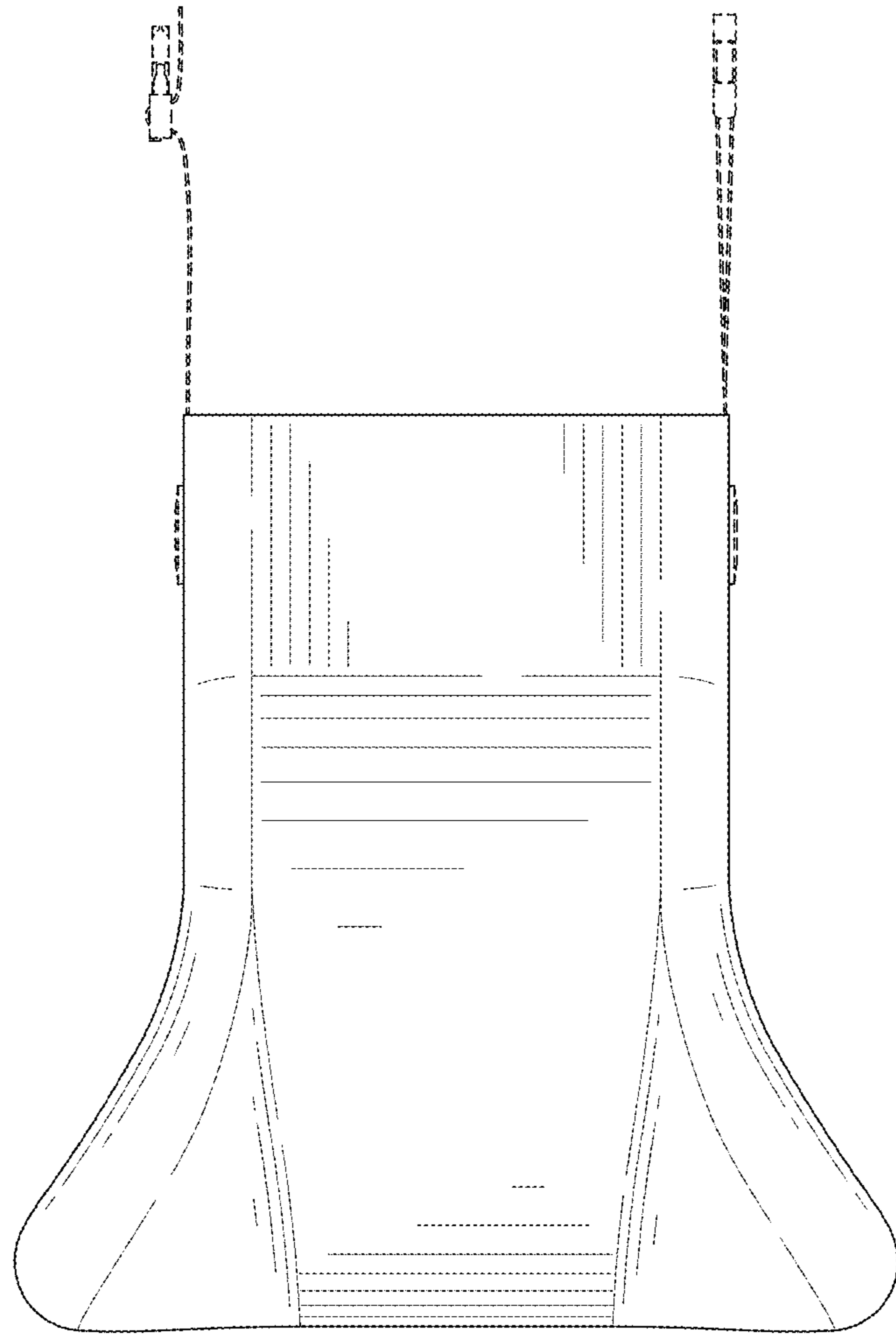


FIG. 7



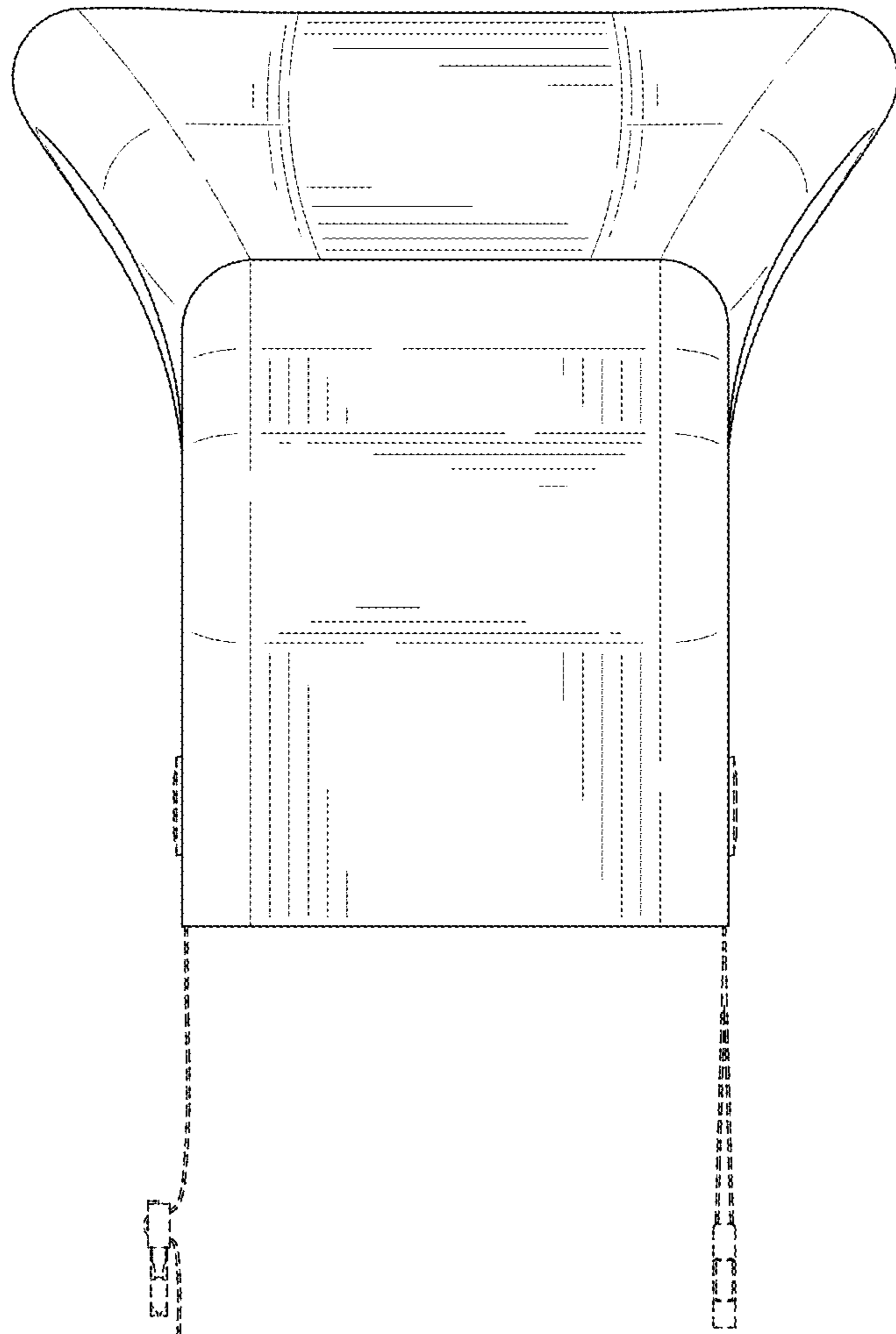


FIG. 8