



US00D937178S

(12) **United States Design Patent**
Gebhardt

(10) **Patent No.:** **US D937,178 S**

(45) **Date of Patent:** **** Nov. 30, 2021**

- (54) **AQUATIC VEHICLE ANCHOR**
- (71) Applicant: **Search And Recovery Engineering LLC, Warrens, WI (US)**
- (72) Inventor: **Nicholas Duane Gebhardt, Warrens, WI (US)**
- (73) Assignee: **Search and Recovery Engineering LLC, Warrens, WI (US)**
- (**) Term: **15 Years**
- (21) Appl. No.: **29/734,060**
- (22) Filed: **May 8, 2020**
- (51) **LOC (13) Cl.** **12-06**
- (52) **U.S. Cl.**
USPC **D12/215**
- (58) **Field of Classification Search**
USPC D12/606-607, 604
CPC B63B 21/24; B63B 21/243; B63B 21/32;
B63B 21/34
See application file for complete search history.

(56) **References Cited**

U.S. PATENT DOCUMENTS

D259,781 S *	7/1981	Holmes	D12/215
D259,931 S *	7/1981	Wentz	D12/215
D280,193 S *	8/1985	Spanner	D12/215
D290,947 S *	7/1987	Albertini	D12/215
4,708,086 A *	11/1987	Brown, Jr.	B63B 21/29 114/294
D303,368 S *	9/1989	Claesson	D12/215
D306,424 S *	3/1990	Bruce	D12/215
D311,161 S *	10/1990	Shindlebower	D12/215
D347,206 S *	5/1994	Smith	D12/215
D383,724 S *	9/1997	Ireland	D12/215
D397,666 S *	9/1998	Al-Sabah	D12/215
D417,858 S *	12/1999	Al-Sabah	D12/215
D444,440 S *	7/2001	Peabody	D12/215
D452,471 S *	12/2001	Hoareau	D12/215

D453,915 S *	2/2002	Goodsell	D12/215
6,550,412 B1 *	4/2003	Pimentel	B63B 21/42 114/298
D481,001 S *	10/2003	Gaudron	D12/215
D556,666 S *	12/2007	Mair	D12/215
D587,182 S *	2/2009	Walton	D12/215
D607,397 S *	1/2010	Tung	D12/215
D684,102 S *	6/2013	Gelb	D12/215
8,869,728 B1 *	10/2014	Paugh	B63B 21/243 114/303
D763,775 S *	8/2016	Wood	D12/215
D792,319 S *	7/2017	B.V.	D12/215

(Continued)

Primary Examiner — Michelle E. Wilson

Assistant Examiner — Clese Moore, Jr.

(74) *Attorney, Agent, or Firm* — Boyle Fredrickson, S.C.

(57) **CLAIM**

The ornamental design for an aquatic vehicle anchor, as shown and described.

DESCRIPTION

FIG. 1 is a first perspective view of an aquatic vehicle anchor;

FIG. 2 is a front elevation view of the aquatic vehicle anchor of FIG. 1;

FIG. 3 is a rear elevation view of the aquatic vehicle anchor of FIGS. 1 and 2;

FIG. 4 is a top plan view of the aquatic vehicle anchor of FIGS. 1-3;

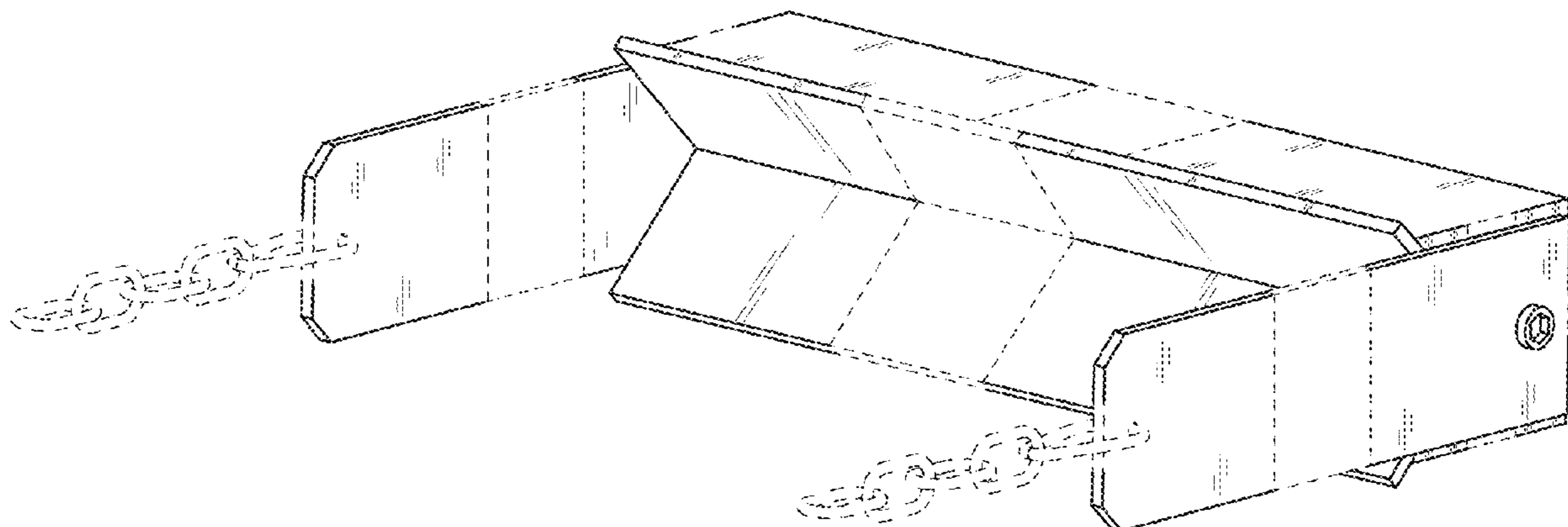
FIG. 5 is a bottom plan view of the aquatic vehicle anchor of FIGS. 1-4;

FIG. 6 is a first side elevation view of the aquatic vehicle anchor of FIGS. 1-5; and,

FIG. 7 is a second side elevation view of the aquatic vehicle anchor of FIGS. 1-6.

The broken lines in the figures illustrate environmental structures and portions of the design that form no part of the claimed design.

1 Claim, 6 Drawing Sheets



(56)

References Cited

U.S. PATENT DOCUMENTS

D840,904 S * 2/2019 Moore D12/215
2008/0314305 A1 * 12/2008 Bryant B63B 21/40
114/304

* cited by examiner

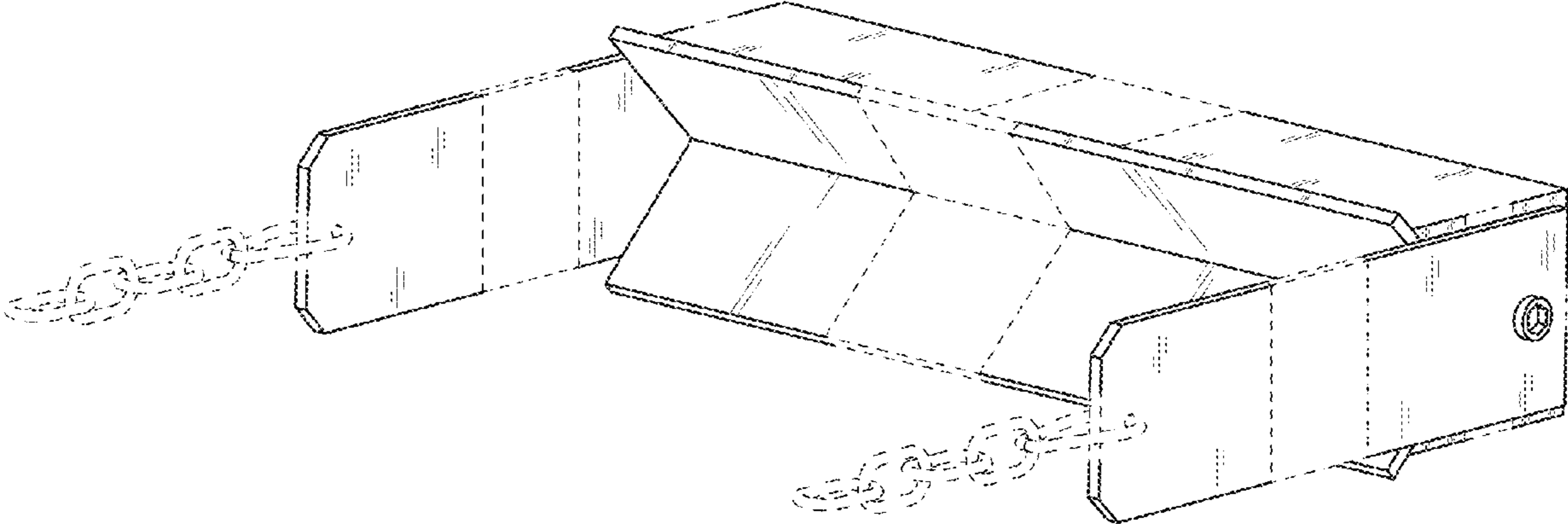


FIG. 1

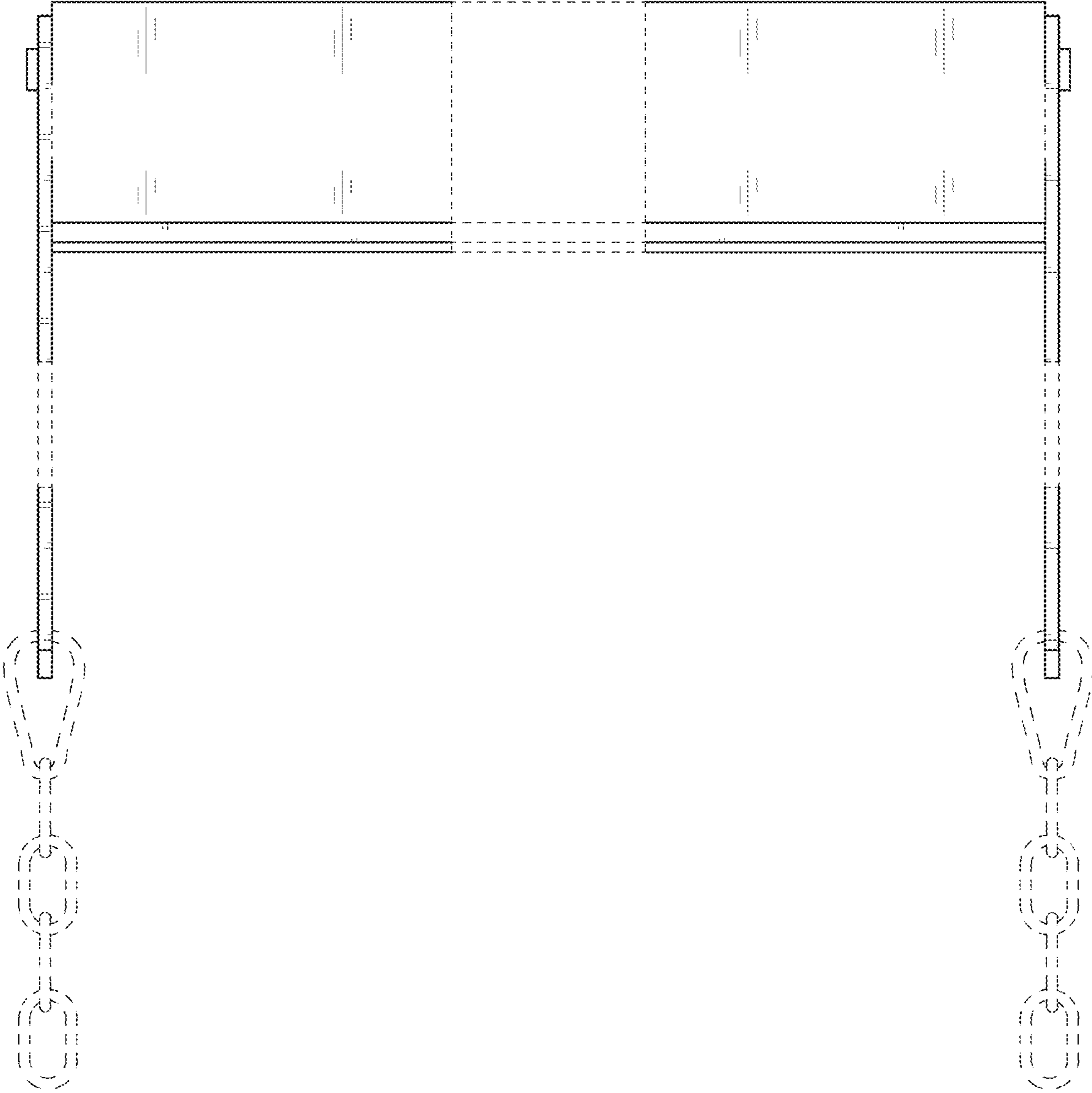


FIG. 2

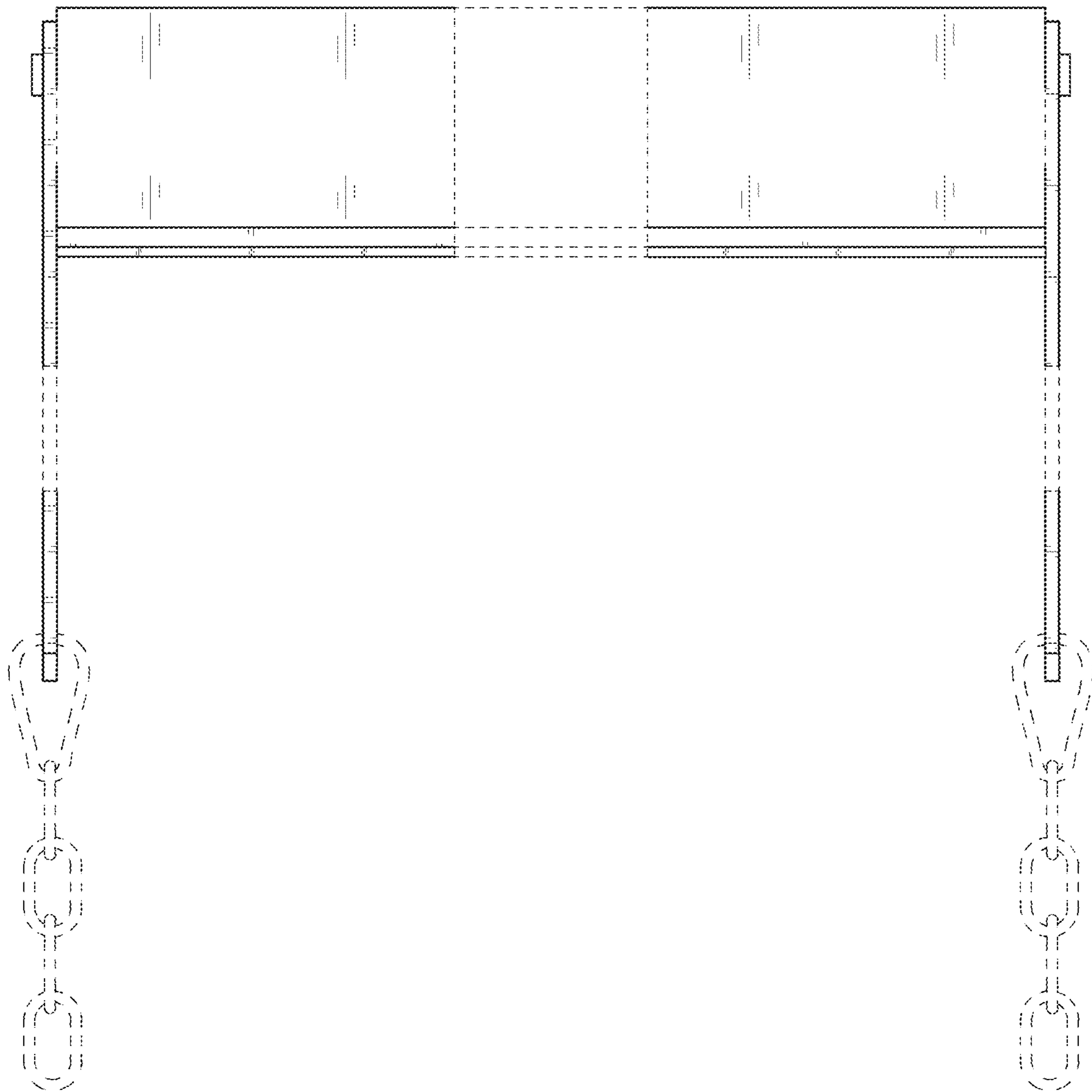


FIG. 3

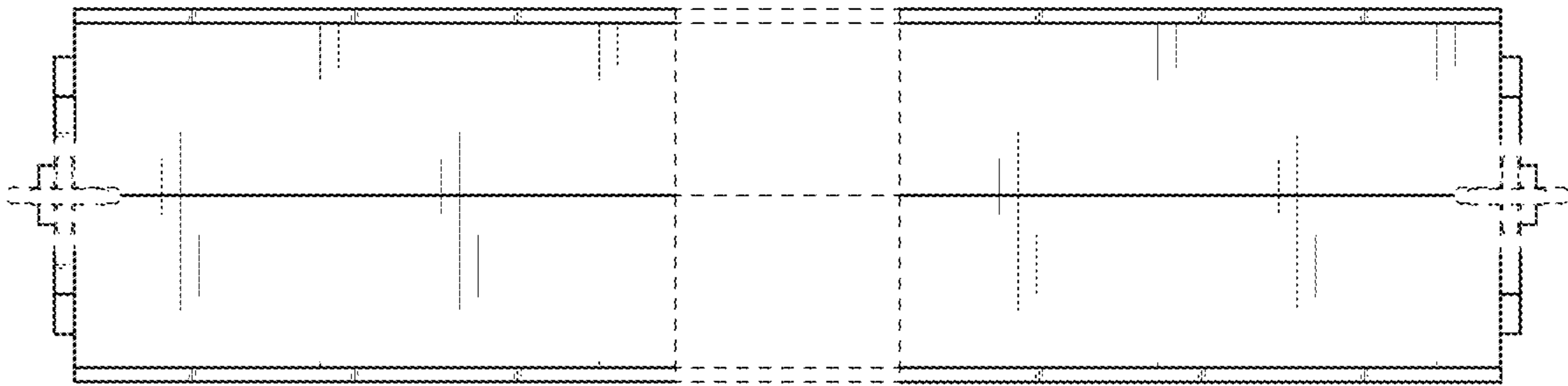


FIG. 4

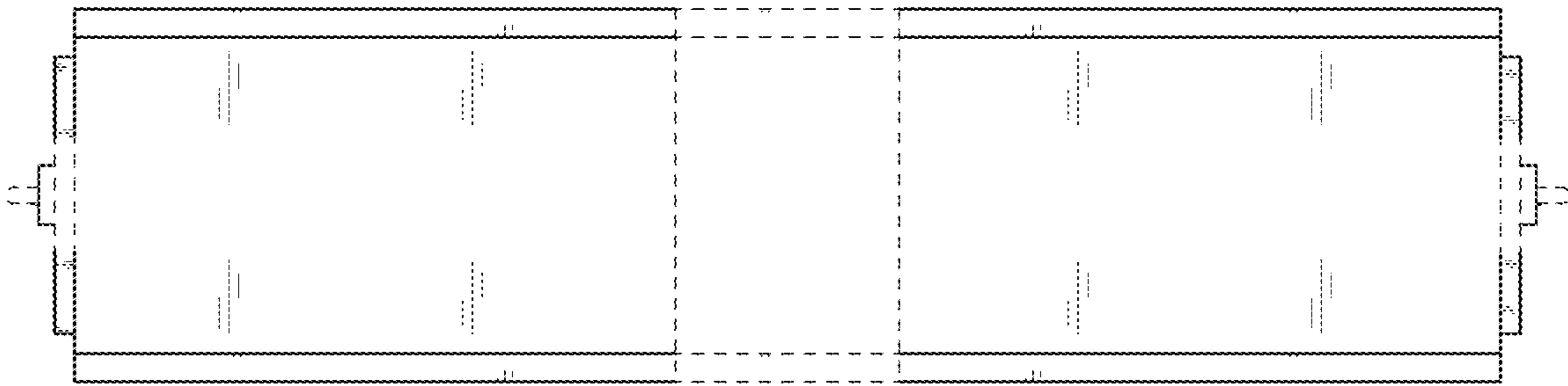


FIG. 5

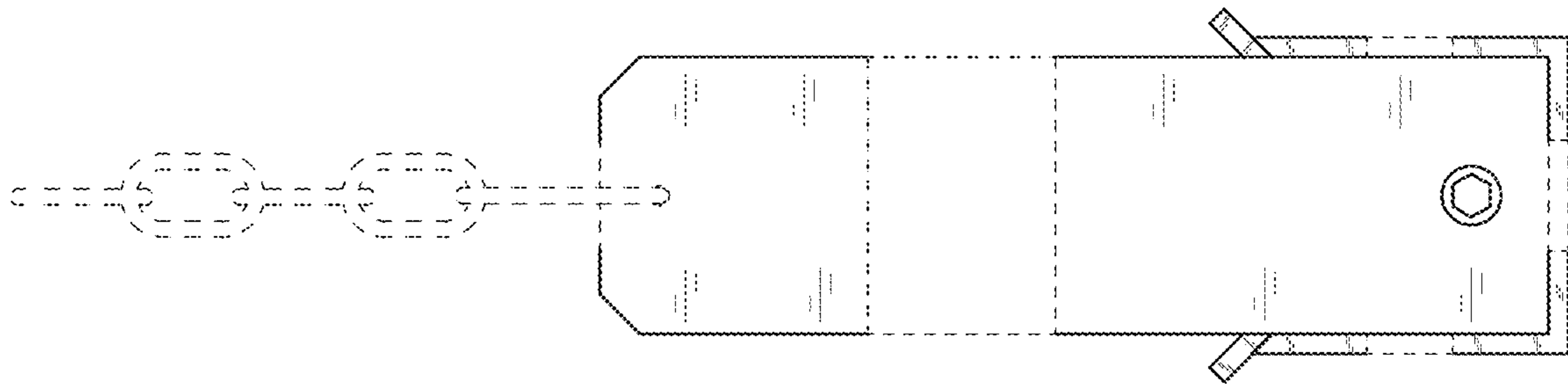


FIG. 6

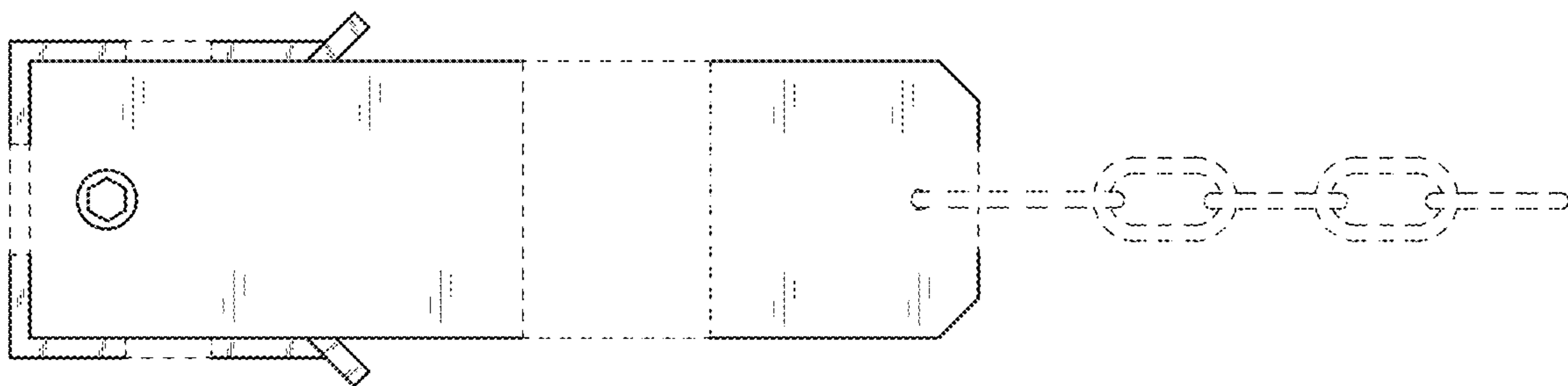


FIG. 7