

US00D937174S

(12) **United States Design Patent**
Patel

(10) **Patent No.:** **US D937,174 S**

(45) **Date of Patent:** **** Nov. 30, 2021**

(54) **VEHICLE WHEEL**

(71) Applicant: **JAGUAR LAND ROVER LIMITED,**
Coventry (GB)

(72) Inventor: **Paven Patel,** Coventry (GB)

(73) Assignee: **JAGUAR LAND ROVER LIMITED,**
Coventry (GB)

(**) Term: **15 Years**

(21) Appl. No.: **29/745,324**

(22) Filed: **Aug. 5, 2020**

(30) **Foreign Application Priority Data**

Feb. 6, 2020 (EM) 007667720-0004

(51) **LOC (13) Cl.** **12-16**

(52) **U.S. Cl.**
USPC **D12/209; D21/563**

(58) **Field of Classification Search**
USPC D12/204–213; D21/563
CPC B60B 7/00; B60B 7/02; B60B 7/04; B60B
7/01; B60B 7/06; B60B 3/02; B60B 3/04;
B60B 3/06; B60B 3/10; B60B 1/00;
B60B 1/08; B60B 1/10; B60B 1/12
See application file for complete search history.

(56) **References Cited**

U.S. PATENT DOCUMENTS

D455,991 S *	4/2002	Kaucher	D12/209
D652,361 S *	1/2012	Forschner	D12/209
D665,322 S *	8/2012	Kim	D12/204
D678,163 S *	3/2013	Tirado	D12/209
D685,710 S *	7/2013	Hanaoka	D12/209
D695,184 S *	12/2013	Pollmann	D12/209
D723,989 S *	3/2015	Morikawa	D12/209
D730,799 S *	6/2015	Hans	D12/209

D763,158 S *	8/2016	Hara	D12/209
D768,553 S *	10/2016	Ishii	D12/209
D781,761 S *	3/2017	Lee	D12/209
D788,003 S *	5/2017	Conforzi	D12/209
D792,306 S *	7/2017	Ishigaki	D12/209
D803,131 S *	11/2017	Bridan	D12/209
D803,132 S *	11/2017	Okaji	D12/209
D804,391 S *	12/2017	Ishii	D12/209
D818,411 S *	5/2018	Kawaguchi	D12/209
D818,926 S *	5/2018	Miyazawa	D12/209
D823,224 S *	7/2018	Nakamura	D12/211
D826,826 S *	8/2018	Back	D12/209
D827,545 S *	9/2018	Kawaguchi	D12/209
D835,561 S *	12/2018	Hayashi	D12/209
D848,336 S *	5/2019	Holly	D12/209
D852,705 S *	7/2019	Smith	D12/209
D862,352 S *	10/2019	Bjerke	D12/209
D867,957 S *	11/2019	Kato	D12/209
D877,028 S *	3/2020	Kusunoki	D12/209
D880,395 S *	4/2020	Valencia Pollex	D12/209

(Continued)

Primary Examiner — Stacia A Cadmus

(74) *Attorney, Agent, or Firm* — Reising Ethington P.C.

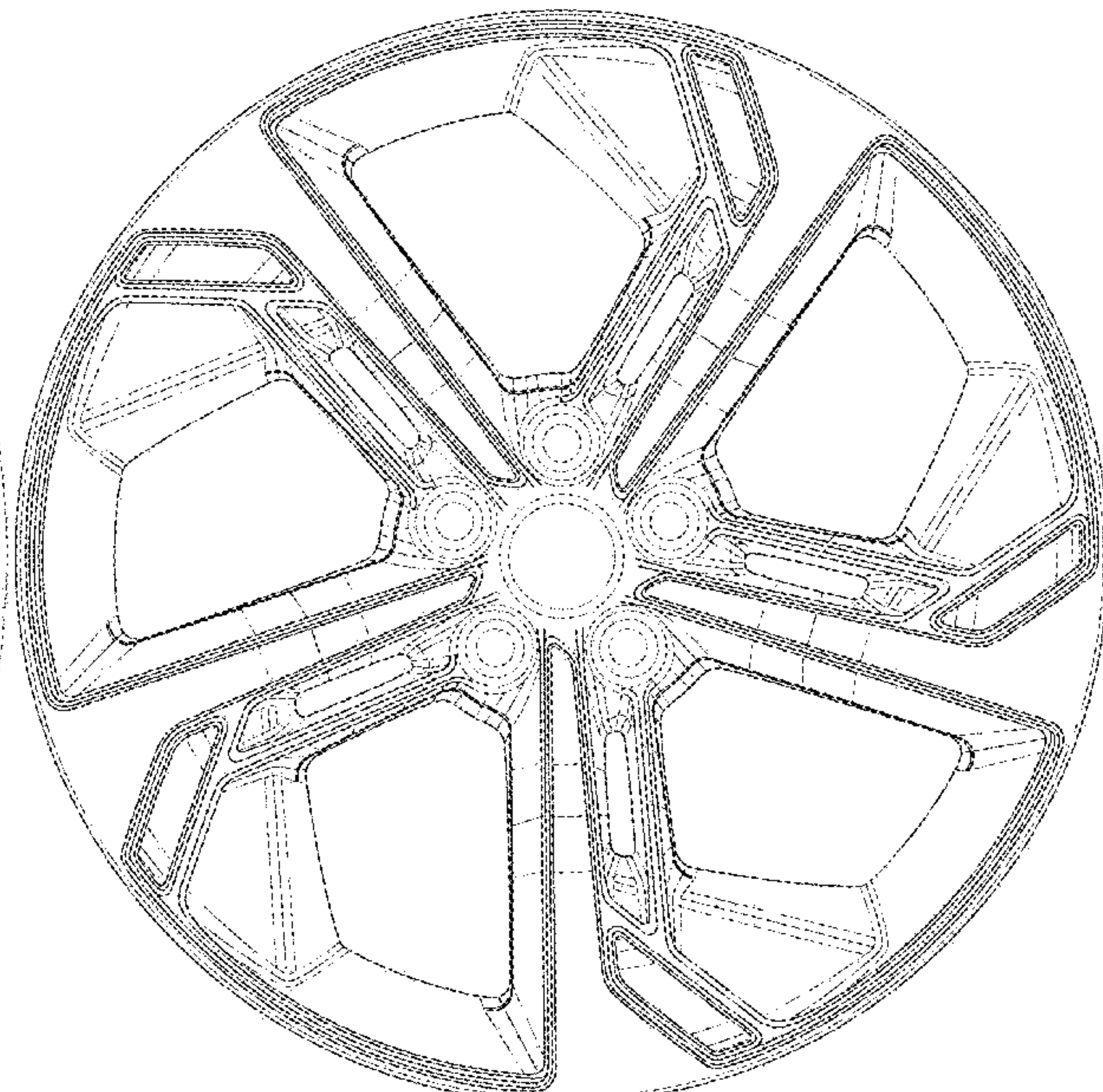
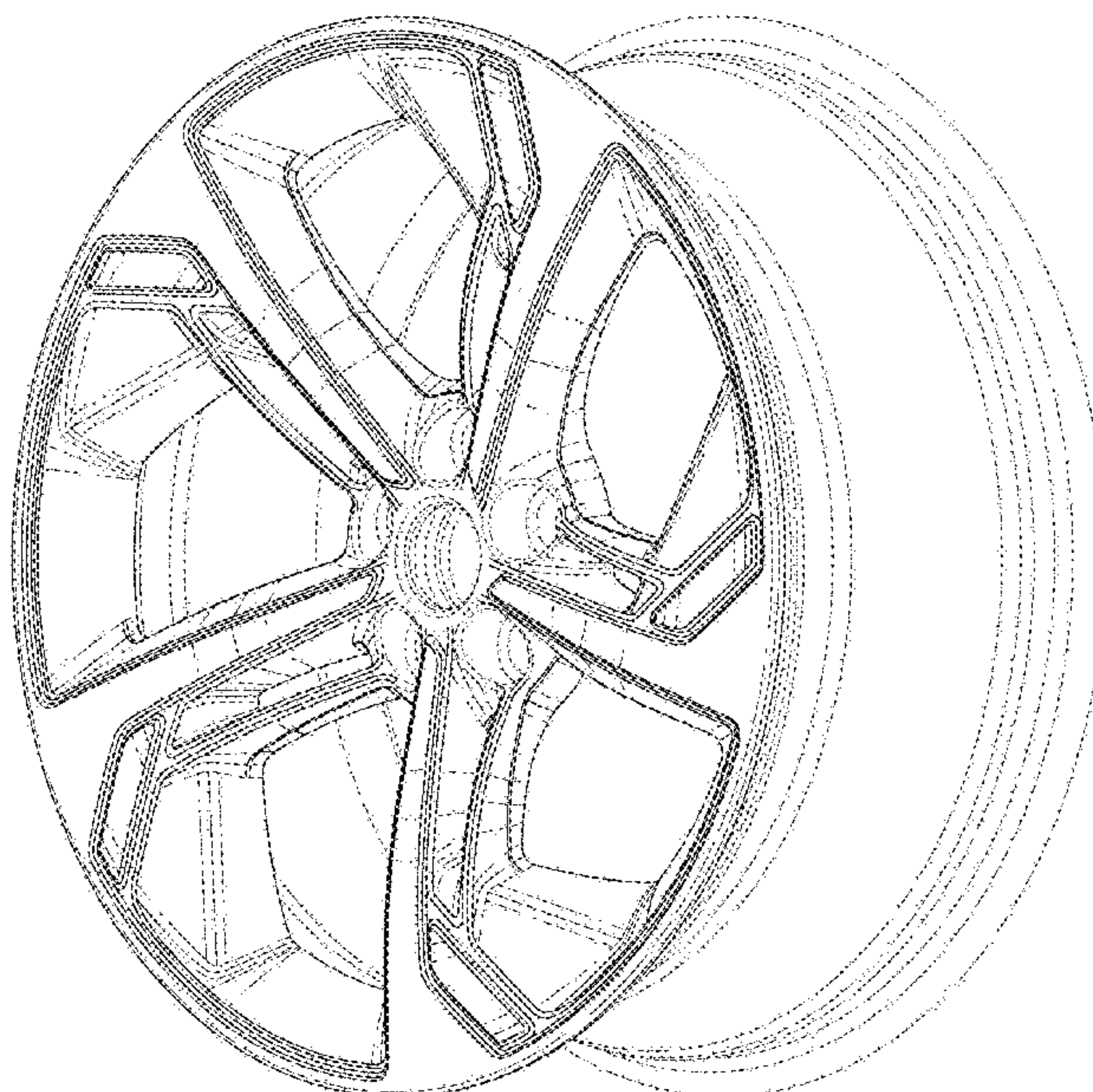
(57) **CLAIM**

The ornamental design for a vehicle wheel, as shown and described.

DESCRIPTION

FIG. 1 is a frontside perspective view of the vehicle wheel;
FIG. 2 is a rearside perspective view thereof;
FIG. 3 is a front view thereof;
FIG. 4 is a rear view thereof;
FIG. 5 is a left side view thereof;
FIG. 6 is a right side view thereof;
FIG. 7 is a top view thereof; and,
FIG. 8 is a bottom view thereof.
The broken lines shown in the drawings depict portions of the vehicle wheel that form no part of the claimed design.

1 Claim, 8 Drawing Sheets



(56)

References Cited

U.S. PATENT DOCUMENTS

D881,782 S *	4/2020	Tomasson	D12/209
D882,483 S *	4/2020	Tomasson	D12/209
D892,014 S *	8/2020	Cenan	D12/209
D896,728 S *	9/2020	Rosello Visa	D12/209
D897,261 S *	9/2020	Valencia Pollex	D12/209
D922,288 S *	6/2021	Piaskowski	D12/209
D922,296 S *	6/2021	Andoh	D12/209

* cited by examiner

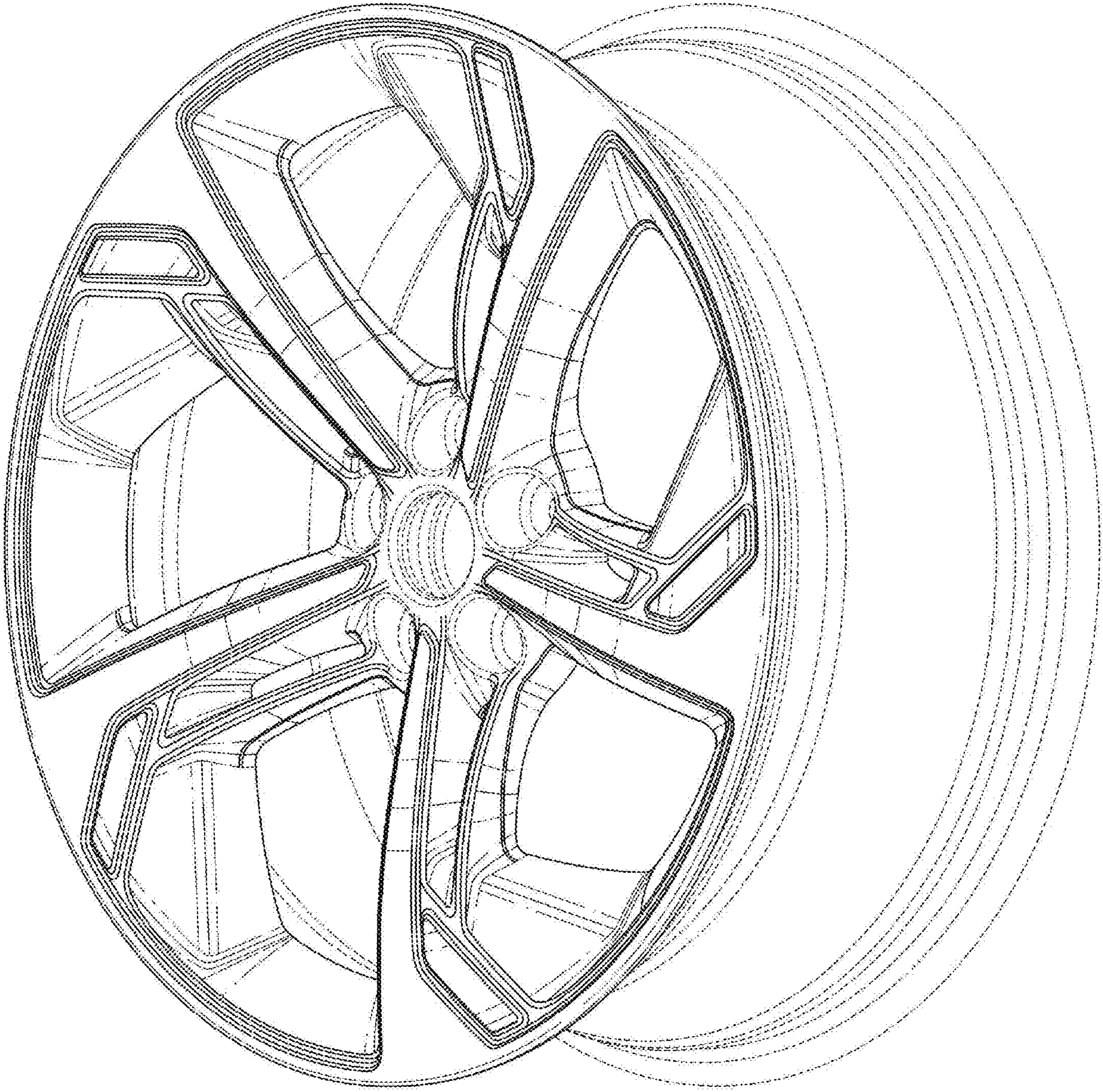


FIG. 1

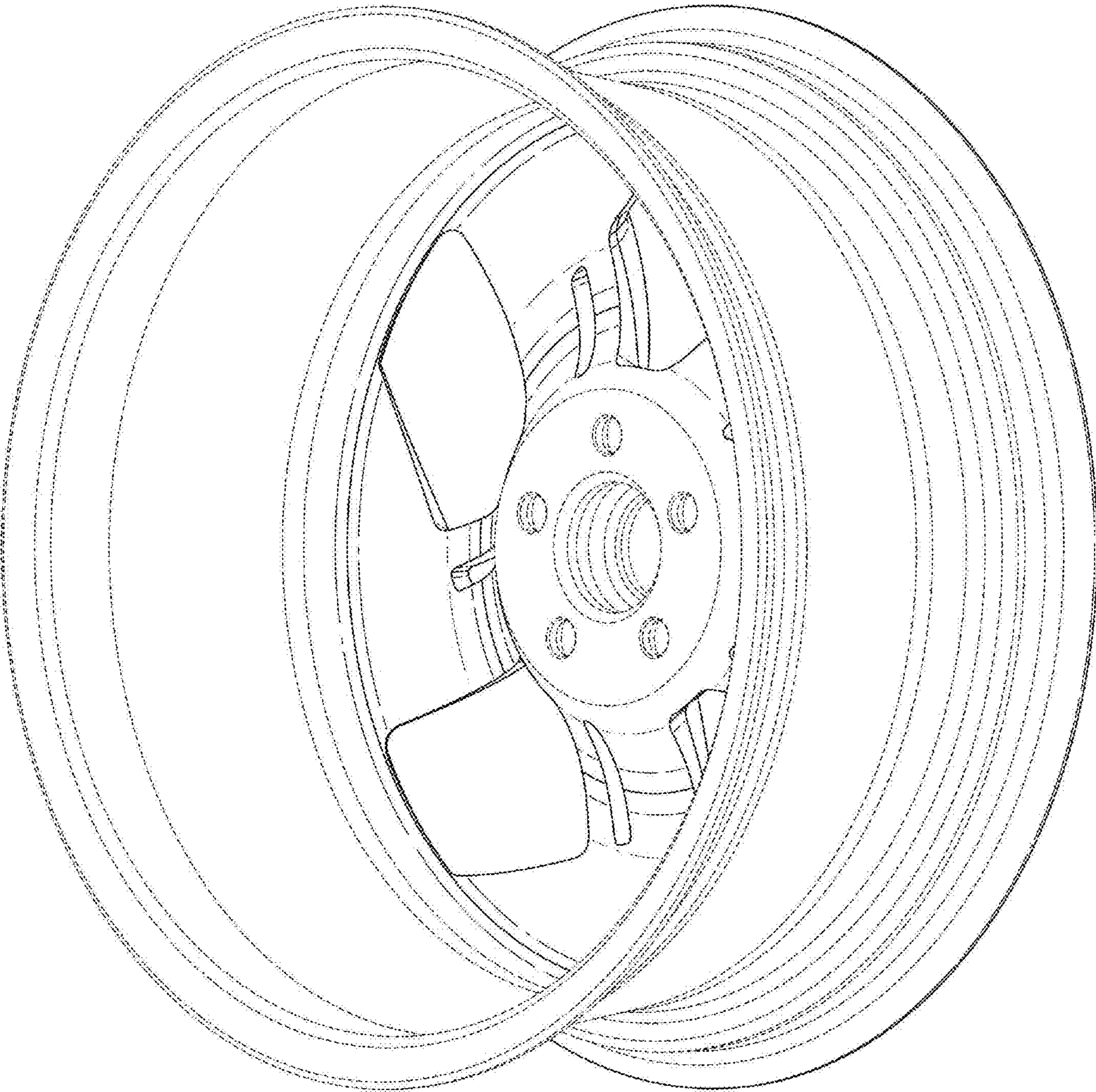


FIG. 2

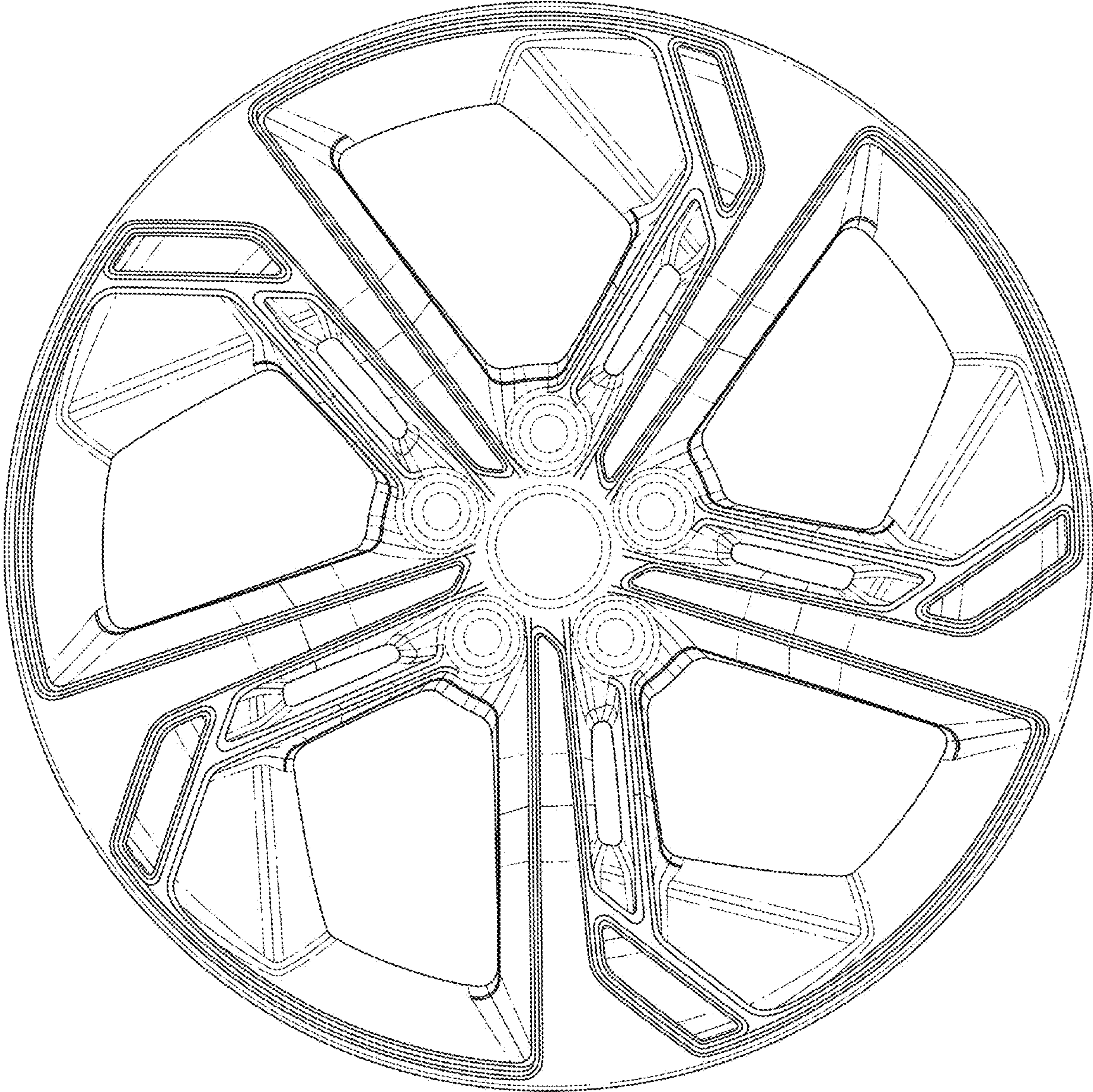


FIG. 3

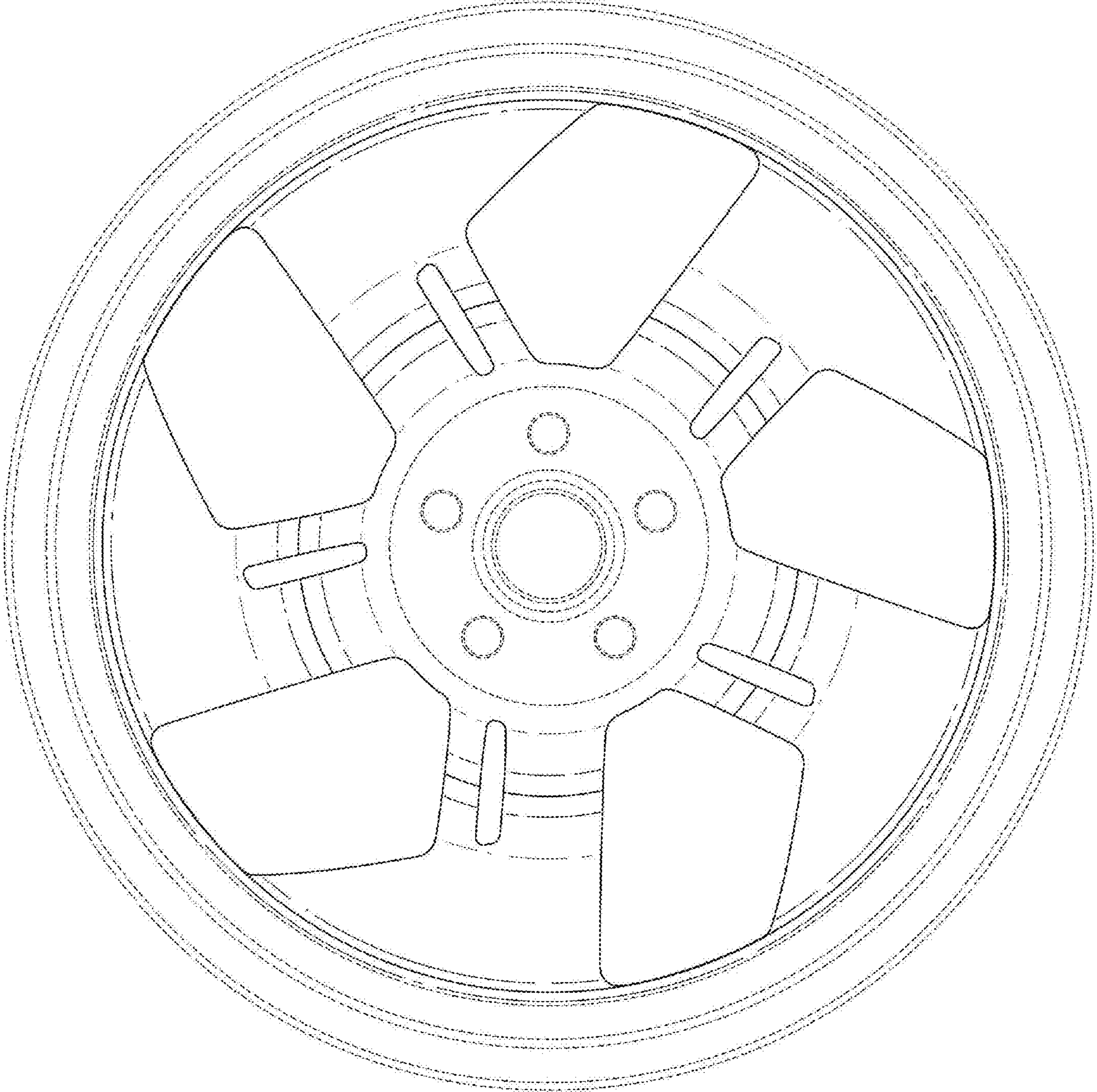


FIG. 4

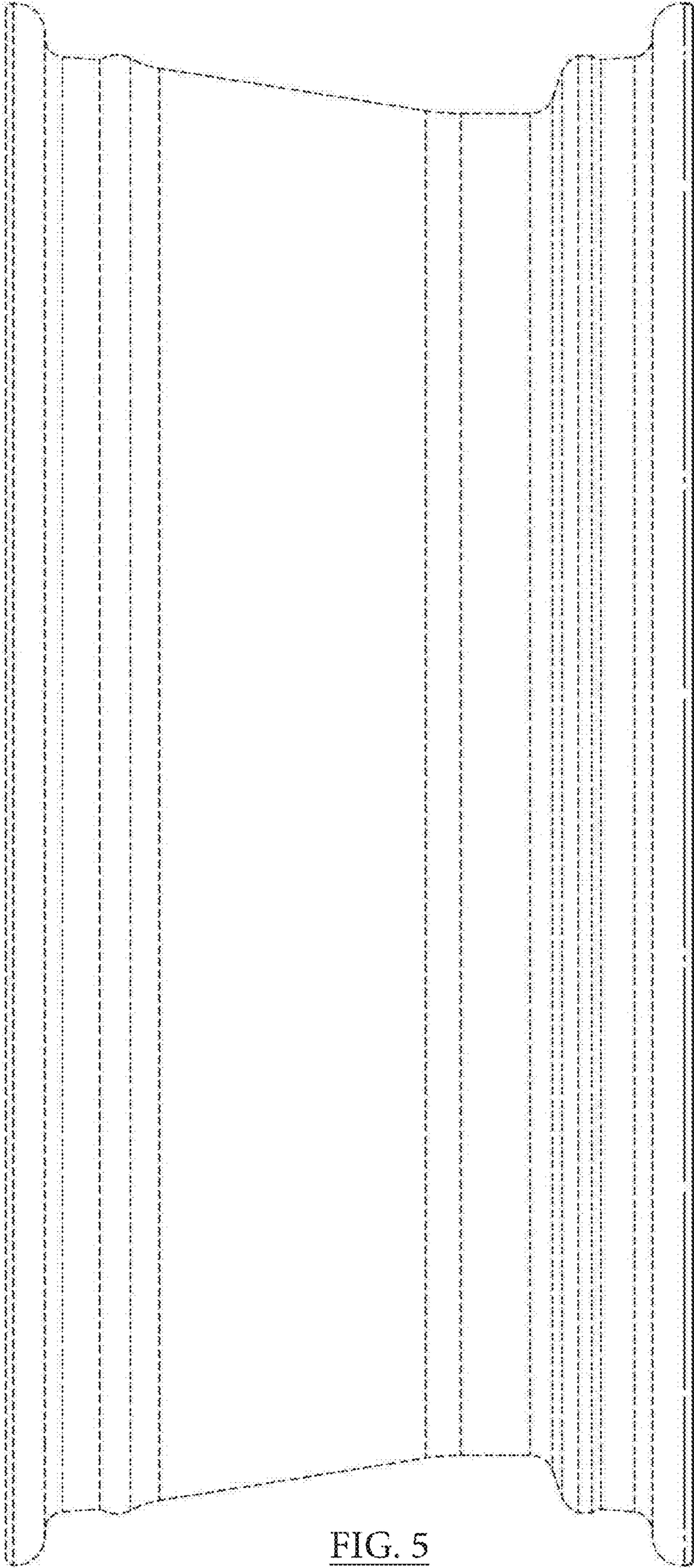


FIG. 5

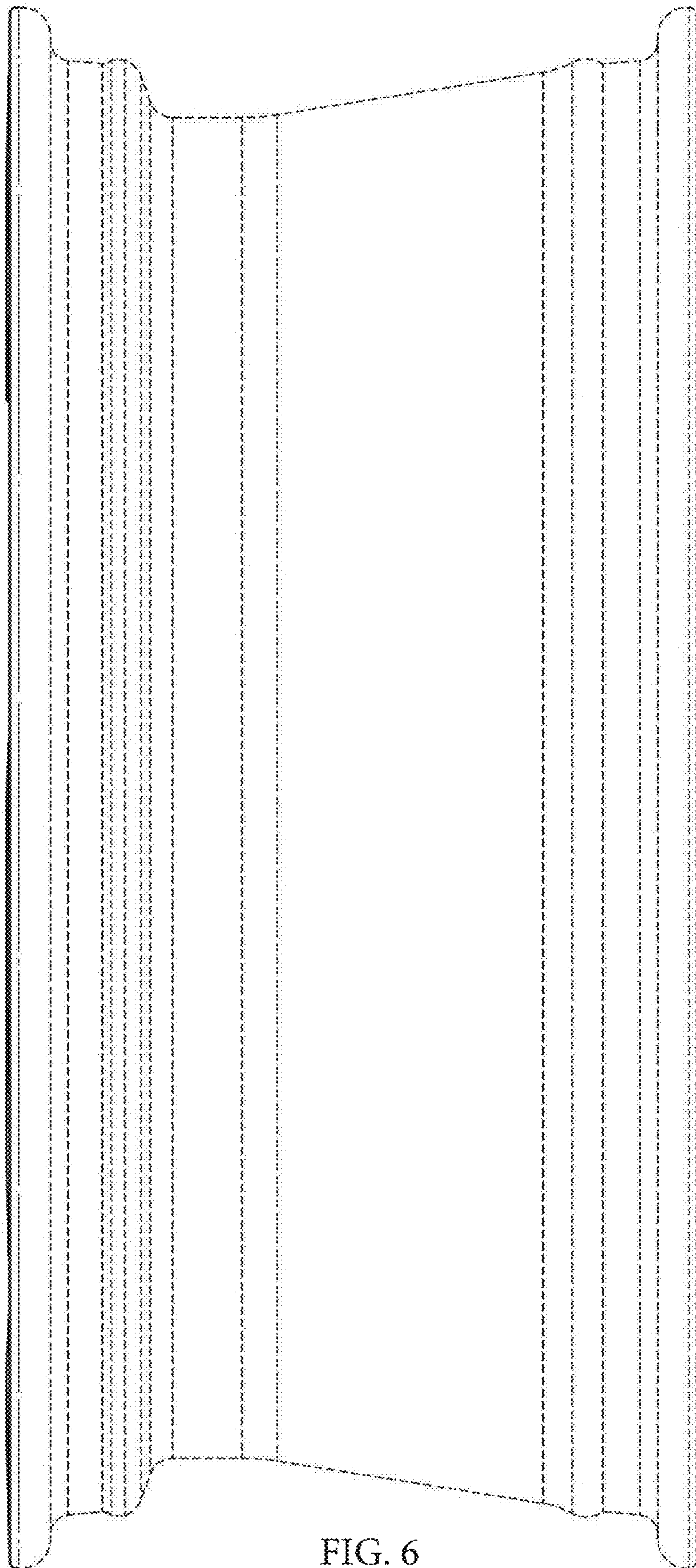


FIG. 6



FIG. 7

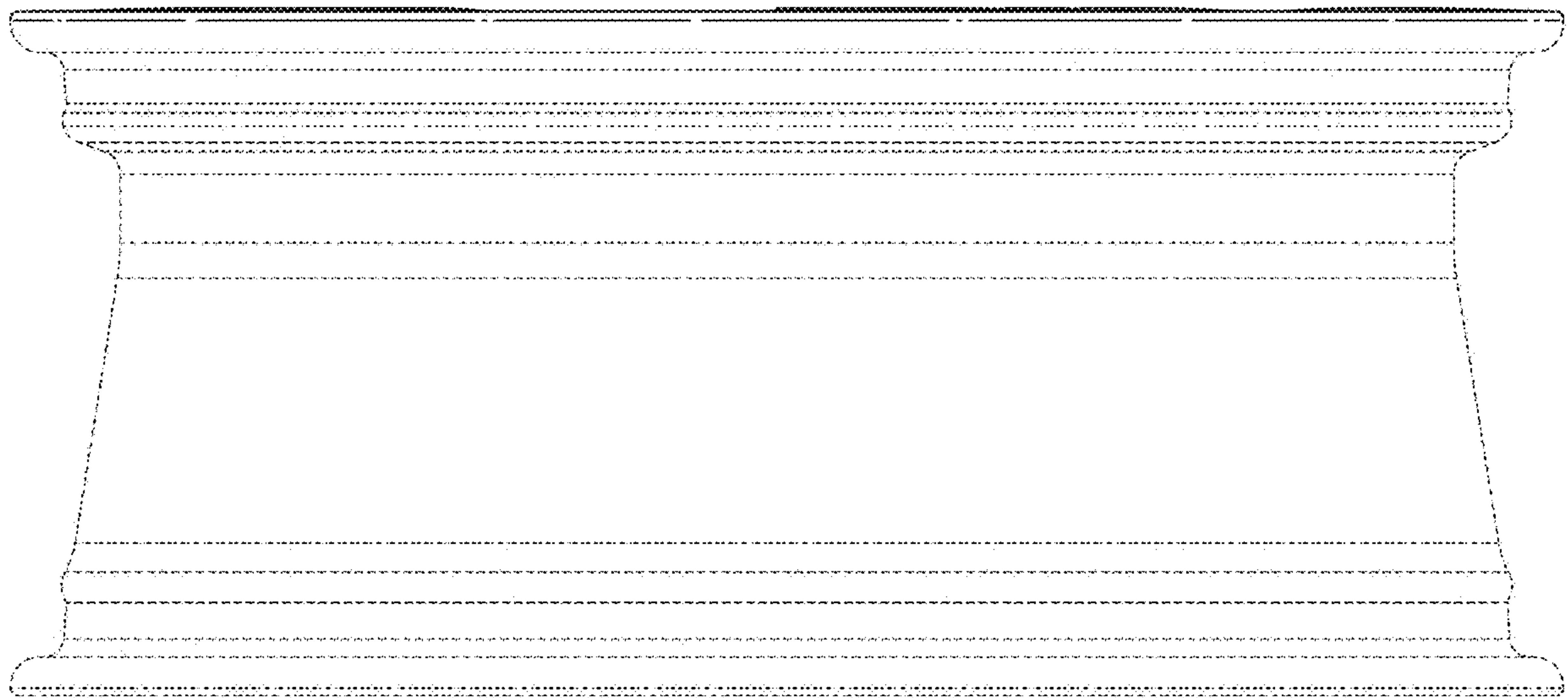


FIG. 8