



US00D937173S

(12) **United States Design Patent** (10) **Patent No.:** **US D937,173 S**
Peat (45) **Date of Patent:** **** Nov. 30, 2021**

(54) **VEHICLE WHEEL**

(71) Applicant: **JAGUAR LAND ROVER LIMITED,**
Coventry (GB)

(72) Inventor: **Anthony Peat,** Coventry (GB)

(73) Assignee: **JAGUAR LAND ROVER LIMITED,**
Coventry (GB)

(**) Term: **15 Years**

(21) Appl. No.: **29/743,690**

(22) Filed: **Jul. 23, 2020**

(30) **Foreign Application Priority Data**

Jan. 24, 2020 (EM) EM007552955-0015

(51) **LOC (13) Cl.** **12-16**

(52) **U.S. Cl.**
USPC **D12/209**

(58) **Field of Classification Search**
USPC D12/204–213; D21/563
CPC B60B 7/00; B60B 7/02; B60B 7/04; B60B
7/01; B60B 7/06; B60B 3/02; B60B 3/04;
B60B 3/06; B60B 3/10; B60B 1/00;
B60B 1/08; B60B 1/10; B60B 1/12
See application file for complete search history.

(56) **References Cited**

U.S. PATENT DOCUMENTS

D375,716 S * 11/1996 Dehner D12/209
D588,517 S * 3/2009 Aroney D12/211
D590,322 S * 4/2009 Rak D12/211
D655,657 S * 3/2012 Juergens D12/209
D678,163 S * 3/2013 Tirado D12/209
D697,861 S * 1/2014 Lemke D12/211
D710,286 S * 8/2014 Yamaguchi D12/209

D730,799 S * 6/2015 Hans D12/209
D746,212 S * 12/2015 Valencia Pollex D12/211
D756,878 S * 5/2016 Valencia Pollex D12/209
D759,566 S * 6/2016 Valencia Pollex D12/211
D791,040 S * 7/2017 Umehara D12/209
D798,217 S * 9/2017 Valencia Pollex D12/211
D823,432 S * 7/2018 Oh D23/209
D843,301 S * 3/2019 Hodges D12/209
D855,536 S * 8/2019 Zhao D12/209
D859,268 S * 9/2019 Rosello Visa D12/209
D867,957 S * 11/2019 Kato D12/209
D877,028 S * 3/2020 Kusunoki D12/209
D879,002 S * 3/2020 Daniel D12/209
D887,941 S * 6/2020 Han D12/209
D897,259 S * 9/2020 Daniel D12/209
D897,261 S * 9/2020 Valencia Pollex D12/209
D899,992 S * 10/2020 Melikian D12/209
D920,209 S * 5/2021 Piaskowski D12/213
D922,296 S * 6/2021 Andoh D12/209

* cited by examiner

Primary Examiner — Stacia A Cadmus

(74) *Attorney, Agent, or Firm* — Reising Ethington P.C.

(57) **CLAIM**

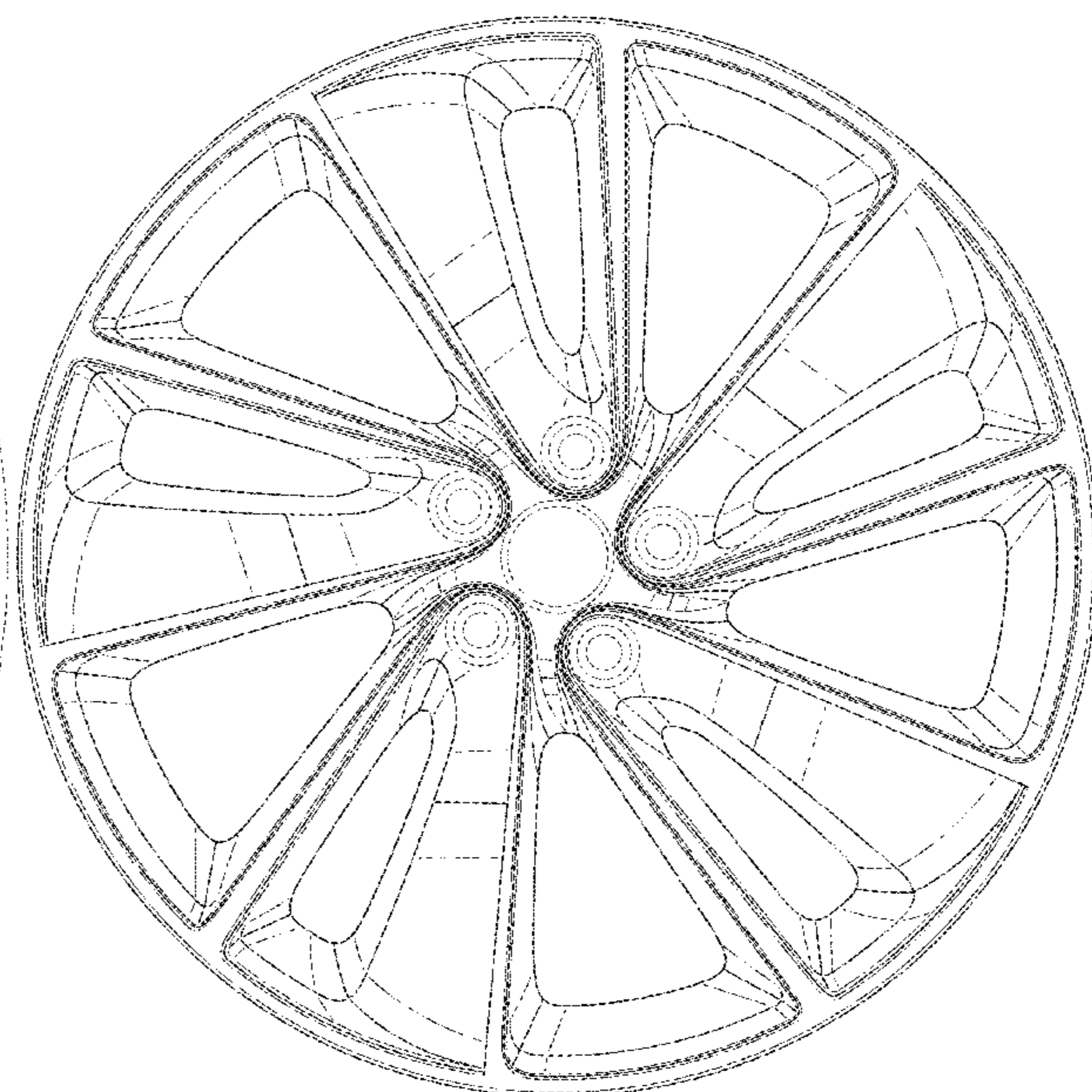
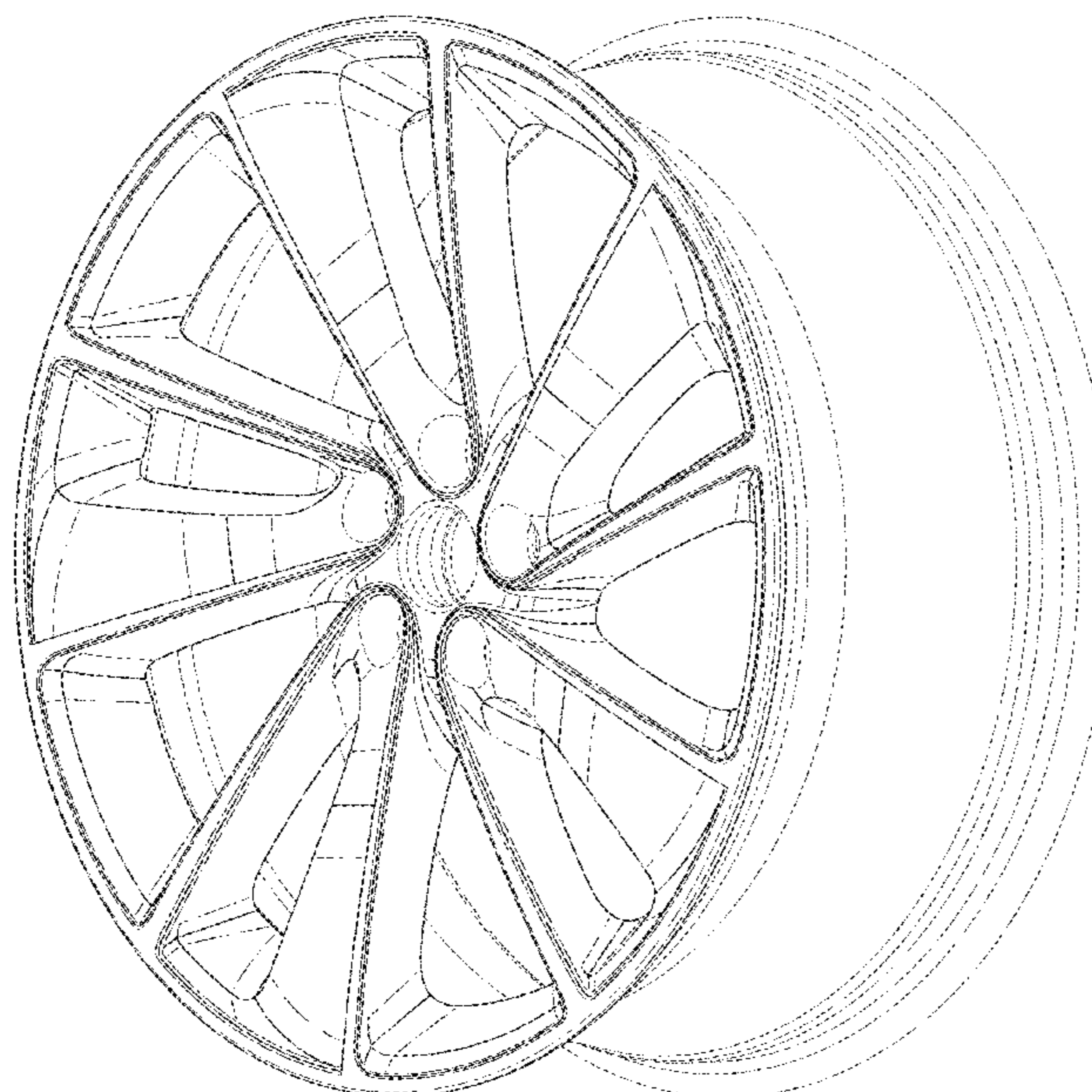
The ornamental design for a vehicle wheel, as shown and described.

DESCRIPTION

FIG. 1 is a frontside perspective view of the vehicle wheel;
FIG. 2 is a rear side perspective view thereof;
FIG. 3 is a front view thereof;
FIG. 4 is a rear view thereof;
FIG. 5 is a left side view thereof;
FIG. 6 is a right side view thereof;
FIG. 7 is a top view thereof; and,
FIG. 8 is a bottom view thereof.

The broken lines shown in the drawings depict portions of the vehicle wheel that form no part of the claimed design.

1 Claim, 8 Drawing Sheets



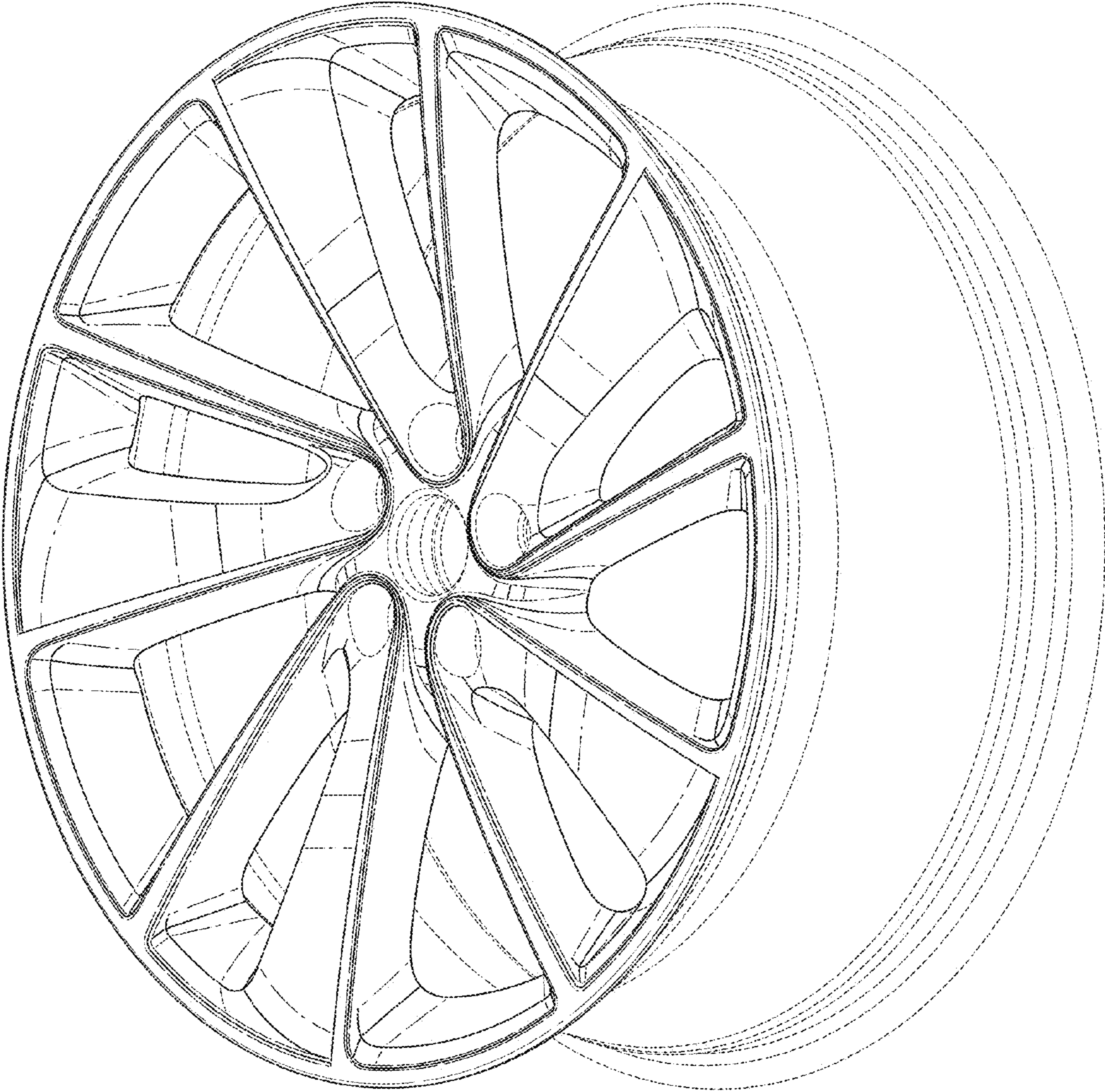


FIG. 1

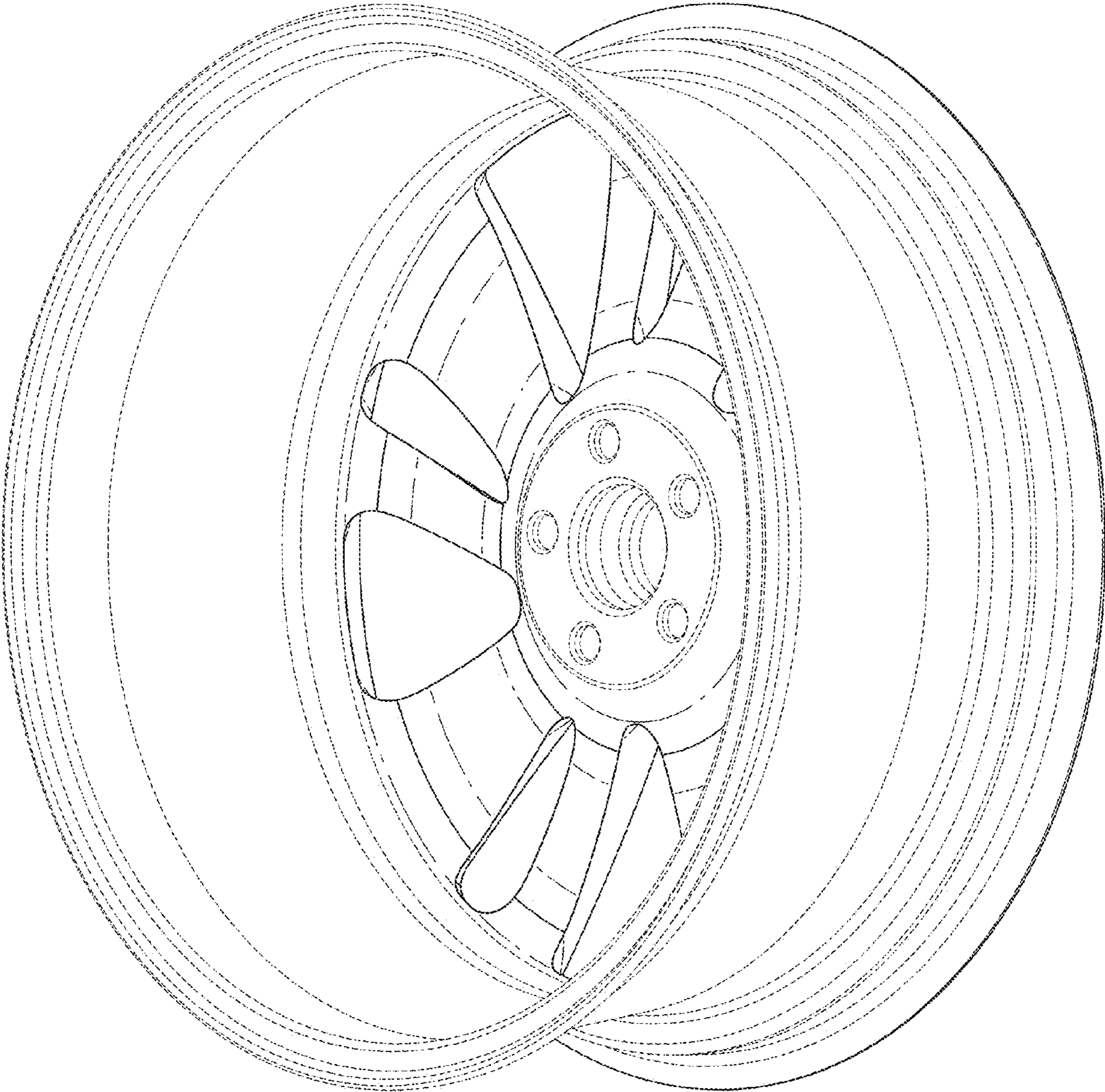


FIG. 2

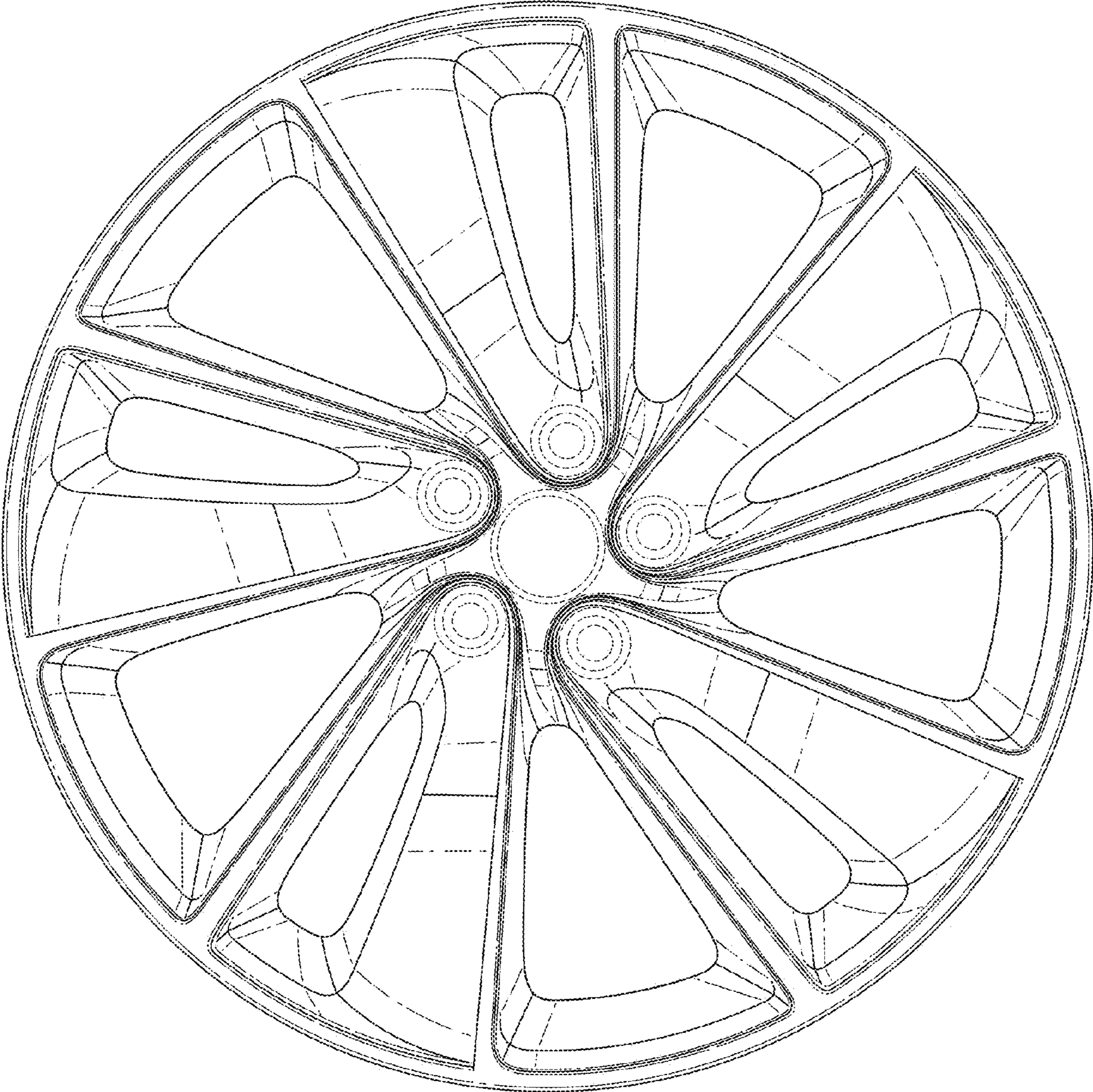


FIG. 3

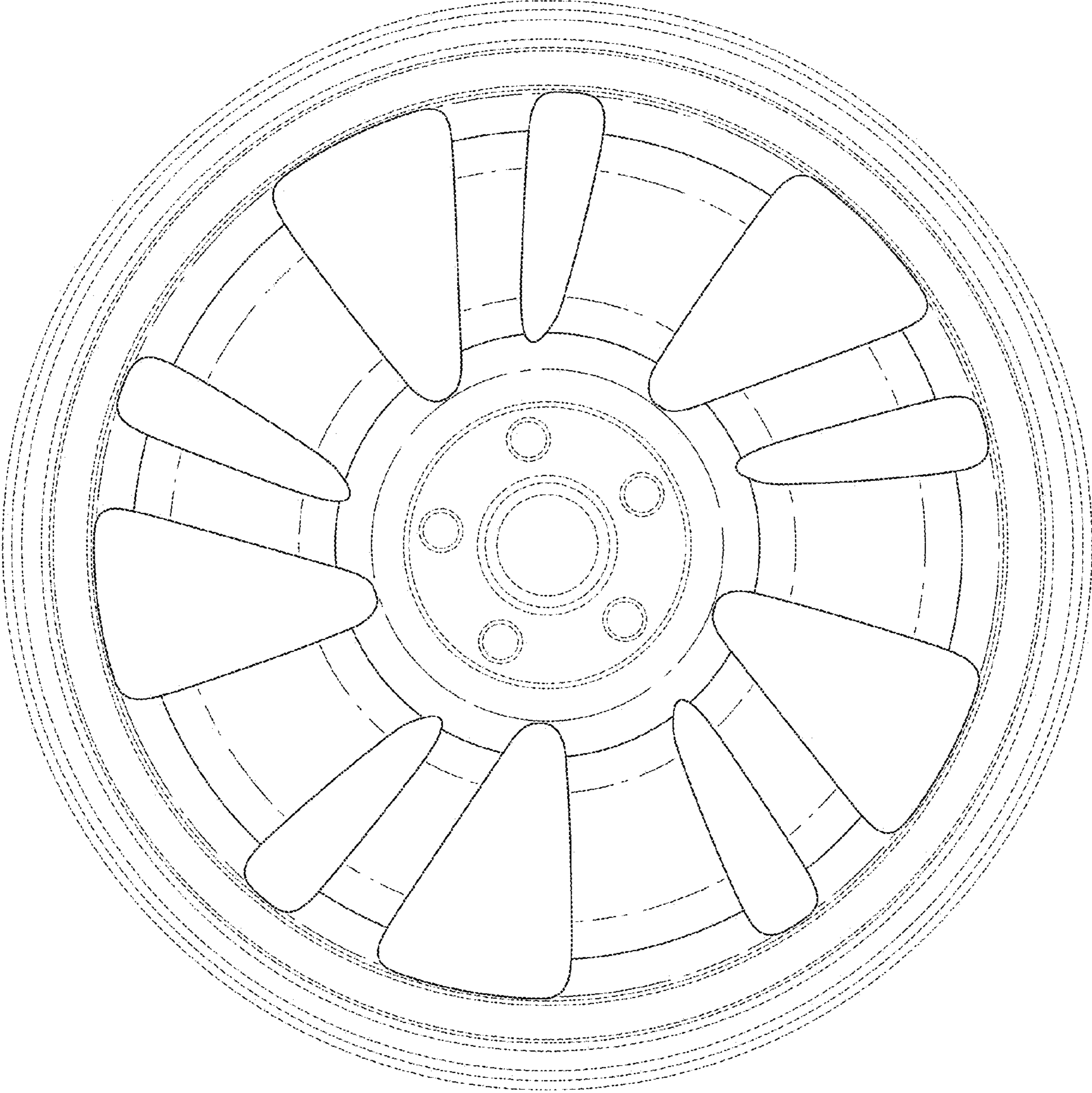


FIG. 4

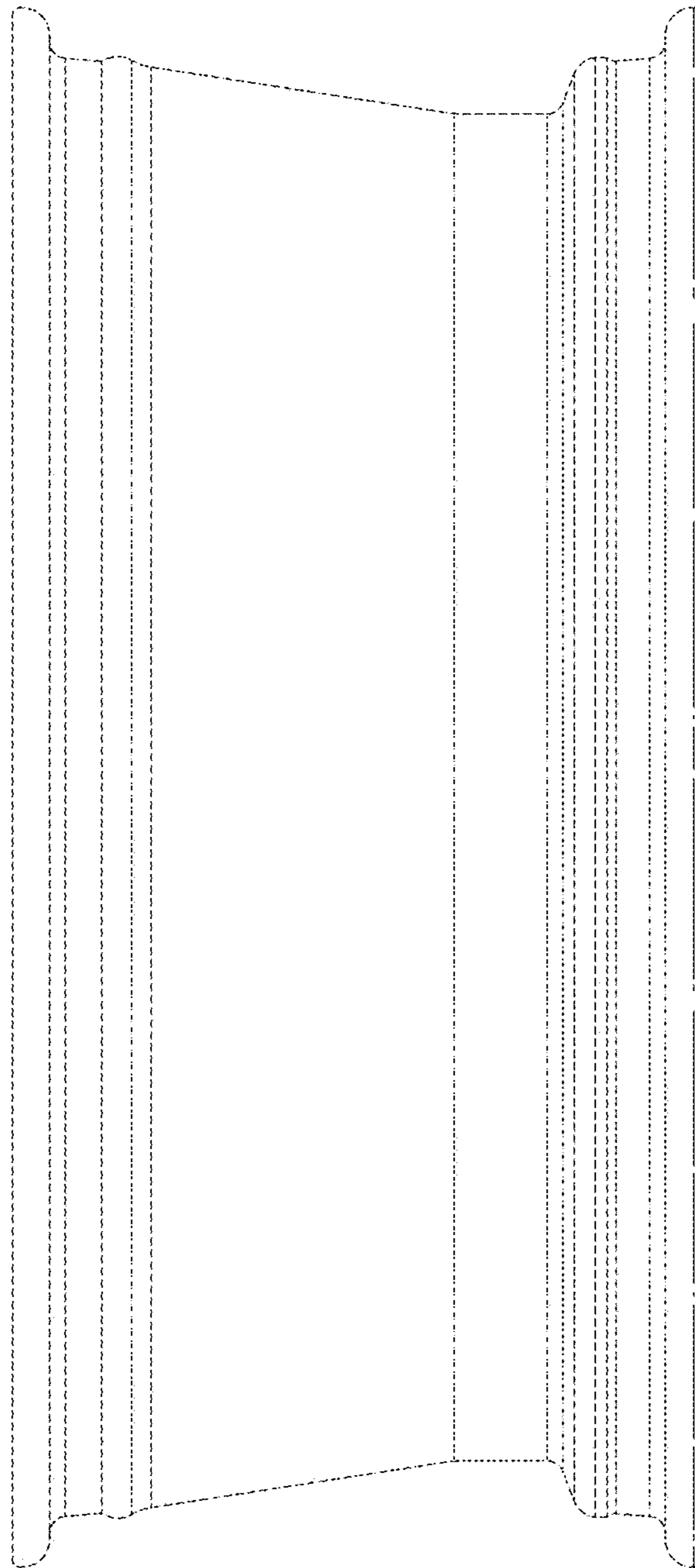


FIG. 5

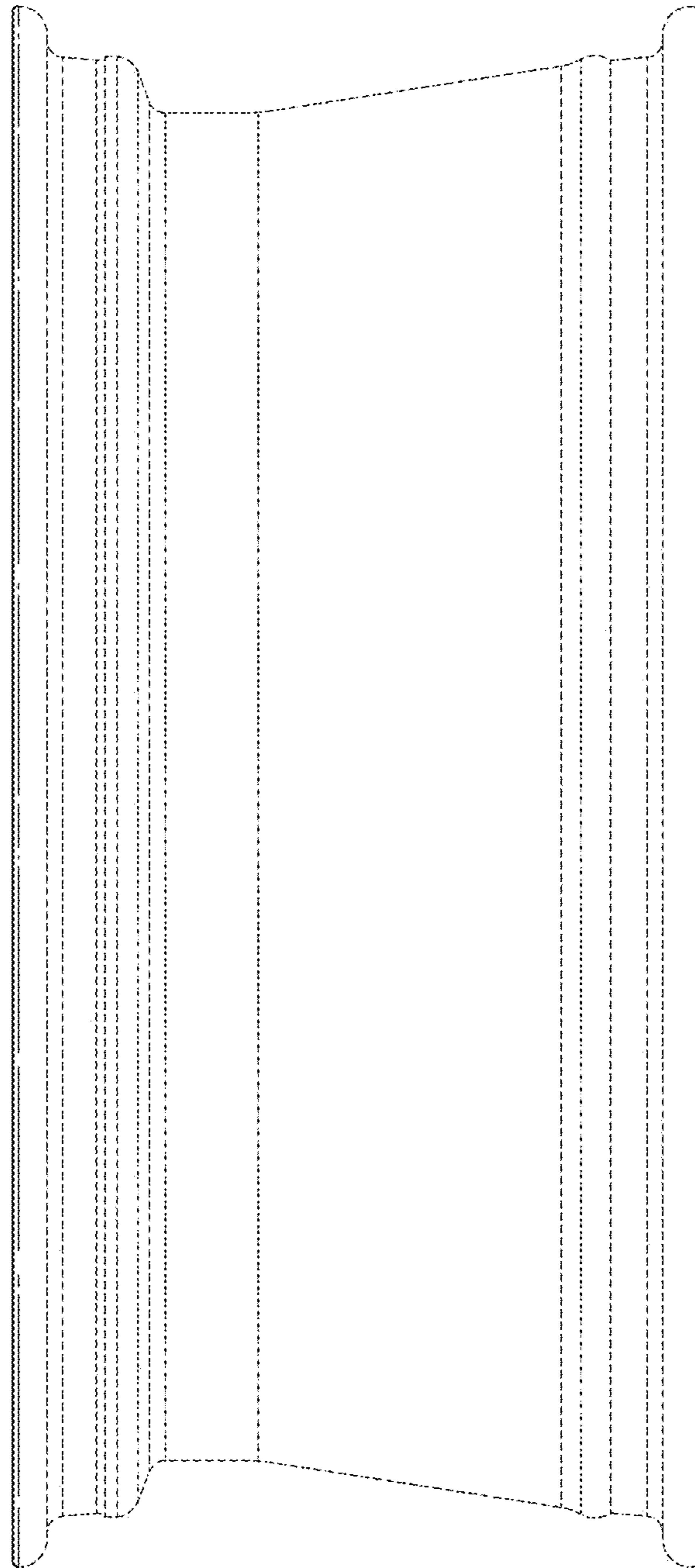


FIG. 6

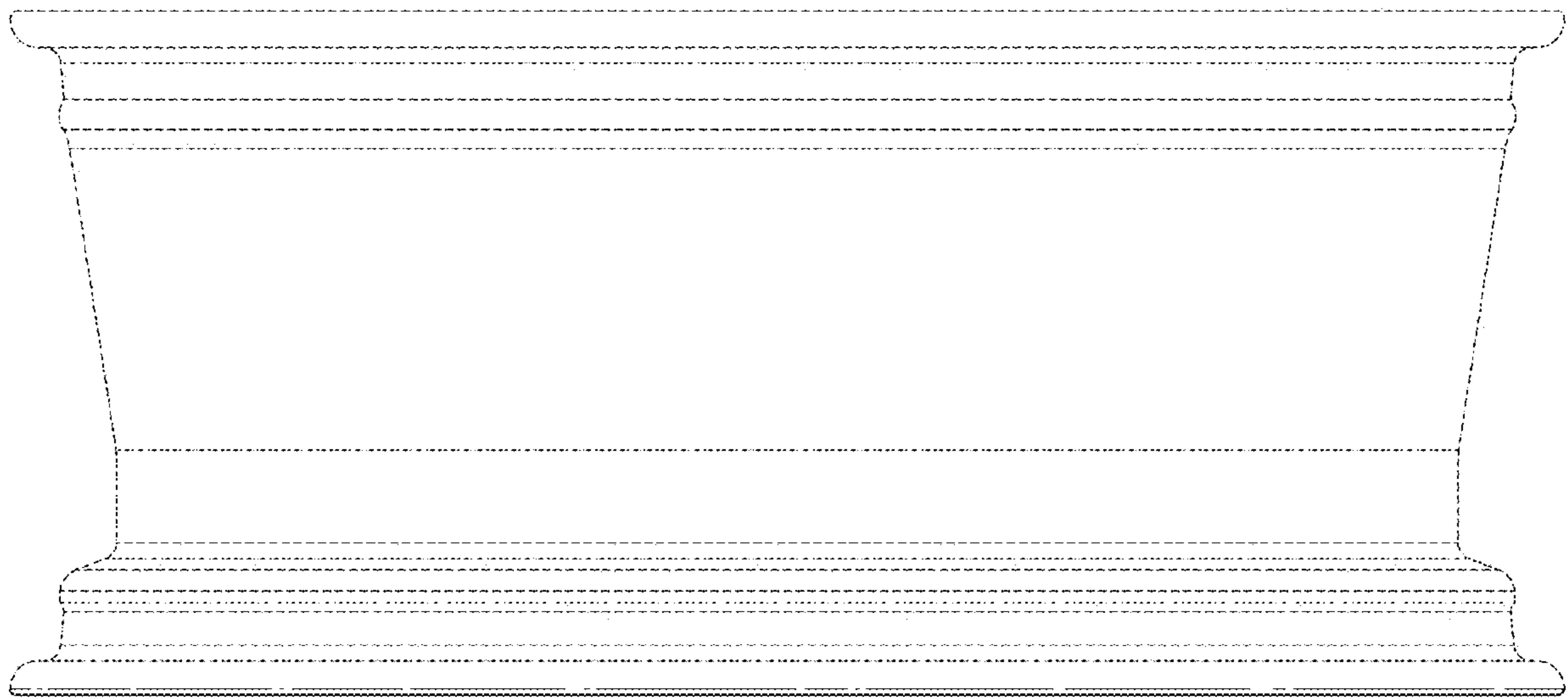


FIG. 7



FIG. 8