



US00D937163S

(12) **United States Design Patent** (10) **Patent No.:** **US D937,163 S**
Manzoni (45) **Date of Patent:** **** Nov. 30, 2021**

- (54) **CAR PORTION**
- (71) Applicant: **Ferrari S.p.A.**, Modena (IT)
- (72) Inventor: **Flavio Manzoni**, Maranello (IT)
- (73) Assignee: **FERRARI S.p.A.**, Modena (IT)
- (**) Term: **15 Years**
- (21) Appl. No.: **29/741,575**
- (22) Filed: **Jul. 14, 2020**

Related U.S. Application Data

- (62) Division of application No. 35/507,021, filed on Jan. 4, 2019 (U.S. filing date under 35 U.S.C. 384), and having an international filing date of Jan. 4, 2019, now Pat. No. Des. 902,783.

Foreign Application Priority Data

- Jul. 4, 2018 (EM) 005403516
- (51) **LOC (13) Cl.** **12-08**
- (52) **U.S. Cl.**
USPC **D12/190; D12/92**
- (58) **Field of Classification Search**
USPC D12/86, 90, 91, 92, 98, 114, 181, 190;
D21/424, 433, 434
CPC B62D 25/00; B62D 25/06; B62D 33/00;
B62D 35/00
See application file for complete search history.

References Cited

U.S. PATENT DOCUMENTS

- D680,030 S * 4/2013 Rodriguez D12/92
- D703,585 S * 4/2014 Scheinhutte D12/92
- D710,260 S * 8/2014 Villarreal D12/92
- D717,222 S * 11/2014 Waterman D12/190

- 9,073,410 B2 * 7/2015 Bruant B60J 7/028
- D738,259 S * 9/2015 Ohnuma D12/92
- D746,200 S * 12/2015 Leetz D12/190
- D757,309 S * 5/2016 Rugar D26/28
- D763,737 S * 8/2016 Varga D12/92
- D772,107 S * 11/2016 Madden D12/114
- D786,134 S * 5/2017 Varga D12/92
- D790,405 S * 6/2017 Christensen D12/92
- 9,725,020 B2 * 8/2017 Fainello B60N 2/882
- D796,998 S * 9/2017 Christensen D12/92
- D797,606 S * 9/2017 Oh D12/92
- D808,302 S * 1/2018 Oh D12/92
- D809,971 S * 2/2018 Lee D12/92
- D809,972 S * 2/2018 Fisker D12/92
- D821,279 S * 6/2018 Szavits D12/190
- D825,388 S * 8/2018 Karras D12/92
- D830,239 S * 10/2018 Behmer D12/163
- D831,542 S * 10/2018 Russo D12/92
- D836,031 S * 12/2018 Lim D12/92
- D840,874 S * 2/2019 Fisker D12/92
- D845,174 S * 4/2019 Iwao D12/92
- D847,028 S * 4/2019 Loeb D12/92
- D849,616 S * 5/2019 Nurnberger D12/190

(Continued)

Primary Examiner — Darlington Ly

(74) *Attorney, Agent, or Firm* — Cowan, Liebowitz & Latman, P.C.; Anastasia Zhadina

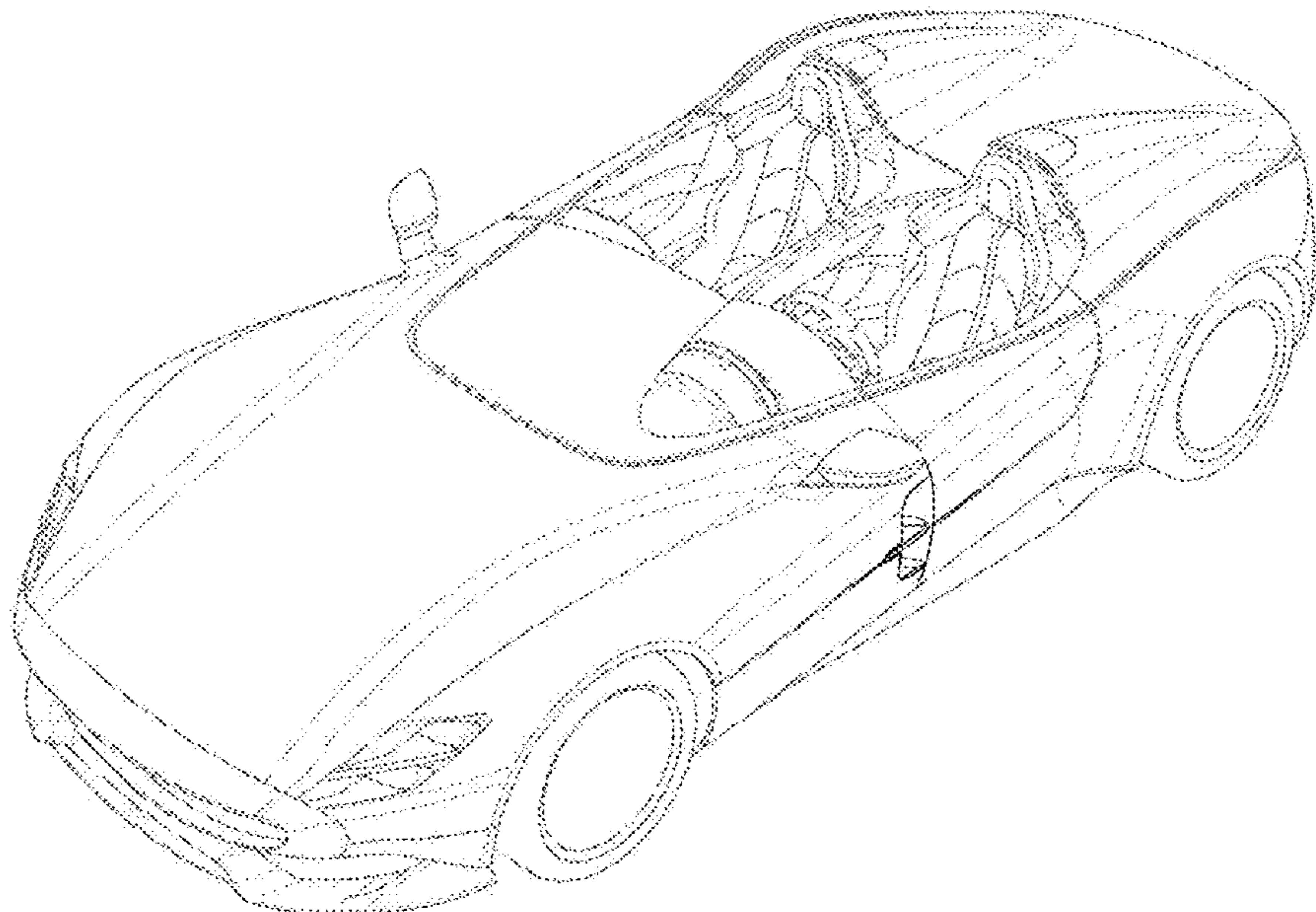
(57) **CLAIM**

The ornamental design for a car portion, as shown and described.

DESCRIPTION

FIG. 1 is a top, front, and left side perspective view of a car portion embodying my new design; FIG. 2 is a top, rear, and right side perspective view thereof; FIG. 3 is a left side elevation view thereof; and, FIG. 4 is a right side elevation view thereof. The broken lines are shown for the purpose of illustrating portions of the car and form no part of the claimed design.

1 Claim, 4 Drawing Sheets



(56)

References Cited

U.S. PATENT DOCUMENTS

D863,662 S	*	10/2019	Yong	D26/139
D873,192 S	*	1/2020	Smith	D12/190
D874,366 S	*	2/2020	Munsell	D12/181
D894,060 S	*	8/2020	Izard	D12/169
D908,568 S	*	1/2021	Peplowski	D12/190

* cited by examiner

FIG. 1

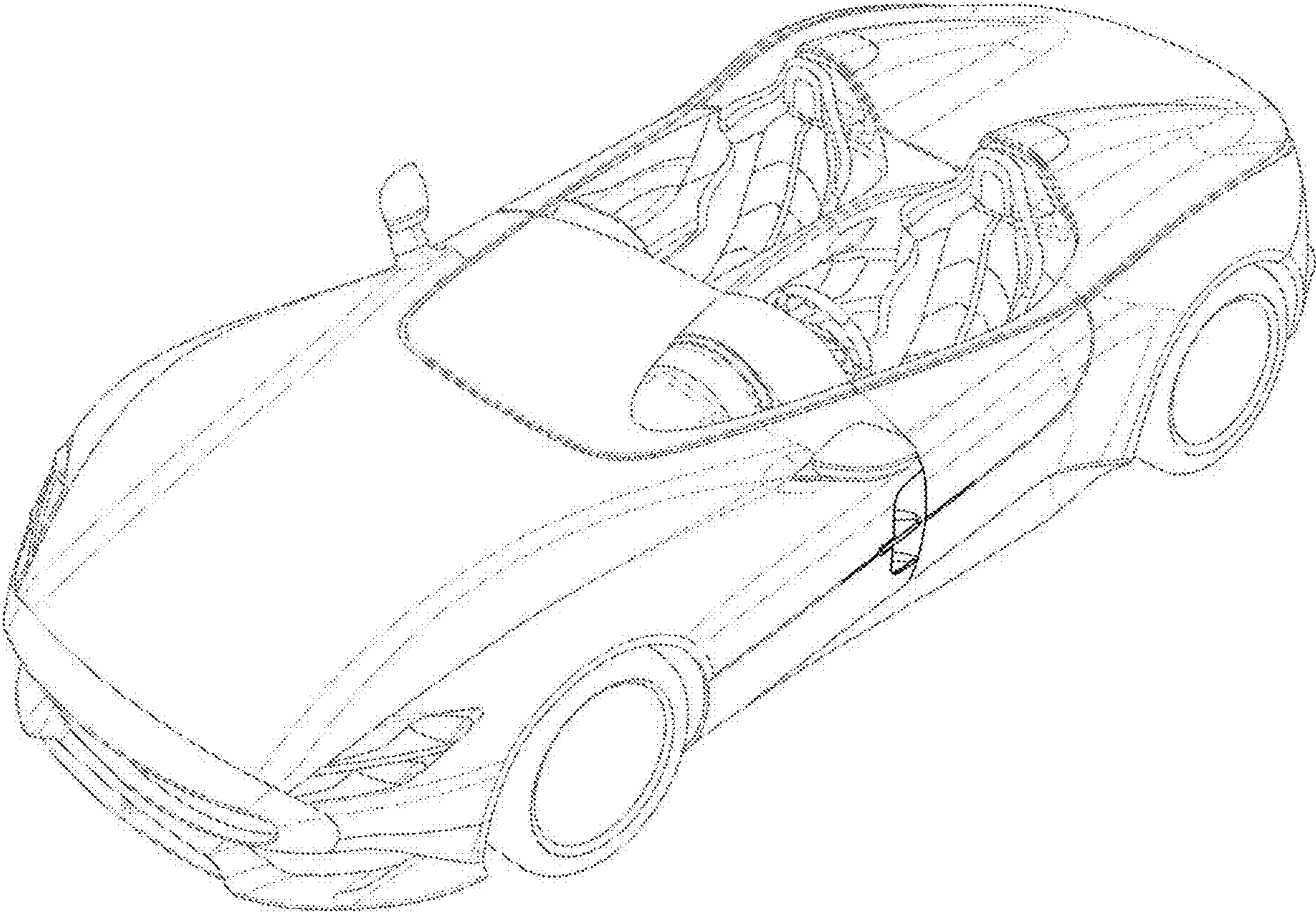


FIG. 2

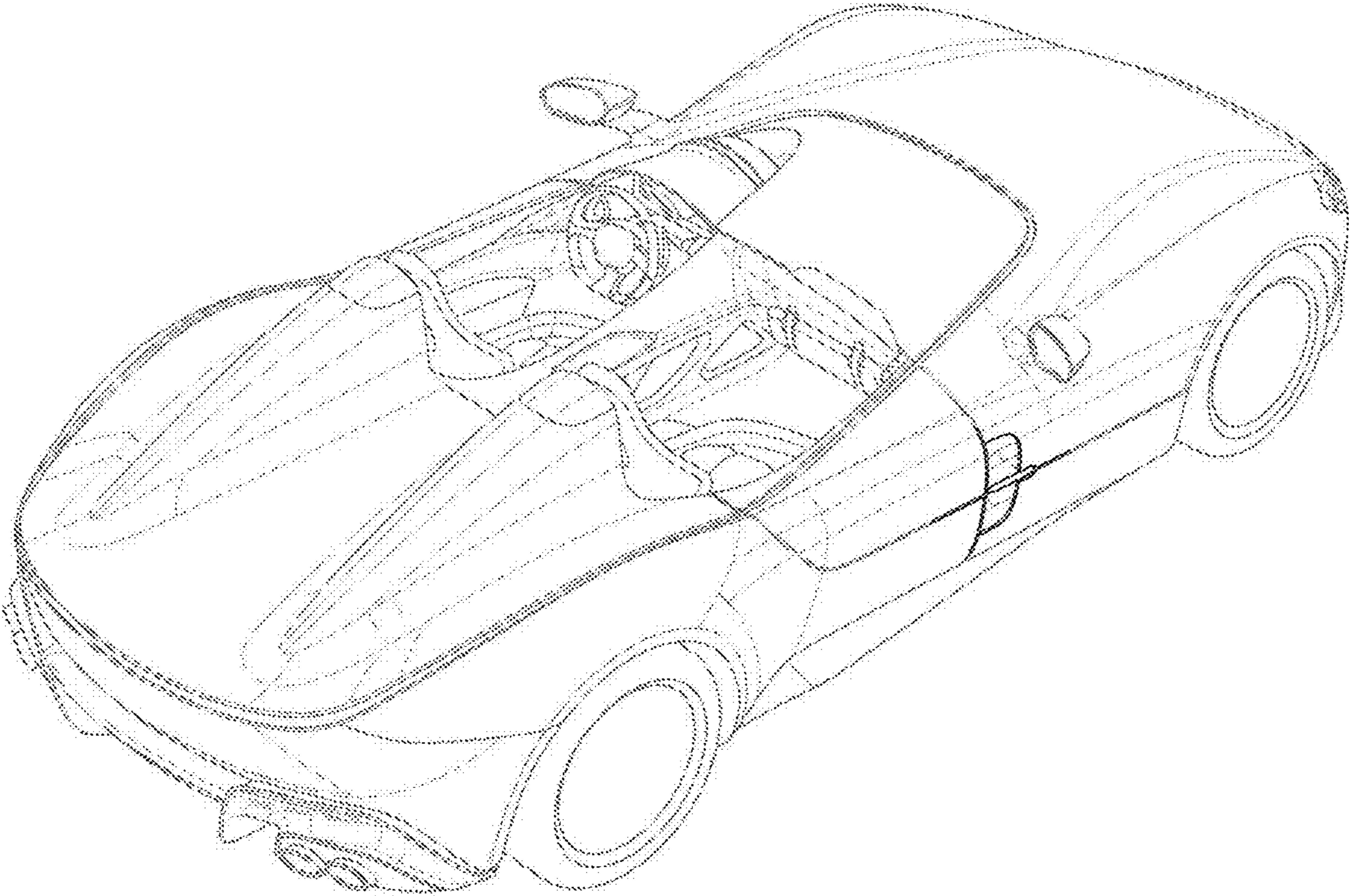


FIG. 3

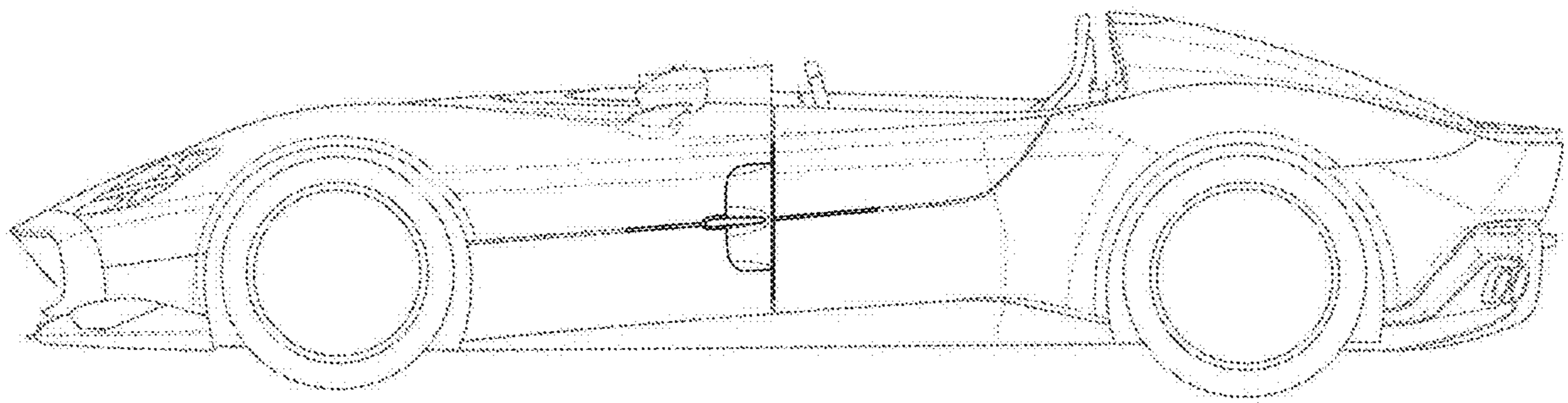


FIG. 4

