

US00D937162S

(12) **United States Design Patent** (10) **Patent No.:** **US D937,162 S**
Wang (45) **Date of Patent:** **** Nov. 30, 2021**

(54) **REAR VIEW MIRROR**
(71) Applicant: **Min Wang**, Guangzhou (CN)
(72) Inventor: **Min Wang**, Guangzhou (CN)
(**) Term: **15 Years**
(21) Appl. No.: **29/756,363**
(22) Filed: **Oct. 28, 2020**
(51) **LOC (13) Cl.** **12-16**
(52) **U.S. Cl.**
USPC **D12/187**
(58) **Field of Classification Search**
USPC D12/187, 188-189; D6/300, 309
CPC .. G02B 7/182; G02B 5/08; G02B 7/18; B60R
1/076
See application file for complete search history.

(56) **References Cited**
U.S. PATENT DOCUMENTS
D391,214 S * 2/1998 Hook D12/187
D451,456 S * 12/2001 Santo D12/187
D451,869 S * 12/2001 Knapp D12/187
D556,105 S * 11/2007 Carter D12/187
D633,423 S * 3/2011 De Wind D12/187
D712,325 S 9/2014 Bohanan et al.
D724,509 S 3/2015 Bohanan et al.
D742,291 S * 11/2015 Sharma D12/187
D746,195 S * 12/2015 Sloterbeek D12/187
D834,476 S * 11/2018 Tang D12/187

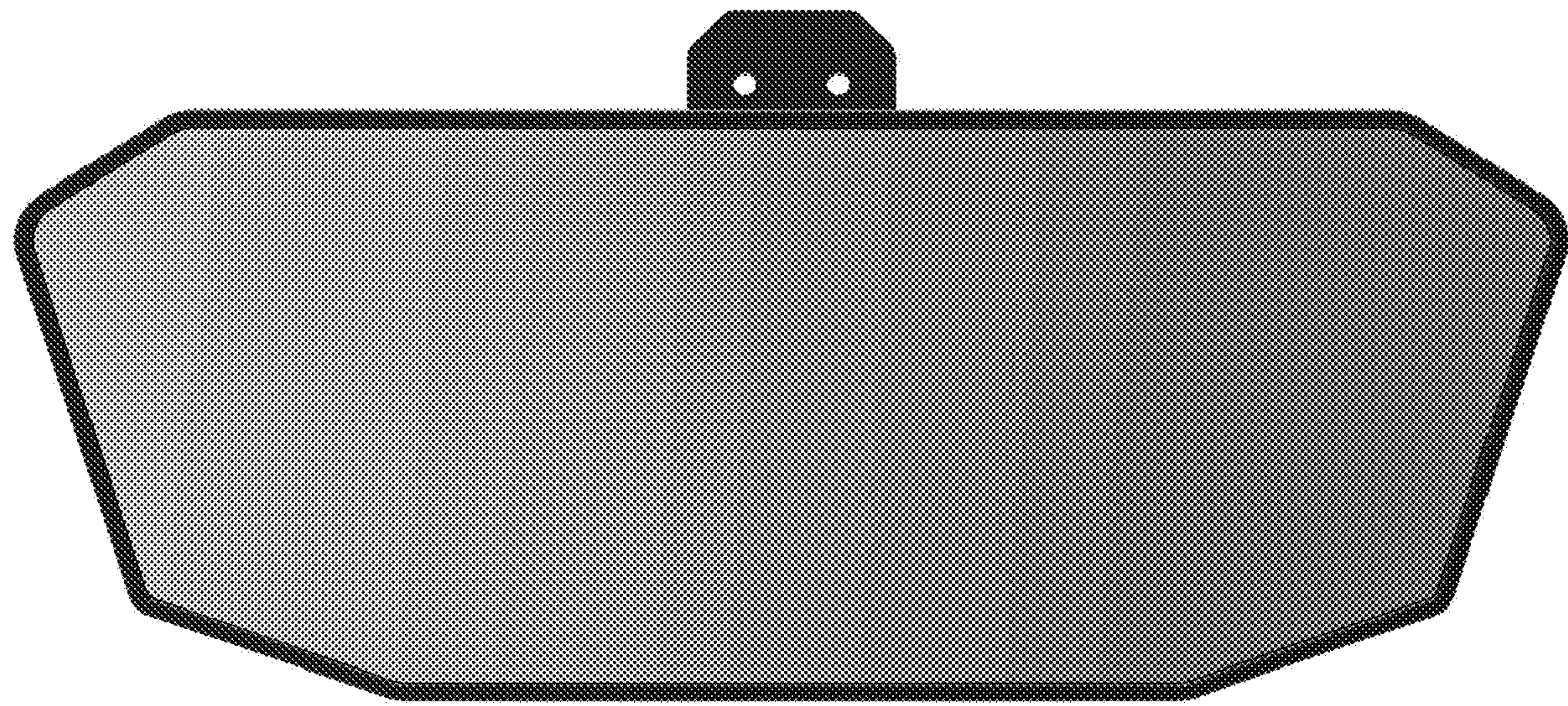
D898,642 S * 10/2020 Yang D12/187
D904,258 S * 12/2020 Pritchard D12/187
D906,913 S * 1/2021 Chang D12/187
2012/0038964 A1 * 2/2012 De Wind B24B 9/02
359/265
2018/0056871 A1 * 3/2018 Karner G06T 7/13
* cited by examiner

Primary Examiner — Katrina A Betton
(74) *Attorney, Agent, or Firm* — Zhihua Han; Wen IP LLC

(57) **CLAIM**
The ornamental design for a rear view mirror, as shown and described.

DESCRIPTION
FIG. 1 is a front elevation photographic view of a rear view mirror, showing my new design;
FIG. 2 is a rear elevation photographic view thereof;
FIG. 3 is a top plan photographic view thereof;
FIG. 4 is a bottom plan photographic view thereof;
FIG. 5 is a left side elevation photographic view thereof;
FIG. 6 is a right side elevation photographic view thereof;
FIG. 7 is a perspective photographic view thereof, showing top and front sides;
FIG. 8 is a perspective photographic view thereof, showing top, front, and right sides;
FIG. 9 is a top photographic view thereof;
FIG. 10 is a rear photographic view thereof; and,
FIG. 11 is a perspective photographic view thereof, showing top and rear sides.

1 Claim, 11 Drawing Sheets



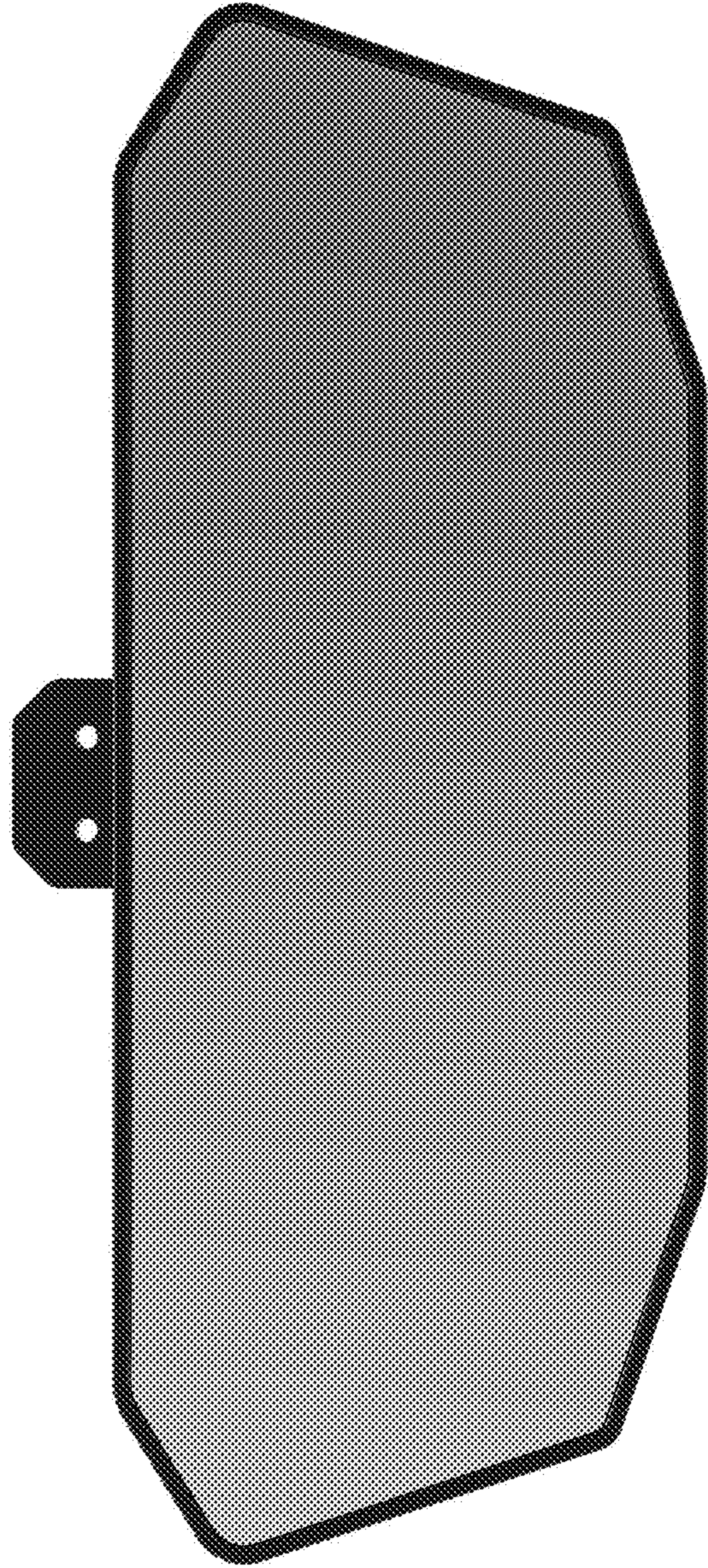


FIG. 1

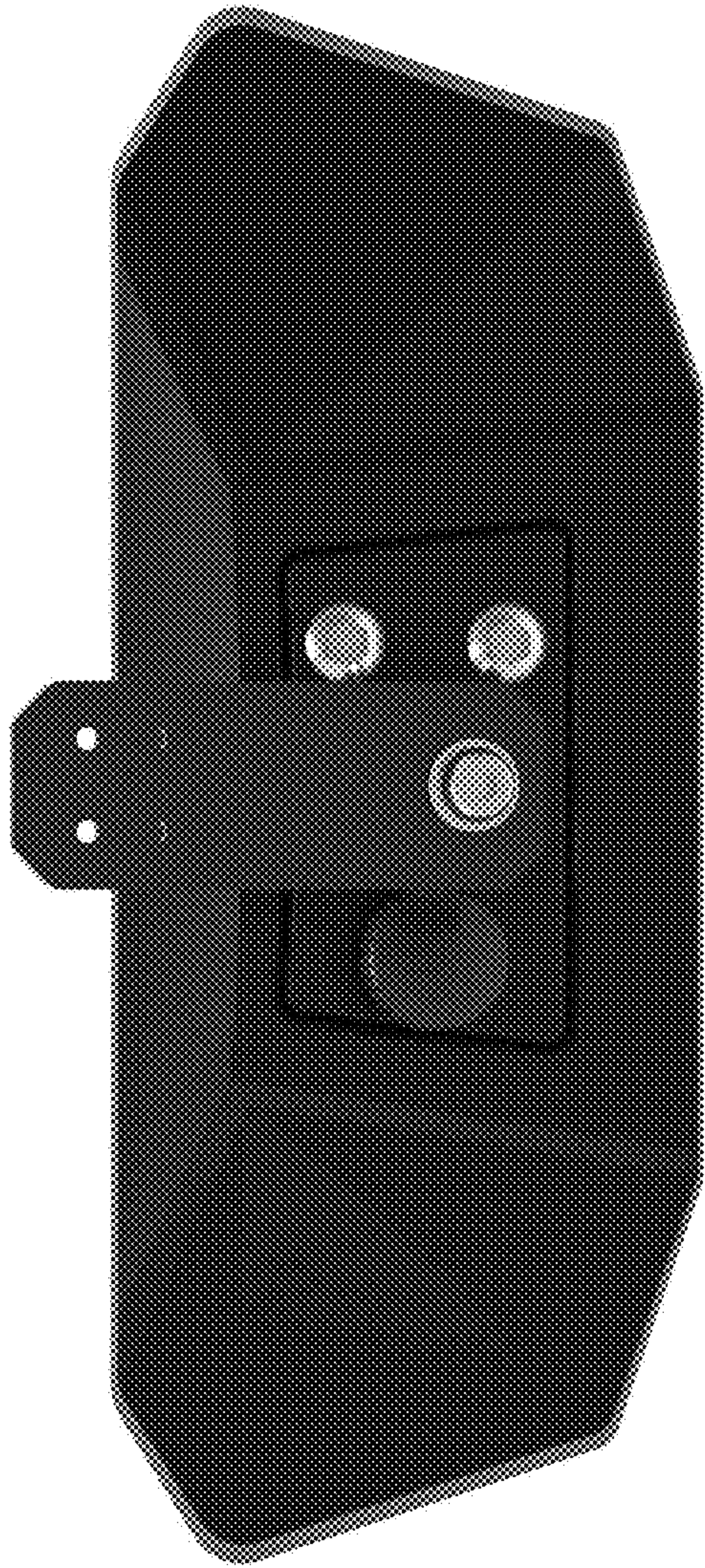


FIG. 2

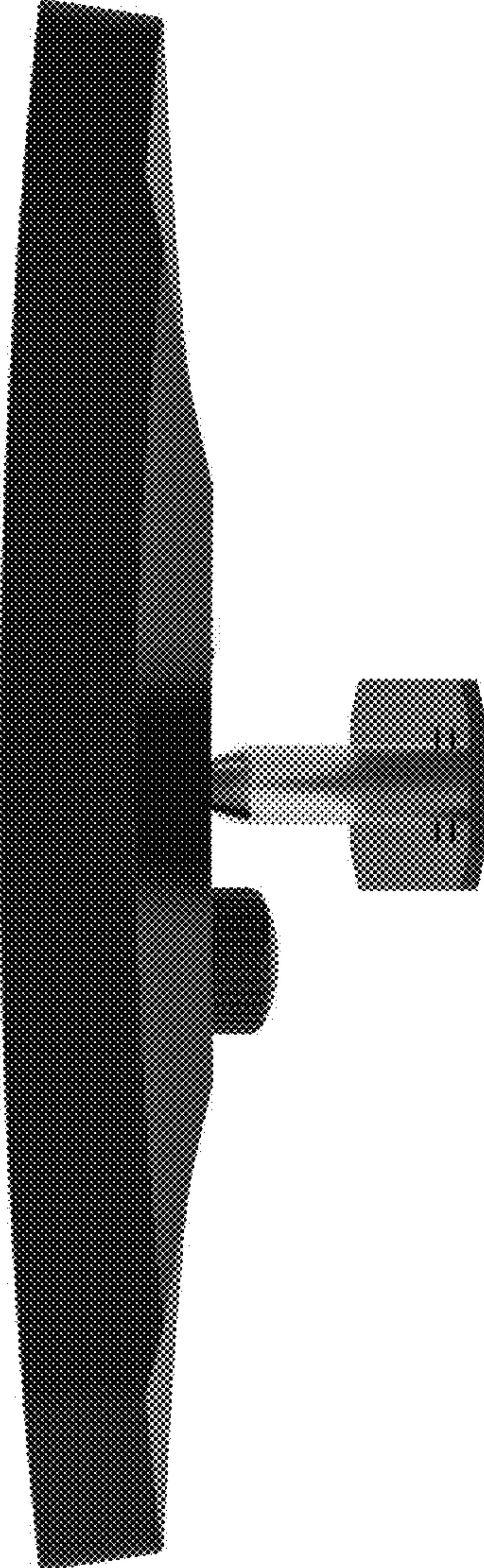


FIG. 3

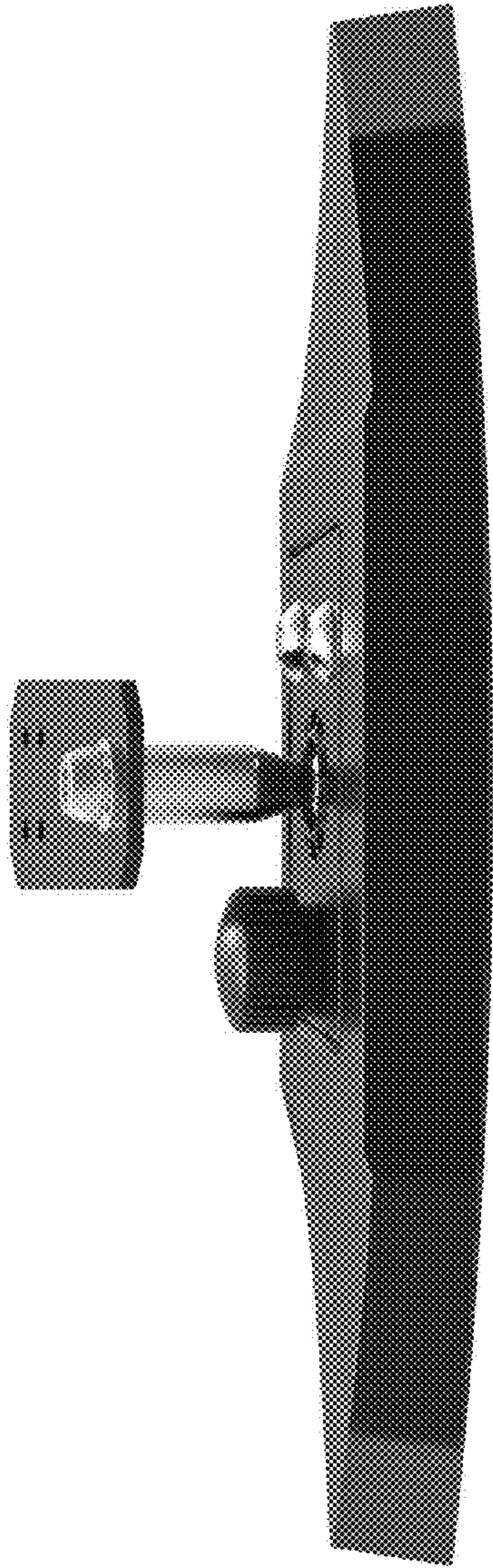


FIG. 4

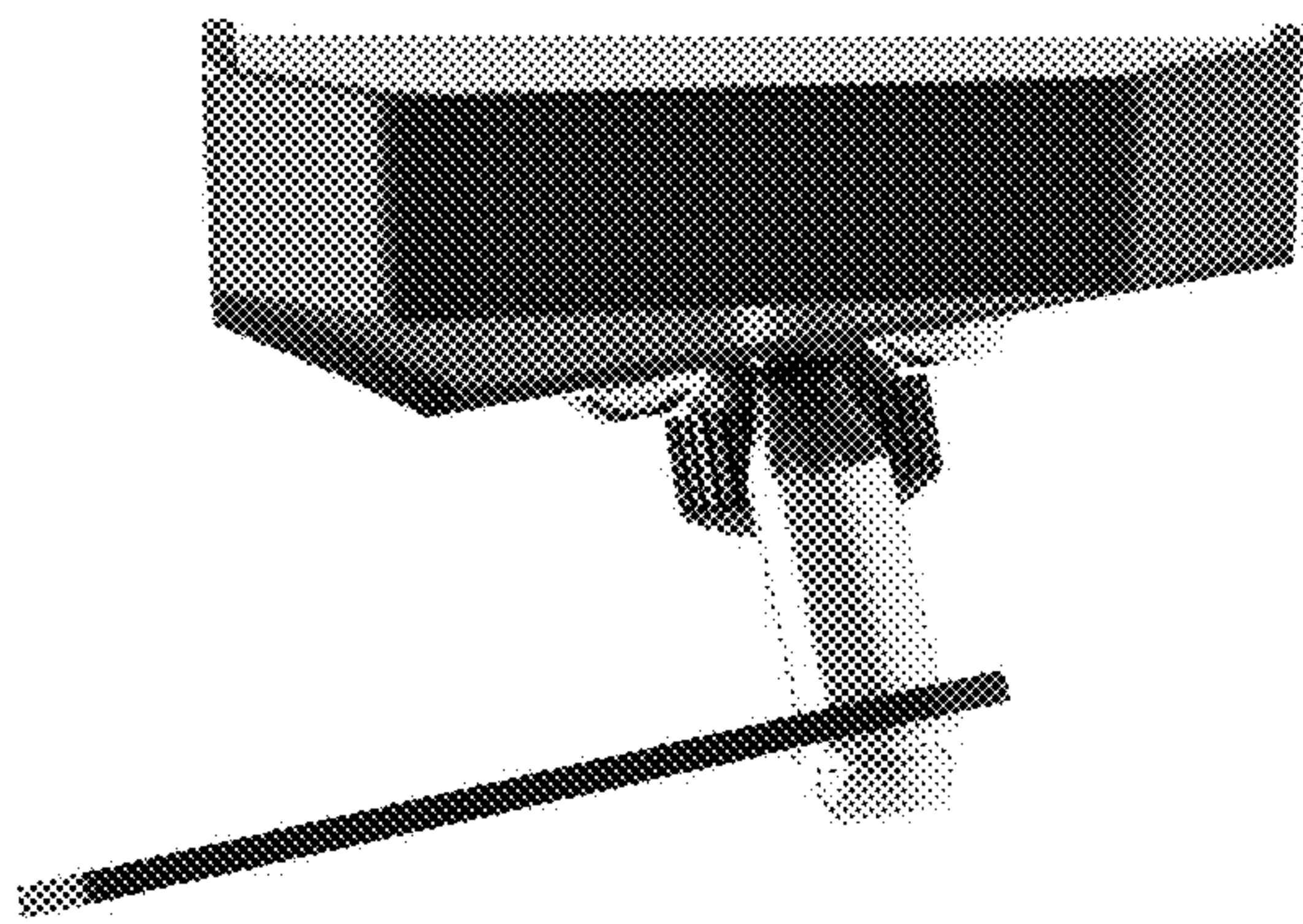


FIG. 5

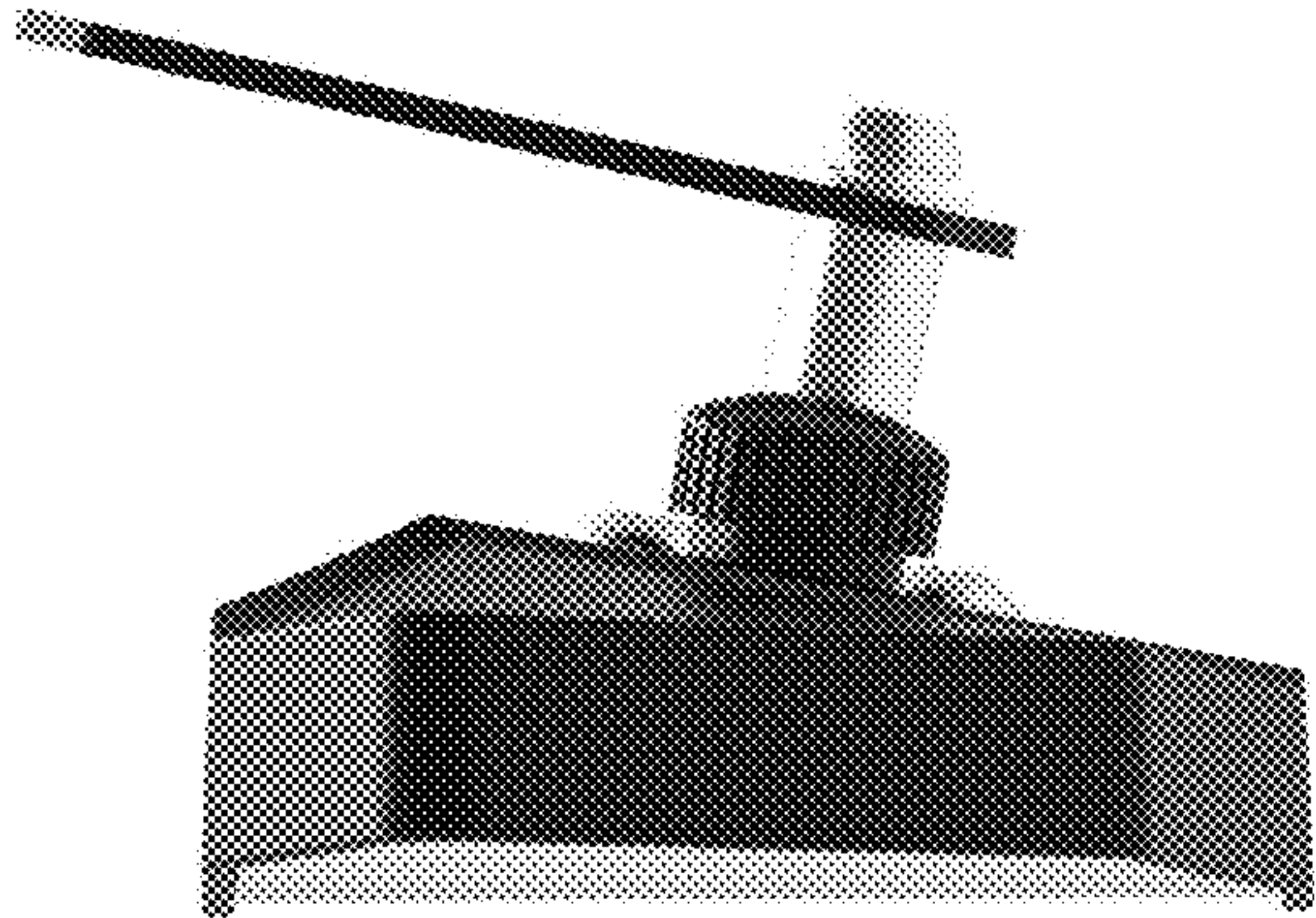


FIG. 6

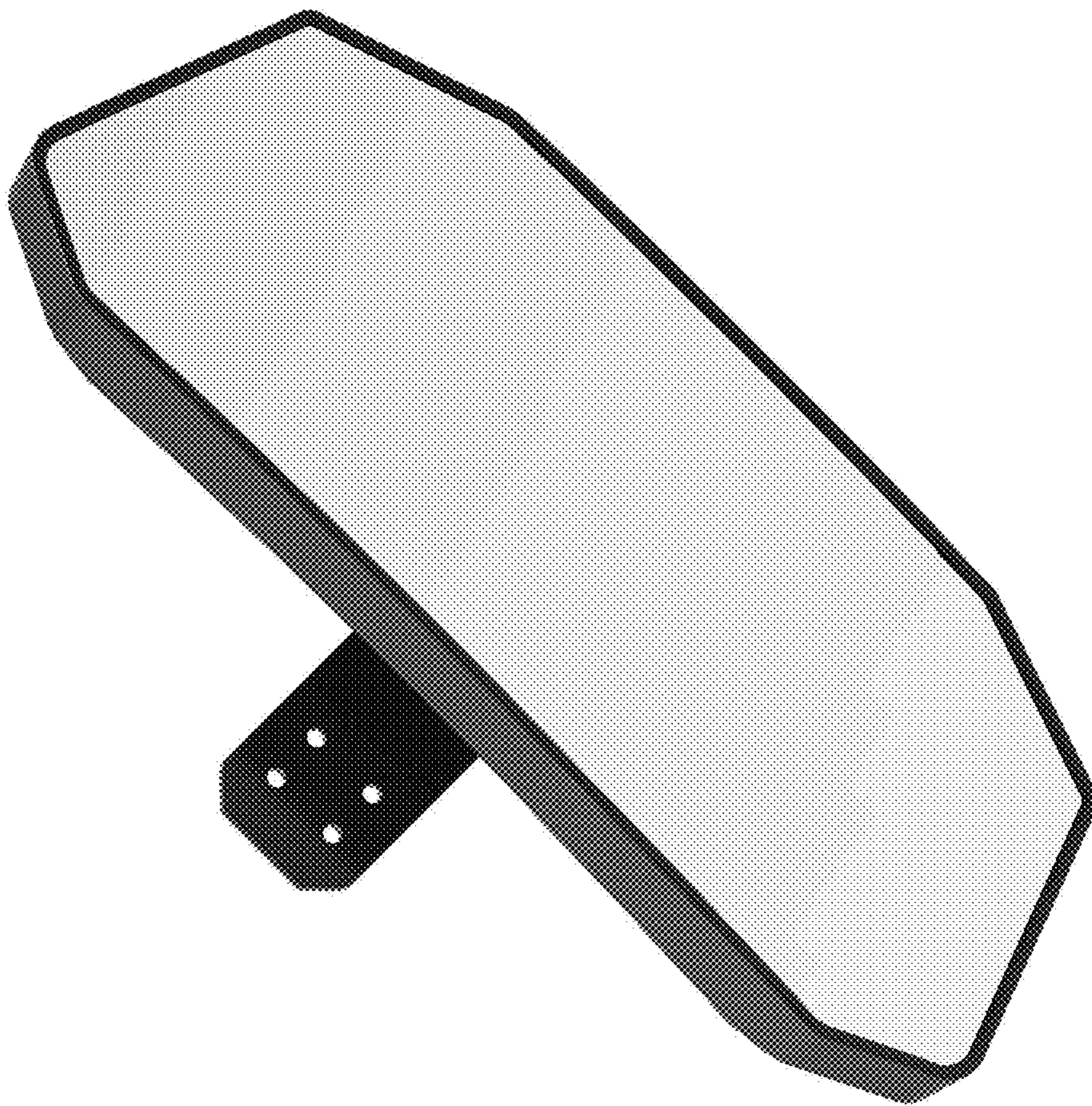


FIG. 7

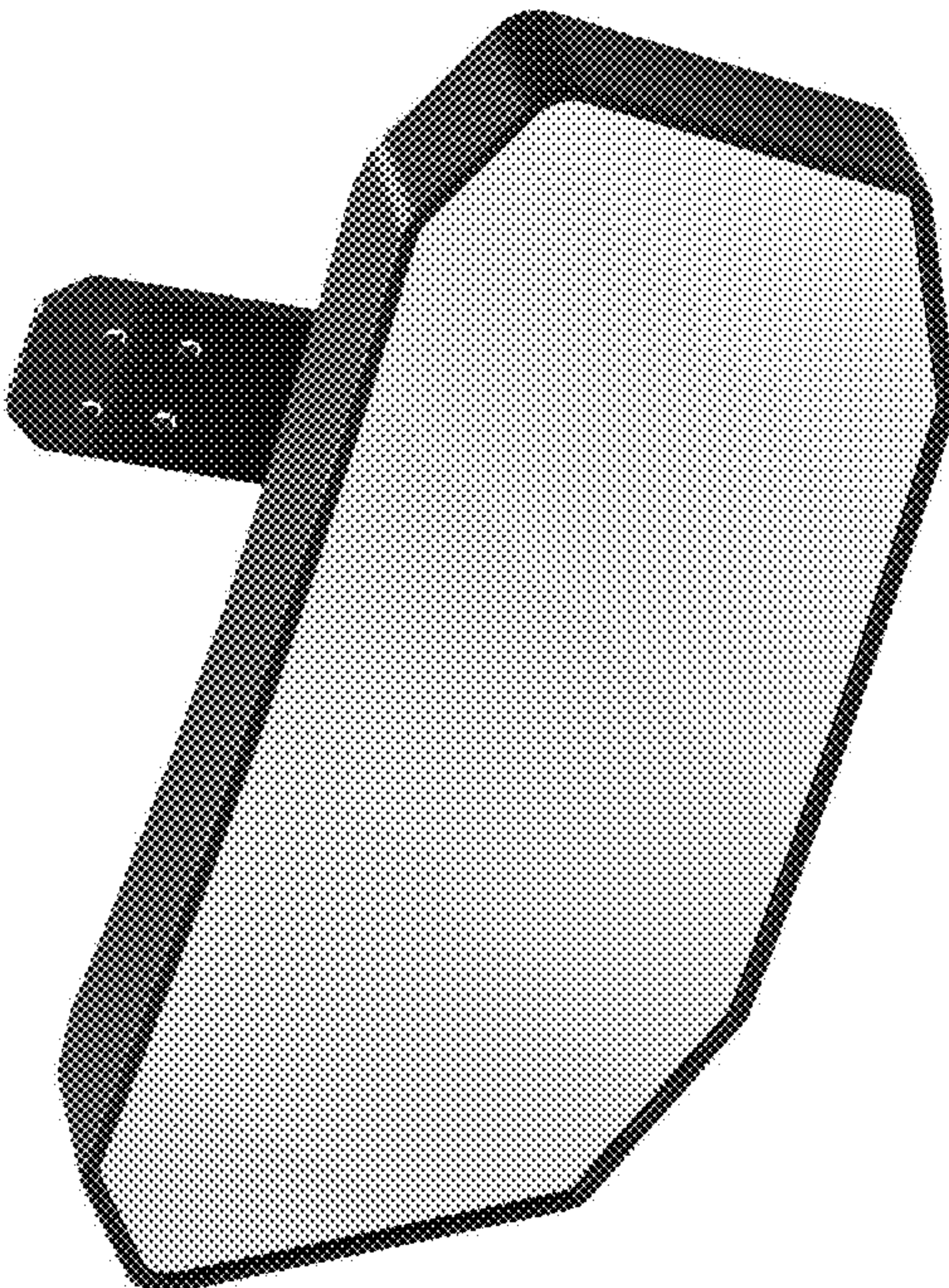


FIG. 8

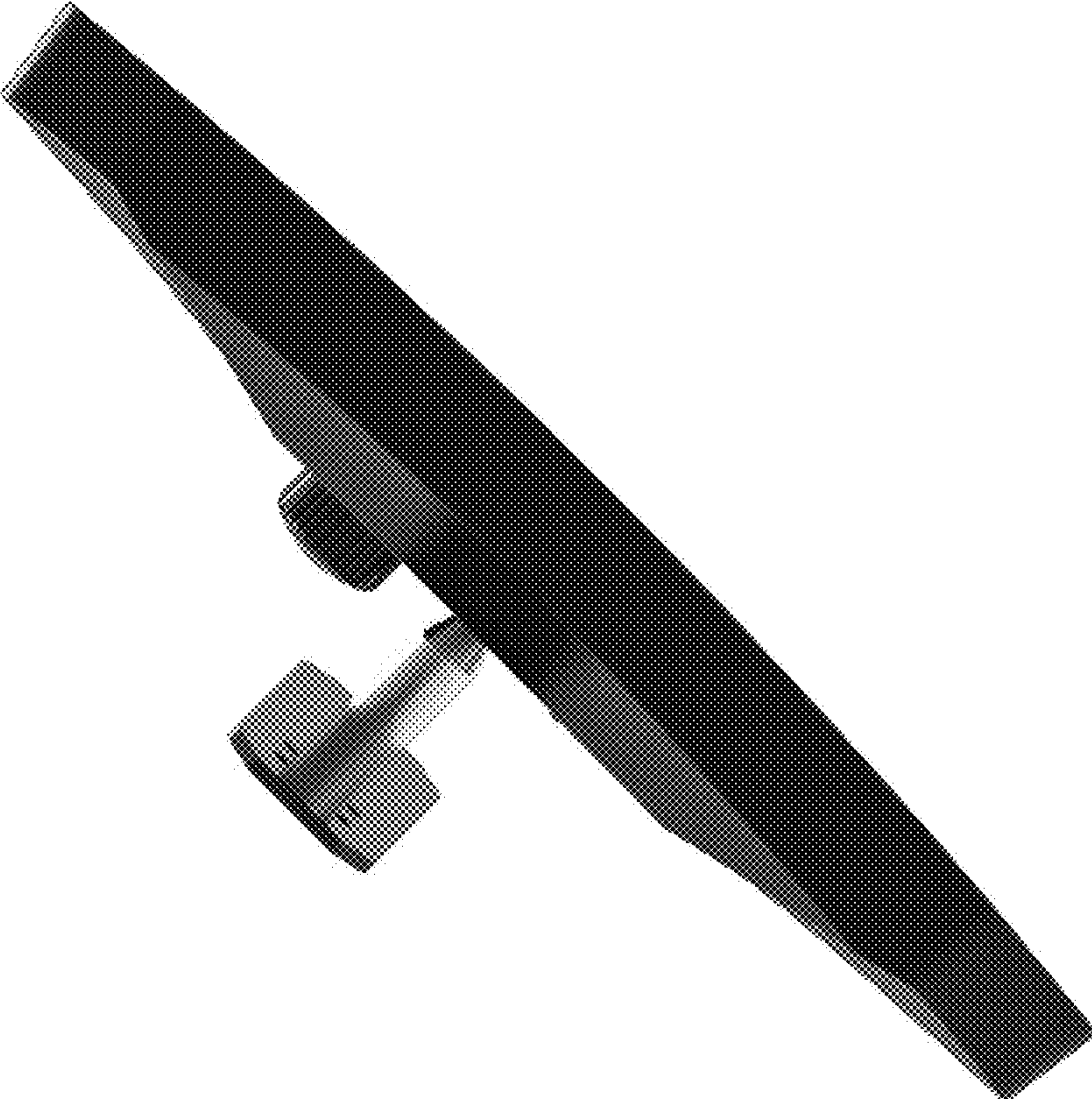


FIG. 9

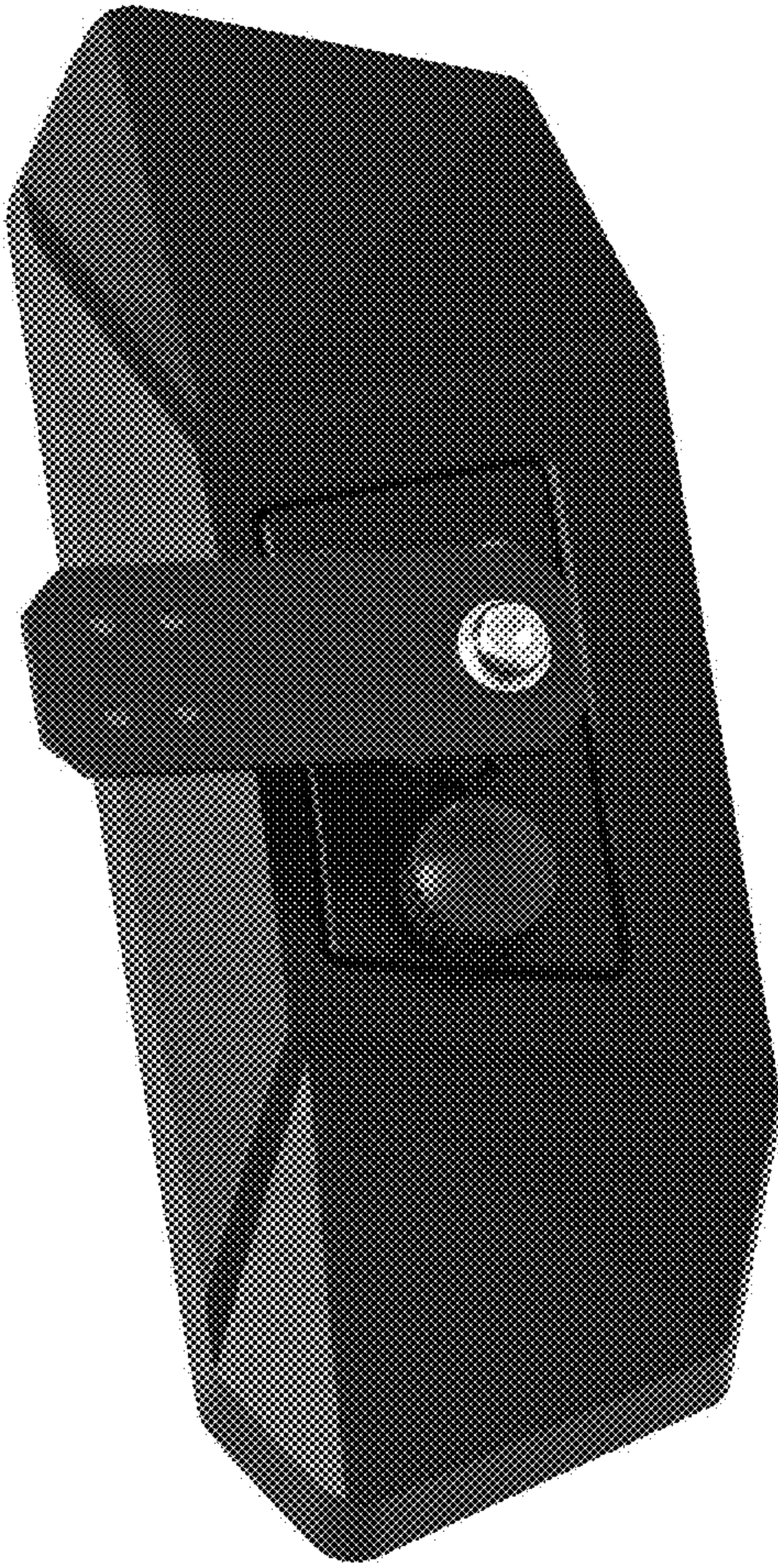


FIG. 10

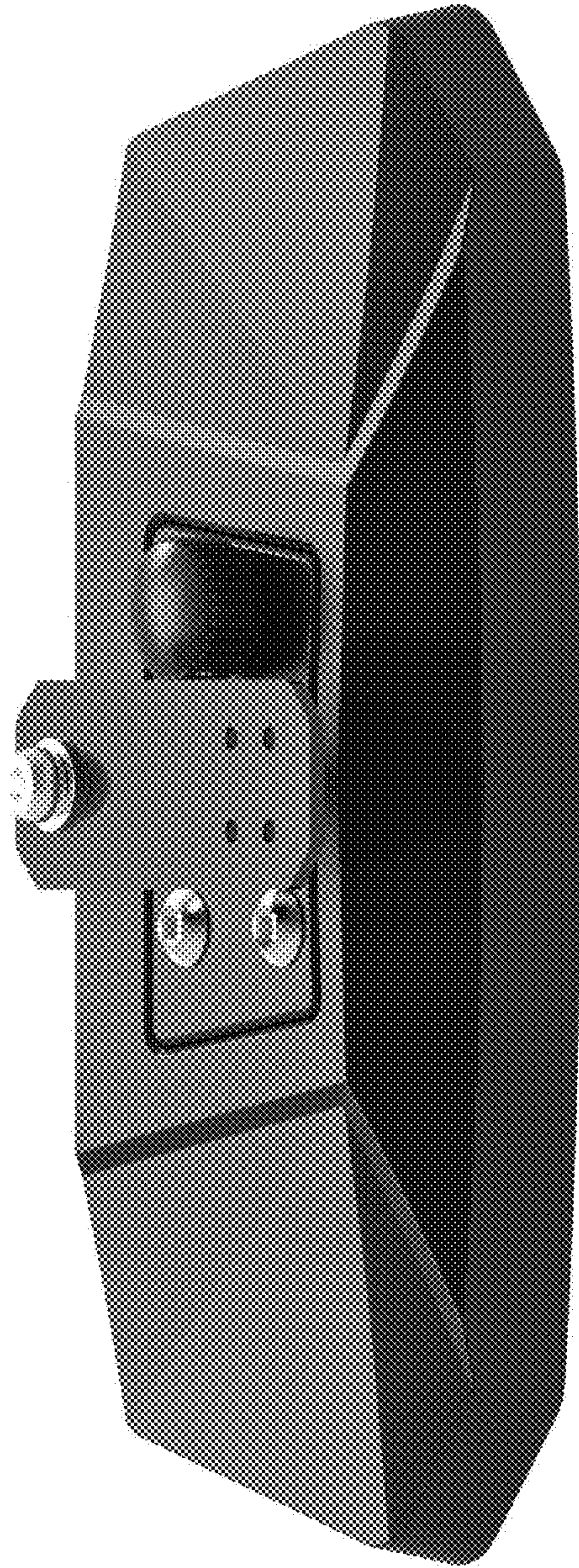


FIG. 11