



US00D937160S

(12) **United States Design Patent**
Ikeda et al.

(10) **Patent No.:** **US D937,160 S**

(45) **Date of Patent:** **** Nov. 30, 2021**

(54) **HYDRAULIC BRAKE CONTROLLER FOR STRADDLE-TYPE VEHICLES**

(71) Applicant: **ROBERT BOSCH GMBH**, Stuttgart (DE)

(72) Inventors: **Shigeki Ikeda**, Yokohama (JP); **Ryoji Nakano**, Yokohama (JP); **Hiroaki Atsushi**, Yokohama (JP); **Kazuki Chiba**, Yokohama (JP)

(73) Assignee: **ROBERT BOSCH GMBH**, Stuttgart (DE)

(**) Term: **15 Years**

(21) Appl. No.: **35/509,555**

(22) Filed: **Dec. 11, 2019**

(80) **Hague Agreement Data**

Int. Filing Date: **Dec. 11, 2019**

Int. Reg. No.: **DM/206561**

Int. Reg. Date: **Dec. 11, 2019**

Int. Reg. Pub. Date: **Jun. 12, 2020**

(51) **LOC (13) Cl.** **12-16**

(52) **U.S. Cl.**
USPC **D12/179**

(58) **Field of Classification Search**

USPC D12/111, 114, 160, 174, 177, 179, 180, D12/400, 408, 420

CPC B62L 1/12; B62L 1/16; B62L 3/023; F16D 55/22; F16D 55/226; F16D 55/2262; F16D 65/14; F16D 65/16; F16D 65/18; F16D 65/22; F16D 65/38; F16D 65/56; F16D 65/567; F16D 66/02

See application file for complete search history.

(56) **References Cited**

U.S. PATENT DOCUMENTS

D369,773 S * 5/1996 Wang D12/180

D370,649 S * 6/1996 Chen D12/179

5,564,531 A * 10/1996 Lumpkin B62L 1/005 188/24.12

D384,018 S * 9/1997 Nishimura D12/179

D427,124 S * 6/2000 Terasawa D12/180

D427,125 S * 6/2000 Hanamura D12/180

D428,370 S * 7/2000 Hanamura D12/178

(Continued)

OTHER PUBLICATIONS

Cxjordancx. "The Best Mountain Bike Brakes for Every Type of Riding." mtbr., Oct. 2, 2020 [online], [retrieved on Sep. 1, 2021]. Retrieved from the Internet <URL: <https://www.mtbr.com/threads/the-best-mountain-bike-brakes-for-every-type-of-riding.1173641/>>.*

Primary Examiner — Darlington Ly

(74) *Attorney, Agent, or Firm* — Michael Best and Friedrich LLP

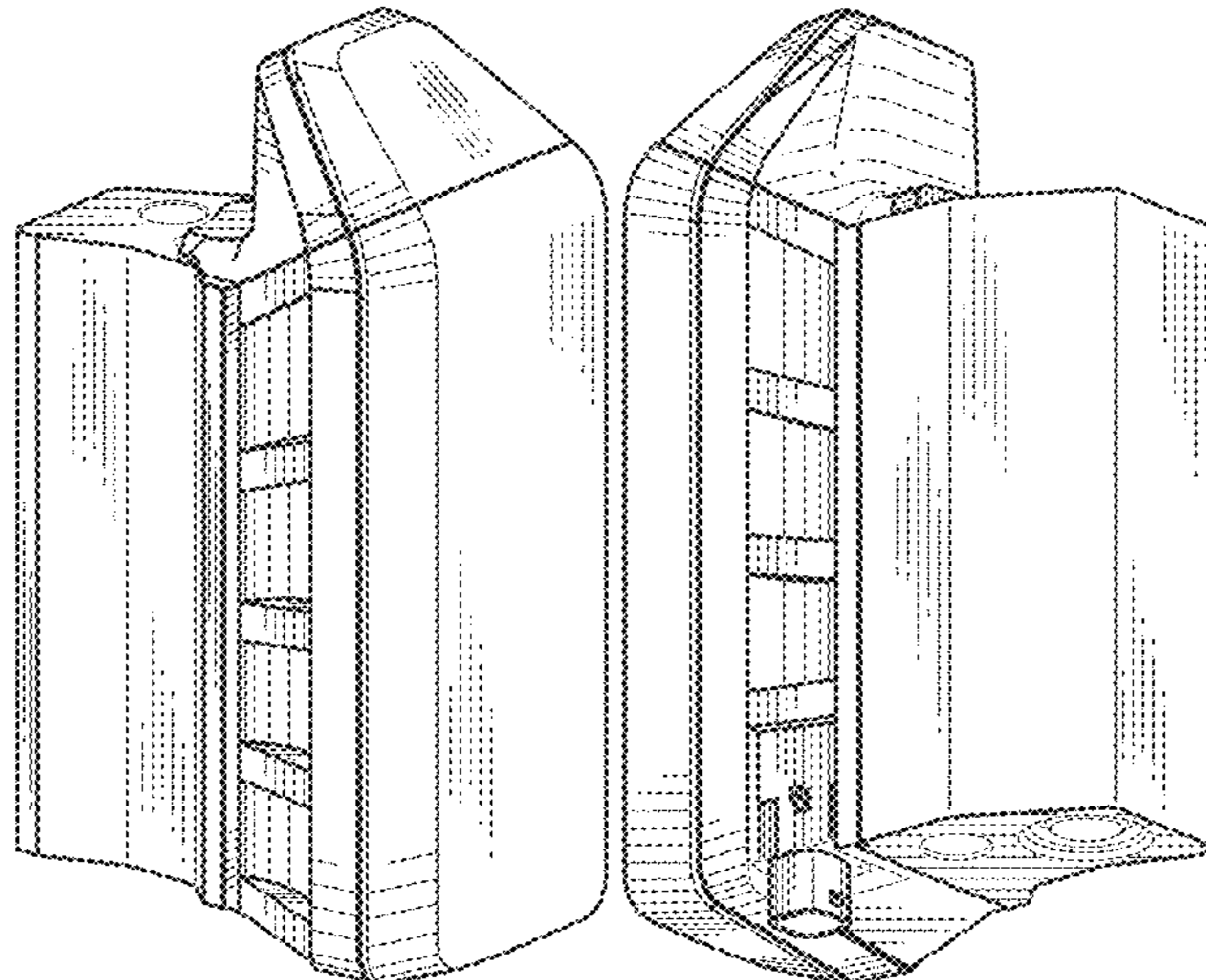
(57) **CLAIM**

The ornamental design for a hydraulic brake controller for straddle-type vehicles, as shown and described.

DESCRIPTION

1. Hydraulic brake controller for straddle-type vehicles
1.1 is a front elevation view of a hydraulic brake controller for straddletype vehicles embodying our new design;
1.2 is a rear elevation view thereof;
1.3 is a top plan view thereof;
1.4 is a bottom plan view thereof;
1.5 is a right side elevation view thereof;
1.6 is a left side elevation view thereof;
1.7 is a front and right side perspective view thereof; and
1.8 is a rear and left side perspective view thereof.
The design is directed to a hydraulic controller of brake liquid pressure in a wheel cylinder of a straddle-type vehicle, such as, a motorcycle or a bicycle; the broken lines in the drawings illustrate portions of the hydraulic brake controller that form no part of the claimed design.

1 Claim, 7 Drawing Sheets



(56)

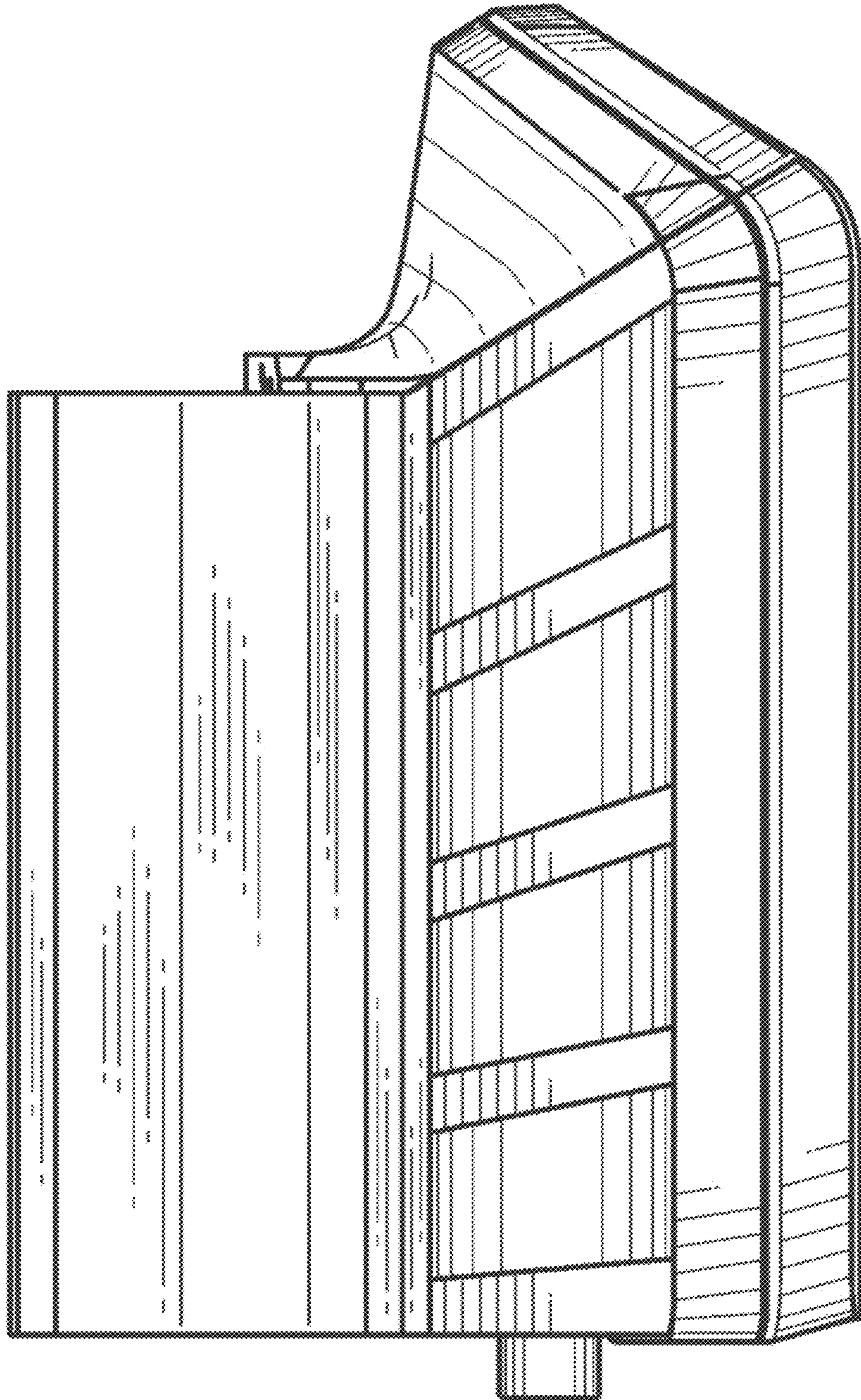
References Cited

U.S. PATENT DOCUMENTS

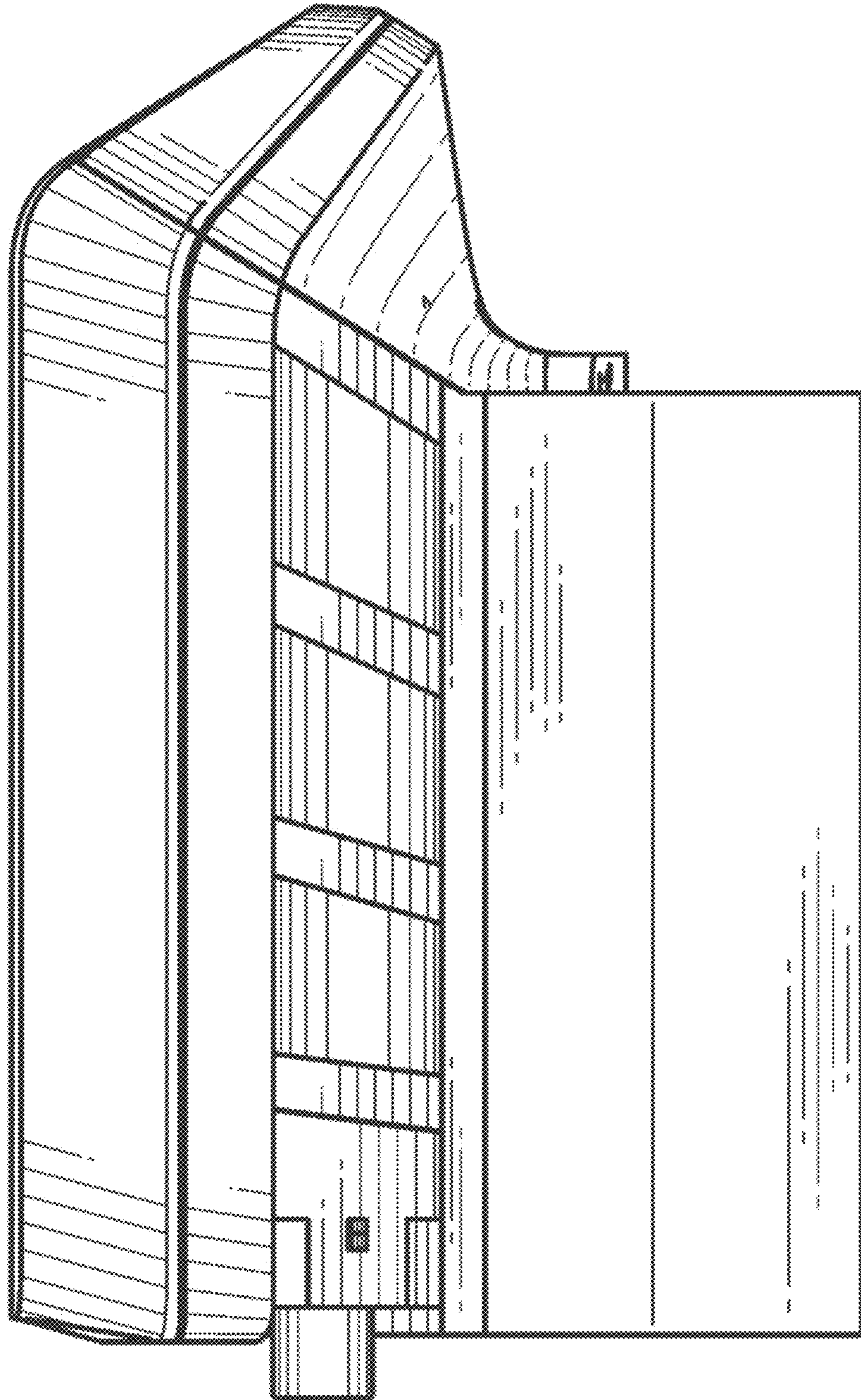
6,412,605 B2 * 7/2002 Campagnolo B62L 1/12
188/24.11
6,564,910 B1 * 5/2003 Chen B62L 1/00
188/24.22
6,761,251 B1 * 7/2004 Wen B62L 3/023
188/26
D512,667 S * 12/2005 Iwasaki D12/180
D548,656 S * 8/2007 Hanamura D12/180
D562,746 S * 2/2008 Wehage D12/179
D574,306 S * 8/2008 Jones D12/180
D575,703 S * 8/2008 Jones D12/180
7,677,365 B2 * 3/2010 Nago B62L 1/16
188/24.19
D675,551 S * 2/2013 Noborio D12/179
D680,043 S * 4/2013 Vloemans D12/180
D770,344 S * 11/2016 Hult D12/180
D856,855 S * 8/2019 Steele D12/114

* cited by examiner

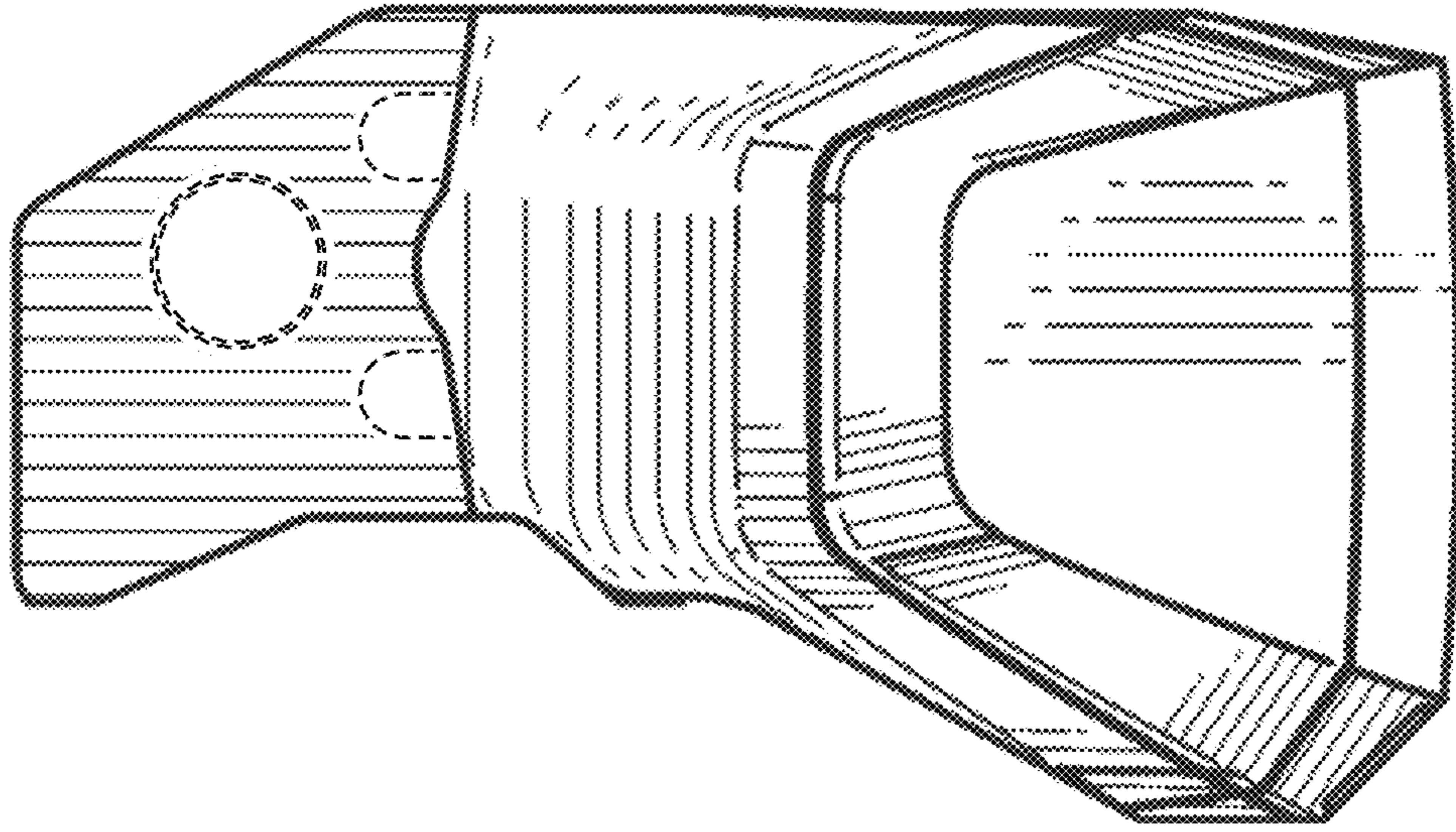
1.1



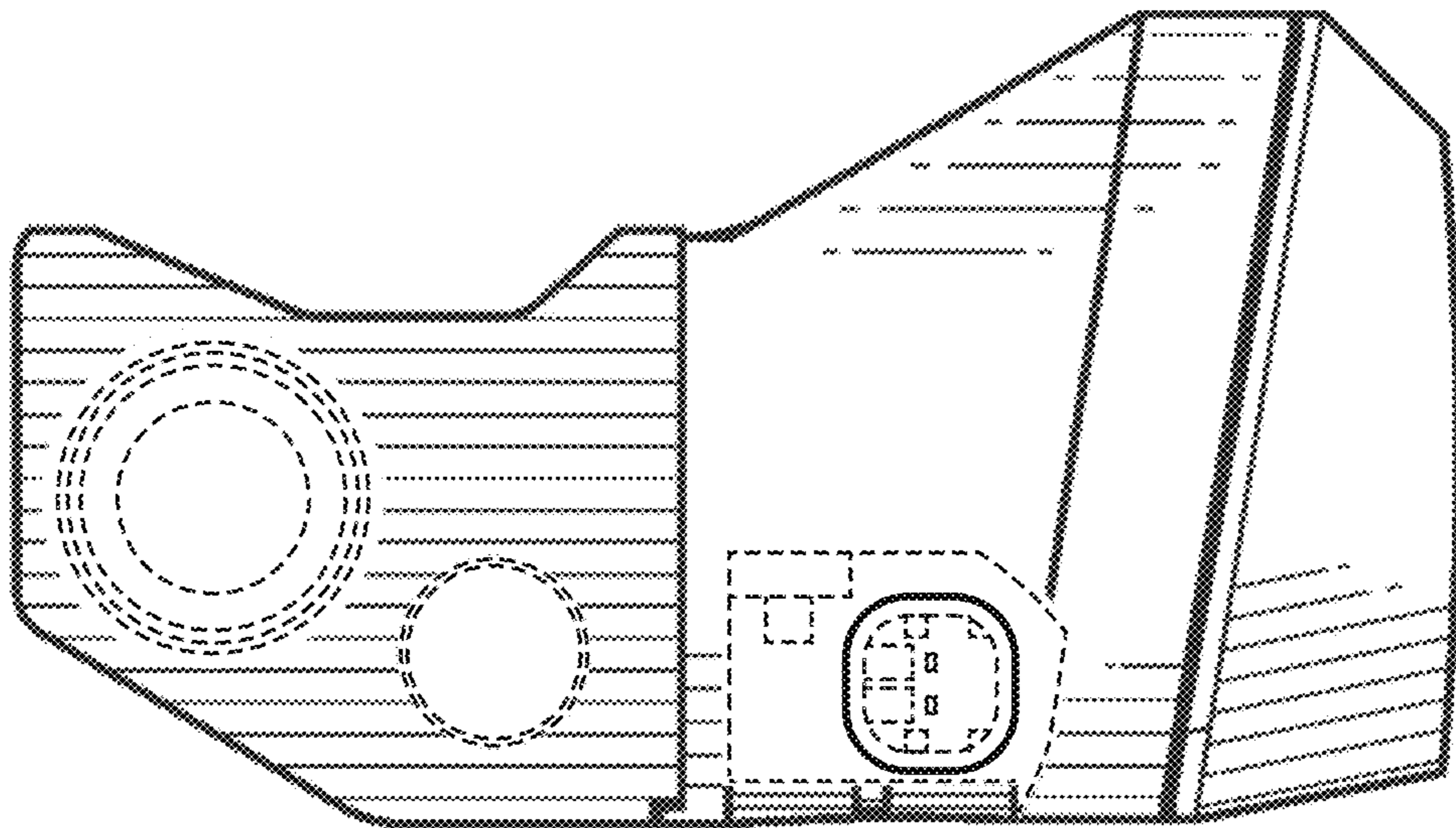
1.2



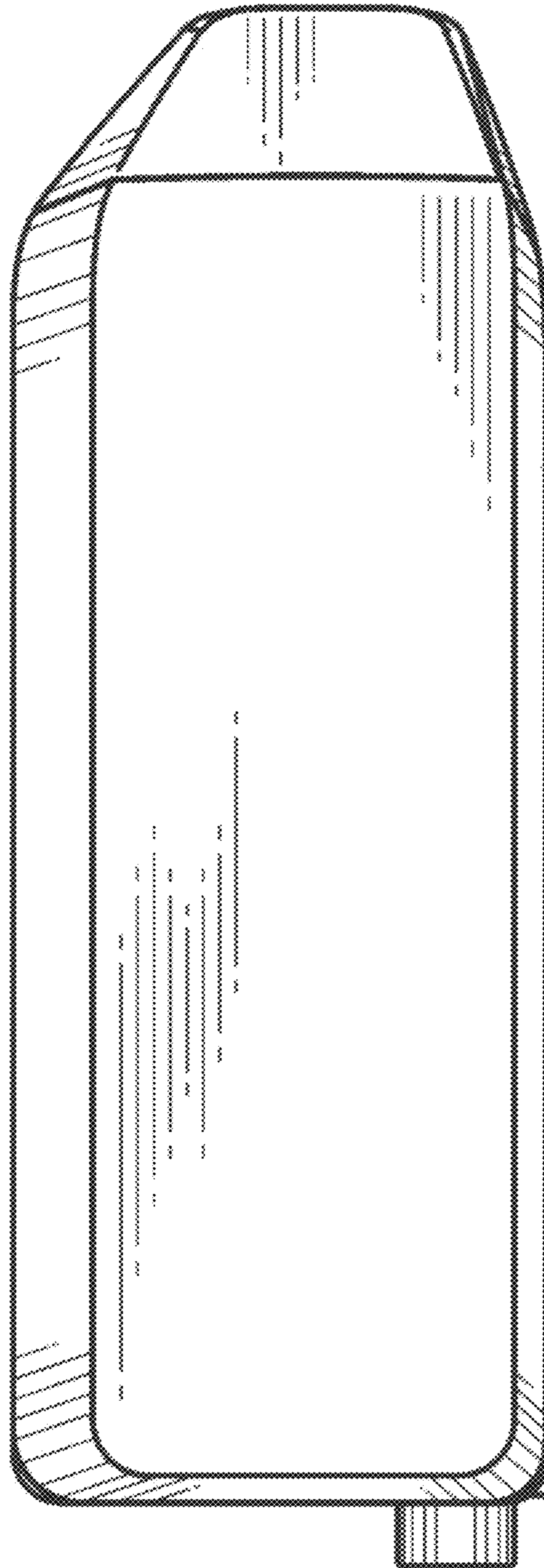
1.3



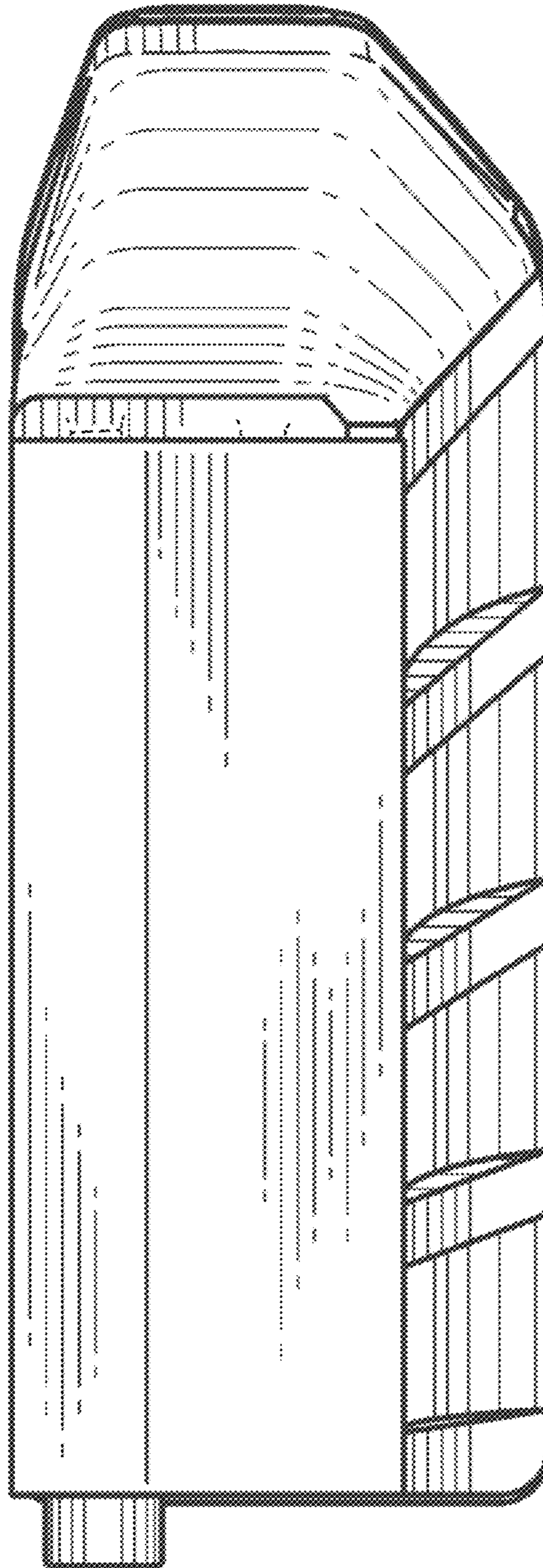
1.4



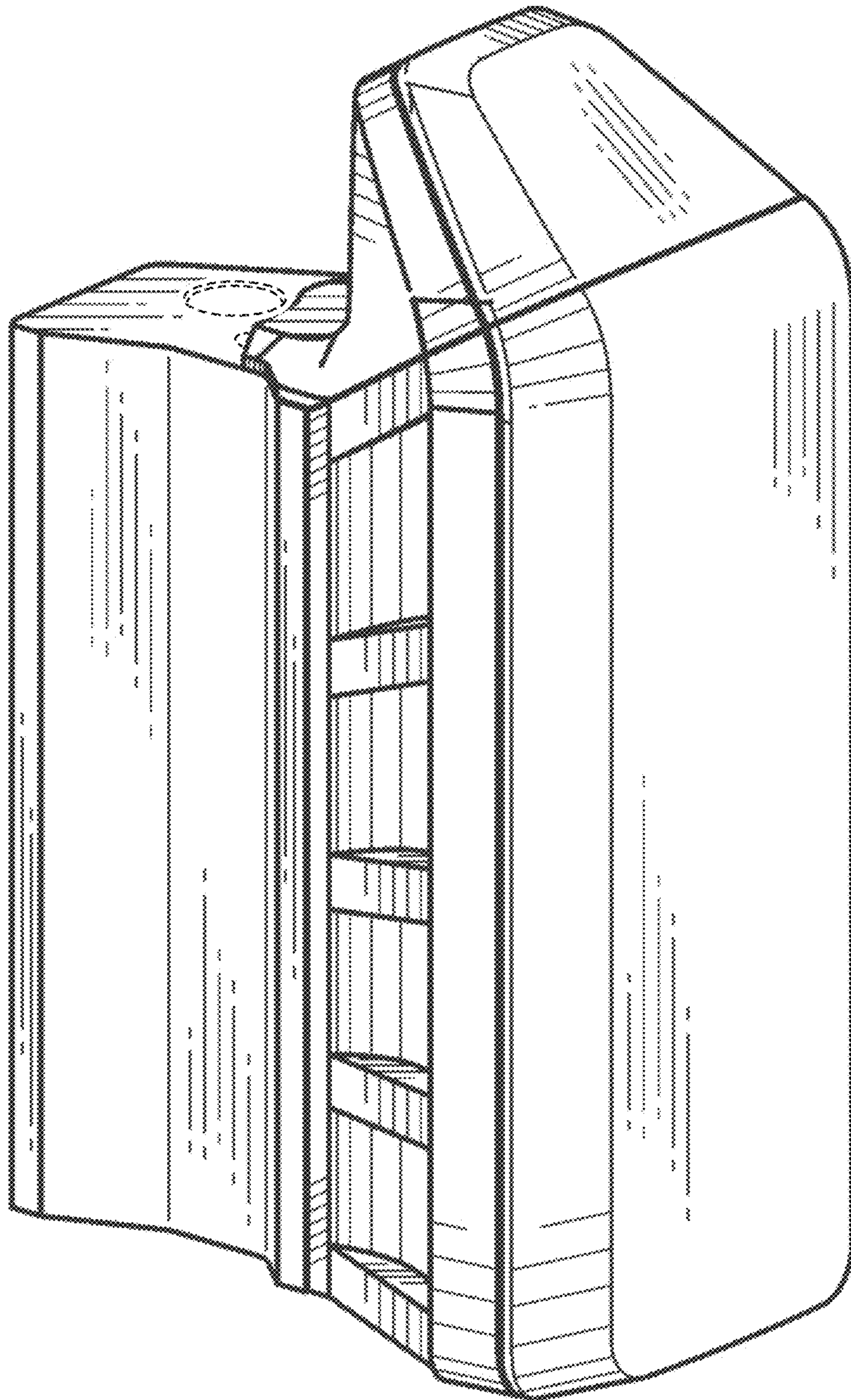
1.5



1.6



1.7



1.8

