



US00D937159S

(12) **United States Design Patent**  
**Jumper**

(10) **Patent No.:** **US D937,159 S**

(45) **Date of Patent:** **\*\* Nov. 30, 2021**

(54) **STEERING RACK**

(71) Applicant: **Ray Shane Jumper**, Tyler, TX (US)

(72) Inventor: **Ray Shane Jumper**, Tyler, TX (US)

(\*\*) Term: **15 Years**

(21) Appl. No.: **29/751,273**

(22) Filed: **Sep. 19, 2020**

(51) **LOC (13) Cl.** ..... **12-16**

(52) **U.S. Cl.**  
USPC ..... **D12/177**

(58) **Field of Classification Search**  
USPC ..... D12/114, 174, 175, 177, 179, 223, 400;  
D34/35; D15/17, 28, 148, 149;  
D21/333, 561  
CPC ..... B62D 3/12; B62D 3/126; B62D 5/0403;  
B62D 5/0421; B62D 5/0424; B62D  
5/0454; B62D 5/0484; B62D 15/02;  
B62D 15/0235; B62D 6/00; F16H 57/039  
See application file for complete search history.

2015/0204435 A1\* 7/2015 Kunishima ..... B29C 45/14786  
74/606 R  
2015/0266500 A1\* 9/2015 Zaike ..... F16H 57/029  
74/422  
2016/0052539 A1\* 2/2016 Ueno ..... B62D 7/163  
74/109  
2016/0059883 A1\* 3/2016 Mizutani ..... F16C 33/20  
74/422  
2016/0355209 A1\* 12/2016 Noll ..... B62D 5/0403  
2019/0185049 A1\* 6/2019 Nemeth ..... B62D 3/126  
2019/0210635 A1\* 7/2019 Sato ..... F16H 55/26  
2019/0283797 A1\* 9/2019 Steck ..... B62D 5/0454  
2020/0231201 A1\* 7/2020 Hafermalz ..... B62D 5/0421

\* cited by examiner

*Primary Examiner* — Christian P. McLean

*Assistant Examiner* — Adam C Mager

(74) *Attorney, Agent, or Firm* — Patentfile, LLC; Bradley  
C. Fach

(57) **CLAIM**

The ornamental design for a steering rack, as shown and described.

(56) **References Cited**

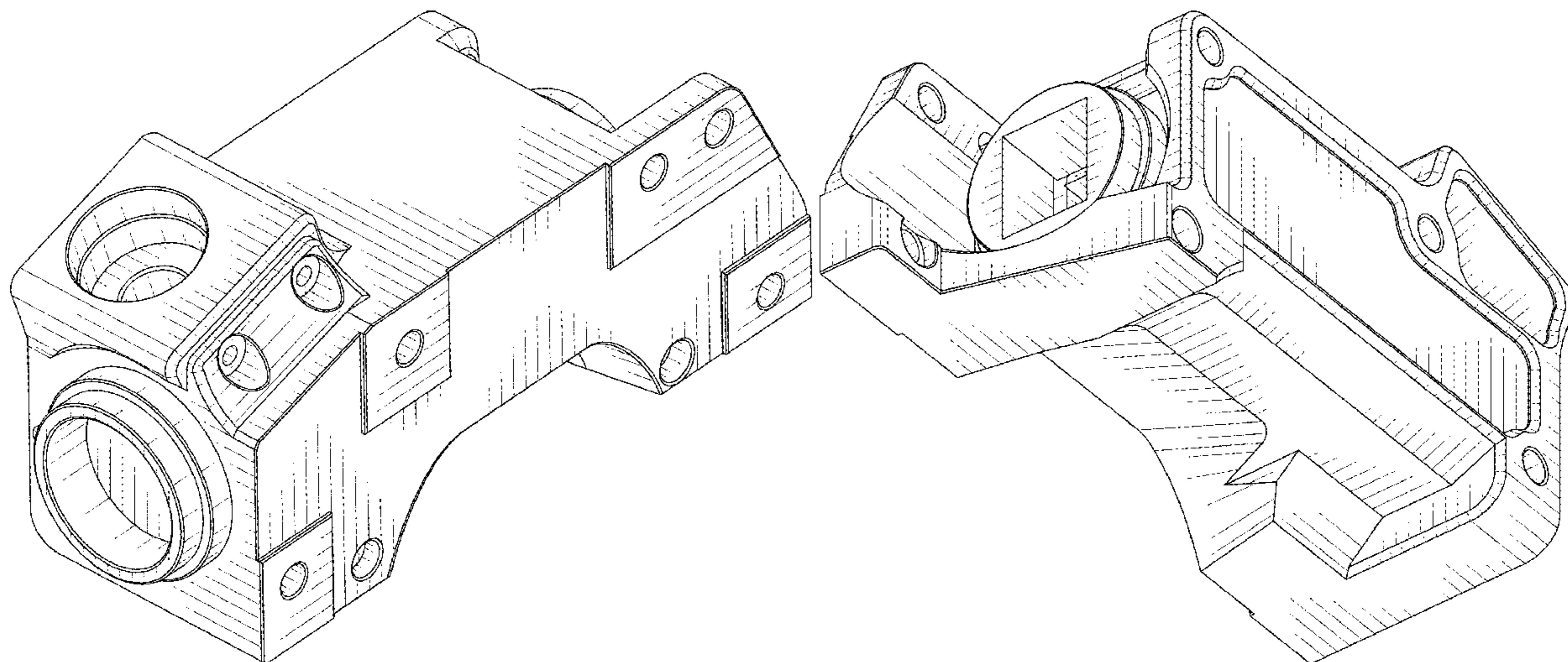
U.S. PATENT DOCUMENTS

D440,240 S \* 4/2001 Buch ..... D15/149  
2007/0169985 A1\* 7/2007 Peringat ..... B62D 5/22  
180/427  
2008/0184830 A1\* 8/2008 Arlt ..... B62D 3/123  
74/388 PS  
2013/0036845 A1\* 2/2013 Amada ..... F16H 55/285  
74/30  
2014/0216184 A1\* 8/2014 Meyer ..... F16H 19/04  
74/30  
2014/0260719 A1\* 9/2014 Bae ..... B62D 3/123  
74/30

**DESCRIPTION**

FIG. 1 is a perspective view showing the new, original, and ornamental design of a steering rack;  
FIG. 2 is a front elevation view thereof;  
FIG. 3 is a rear elevation view thereof;  
FIG. 4 is a left elevation view thereof;  
FIG. 5 is a right elevation view thereof;  
FIG. 6 is a top plan view thereof;  
FIG. 7 is a bottom plan view thereof; and,  
FIG. 8 is a perspective view thereof.

**1 Claim, 5 Drawing Sheets**



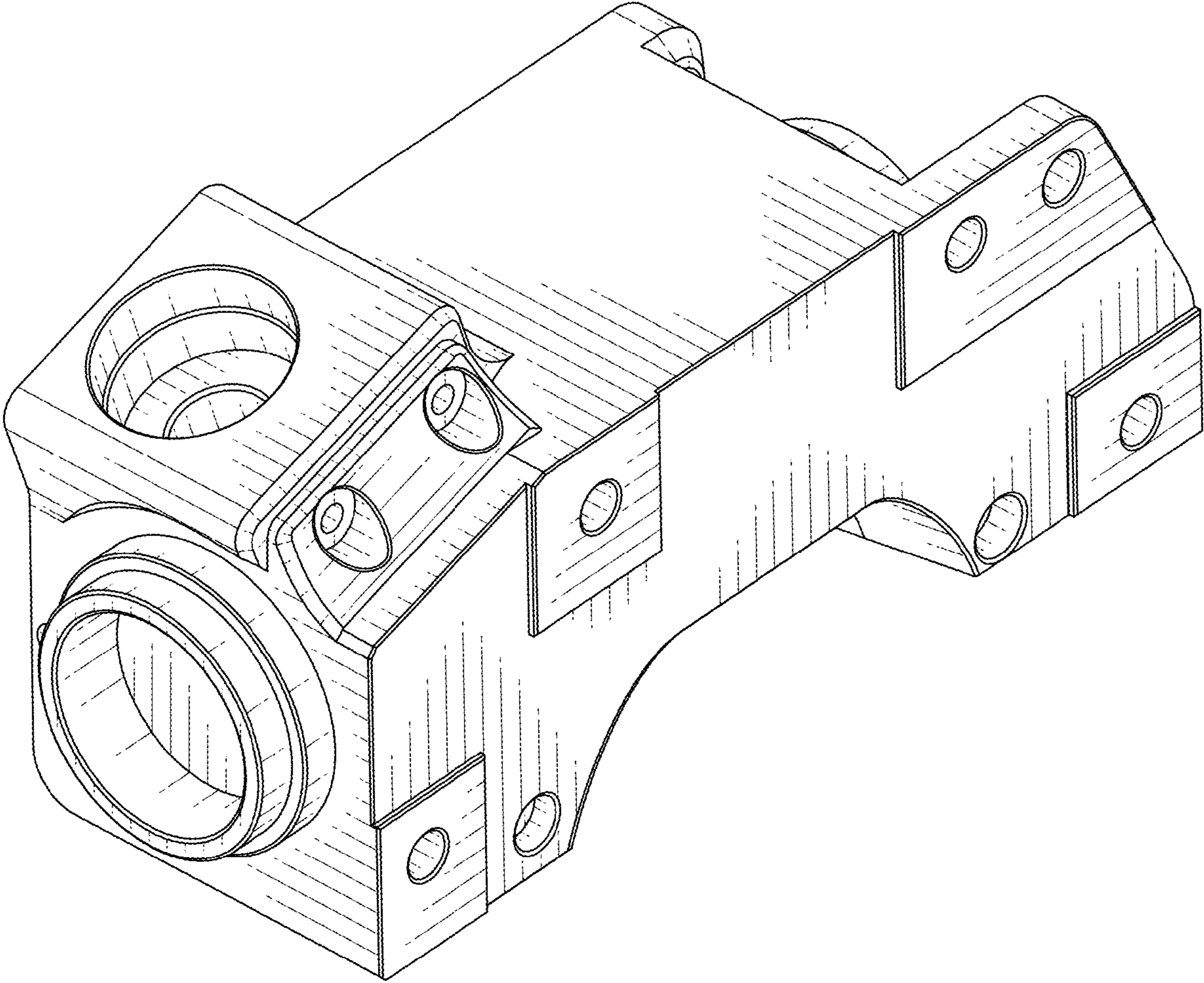


FIG. 1

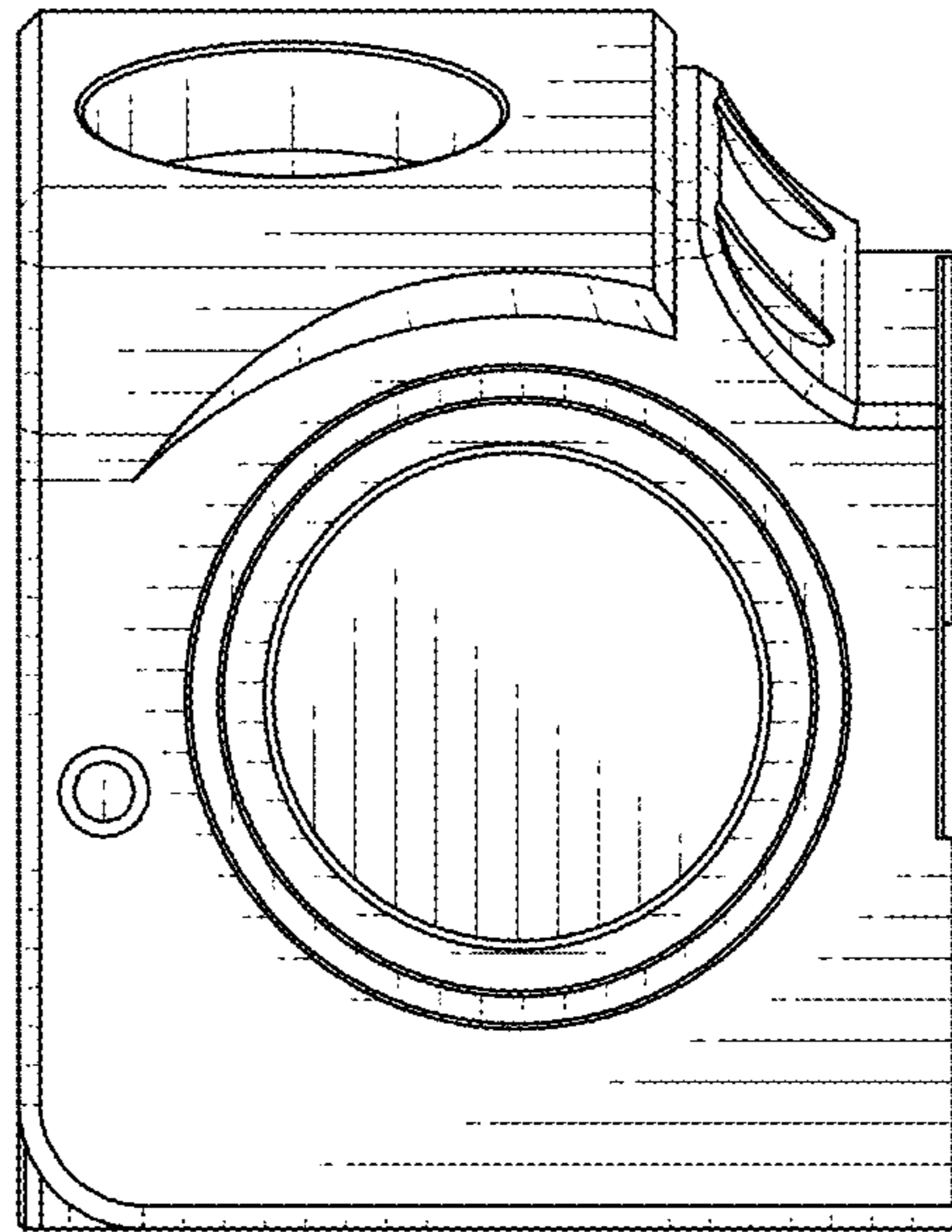


FIG. 2

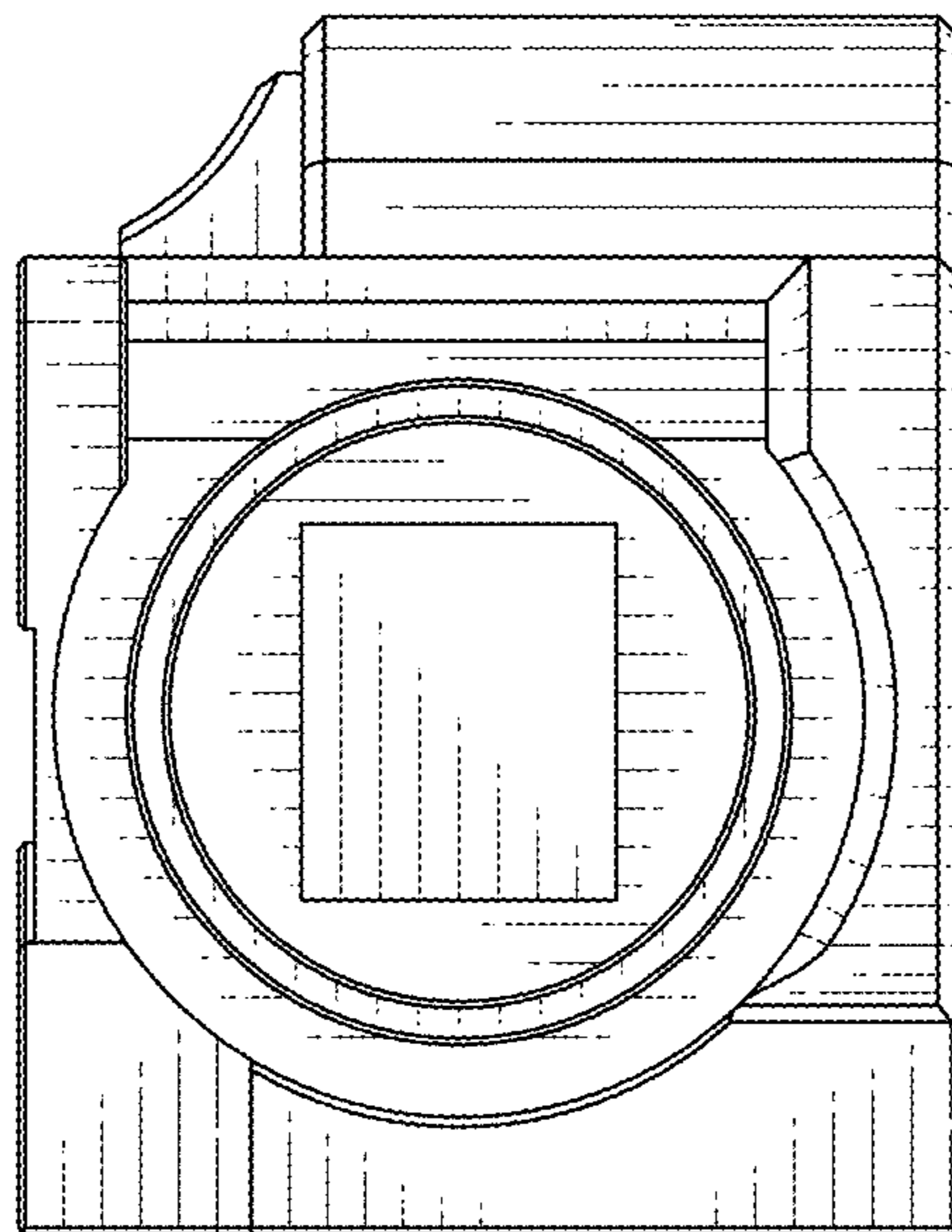


FIG. 3



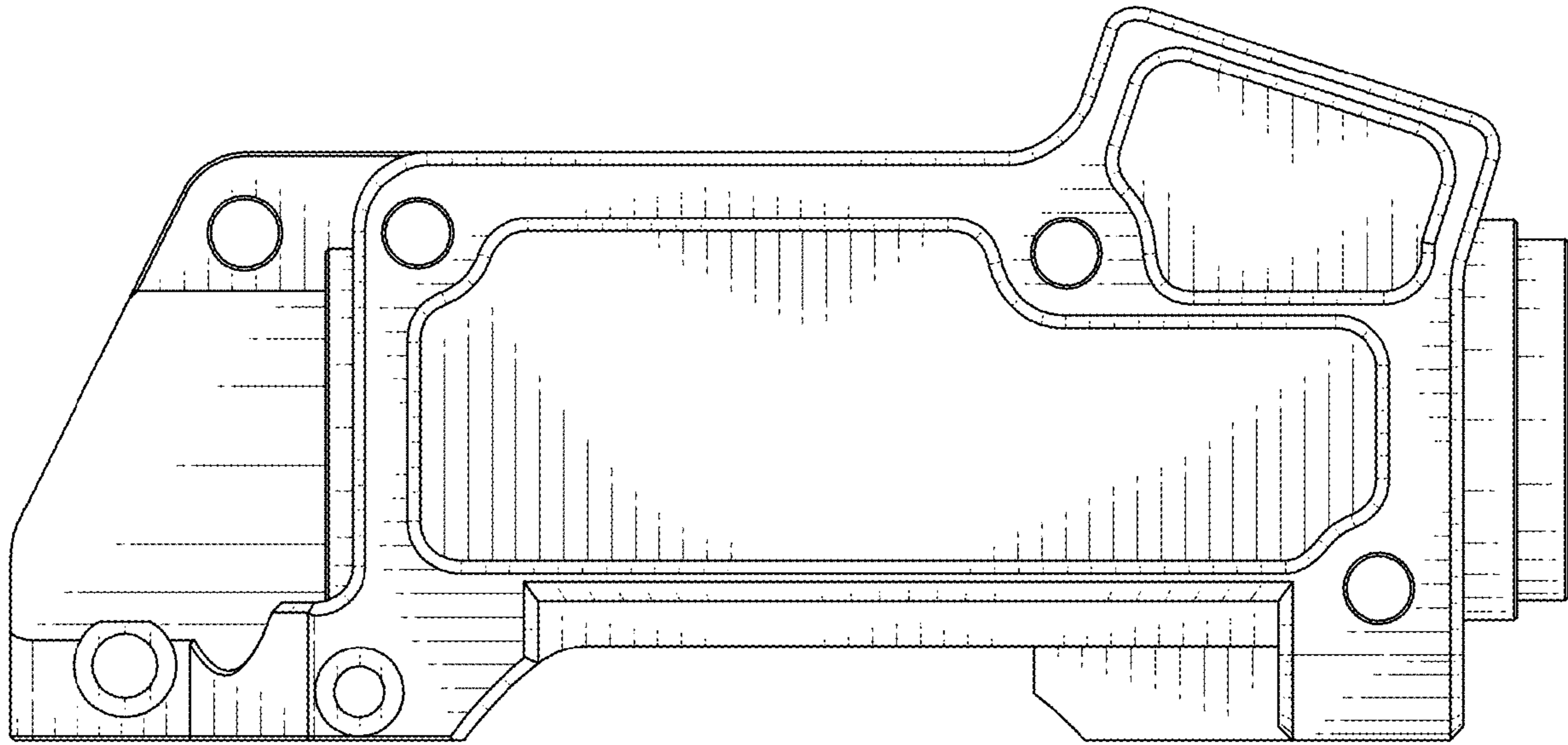


FIG. 4

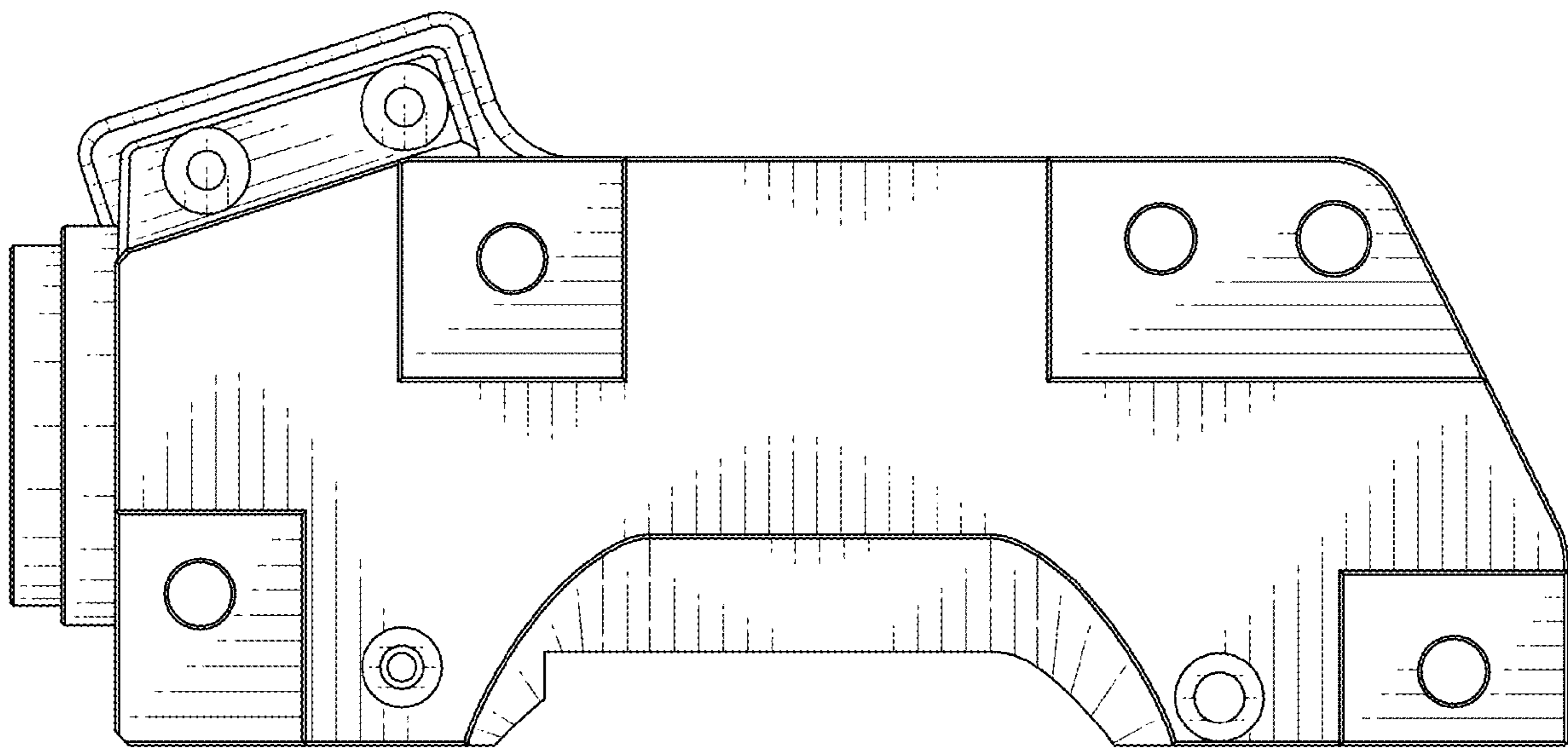


FIG. 5

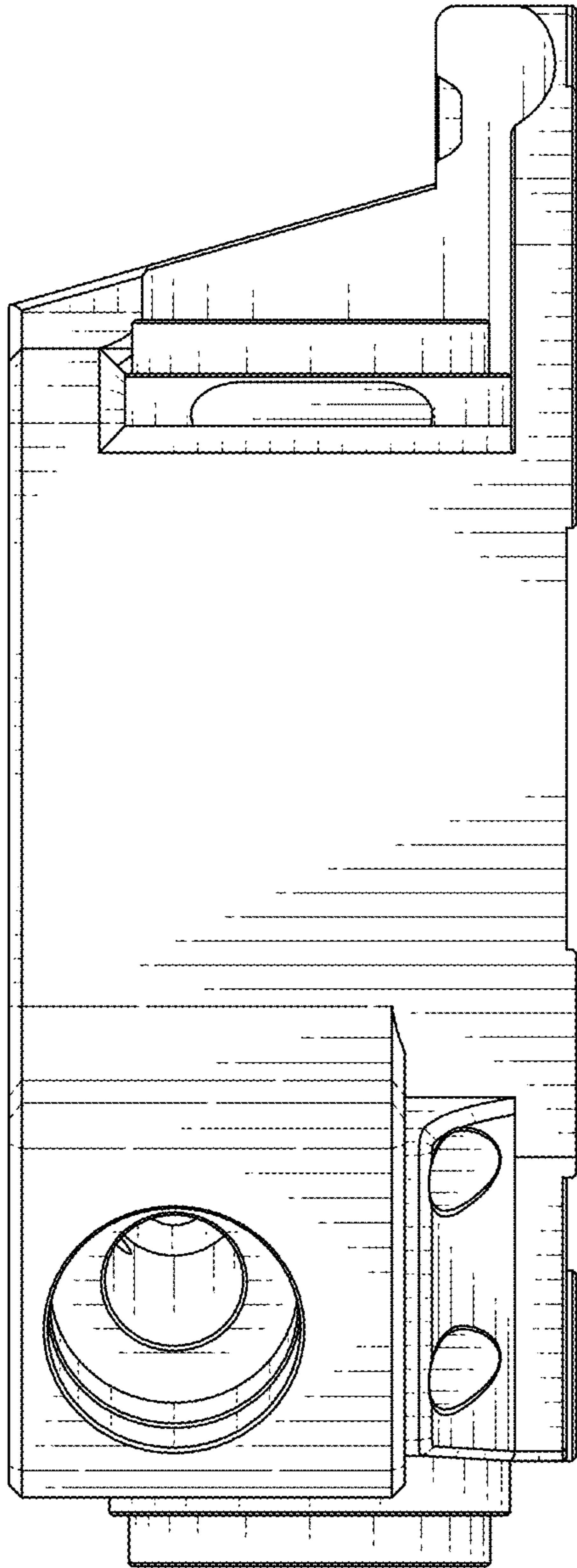


FIG. 6

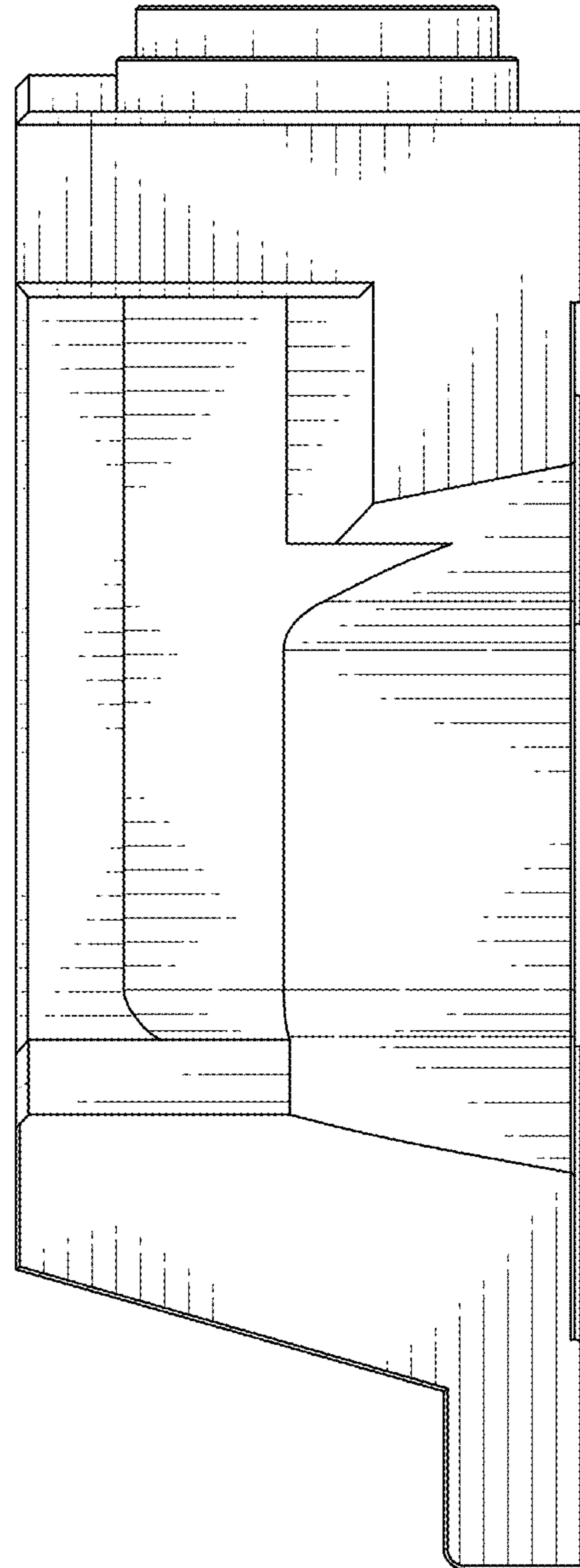


FIG. 7

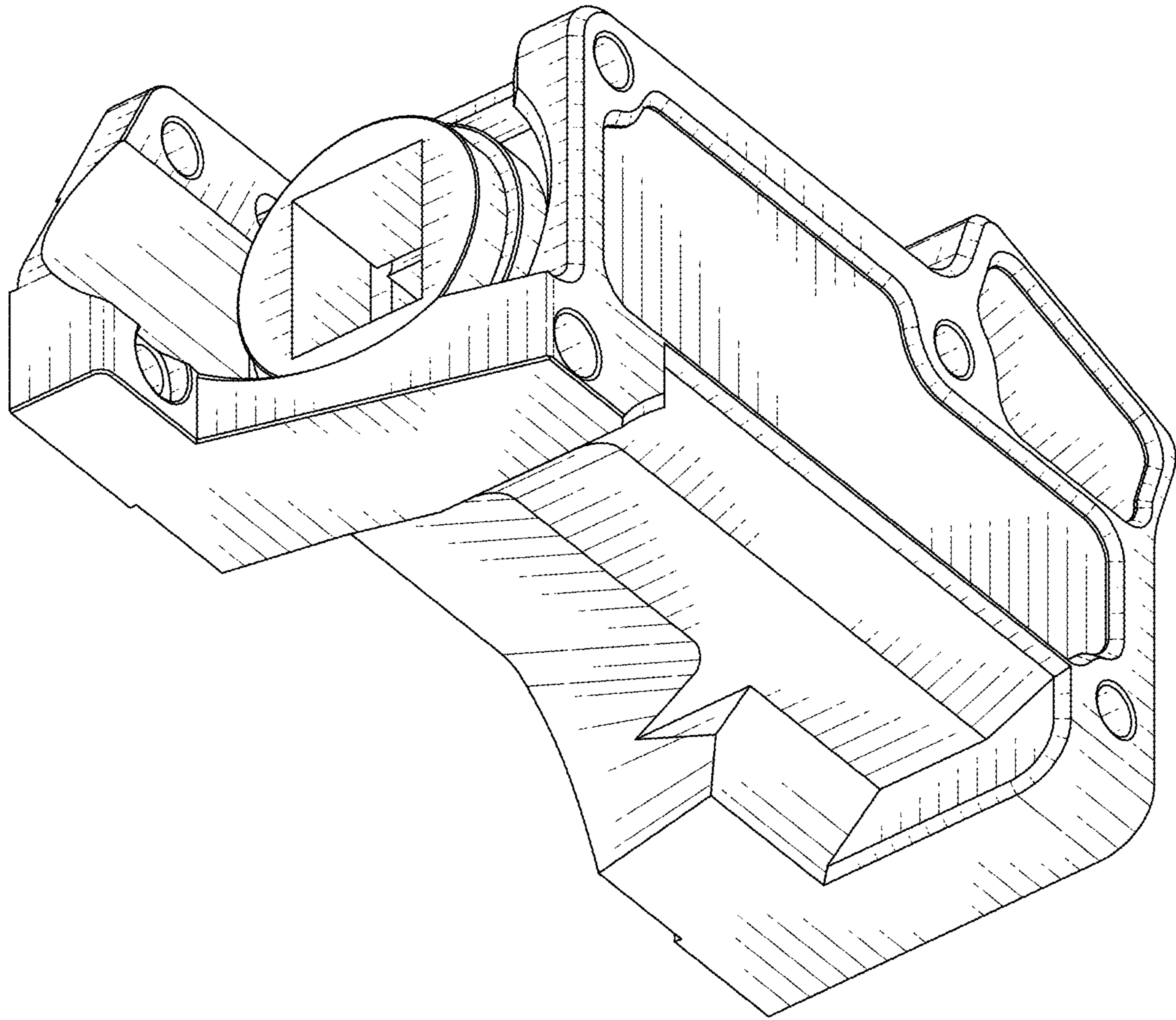


FIG. 8