



US00D937156S

(12) **United States Design Patent** (10) **Patent No.:** **US D937,156 S**  
**Kaoud et al.** (45) **Date of Patent:** **\*\* Nov. 30, 2021**

(54) **VEHICLE REAR LOWER BUMPER COVER**

(71) Applicant: **Ford Global Technologies, LLC**,  
Dearborn, MI (US)

(72) Inventors: **Ehab N. Kaoud**, Livonia, MI (US);  
**William K. Moore**, West Bloomfield,  
MI (US); **Adam Riccobelli**, Ferndale,  
MI (US)

(73) Assignee: **Ford Global Technologies, LLC**,  
Dearborn, MI (US)

(\*\*) Term: **15 Years**

(21) Appl. No.: **29/749,419**

(22) Filed: **Sep. 4, 2020**

(51) **LOC (13) Cl.** ..... **12-16**

(52) **U.S. Cl.**  
USPC ..... **D12/169**

(58) **Field of Classification Search**  
USPC ..... D12/86, 88, 89, 90, 91, 92, 93, 96, 163,  
D12/164, 167, 169, 173, 181, 184, 185,  
D12/190, 192, 196, 400; D21/533, 548,  
D21/552, 561

CPC ..... B60R 19/00; B60R 19/02; B60R 19/18;  
B60R 19/24; B60R 19/56; B60R  
2019/007; B60R 13/04; B60K 11/08;  
B62D 25/02; B62D 25/08

See application file for complete search history.

(56) **References Cited**

**U.S. PATENT DOCUMENTS**

D477,258 S \* 7/2003 Hayashi ..... D12/169  
D491,496 S \* 6/2004 Metros ..... D12/169  
D497,851 S \* 11/2004 Metros ..... D12/169  
D531,556 S \* 11/2006 Metros ..... D12/169  
D579,828 S \* 11/2008 Bucher ..... D12/163  
D623,569 S \* 9/2010 Cogswell ..... D12/169  
D627,276 S \* 11/2010 Krugger ..... D12/169  
D713,306 S \* 9/2014 Sperling ..... D12/169

D721,304 S \* 1/2015 Platto ..... D12/169  
D755,688 S \* 5/2016 Sato ..... D12/169  
D761,164 S \* 7/2016 Platto ..... D12/169  
D775,561 S \* 1/2017 Platto ..... D12/169  
D789,848 S \* 6/2017 Platto ..... D12/169  
D809,429 S \* 2/2018 Platto ..... D12/98  
10,029,634 B1 \* 7/2018 Diaz ..... B60R 19/18  
D869,355 S \* 12/2019 Dewitt ..... D12/169  
D869,356 S \* 12/2019 Dewitt ..... D12/169  
D869,357 S \* 12/2019 Dewitt ..... D12/169

(Continued)

**OTHER PUBLICATIONS**

F-150 Tremor, Published Dec. 8, 2020 [online], [retrieved on Aug. 1, 2021], Retrieved from the Internet: <https://www.caranddriver.com/photos/g34895750/2021-ford-f-150-tremor-revealed-gallery/?slide=6> (Year: 2020).\*

*Primary Examiner* — Christian P. McLean

*Assistant Examiner* — Adam C Mager

(74) *Attorney, Agent, or Firm* — Michael Spenner

(57) **CLAIM**

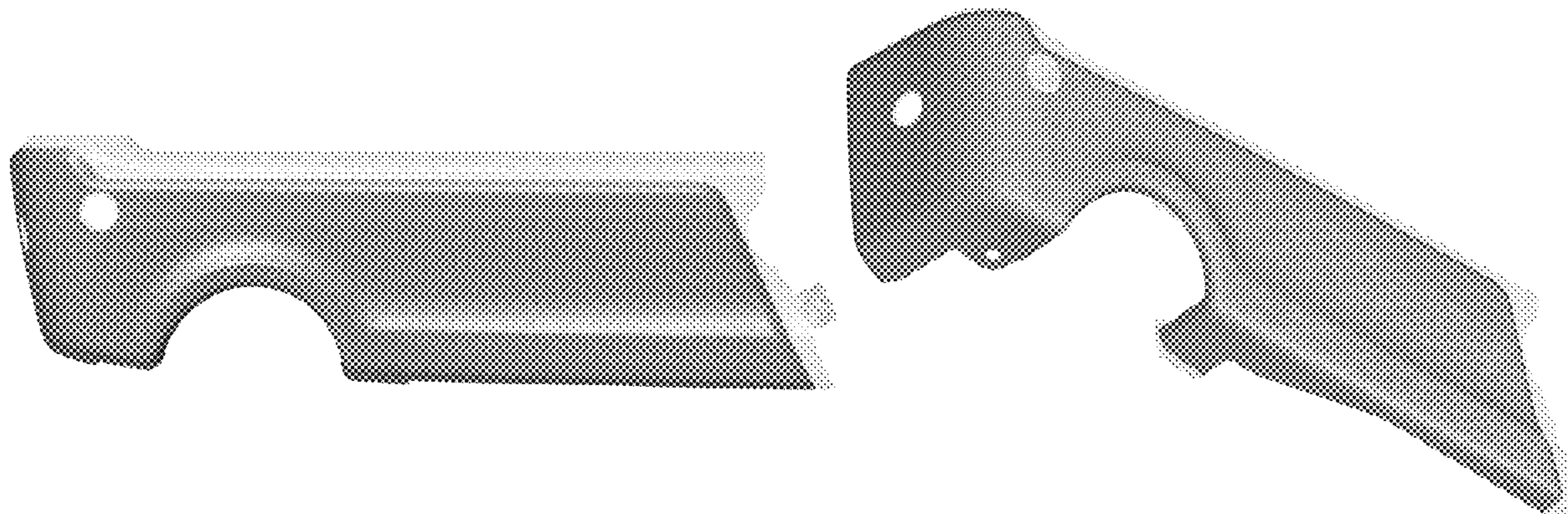
The ornamental design for a vehicle rear lower bumper cover, as shown and described.

**DESCRIPTION**

FIG. 1 is a front elevational view of a vehicle rear lower bumper cover, showing our new design;  
FIG. 2 is a left side elevational view thereof;  
FIG. 3 is a right side elevational view thereof;  
FIG. 4 is a top plan view thereof;  
FIG. 5 is a bottom plan view thereof;  
FIG. 6 is a top, front and left side perspective view thereof;  
and,  
FIG. 7 is a bottom, front and left side perspective view thereof.

The claimed design is indicated by the relatively dark portions in the figures. The de-emphasized and relatively light portions form no part of the claimed design.

**1 Claim, 7 Drawing Sheets**



(56)

**References Cited**

U.S. PATENT DOCUMENTS

D869,991 S \* 12/2019 Dewitt ..... D12/98  
D869,992 S \* 12/2019 Dewitt ..... D12/98  
10,688,948 B2 \* 6/2020 Campbell ..... B60R 19/18  
D892,686 S \* 8/2020 Dewitt ..... D12/169  
D899,317 S \* 10/2020 Dewitt ..... D12/98  
D899,318 S \* 10/2020 Dewitt ..... D12/98  
D899,319 S \* 10/2020 Dewitt ..... D12/98  
D906,908 S \* 1/2021 Dewitt ..... D12/169  
D907,543 S \* 1/2021 Dewitt ..... D12/169  
D913,163 S \* 3/2021 Kaoud ..... D12/98  
D924,751 S \* 7/2021 Kaoud ..... D12/169  
2013/0038076 A1 \* 2/2013 Benvenuto ..... B60R 19/18  
293/120  
2017/0297520 A1 \* 10/2017 Perucca ..... B60R 19/18  
2018/0029550 A1 \* 2/2018 Campbell ..... B60R 19/26

\* cited by examiner

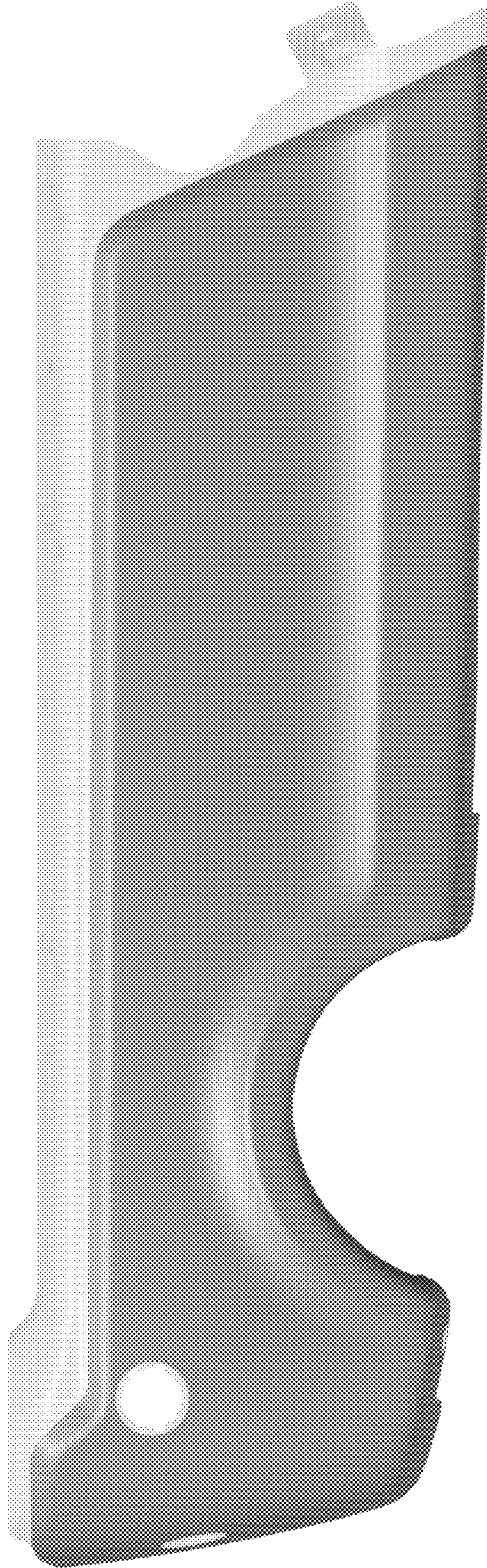


Fig. 1

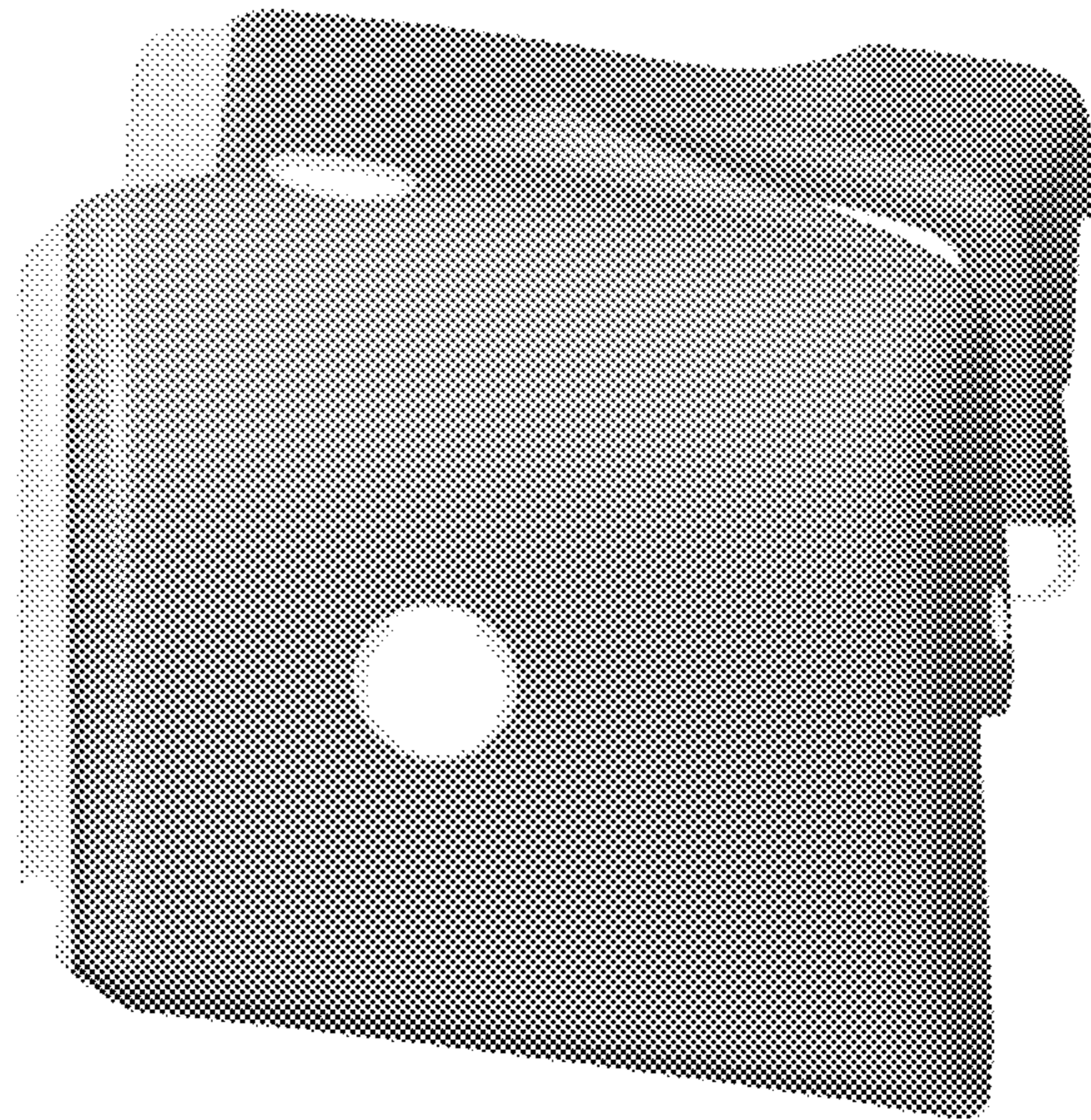


Fig. 2

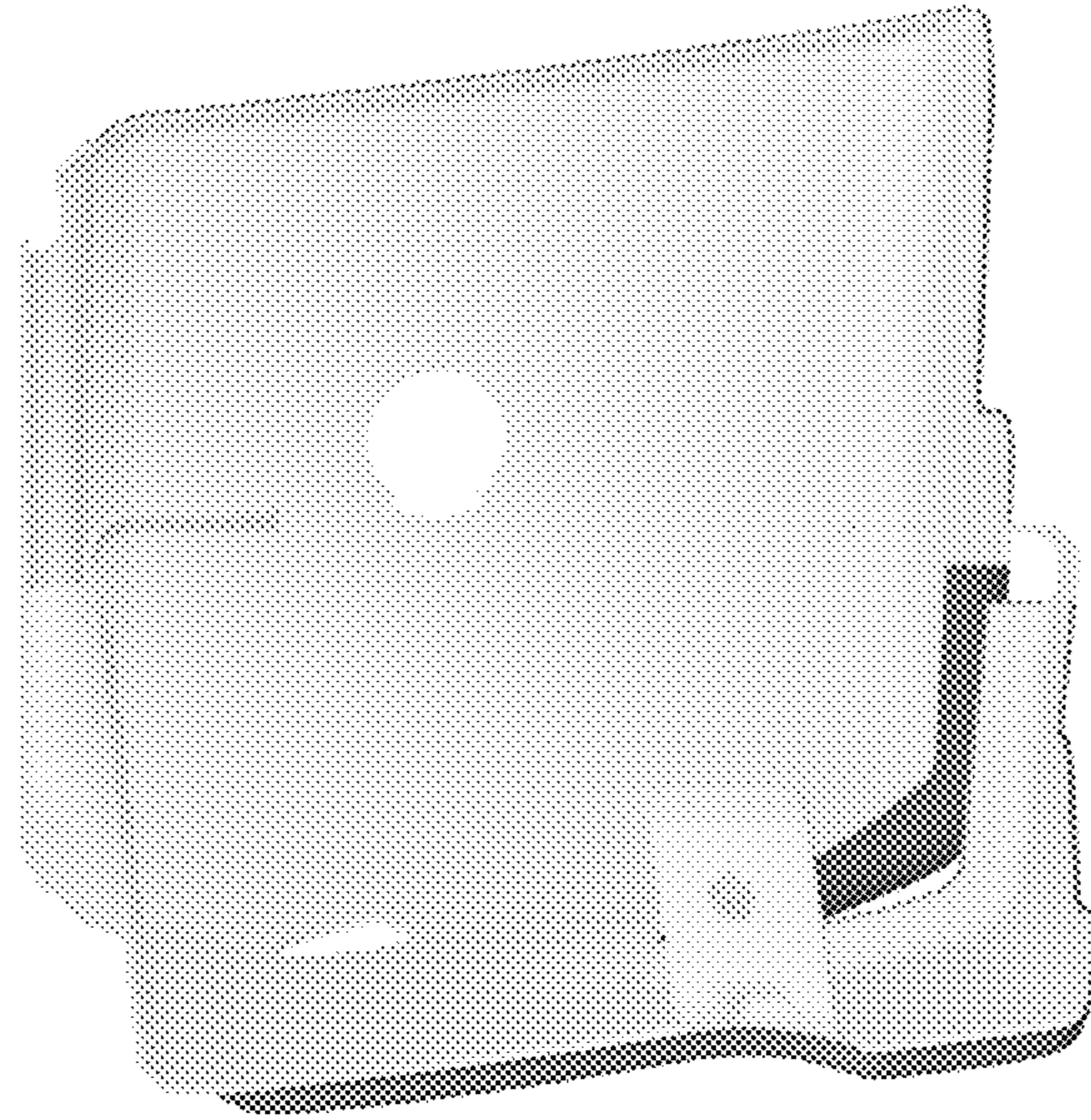


Fig. 3



Fig.4

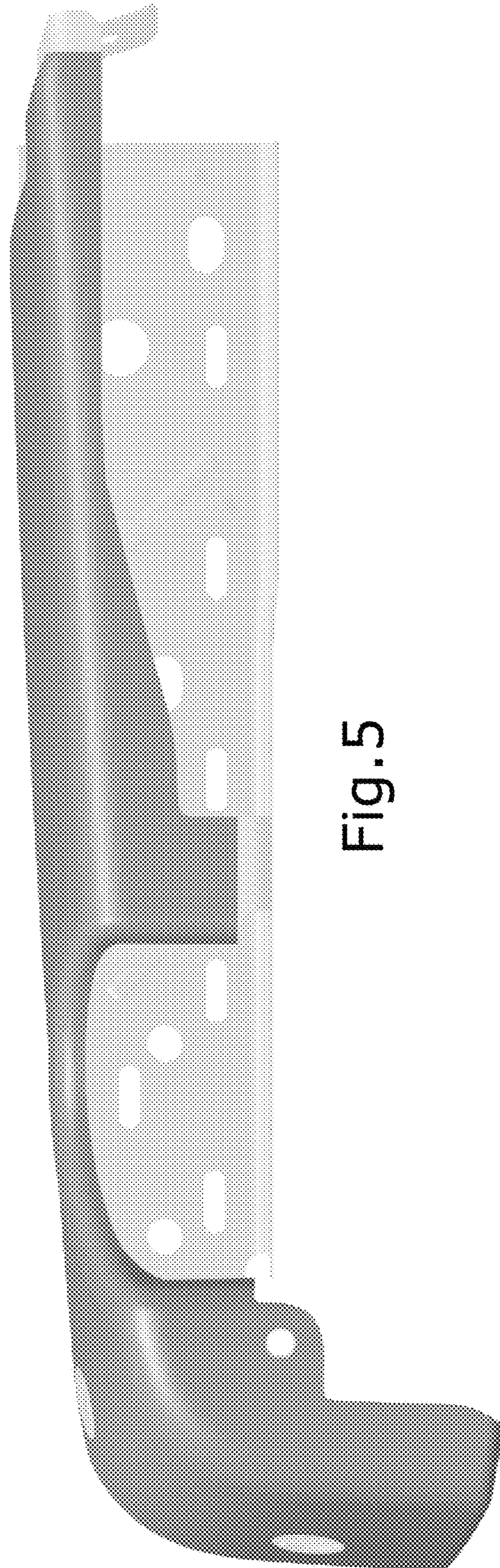


Fig. 5

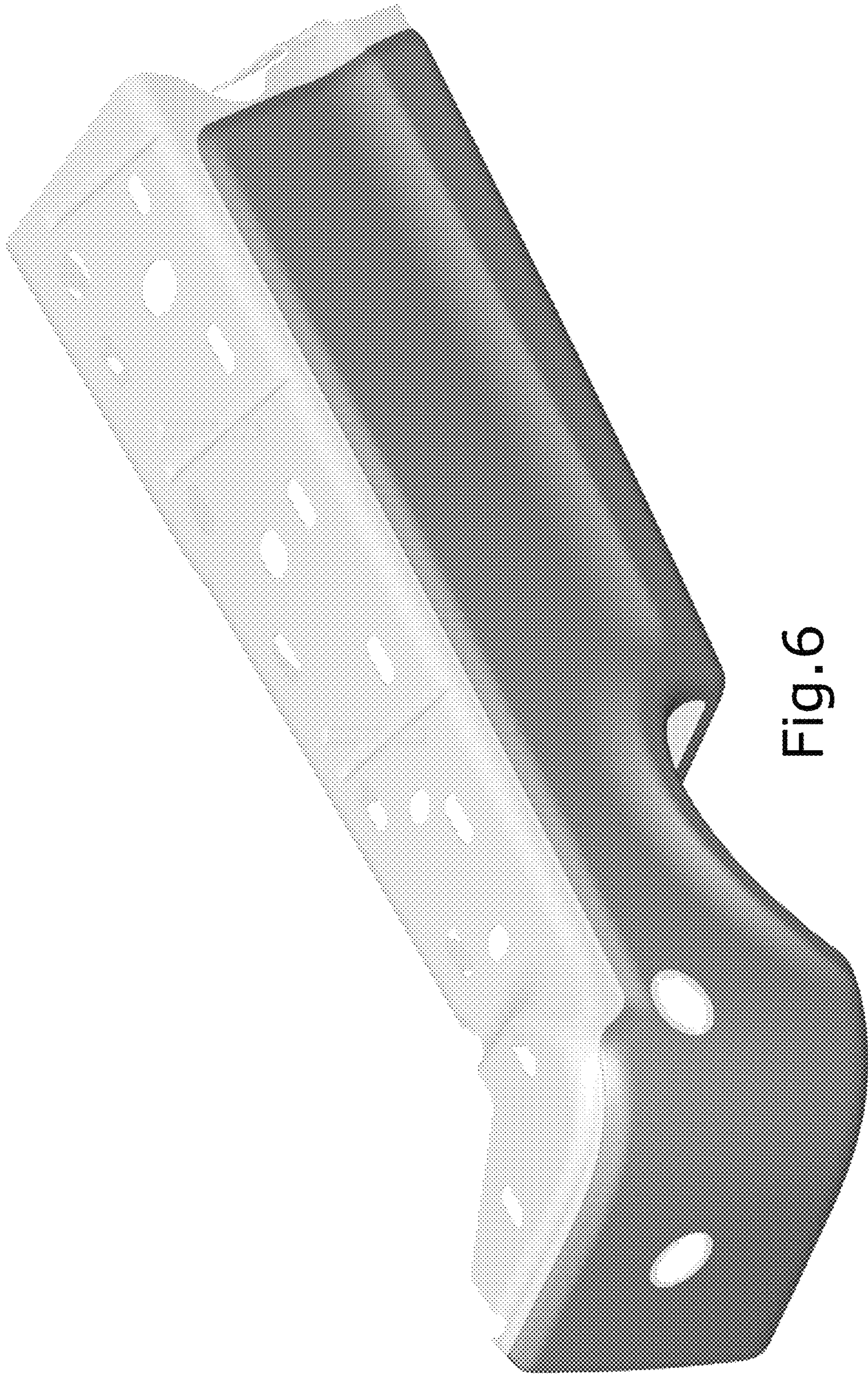


Fig. 6



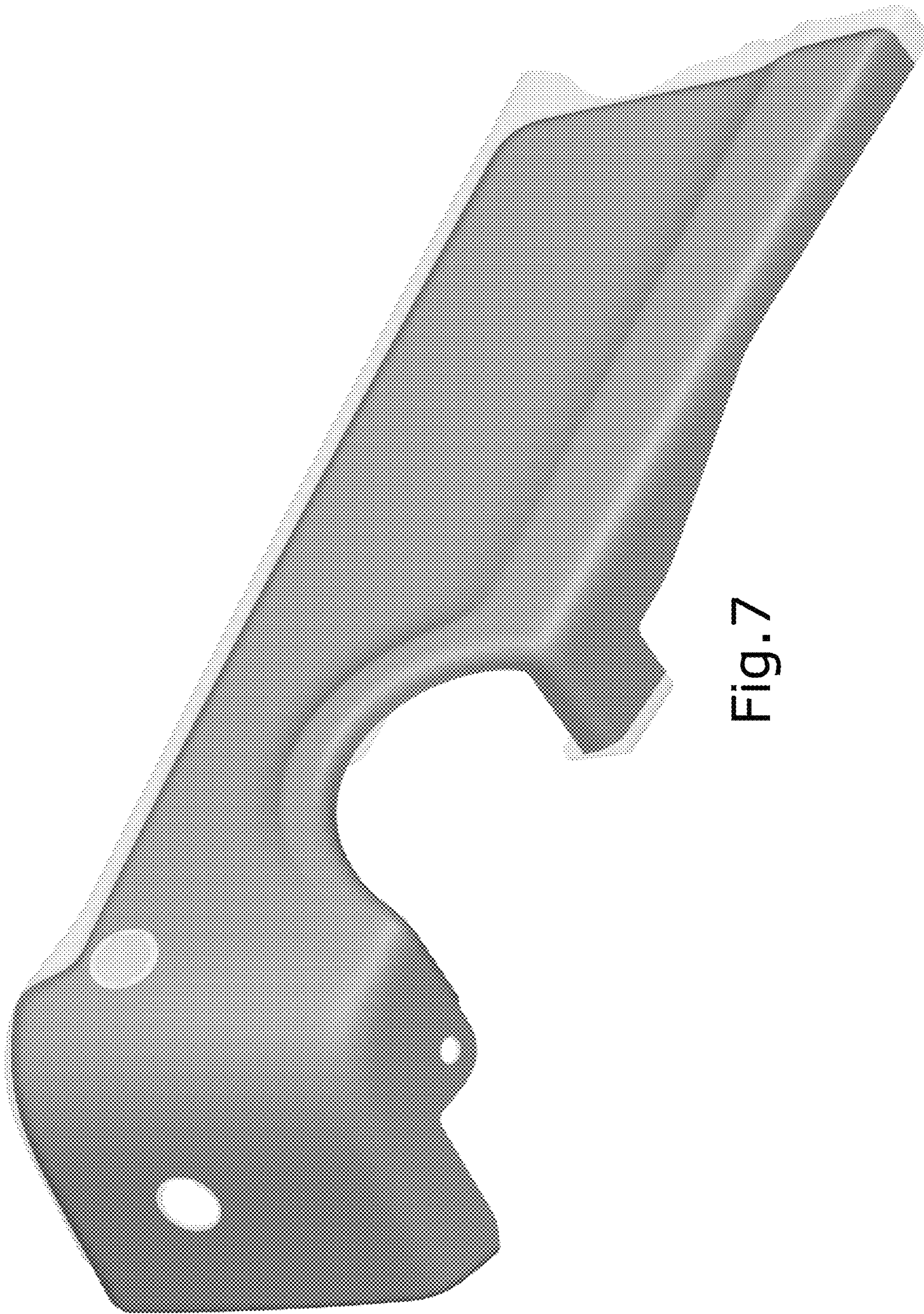


Fig. 7