



US00D937152S

(12) **United States Design Patent** (10) **Patent No.:** **US D937,152 S**  
**Hamilton et al.** (45) **Date of Patent:** **\*\* Nov. 30, 2021**

- (54) **VEHICLE FRONT BUMPERETTE**
- (71) Applicant: **Ford Global Technologies, LLC**, Dearborn, MI (US)
- (72) Inventors: **Christopher Hamilton**, Chelmsford (GB); **Jordan Bennett**, Brentwood (GB); **Simon Collins**, Sevenoaks (GB); **Daniel Rodriguez-Ramiro**, London (GB); **Elvir Mesalic**, Plymouth, MI (US)
- (73) Assignee: **Ford Global Technologies, LLC**, Dearborn, MI (US)
- (\*\*) Term: **15 Years**
- (21) Appl. No.: **29/731,719**
- (22) Filed: **Apr. 17, 2020**
- (51) **LOC (13) Cl.** ..... **12-16**
- (52) **U.S. Cl.**  
USPC ..... **D12/169**
- (58) **Field of Classification Search**  
USPC .... D12/86, 88, 89, 90, 91, 92, 93, 163, 164, D12/167, 169, 171, 172, 173, 181, 184, D12/185, 190, 192, 196, 216, 223, 400; D21/533, 548, 552, 561  
CPC ..... B60R 19/00; B60R 19/02; B60R 19/18; B60R 19/24; B60R 19/52; B60R 19/56; B60R 2019/007; B60R 2019/525; B60R 2019/527; B60R 13/04; B60K 11/08; B62D 25/08  
See application file for complete search history.

- (56) **References Cited**  
U.S. PATENT DOCUMENTS  
4,172,745 A \* 10/1979 Van Manen ..... B32B 37/153 156/84  
D423,437 S \* 4/2000 Saleen ..... D12/167  
D712,319 S \* 9/2014 Mays ..... D12/163

- D763,152 S \* 8/2016 Frascella ..... D12/190
- D769,159 S \* 10/2016 Platto ..... D12/163
- D807,264 S \* 1/2018 Henstridge ..... D12/190
- D837,699 S \* 1/2019 Austin ..... D12/163
- D854,474 S \* 7/2019 Grand ..... D12/190
- D854,993 S \* 7/2019 Von Holzhausen ..... D12/196
- D890,664 S \* 7/2020 Feng ..... D12/196
- D899,323 S \* 10/2020 Wiltshire ..... D12/164
- D913,163 S \* 3/2021 Kaoud ..... D12/98
- D916,636 S \* 4/2021 Grand ..... D12/190

(Continued)

**OTHER PUBLICATIONS**

2021 Ford Ranger, Published date unavailable [online], [retrieved on Jul. 29, 2021]. Retrieved from the Internet: [https://blogmedia.dealerfire.com/wp-content/uploads/sites/1027/2021/01/2021-Ford-Ranger-in-Cyber-Orange\\_o.jpg](https://blogmedia.dealerfire.com/wp-content/uploads/sites/1027/2021/01/2021-Ford-Ranger-in-Cyber-Orange_o.jpg) (Year: 2021).\*

*Primary Examiner* — Christian P. McLean  
*Assistant Examiner* — Adam C Mager  
(74) *Attorney, Agent, or Firm* — Michael Spenner

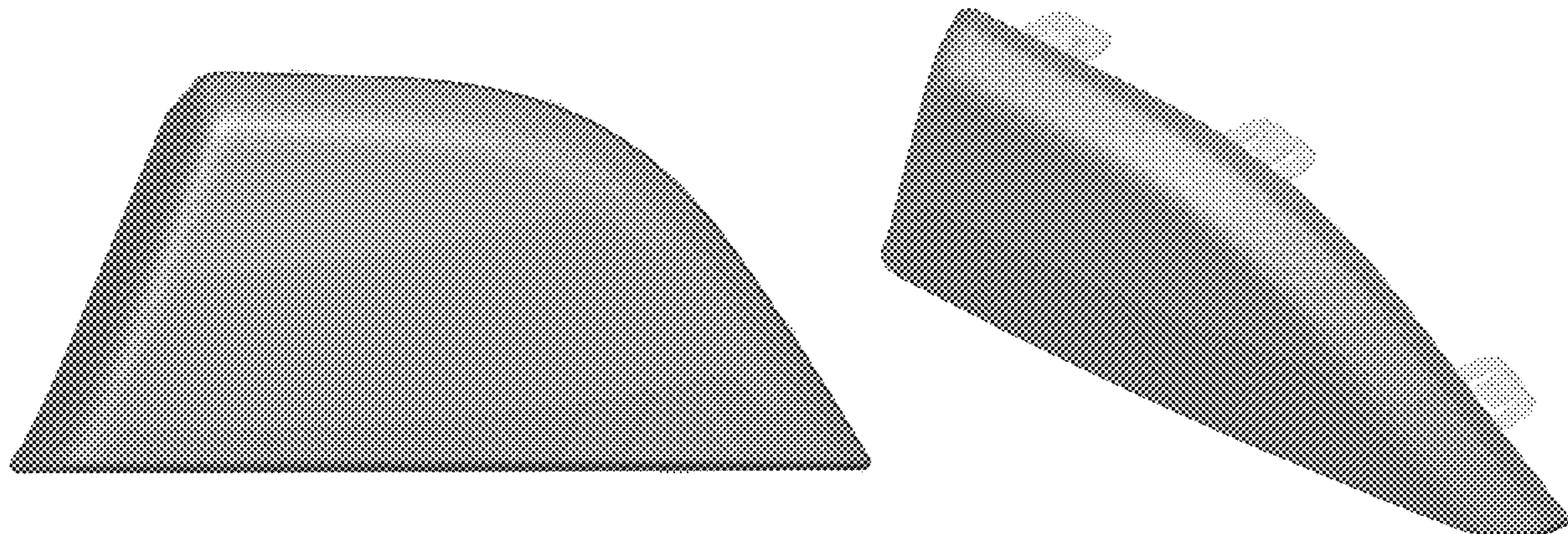
(57) **CLAIM**

The ornamental design for a vehicle front bumperette, as shown and described.

**DESCRIPTION**

FIG. 1 is a front elevational view of a vehicle front bumperette, showing our new design;  
FIG. 2 is a left side elevational view thereof;  
FIG. 3 is a right side elevational view thereof;  
FIG. 4 is a top plan view thereof;  
FIG. 5 is a bottom plan view thereof;  
FIG. 6 is a top, front and left side perspective view thereof; and,  
FIG. 7 is a bottom, front and left side perspective view thereof.  
The claimed design is indicated by the relatively dark portions in the figures. The de-emphasized and relatively light portions form no part of the claimed design.

**1 Claim, 7 Drawing Sheets**



(56)

**References Cited**

U.S. PATENT DOCUMENTS

D918,100 S \* 5/2021 Izard ..... D12/169  
D922,284 S \* 6/2021 Feng ..... D12/196

\* cited by examiner

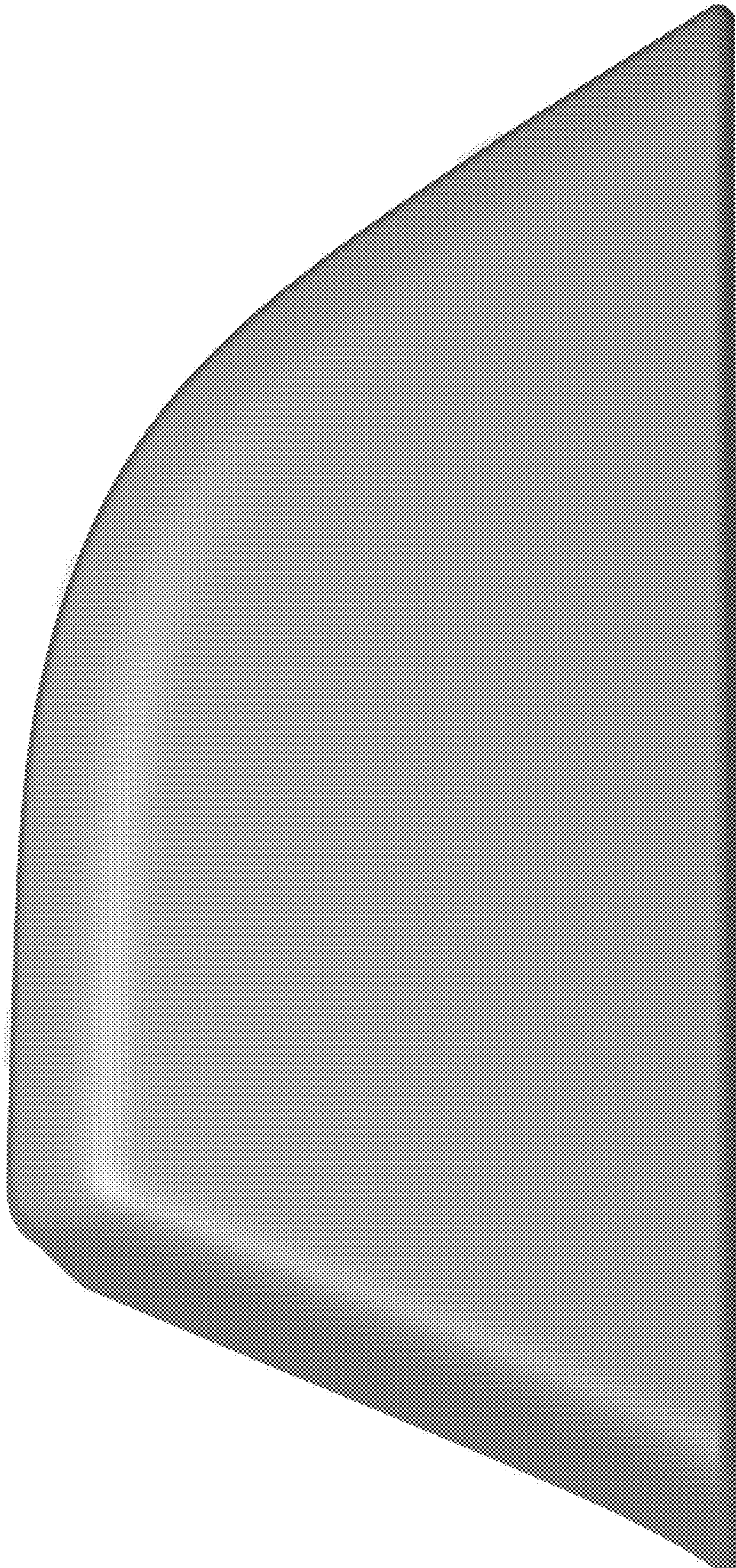


Fig. 1

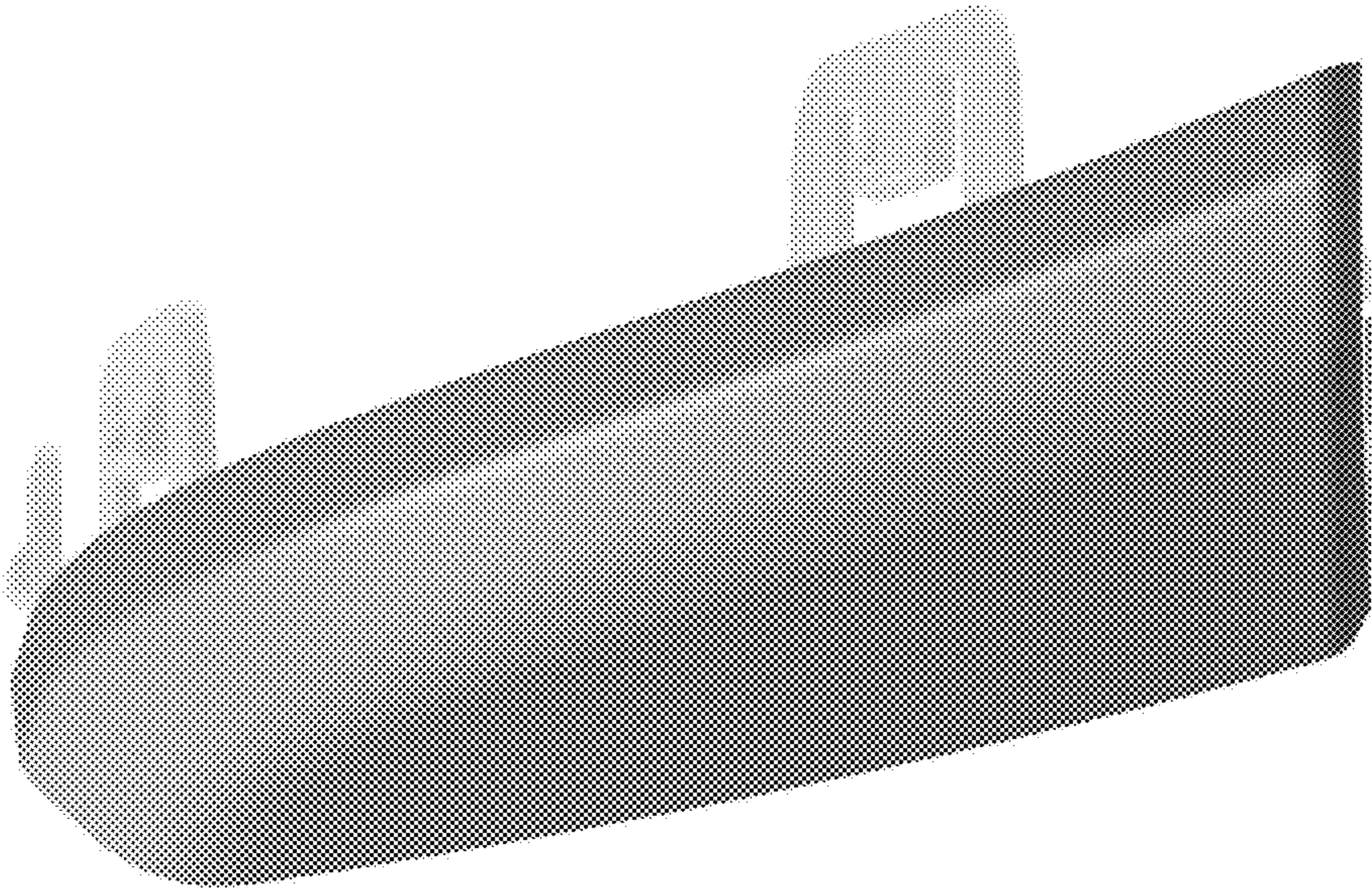


Fig. 2

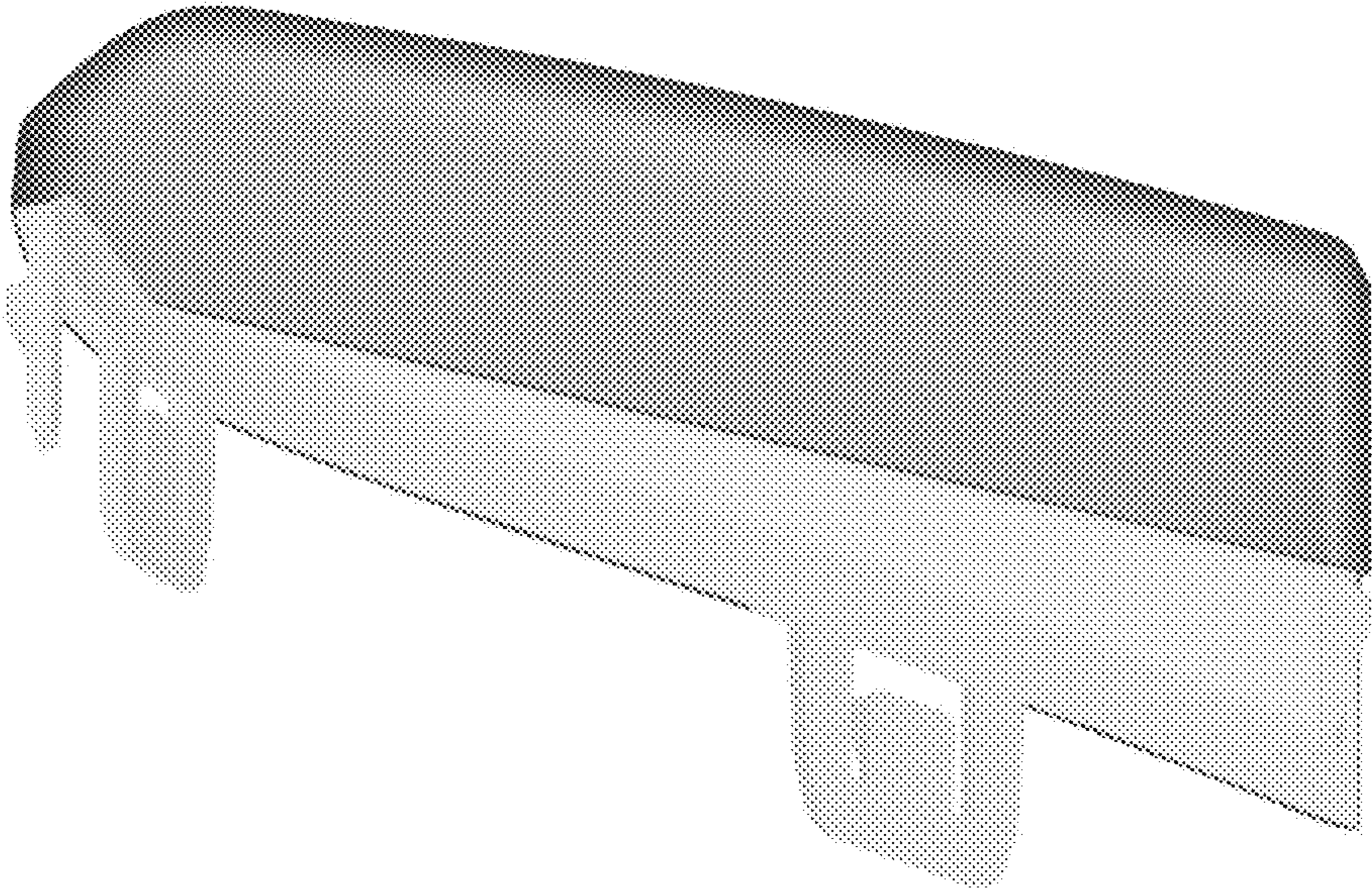


Fig. 3

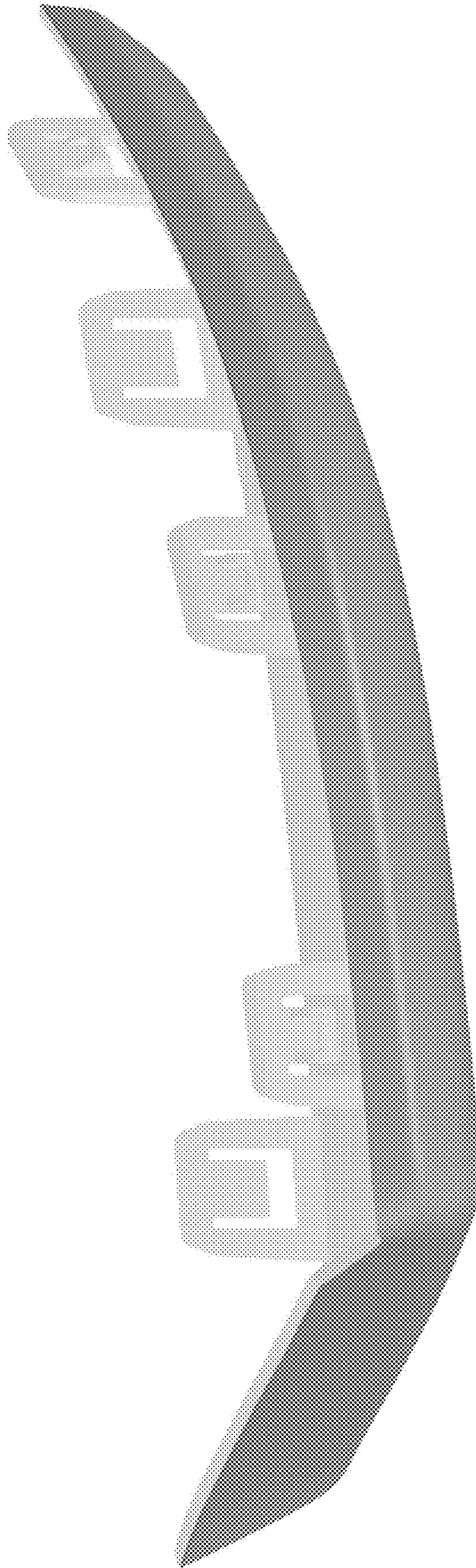


Fig.4

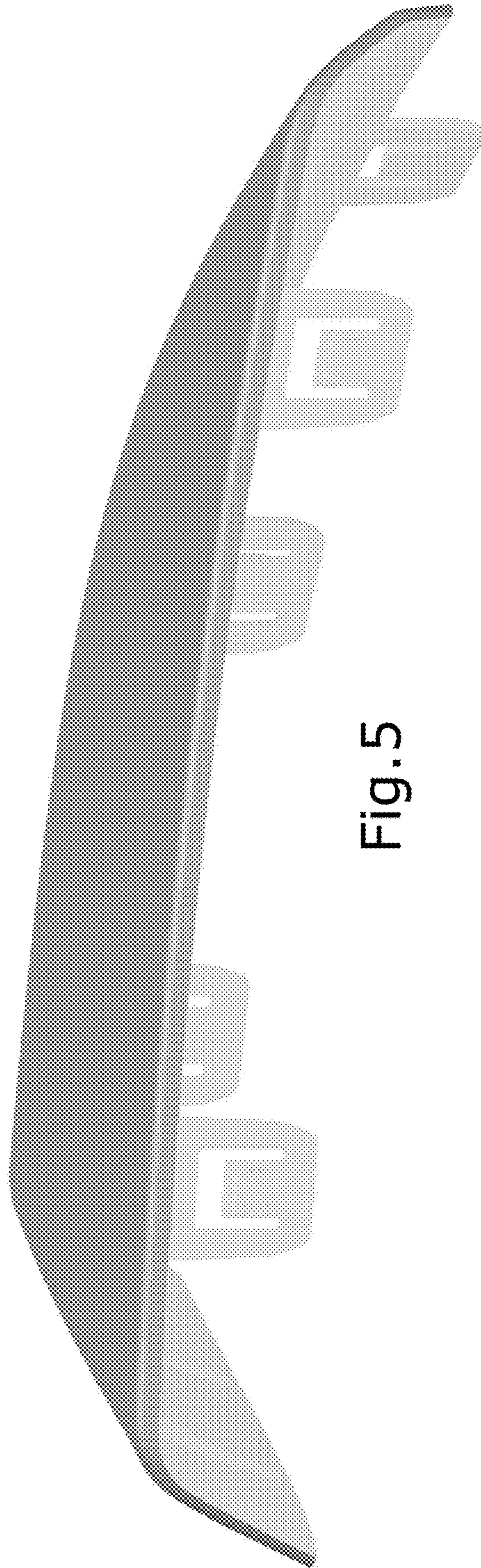


Fig. 5

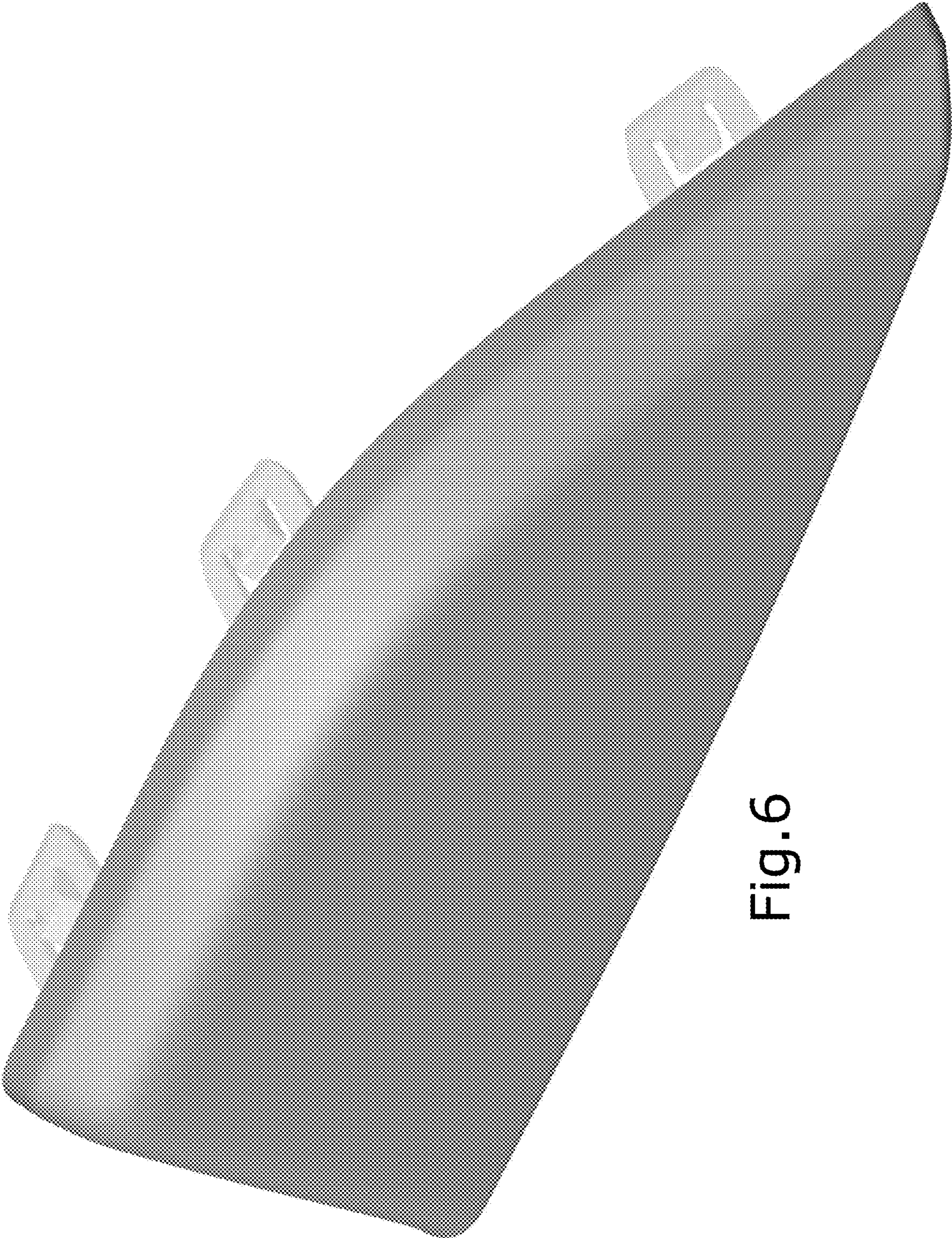


Fig.6



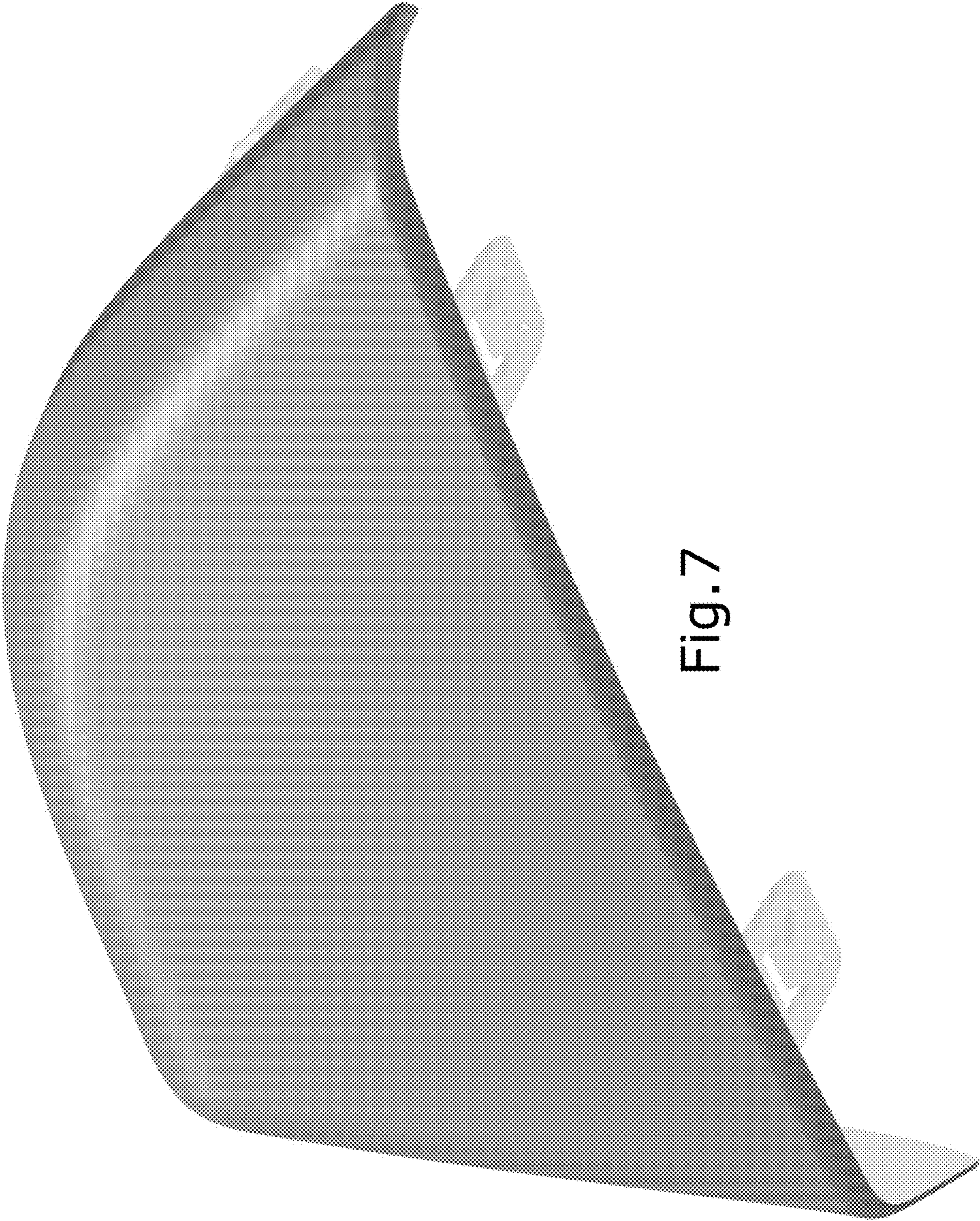


Fig. 7