

US00D937151S

(12) **United States Design Patent** (10) **Patent No.:** **US D937,151 S**  
**Wraith et al.** (45) **Date of Patent:** **\*\* Nov. 30, 2021**

(54) **VEHICLE REAR UPPER BUMPER COVER**

(71) Applicant: **Ford Global Technologies, LLC**,  
Dearborn, MI (US)

(72) Inventors: **Paul Wraith**, West Bloomfield, MI  
(US); **Martin B. Coons**, Detroit, MI  
(US); **Anthony Meyer**, Royal Oak, MI  
(US); **Young Kwon**, Cologne (DE);  
**Joseph F. Denatale, Jr.**, Royal Oak, MI  
(US)

(73) Assignee: **Ford Global Technologies, LLC**,  
Dearborn, MI (US)

(\*\*) Term: **15 Years**

(21) Appl. No.: **29/726,427**

(22) Filed: **Mar. 3, 2020**

(51) **LOC (13) Cl.** ..... **12-16**

(52) **U.S. Cl.**  
USPC ..... **D12/169**

(58) **Field of Classification Search**  
USPC .... D12/86, 88, 89, 90, 91, 92, 93, 163, 164,  
D12/167, 169, 173, 181, 184, 185, 190,  
D12/192, 196, 223, 400; D21/533, 548,  
D21/552, 561  
CPC ..... B60R 19/00; B60R 19/02; B60R 19/18;  
B60R 19/24; B60R 19/56; B60R  
2019/007; B60R 13/04; B60K 11/08;  
B62D 25/02; B62D 25/08  
See application file for complete search history.

(56) **References Cited**

U.S. PATENT DOCUMENTS

|            |   |         |         |       |         |
|------------|---|---------|---------|-------|---------|
| D542,194 S | * | 5/2007  | Golden  | ..... | D12/169 |
| D580,316 S | * | 11/2008 | Gueler  | ..... | D12/169 |
| D598,829 S | * | 8/2009  | Martin  | ..... | D12/169 |
| D600,604 S | * | 9/2009  | Lamm    | ..... | D12/169 |
| D600,605 S | * | 9/2009  | Lamm    | ..... | D12/169 |
| D644,577 S | * | 9/2011  | Messale | ..... | D12/169 |

|            |   |        |         |       |         |
|------------|---|--------|---------|-------|---------|
| D681,517 S | * | 5/2013 | Giachin | ..... | D12/169 |
| D815,997 S | * | 4/2018 | Ishii   | ..... | D12/169 |
| D819,519 S | * | 6/2018 | Whitla  | ..... | D12/169 |
| D821,940 S | * | 7/2018 | Platto  | ..... | D12/169 |
| D845,186 S | * | 4/2019 | Koo     | ..... | D12/169 |
| D845,188 S | * | 4/2019 | Pinazzo | ..... | D12/169 |
| D848,911 S | * | 5/2019 | De Leon | ..... | D12/169 |
| D854,981 S | * | 7/2019 | Smock   | ..... | D12/169 |

(Continued)

OTHER PUBLICATIONS

2021 Ford Bronco, Published date unavailable [online], [retrieved on Jul. 30, 2021], Retrieved from the Internet: <https://shop.ford.com/config/bronco/config/exterior/Config%5B%7CFord%7CBronco%7C2021%7C1%7C1.%7C352A.E5D..YZ...RET.%5D> (Year: 2021).\*

(Continued)

*Primary Examiner* — Christian P. McLean

*Assistant Examiner* — Adam C Mager

(74) *Attorney, Agent, or Firm* — Michael Spenner

(57) **CLAIM**

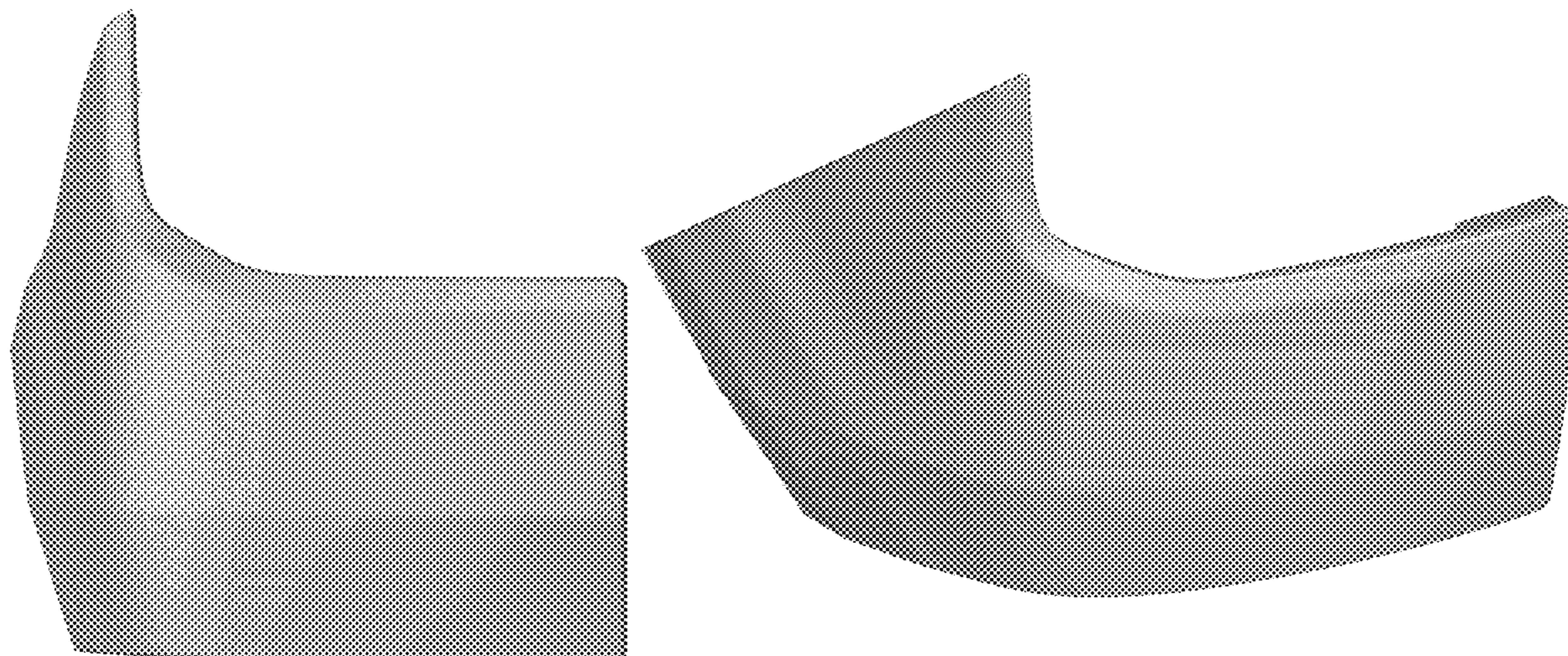
The ornamental design for a vehicle rear upper bumper cover, as shown and described.

**DESCRIPTION**

FIG. 1 is a front elevational view of a vehicle rear upper bumper cover, showing our new design;  
FIG. 2 is a left side elevational view thereof;  
FIG. 3 is a right side elevational view thereof;  
FIG. 4 is a top plan view thereof;  
FIG. 5 is a bottom plan view thereof;  
FIG. 6 is a top, front and left side perspective view thereof;  
and,  
FIG. 7 is a bottom, front and left side perspective view thereof.

The claimed design is indicated by the relatively dark portions in the figures. The de-emphasized and relatively light portions form no part of the claimed design.

**1 Claim, 7 Drawing Sheets**



(56)

**References Cited**

U.S. PATENT DOCUMENTS

D887,323 S \* 6/2020 Zipfel ..... D12/169  
D902,800 S \* 11/2020 Gay ..... D12/169  
D904,943 S \* 12/2020 Wraith ..... D12/169

OTHER PUBLICATIONS

Unknown, My observations from seeing see the actual 4-door Bronco raw, unpainted sheet metal shell, Feb. 15, 2020 <https://www.bronco6g.com/forum/threads/my-observations-from-seeing-see-the-actual-4-door-bronco-raw-unpainted-sheet-metal-shell.1048/>.

Unknown, Here's the 2021 Bronco's Tail Light Shape Illuminated, Feb. 19, 2020 <https://www.bronco6g.com/forum/threads/heres-the-2021-broncos-tail-light-shape-illuminated.1071/>.

Unknown, 2021 Bronco Interior Spied Undisguised!!, Feb. 25, 2020 <https://www.bronco6g.com/forum/threads/2021-bronco-interior-spied-undisguised.1096/>.

\* cited by examiner

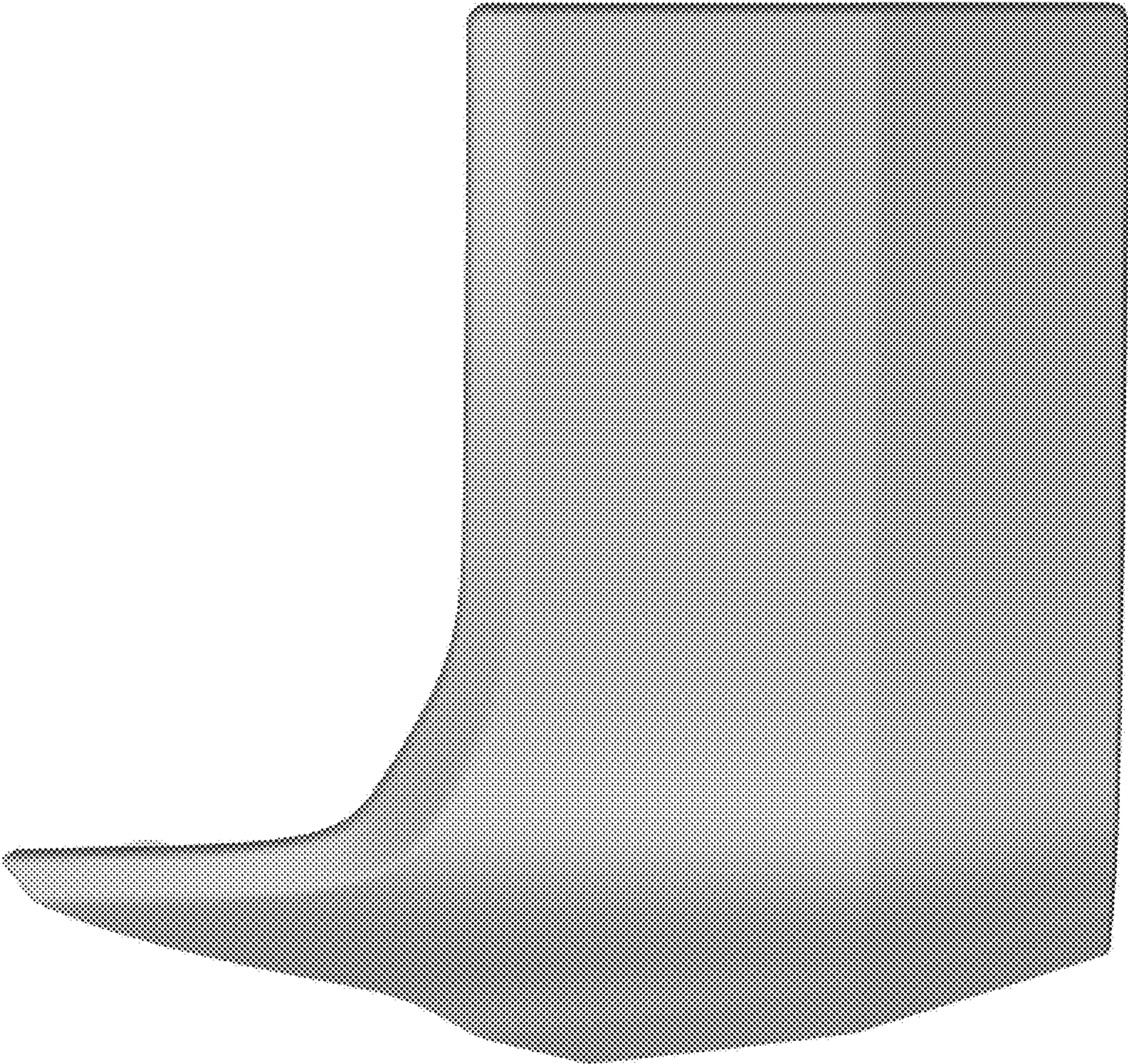


Fig.1

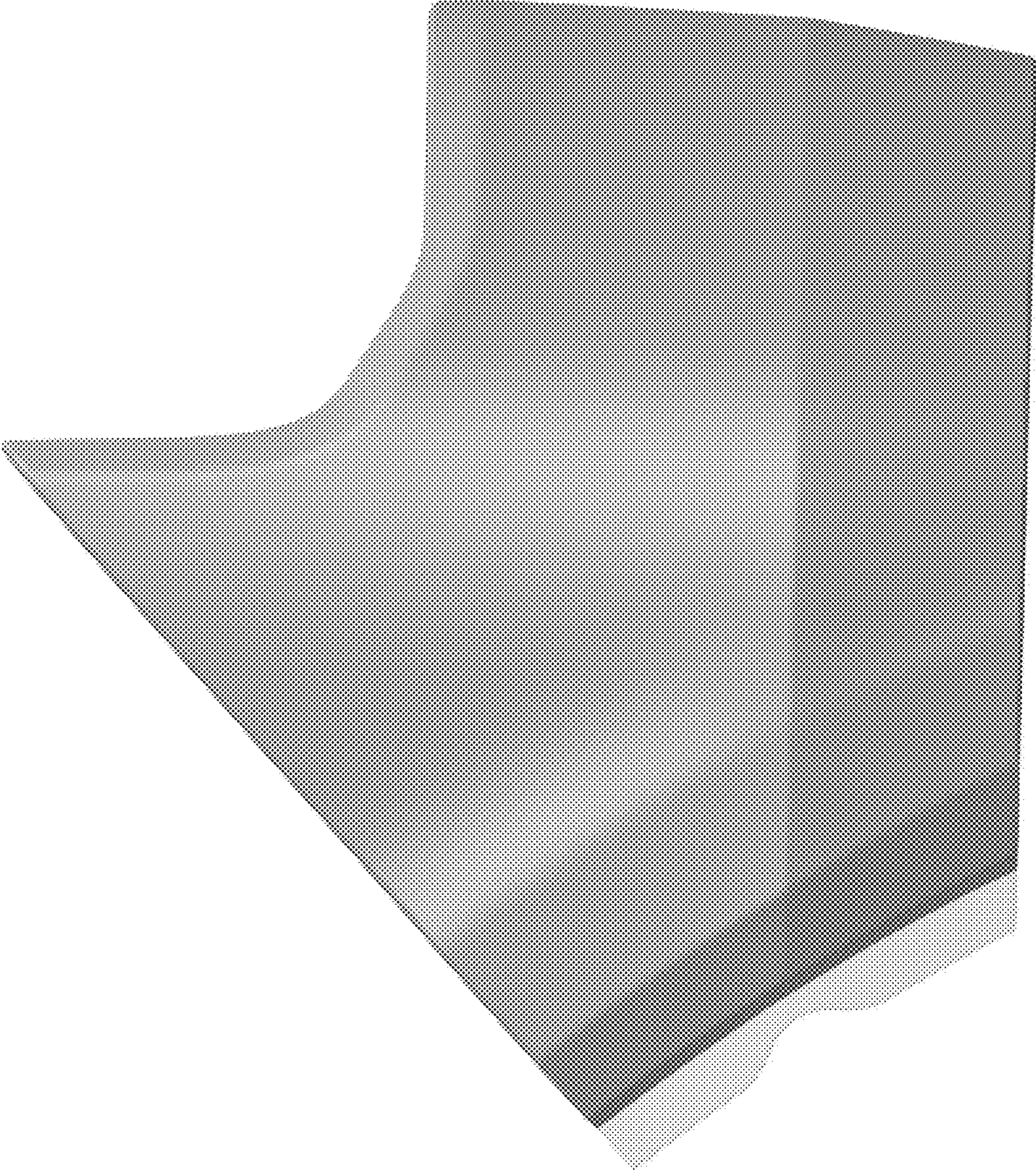


Fig.2

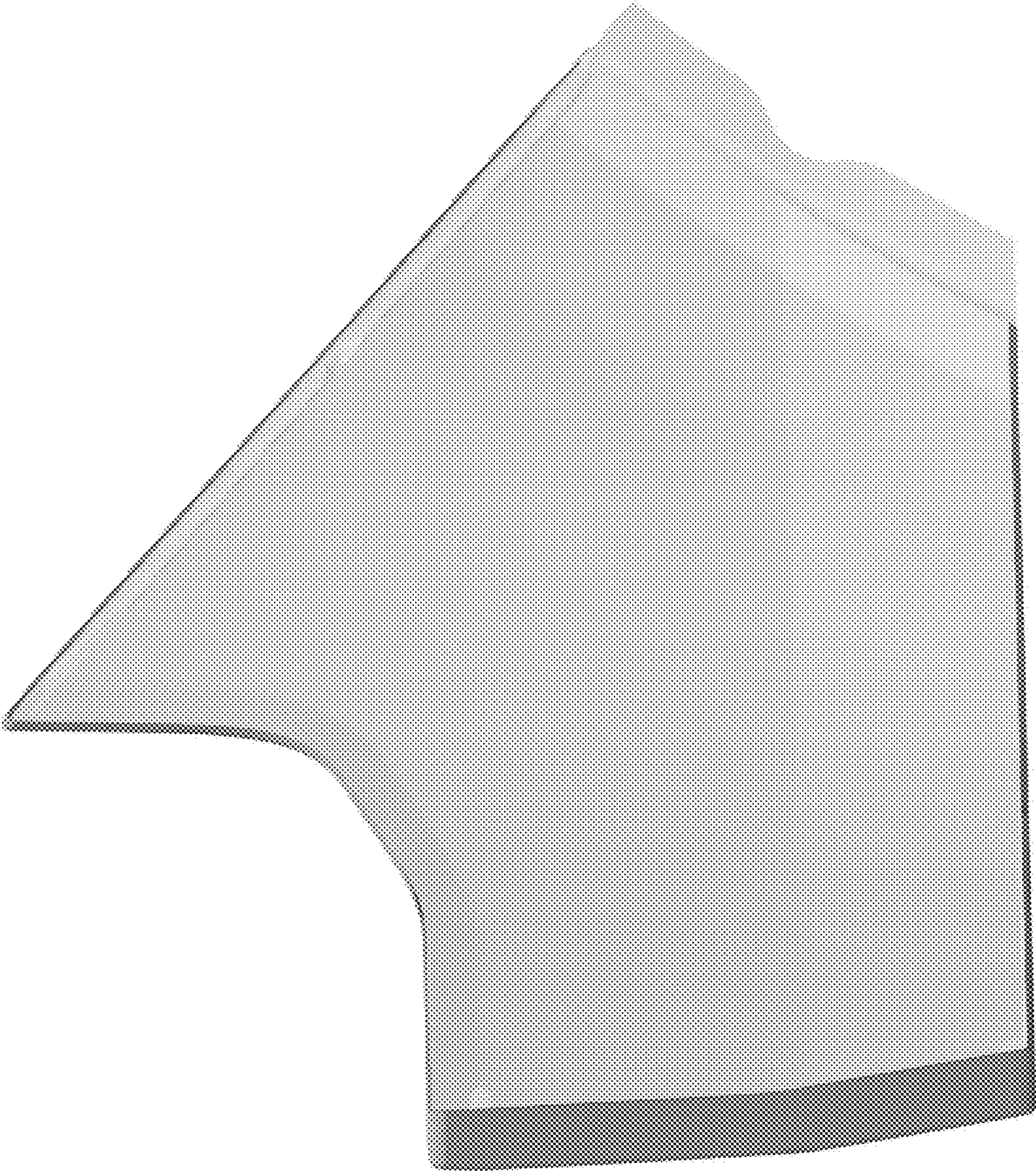


Fig. 3



Fig.4

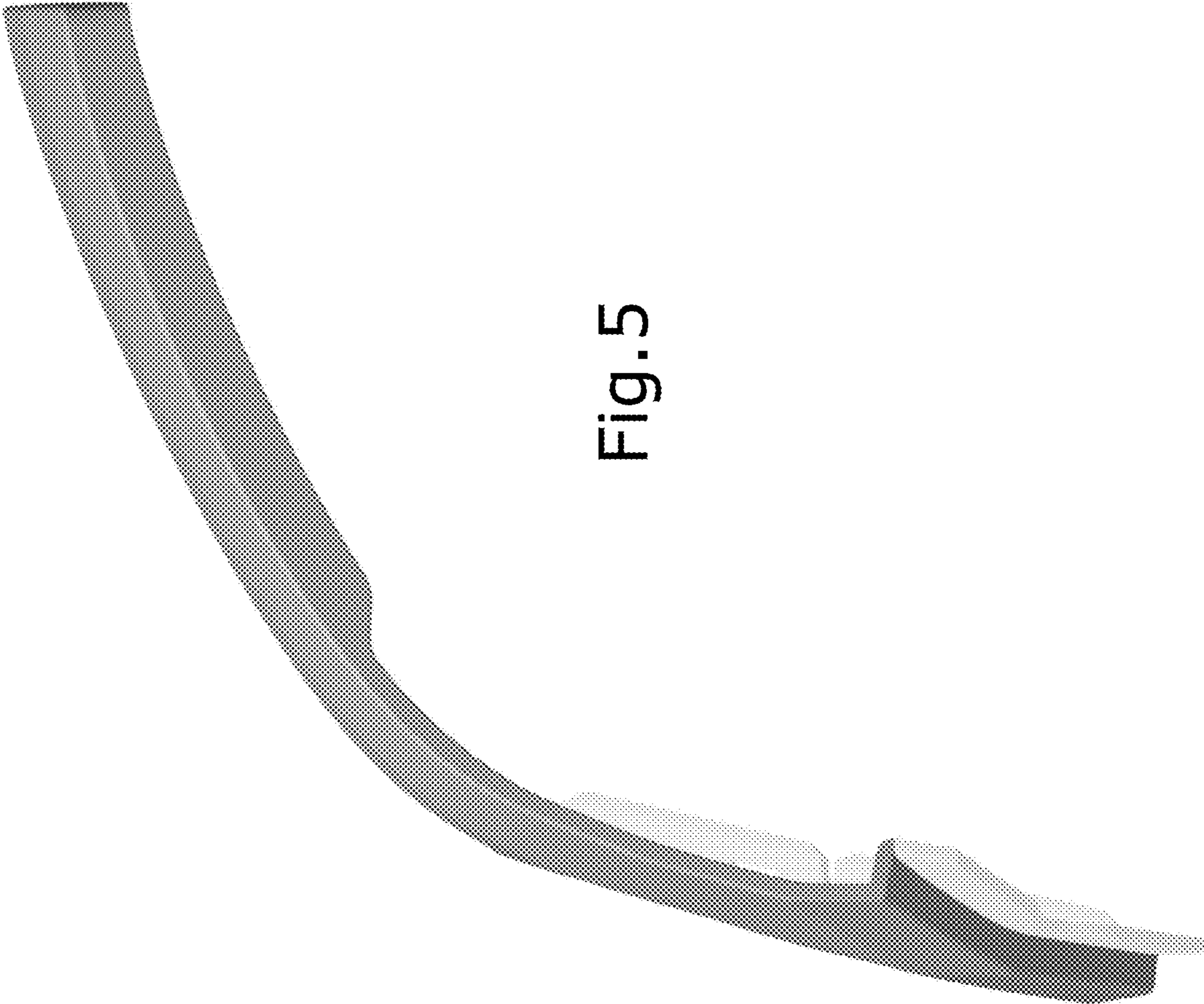


Fig. 5

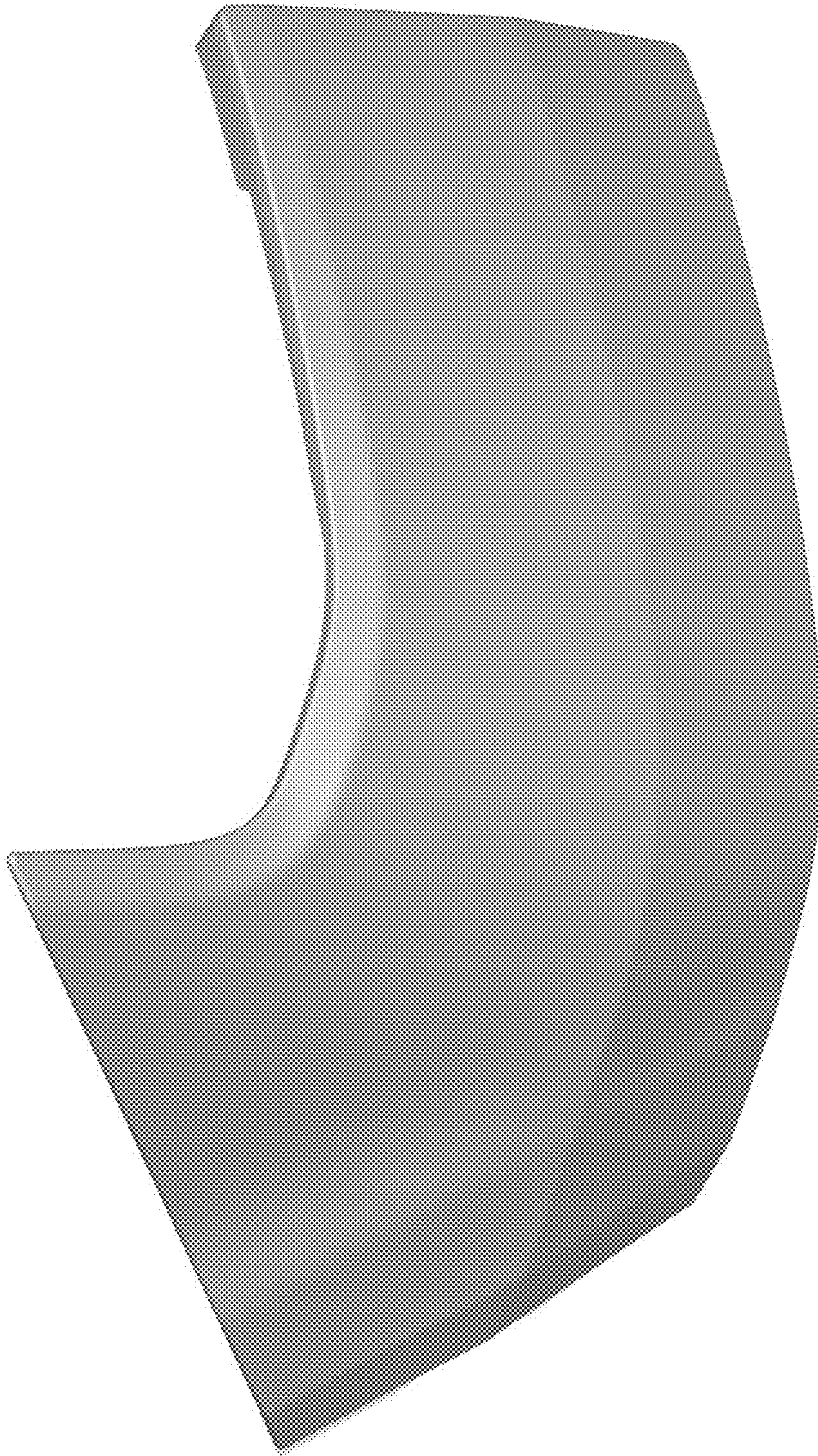


Fig.6



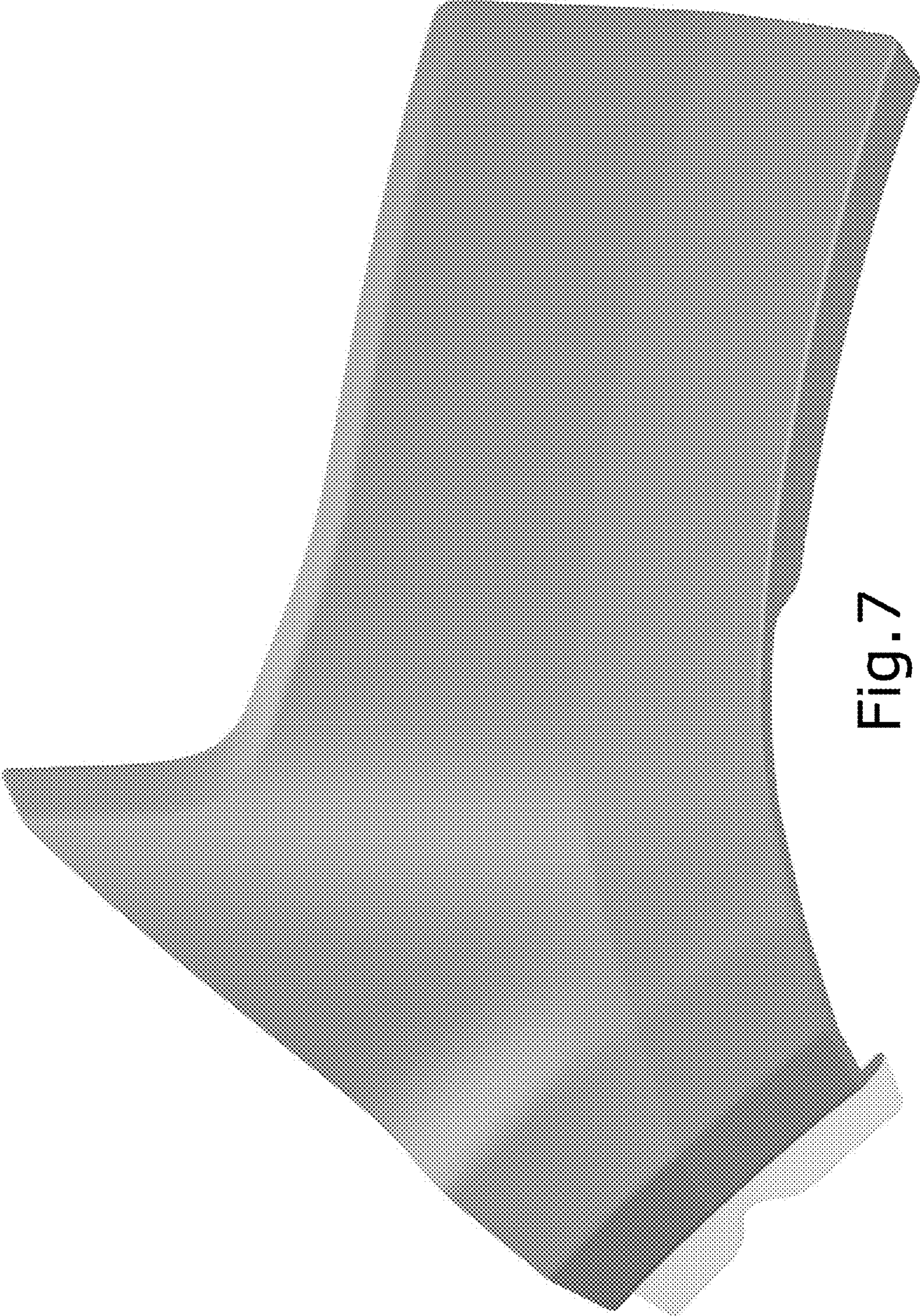


Fig. 7