



US00D937147S

(12) **United States Design Patent** (10) **Patent No.:** **US D937,147 S**
Kaoud et al. (45) **Date of Patent:** **** Nov. 30, 2021**

(54) **VEHICLE REAR BUMPER COVER STEP PAD**
(71) Applicant: **Ford Global Technologies, LLC**, Dearborn, MI (US)
(72) Inventors: **Ehab N. Kaoud**, Livonia, MI (US); **William K. Moore**, West Bloomfield, MI (US); **David Root**, Wyandotte, MI (US)
(73) Assignee: **Ford Global Technologies, LLC**, Dearborn, MI (US)
(**) Term: **15 Years**
(21) Appl. No.: **29/723,984**
(22) Filed: **Feb. 12, 2020**
(51) **LOC (13) Cl.** **12-16**
(52) **U.S. Cl.**
USPC **D12/169**
(58) **Field of Classification Search**
USPC D12/86, 88, 89, 90, 91, 92, 93, 96, 163, D12/164, 167, 169, 181, 184, 185, 190, D12/192, 196, 203, 400; D21/533, 548, D21/552, 561
CPC B60R 19/00; B60R 19/02; B60R 19/16; B60R 19/18; B60R 19/24; B60R 19/56; B60R 2019/007; B60R 13/04; B62D 25/02; B62D 25/08
See application file for complete search history.

(56) **References Cited**
U.S. PATENT DOCUMENTS
D212,939 S * 12/1968 Nunn D12/169
3,578,358 A * 5/1971 Reynolds B60D 1/01 280/500
D223,752 S * 6/1972 Nunn D12/169
3,731,860 A * 5/1973 Davis B62D 43/10 224/42.23
D238,772 S * 2/1976 Cline D12/169

4,266,817 A * 5/1981 Mason B60R 19/48 280/164.1
D259,556 S * 6/1981 Norris D12/169
D259,557 S * 6/1981 Norris D12/169
D280,497 S * 9/1985 Sullivan D12/169
D297,724 S * 9/1988 Helber D12/169
D316,070 S * 4/1991 Riss D12/169
RE33,681 E * 9/1991 Bundy B60D 1/56 293/117

(Continued)

OTHER PUBLICATIONS

2018-2019 F150, Published Jan. 3, 2019 [online], [retrieved on Aug. 4, 2021], Retrieved from the Internet: <https://www.youtube.com/watch?v=hF0bt37xTqk> (Year: 2019).*

(Continued)

Primary Examiner — Christian P. McLean
Assistant Examiner — Adam C Mager
(74) *Attorney, Agent, or Firm* — Michael Spenner

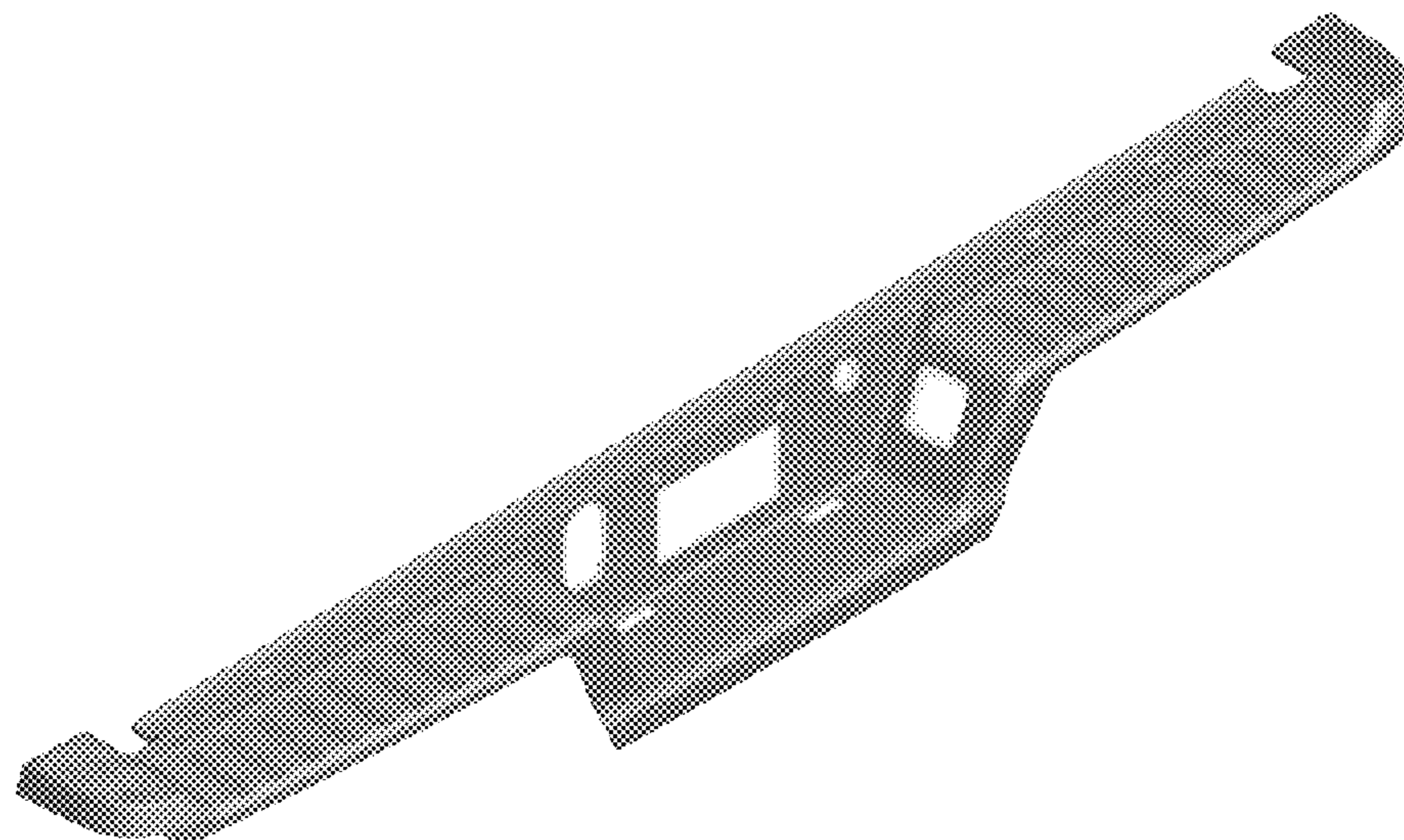
(57) **CLAIM**

The ornamental design for a vehicle rear bumper cover step pad, as shown and described.

DESCRIPTION

FIG. 1 is a front elevational view of a vehicle rear bumper cover step pad, showing our new design; FIG. 2 is a left side elevational view thereof; FIG. 3 is a right side elevational view thereof; FIG. 4 is a top plan view thereof; FIG. 5 is a bottom plan view thereof; FIG. 6 is a top, front and left side perspective view thereof; and, FIG. 7 is a bottom, front and left side perspective view thereof.
The claimed design is indicated by the relatively dark portions in the figures. The de-emphasized and relatively light portions form no part of the claimed design.

1 Claim, 7 Drawing Sheets



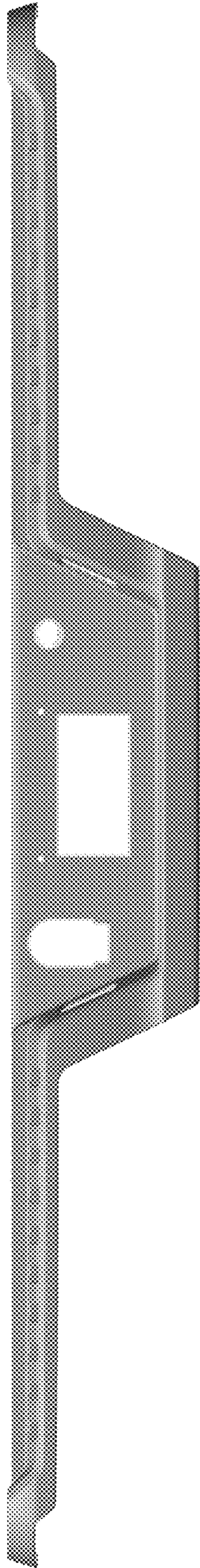


Fig.1

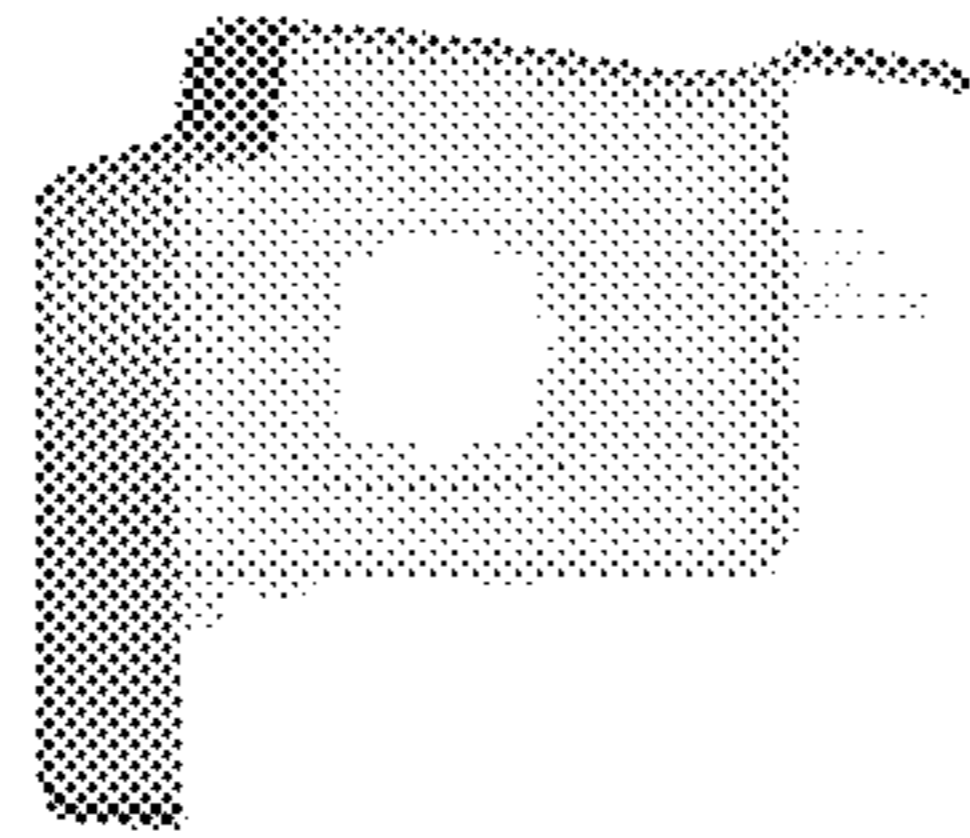


Fig. 2

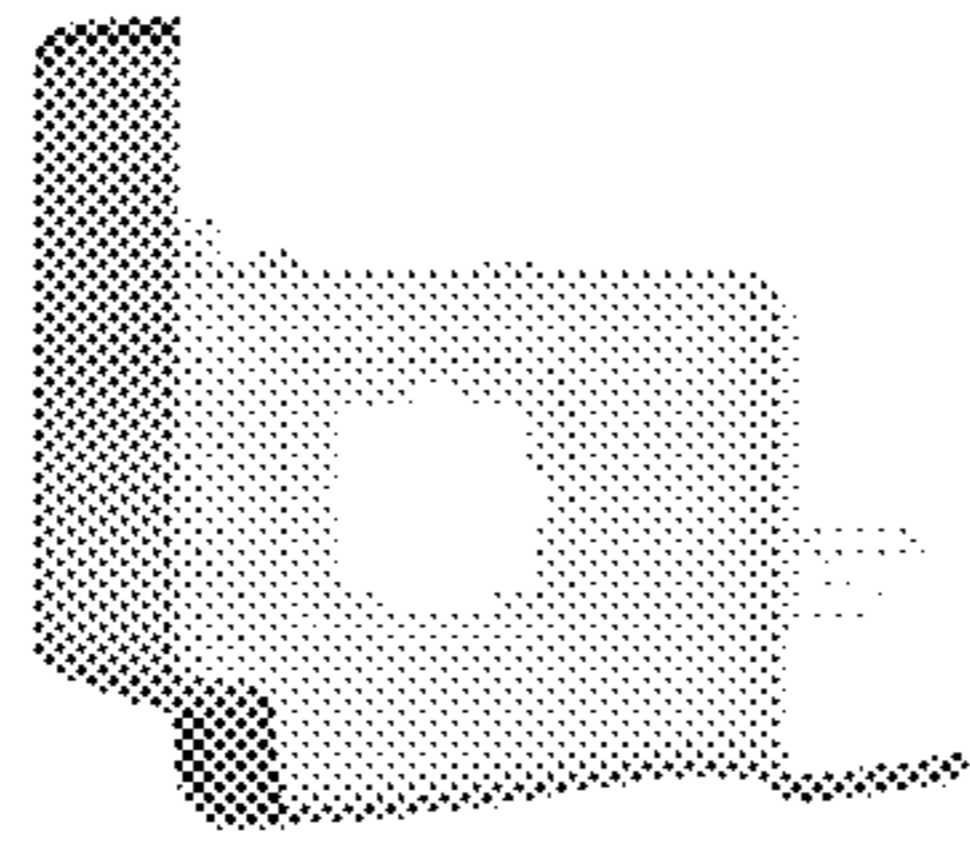


Fig. 3

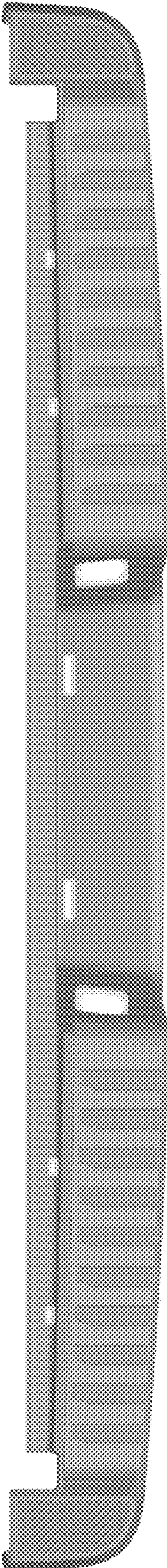


Fig.4

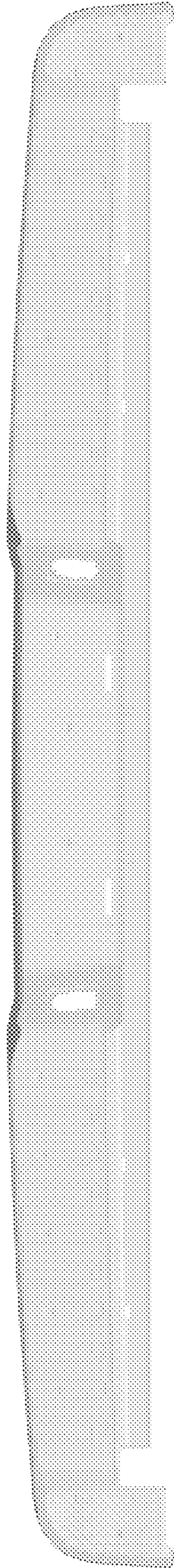


Fig. 5

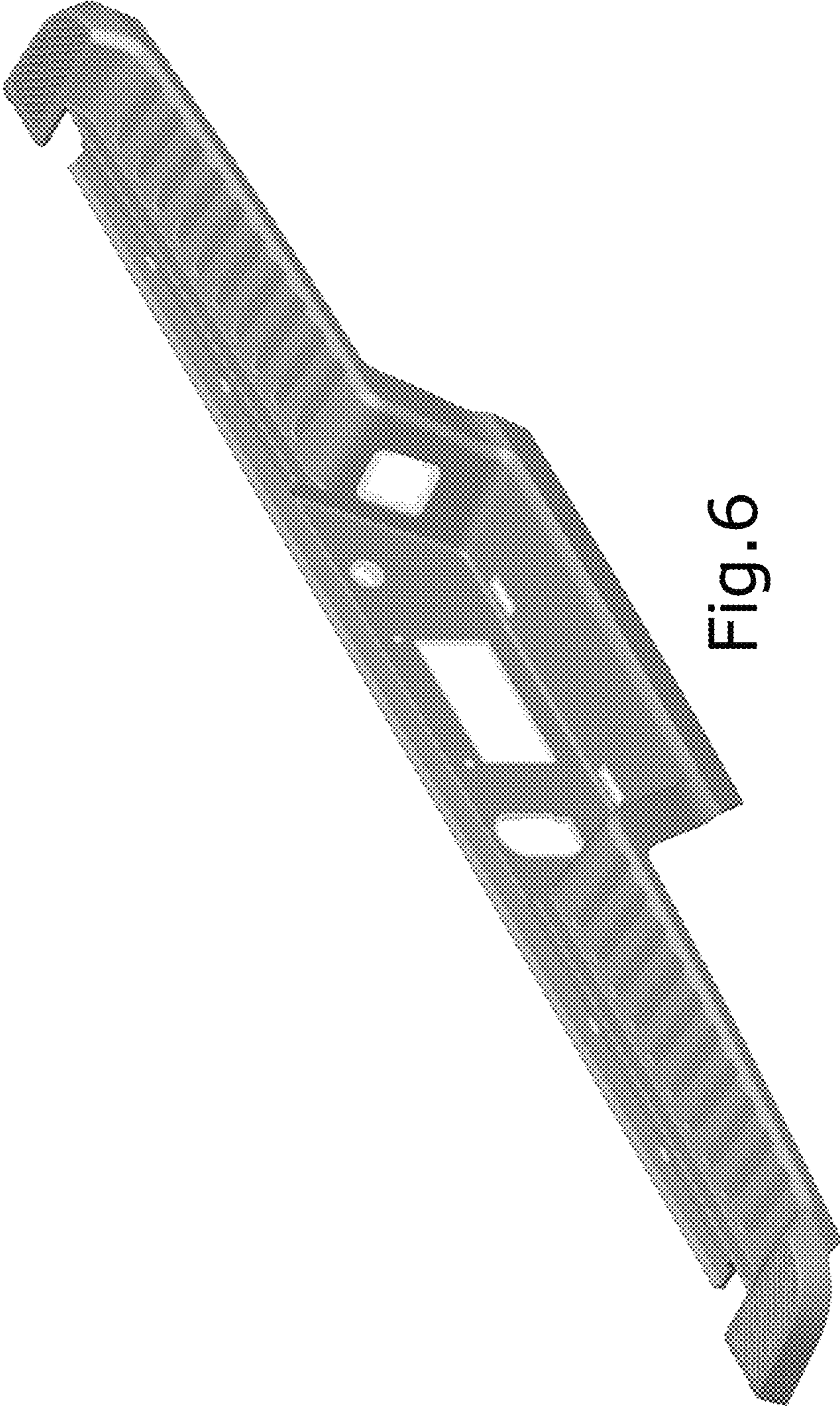


Fig.6

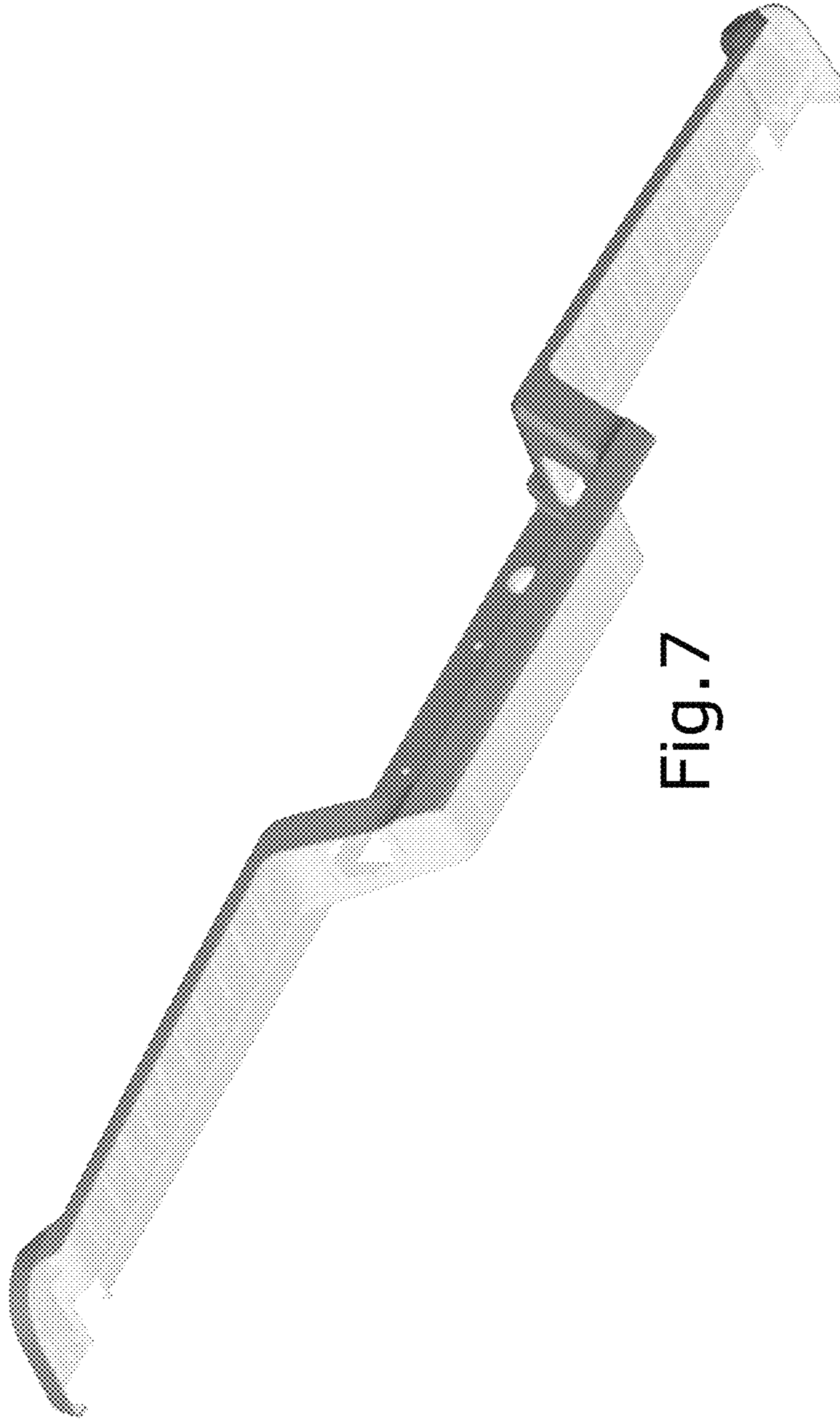


Fig. 7