



US00D937137S

(12) **United States Design Patent** (10) **Patent No.:** **US D937,137 S**  
**Keller** (45) **Date of Patent:** **\*\* Nov. 30, 2021**

(54) **SWITCH**

(71) Applicant: **motogadget GmbH**, Berlin (DE)  
(72) Inventor: **Garrit Keller**, Berlin (DE)  
(73) Assignee: **MOTOGADGET GMBH**, Berlin (DE)  
(\*\*) Term: **15 Years**  
(21) Appl. No.: **29/711,133**  
(22) Filed: **Oct. 29, 2019**

(30) **Foreign Application Priority Data**

Apr. 29, 2019 (EM) ..... 006 405 114  
(51) **LOC (13) Cl.** ..... **12-11**  
(52) **U.S. Cl.**  
USPC ..... **D12/114; D13/158**  
(58) **Field of Classification Search**  
USPC ..... D13/158, 159, 162, 164, 165, 169, 170,  
D13/171, 173, 174, 177, 184, 199, 125,  
D13/160, 123, 176, 124, 137.2, 137.1,  
D13/133, 134, 139.1, 139.3, 139.4, 139.6,  
D13/152, 154, 137.3, 168; D12/114, 174,  
D12/178, 179, 126  
CPC ..... H01H 2009/066; H01H 2009/068; H01H  
9/02; H01H 9/04; H01H 9/06; H01H  
9/16; H01H 9/18; B62K 11/14; B62K  
23/00; B62K 23/02  
See application file for complete search history.

(56) **References Cited**

**U.S. PATENT DOCUMENTS**

D391,528 S \* 3/1998 Pingel ..... D12/114  
D488,413 S \* 4/2004 Arbuckle ..... D12/174  
D750,521 S \* 3/2016 Poesel ..... D10/104.1  
D765,549 S \* 9/2016 Khodapanah ..... D12/114  
D784,859 S \* 4/2017 Matsumura ..... D12/114  
D784,860 S \* 4/2017 Matsumura ..... D12/114  
D853,261 S \* 7/2019 Elangovan ..... G06F 1/163  
D10/104.1

(Continued)

**OTHER PUBLICATIONS**

Motogadget mo.Switch Basic 2 Button Billet Hand Control. Date: Aug. 29, 2015. [online]. [Site visited Feb. 3, 2021], Available from Internet URL: <https://www.amazon.com/dp/B085FR8488/> (Year: 2015).\*

(Continued)

*Primary Examiner* — Susan Bennett Hattan  
*Assistant Examiner* — Landon Thomas Cassell  
(74) *Attorney, Agent, or Firm* — Ware, Fressola, Maguire & Barber LLP

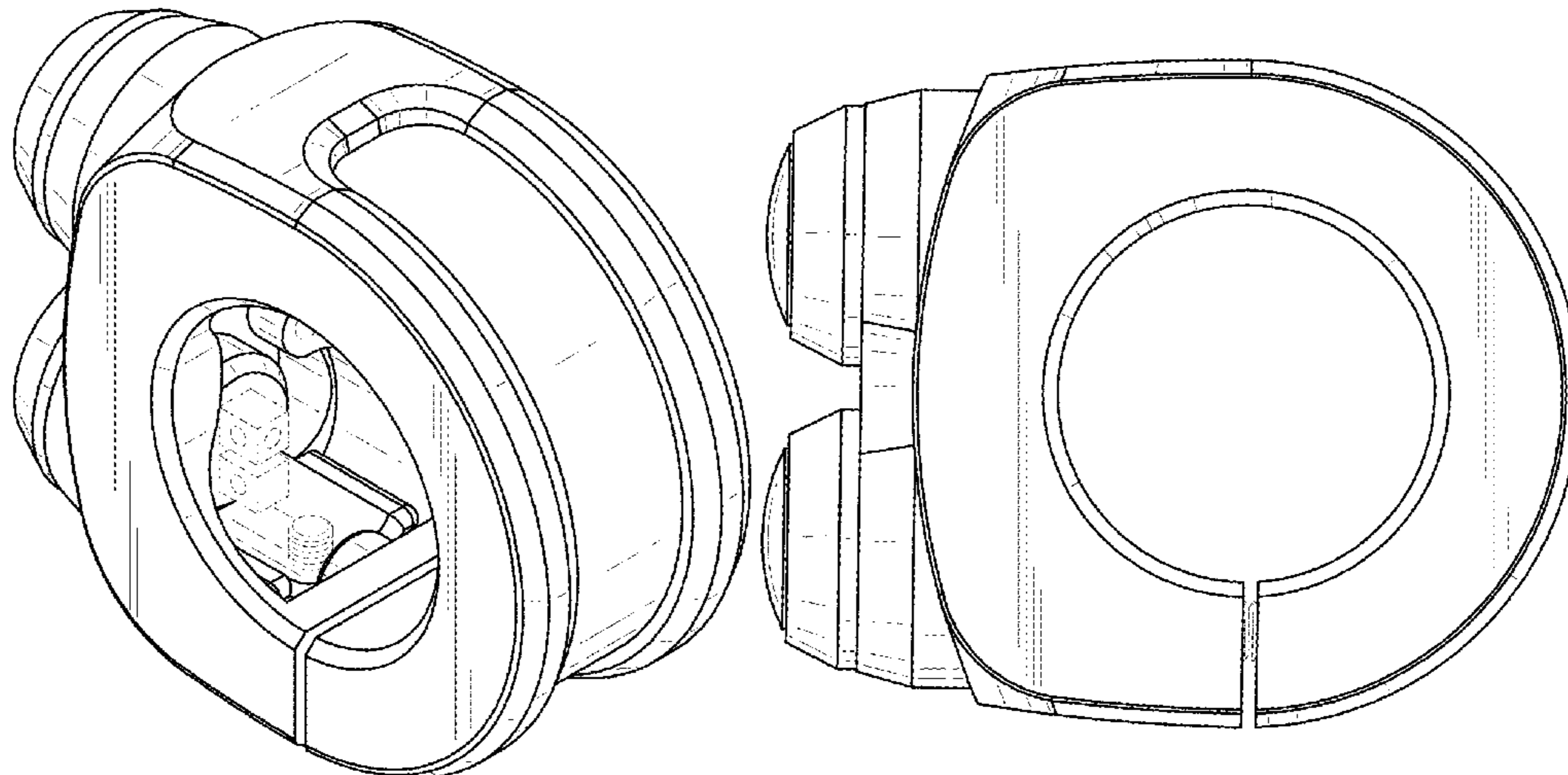
(57) **CLAIM**

I claim the ornamental design for a switch, as shown and described.

**DESCRIPTION**

FIG. 1 shows a front perspective view of a switch, showing my new design;  
FIG. 2 shows a back perspective view of the switch shown in FIG. 1;  
FIG. 3 shows a back elevation view of the switch shown in FIG. 1;  
FIG. 4 shows a front elevation view of the switch shown in FIG. 1;  
FIG. 5 shows a right side elevation view of the switch shown in FIG. 3;  
FIG. 6 shows a left side elevation view of the switch shown in FIG. 3;  
FIG. 7 shows a top plan view of the switch shown in FIG. 3; and,  
FIG. 8 shows a bottom plan view of the switch shown in FIG. 3.  
The broken lines in the drawing depict environmental subject matter only and form no part of the claimed design.

**1 Claim, 4 Drawing Sheets**



(56)

**References Cited**

U.S. PATENT DOCUMENTS

D856,855 S \* 8/2019 Steele ..... D12/114  
 D869,318 S \* 12/2019 Bereshchanskiy ..... D10/104.1  
 D896,111 S \* 9/2020 Gong ..... D10/70  
 D907,590 S \* 1/2021 Bould ..... D13/168

OTHER PUBLICATIONS

Qii lu 22mm Motorcycle Handlebar Momentary Switch. Date: Aug. 15, 2018. [online]. [Site visited Feb. 3, 2021], Available from Internet URL: <https://www.amazon.com/dp/B07GGP827T/> (Year: 2018).\*

Switches. (Design—©Questel) orbit.com. [Online PDF compilation of references selected by examiner] 32 pgs. Dec. 9, 2015-Nov. 24, 2017 [Retrieved Feb. 4, 2021] <https://www.orbit.com/export/UCZAH96B/pdf4/0afee788-26d0-436f-97b1-3a4ff9f48783-192350.pdf> (Year: 2021).\*

Armatur Mo Switch Mini, printed on Jan. 23, 2020.

CNC Schalter Cafe Racer Custom 22 MM, printed on Jan. 23, 2020.

Cockpit Schalter, printed on Jan. 23, 2020.

Daytona Lenker Schalter CNC, printed on Jan. 23, 2020.

Highsider CNC Schalter, printed on Jan. 23, 2020.

Highsider CNC Taster, printed on Jan. 23, 2020.

Motorrad Tastschalter Alu 22 MM 3 TASTEN, printed on Jan. 23, 2020.

Motorrad-Lenker-Schalter-Steuerung Mit Kabelbaum Fur Harley Davidson, printed Jan. 23, 2020.

Triple Switch 22 MM, printed on Jan. 23, 2020.

Universal Motorrad Kombischalter, printed on Jan. 23, 2020.

Universal Schalter I, printed on Jan. 23, 2020.

Universalschalter II, printed on Jan. 23, 2020.

Motogadget, “mo.switch”; 2008; <https://motogadget.com/shop/en/m-switch.html>.

\* cited by examiner

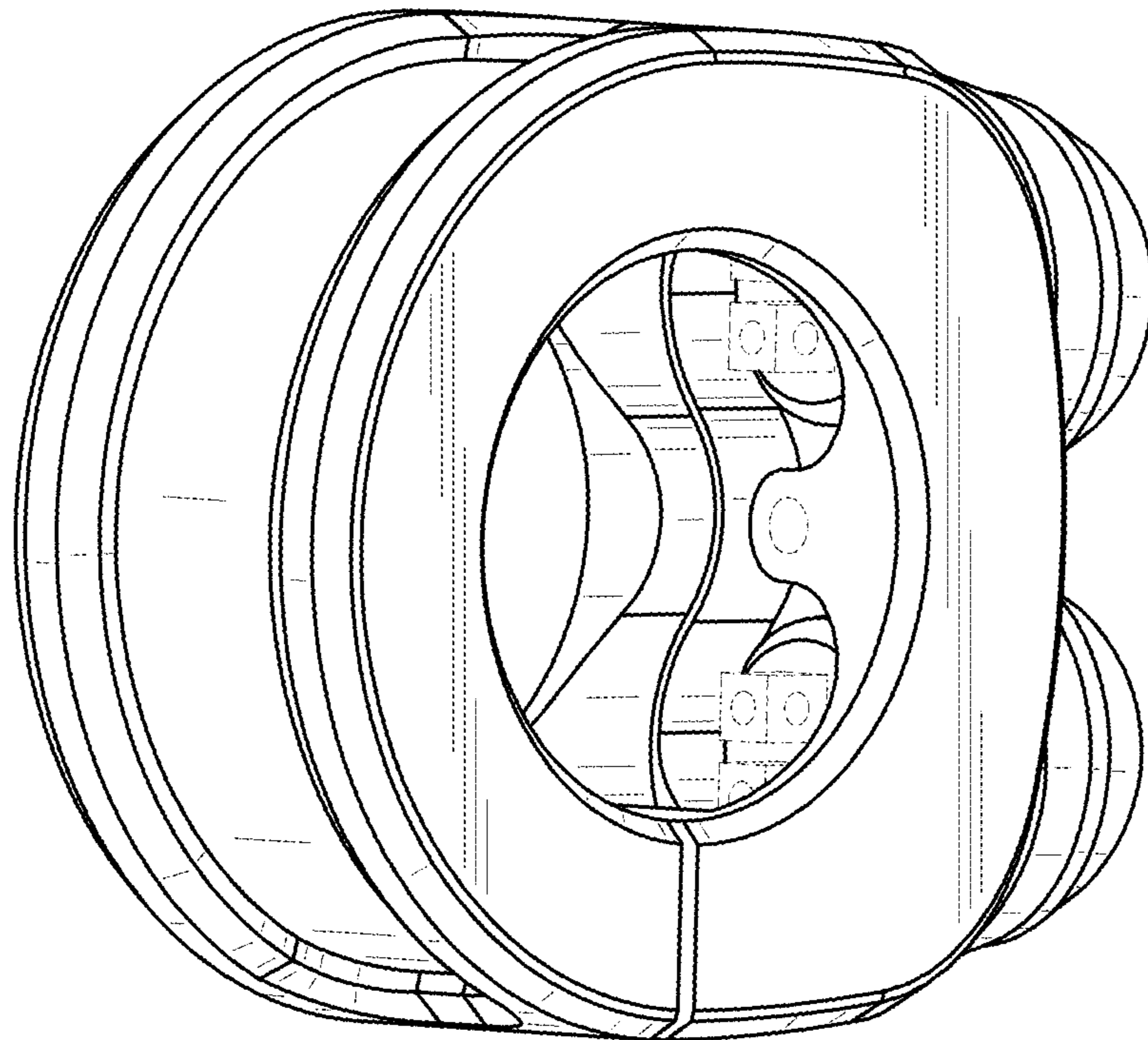


FIG. 1

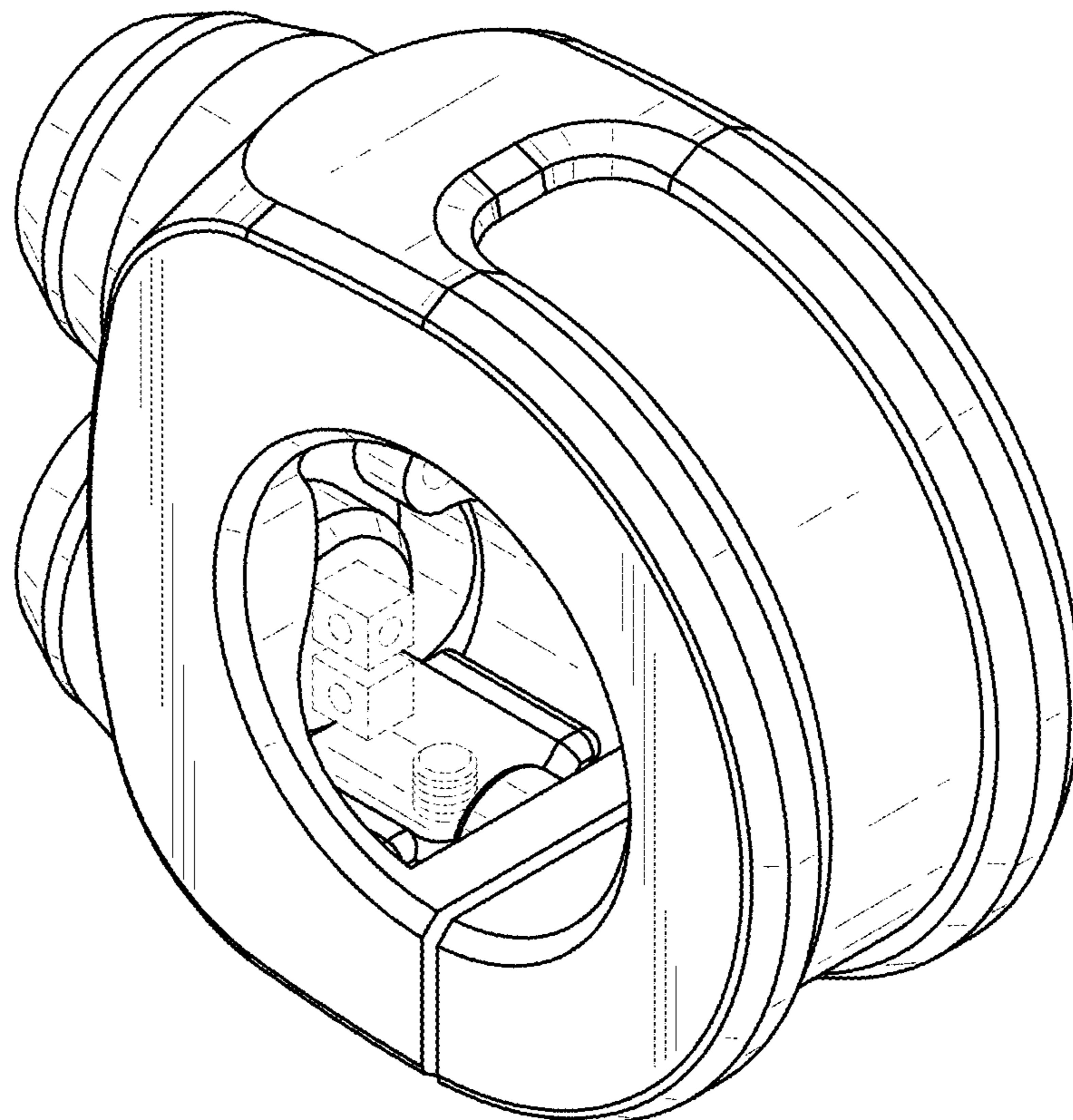
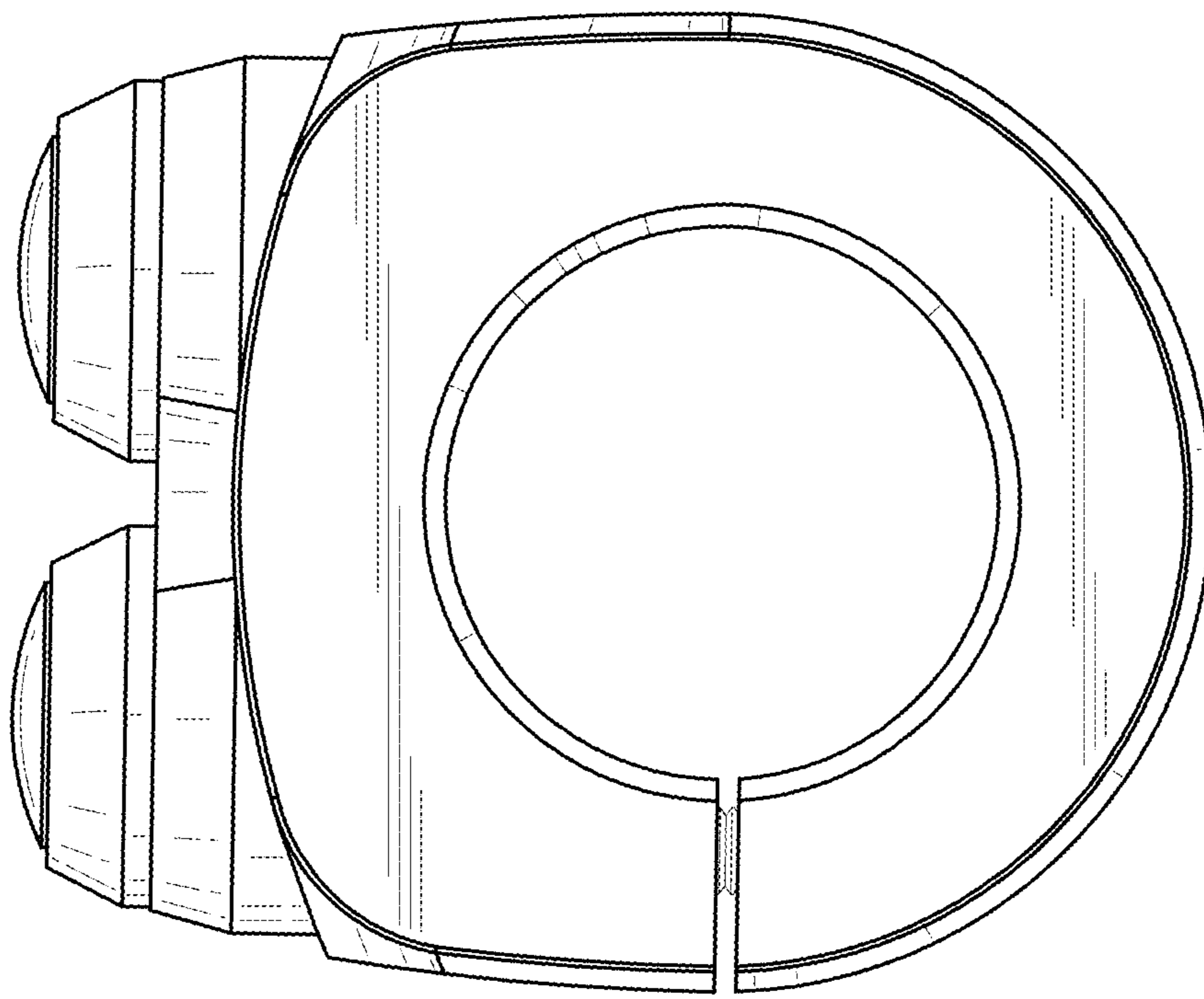
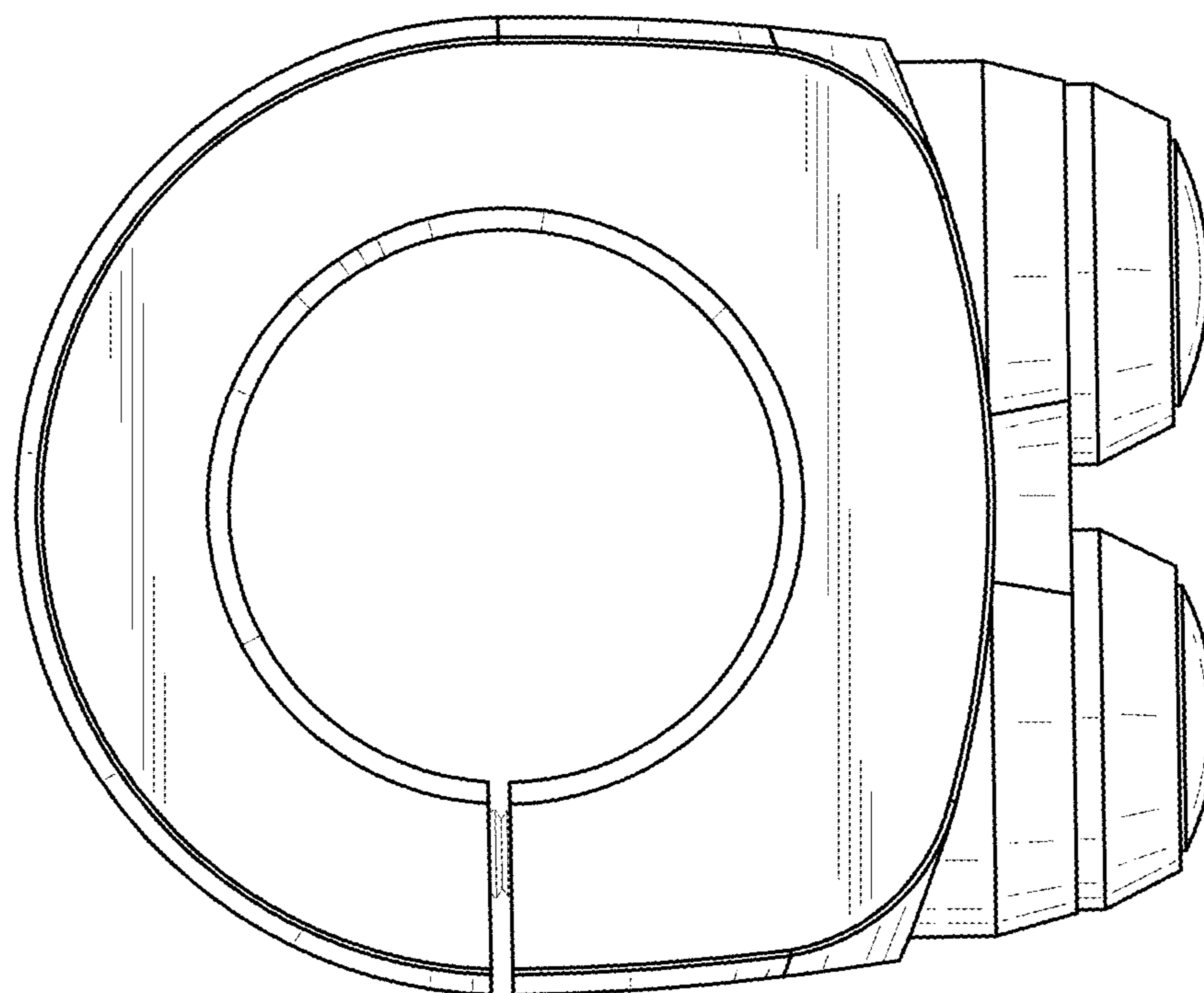


FIG. 2

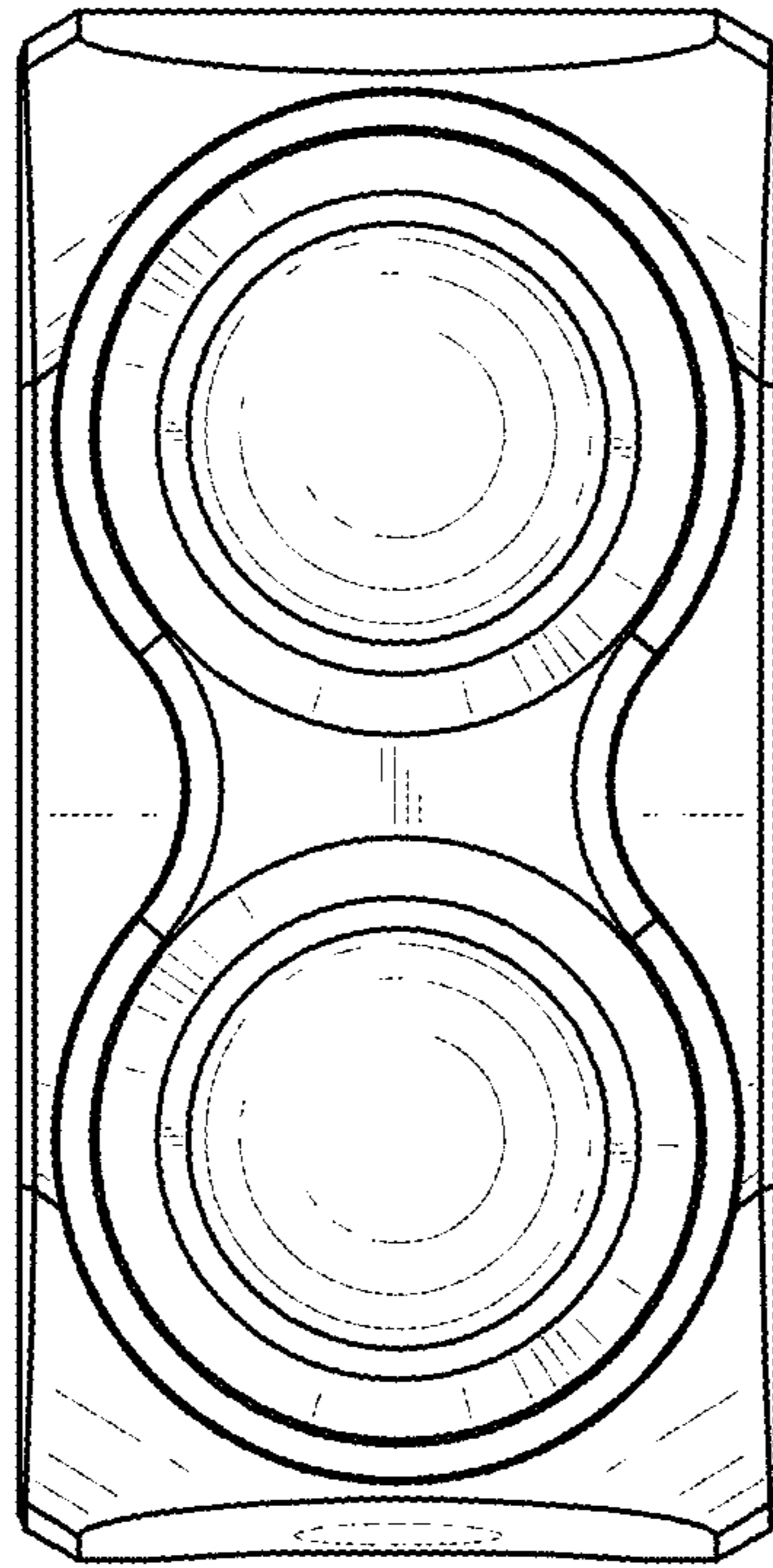




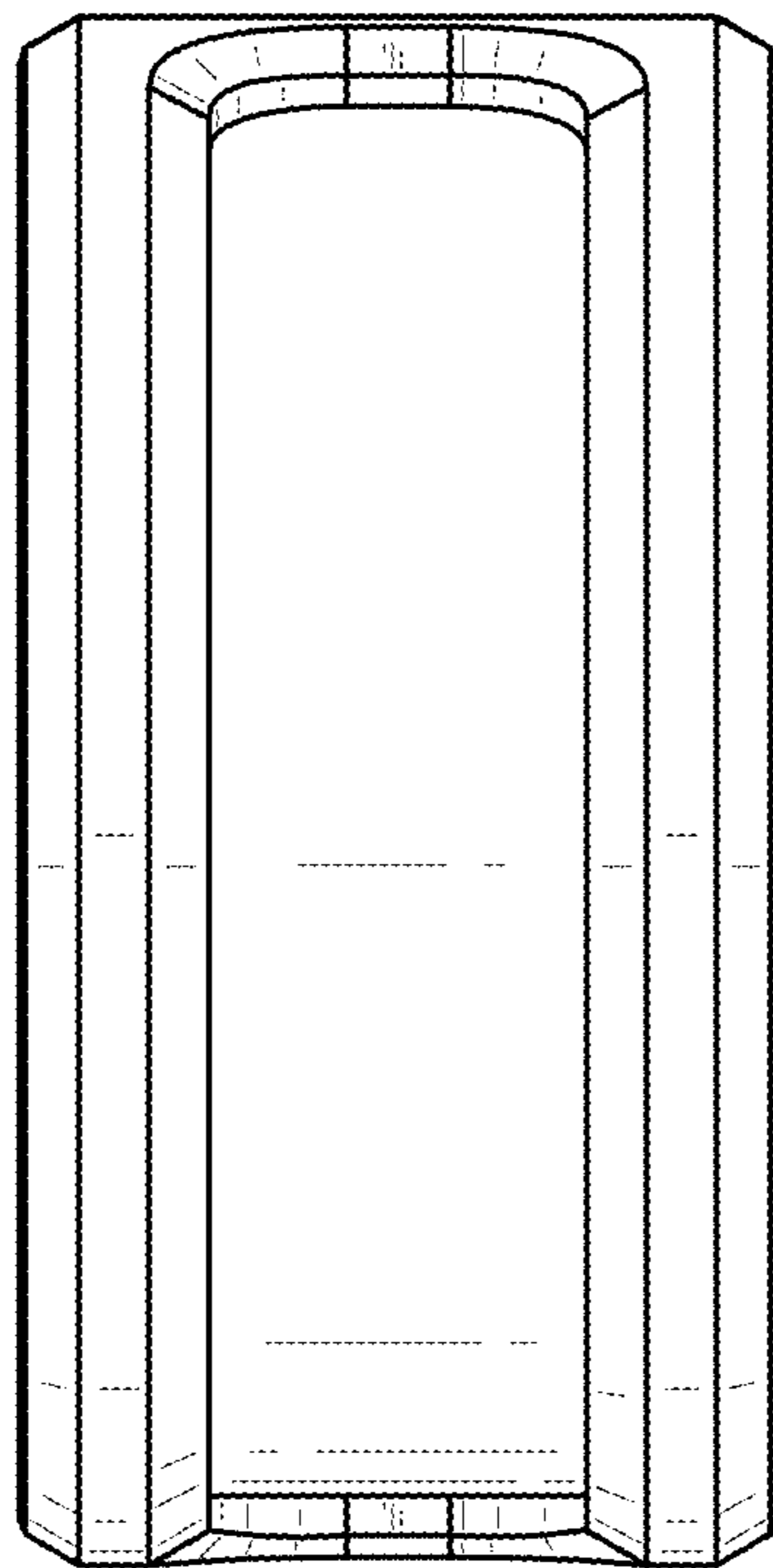
*FIG. 3*



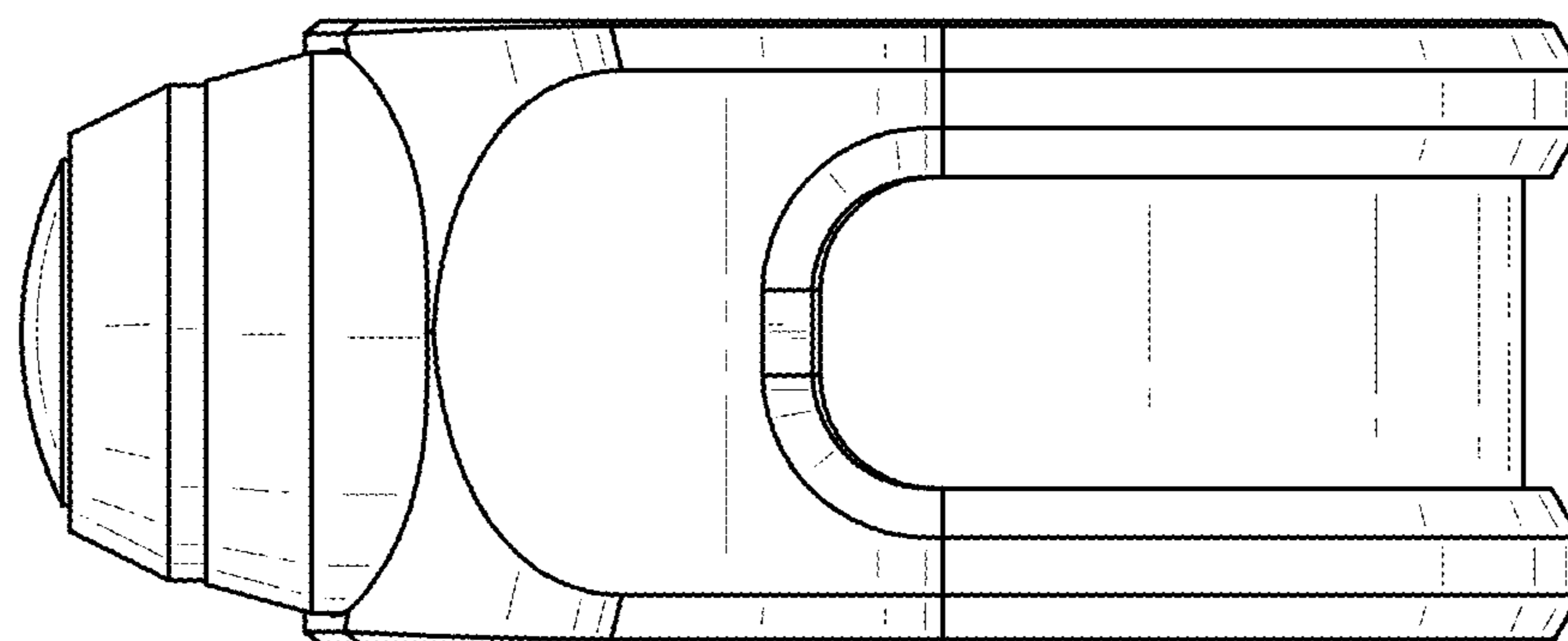
*FIG. 4*



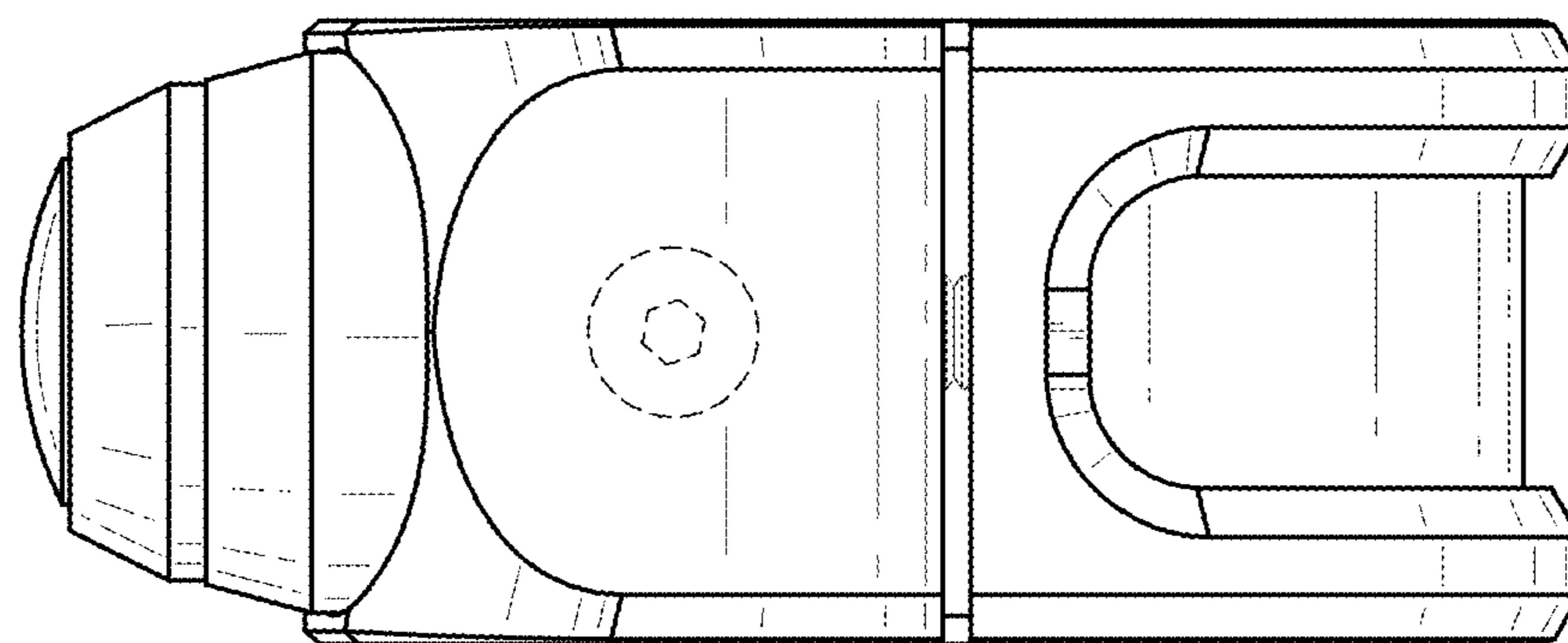
*FIG. 5*



*FIG. 6*



*FIG. 7*



*FIG. 8*