

US00D937136S

(12) **United States Design Patent** (10) **Patent No.:** **US D937,136 S**  
**Hu** (45) **Date of Patent:** **\*\* Nov. 30, 2021**

(54) **ELECTRIC BICYCLE**  
(71) Applicant: **Beijing Niu Information Technology Co., Ltd.**, Beijing (CN)  
(72) Inventor: **Yilin Hu**, Beijing (CN)  
(73) Assignee: **BEIJING NIU INFORMATION TECHNOLOGY CO., LTD.**, Beijing (CN)  
(\*\*) Term: **15 Years**

D543,903 S \* 6/2007 Kashima ..... D12/110  
D578,042 S \* 10/2008 Yang ..... D12/111  
D644,961 S \* 9/2011 Watanabe ..... D12/110  
D662,860 S \* 7/2012 Devernay ..... D12/110  
D678,128 S \* 3/2013 Lambri ..... D12/110  
D679,223 S \* 4/2013 Loasby ..... D12/110  
D730,778 S \* 6/2015 Harness ..... D12/111  
D730,779 S \* 6/2015 Arbour ..... D12/111  
D742,791 S \* 11/2015 Sanderson ..... D12/110  
D761,699 S \* 7/2016 Watanabe ..... D12/110  
D806,610 S \* 1/2018 Su ..... D12/110  
D838,212 S \* 1/2019 David ..... D12/110  
D856,853 S \* 8/2019 Luke ..... D12/110  
D874,984 S \* 2/2020 Luke ..... D12/110

(Continued)

(21) Appl. No.: **29/705,153**

(22) Filed: **Sep. 10, 2019**

(30) **Foreign Application Priority Data**

Mar. 14, 2019 (CN) ..... 201930105007.3

(51) **LOC (13) Cl.** ..... **12-11**

(52) **U.S. Cl.**  
USPC ..... **D12/111; D12/110**

(58) **Field of Classification Search**  
USPC ..... D12/107, 110, 111, 117; D21/412, 414, D21/419, 423-428  
CPC . B62K 3/00; B62K 3/005; B62K 9/00; B62K 19/00; B62K 19/02; B62K 19/04; B62K 19/06; B62K 19/16; B62K 3/02; B62K 3/06

See application file for complete search history.

(56) **References Cited**

**U.S. PATENT DOCUMENTS**

D253,102 S \* 10/1979 Hahn ..... D12/110  
D273,100 S \* 3/1984 Ziegler ..... D12/111  
D302,801 S \* 8/1989 Lacroix ..... D12/110  
D406,253 S \* 3/1999 Yamashita ..... D12/110  
D441,323 S \* 5/2001 Cheng ..... D12/111  
D470,438 S \* 2/2003 Tateishi ..... D12/110  
D538,714 S \* 3/2007 Okuyama ..... D12/110

**OTHER PUBLICATIONS**

“Segway eMoped C80” Segway., posted date Sep. 10, 2019 [online], [retrieved on Mar. 10, 2021]. Retrieved from the Internet <URL: <https://store.segway.com/segway-emoped-c80>> (Year: 2019).\*

(Continued)

*Primary Examiner* — Darlington Ly  
*Assistant Examiner* — Nasim Abdulaziz Ali  
(74) *Attorney, Agent, or Firm* — Robert C. Netter, Jr.; Dann, Dorfman, Herrell & Skillman

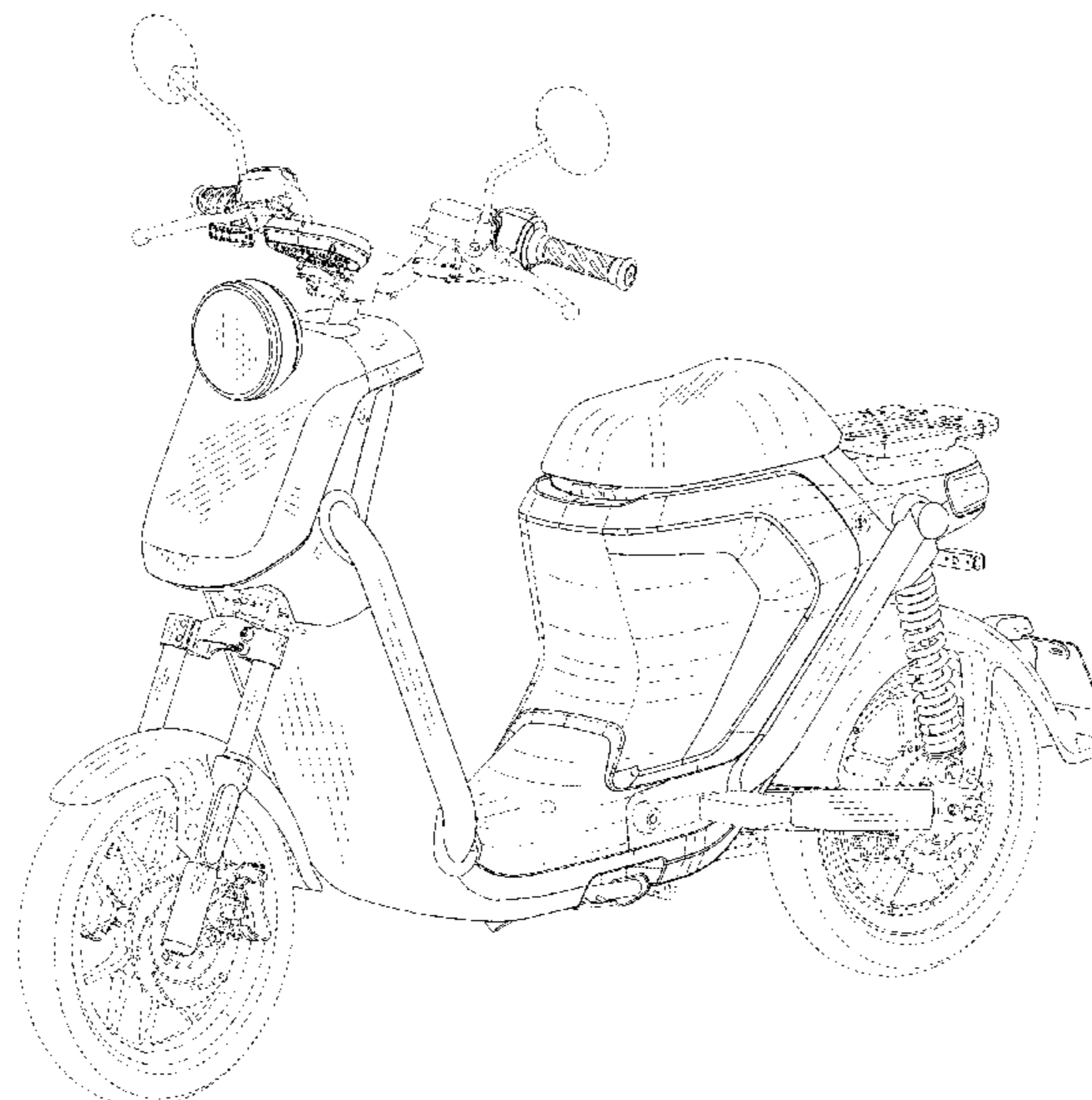
(57) **CLAIM**

I claim the ornamental design for an electric bicycle, as shown and described.

**DESCRIPTION**

FIG. 1 is a left side elevation view of an electric bicycle embodying my new design;  
FIG. 2 is a right side elevation view thereof;  
FIG. 3 is a front elevation view thereof;  
FIG. 4 is a rear elevation view thereof;  
FIG. 5 is a top plan view thereof; and,  
FIG. 6 is a perspective view thereof.

**1 Claim, 6 Drawing Sheets**



(56)

**References Cited**

U.S. PATENT DOCUMENTS

D910,497 S \* 2/2021 Sun ..... D12/111

OTHER PUBLICATIONS

“NIU debuts new electric scooters” NIU., posted date Nov. 7, 2018 [online], [retrieved on Mar. 10, 2021]. Retrieved from the Internet <URL: <https://electrek.co/2018/11/07/niu-electric-scooters-umini/>> (Year: 2018).\*

“Xiaomi’s Cute Electric Moped” Xiamoi., posted date Mar. 30, 2020 [online], [retrieved on Mar. 10, 2021]. Retrieved from the Internet <URL: <https://www.zigwheels.com/news-features/news/xiaomi-a1-e-bike-unveiled-in-china-cheaper-than-oneplus-7/38034/>> (Year: 2020).\*

\* cited by examiner

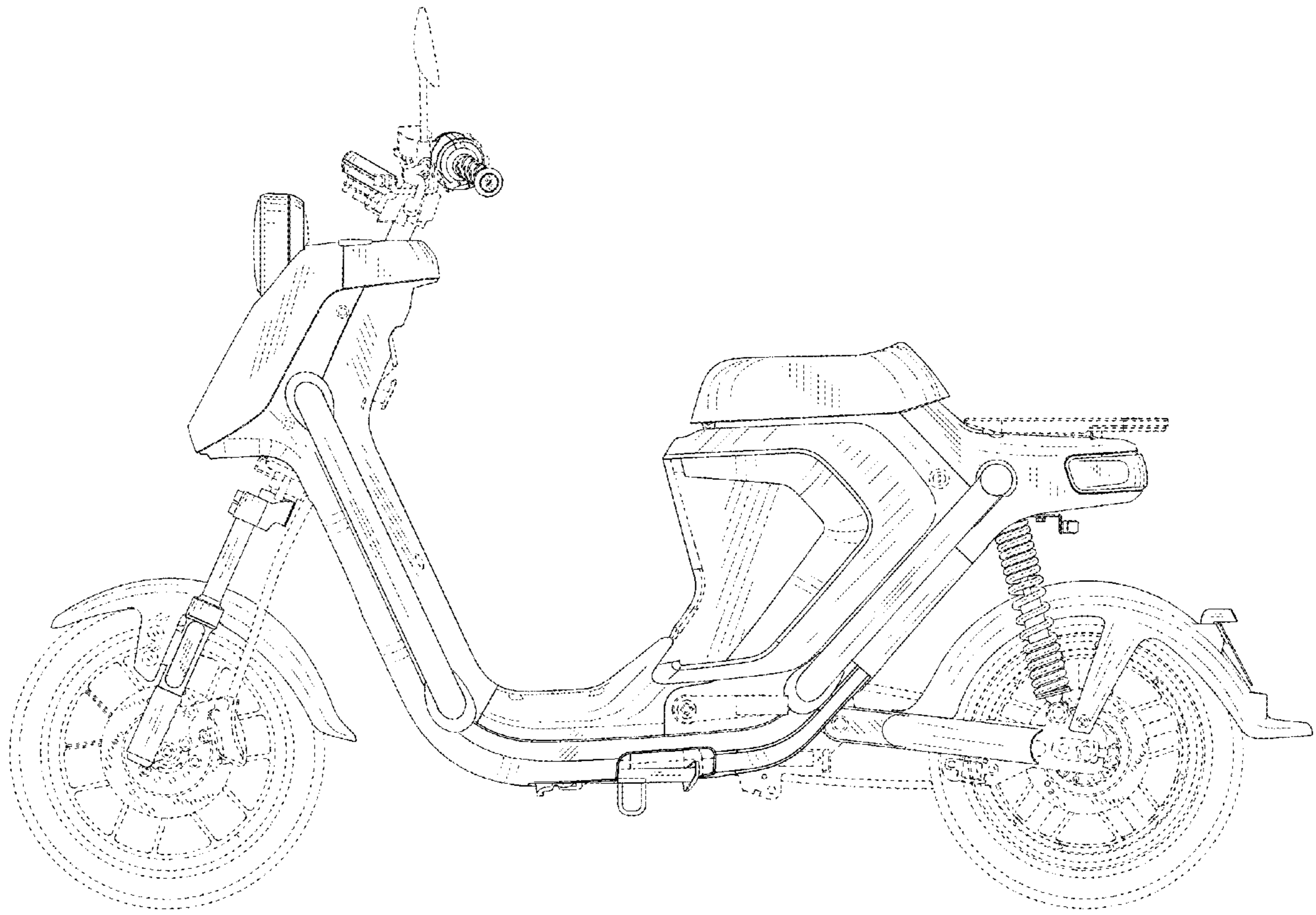


FIG.1

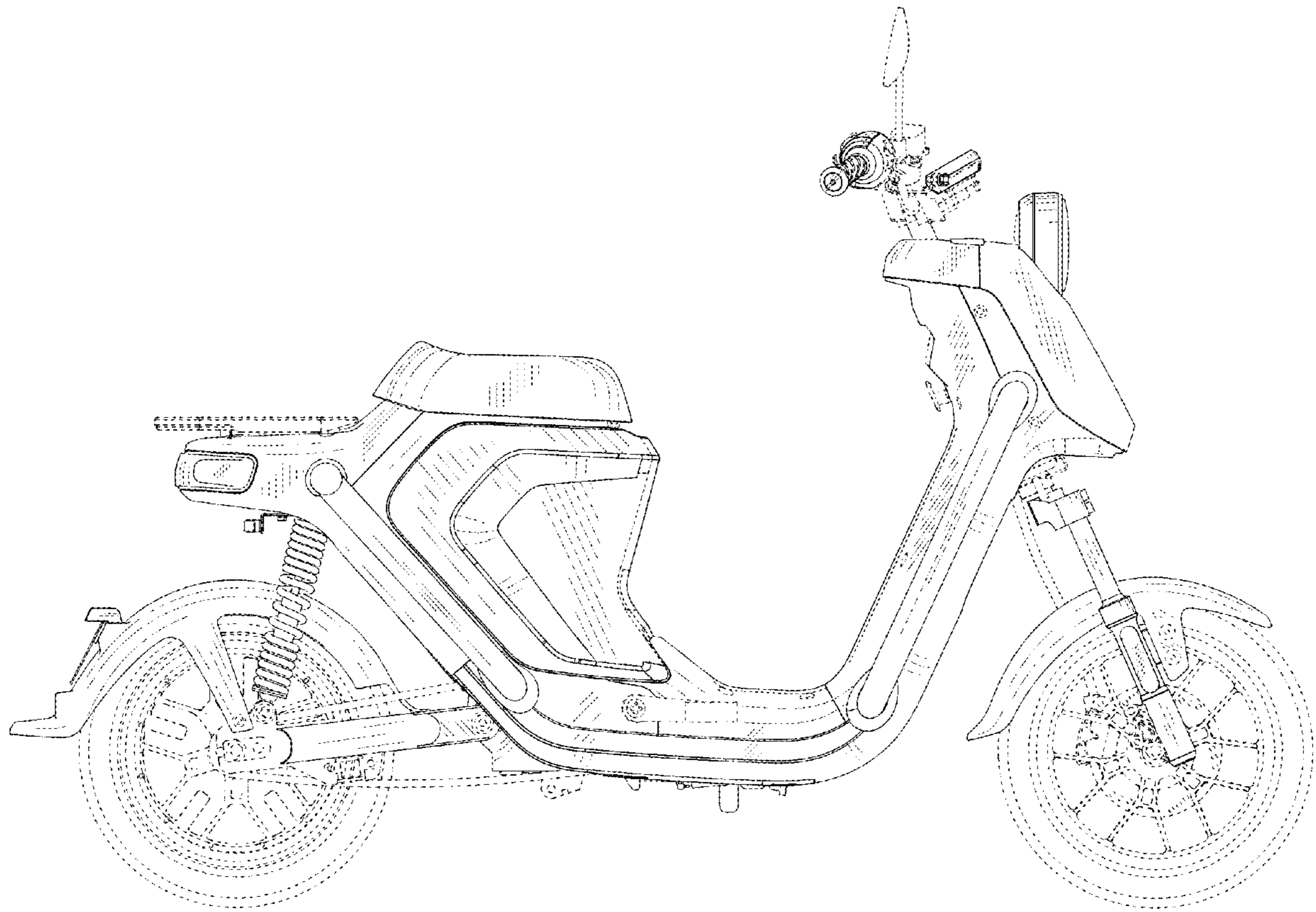


FIG.2

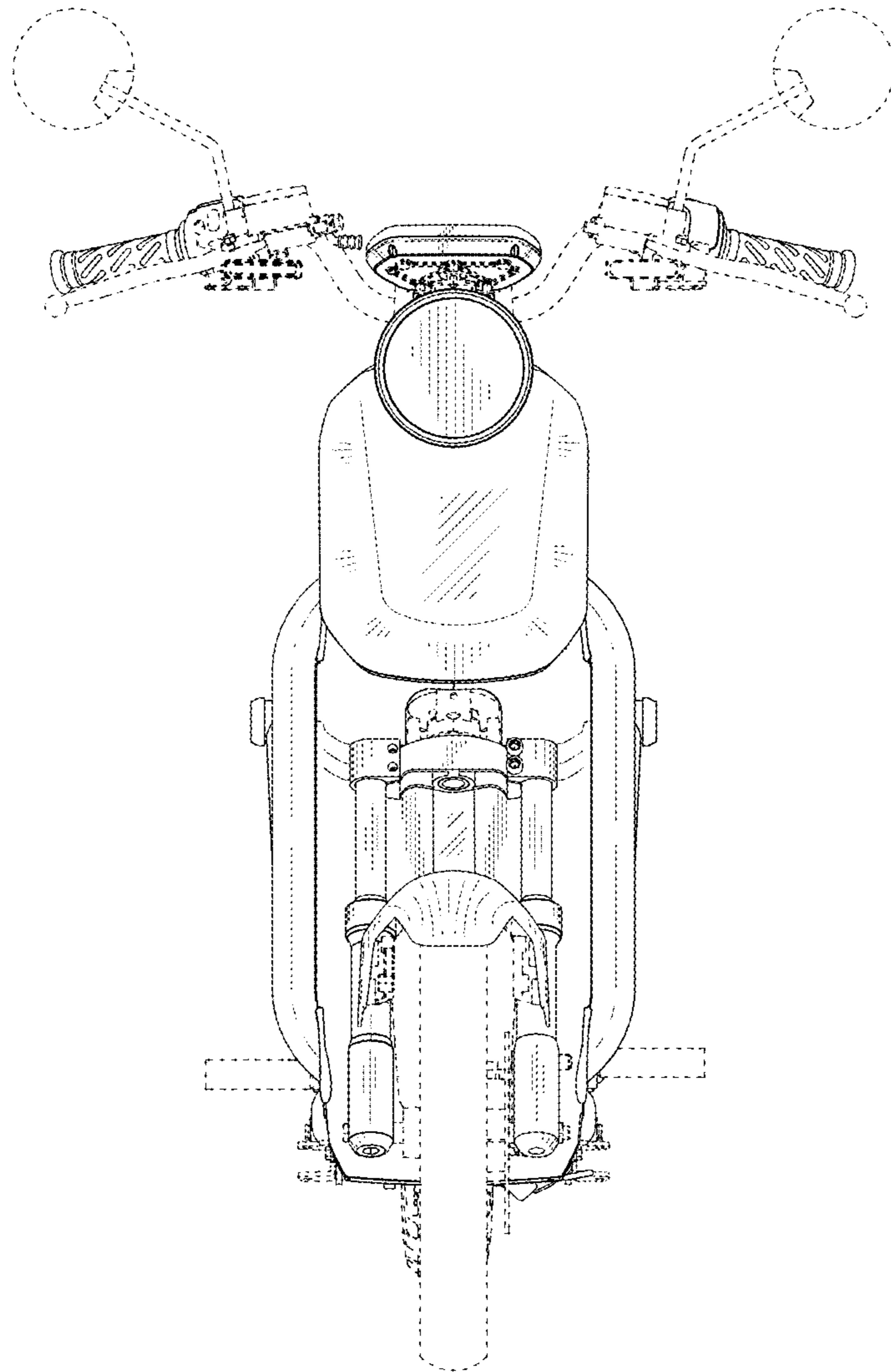


FIG.3

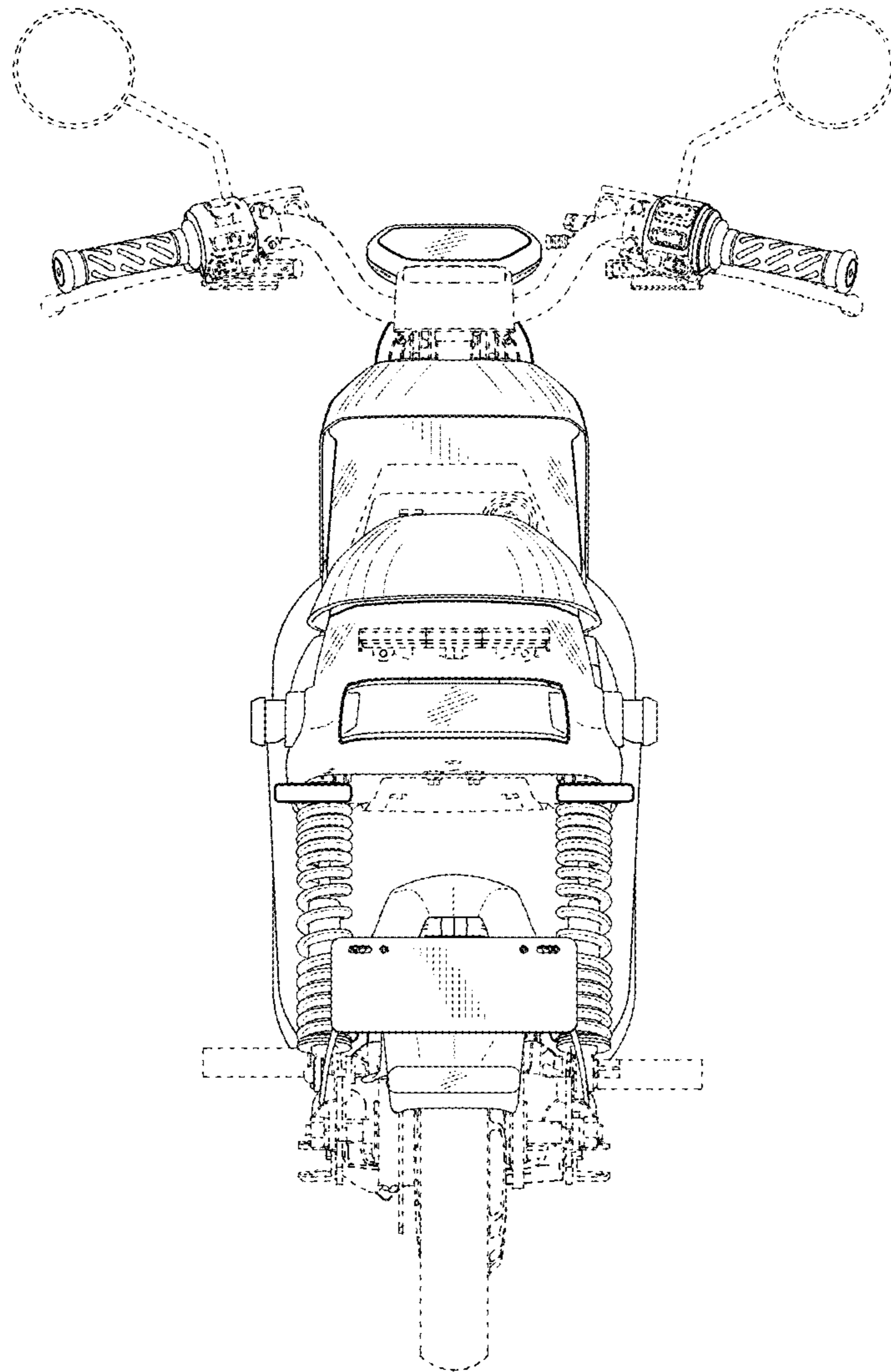


FIG.4

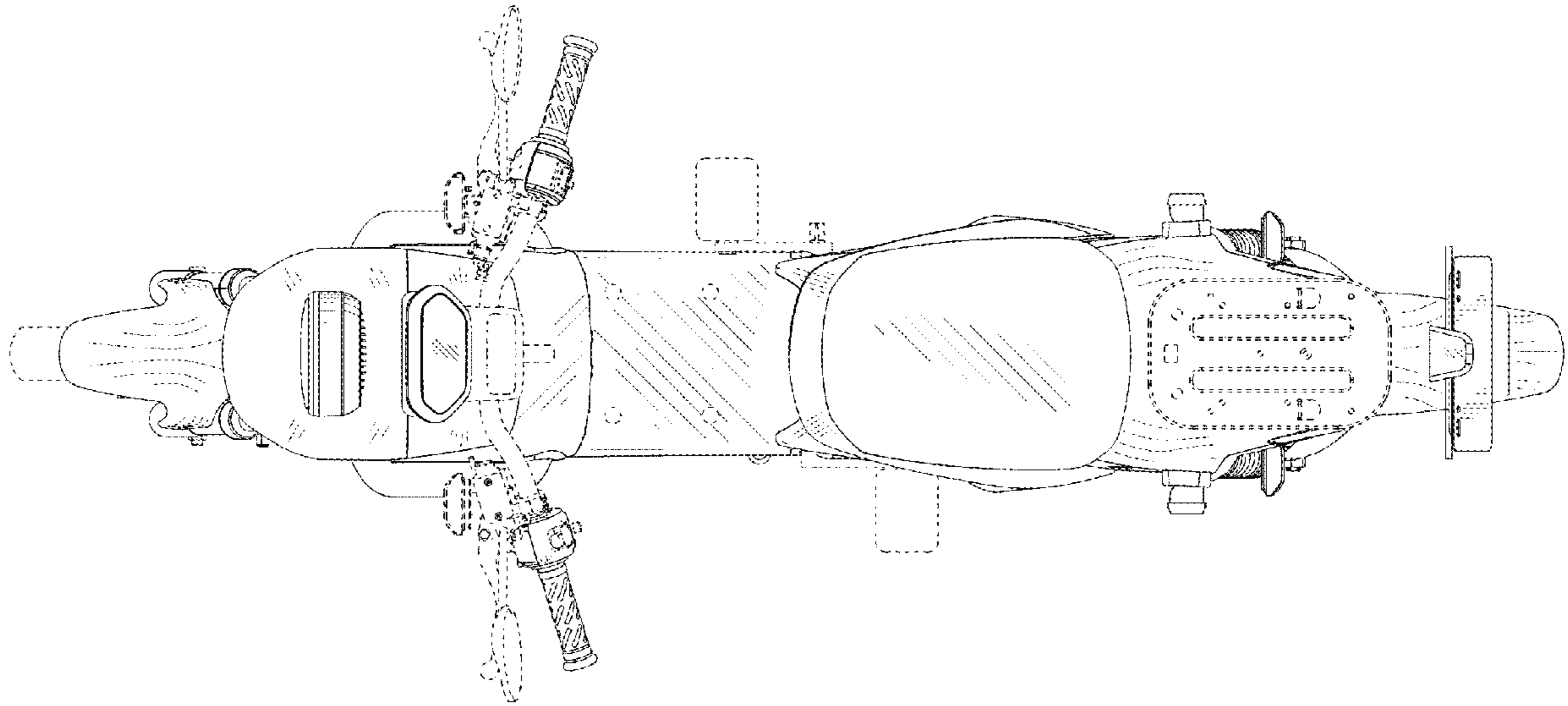


FIG.5

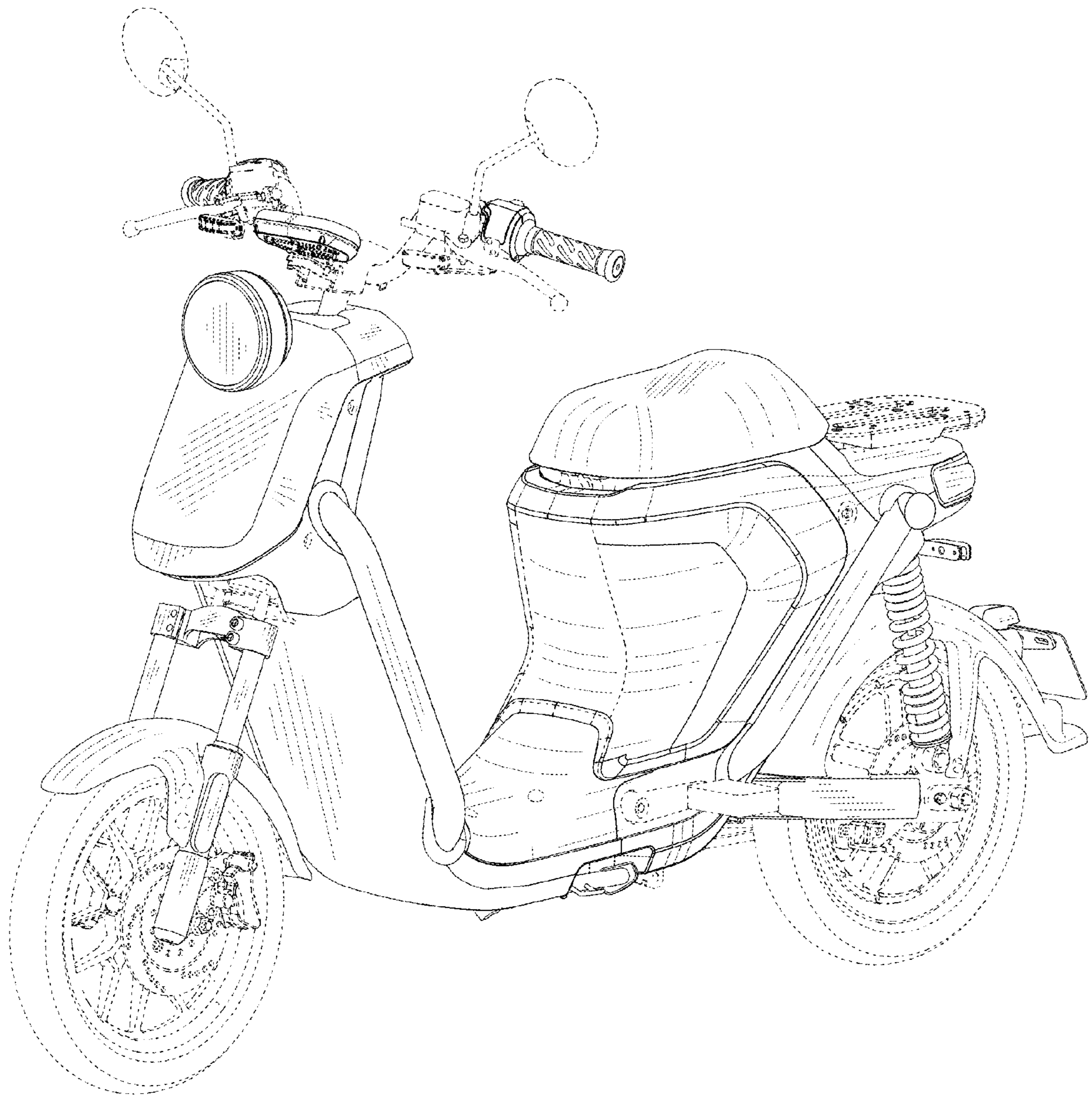


FIG. 6