



US00D937129S

(12) **United States Design Patent** (10) **Patent No.:** **US D937,129 S**  
**Manzoni** (45) **Date of Patent:** **\*\* Nov. 30, 2021**

- (54) **CAR BODY PORTION**
- (71) Applicant: **Ferrari S.p.A.**, Modena (IT)
- (72) Inventor: **Flavio Manzoni**, Maranello (IT)
- (73) Assignee: **FERRARI S.p.A.**, Modena (IT)
- (\*\*) Term: **15 Years**
- (21) Appl. No.: **29/741,574**
- (22) Filed: **Jul. 14, 2020**

**Related U.S. Application Data**

- (62) Division of application No. 35/507,021, filed on Jan. 4, 2019 (U.S. filing date under 35 U.S.C. 384), and having an international filing date of Jan. 4, 2019, now Pat. No. Des. 902,783.

(30) **Foreign Application Priority Data**

- Jul. 4, 2018 (EM) ..... 005403516
- (51) **LOC (13) Cl.** ..... **12-08**
- (52) **U.S. Cl.**  
USPC ..... **D12/92**
- (58) **Field of Classification Search**  
USPC ..... D12/86, 90, 91, 92, 98; D21/424, 433,  
D21/434  
CPC ..... B62D 25/00; B62D 25/06; B62D 33/00;  
B62D 35/00  
See application file for complete search history.

(56) **References Cited**

**U.S. PATENT DOCUMENTS**

- D680,030 S \* 4/2013 Rodriguez ..... D12/92
- D703,585 S \* 4/2014 Scheinhutte ..... D12/92
- D710,260 S \* 8/2014 Villarreal ..... D12/92

- 9,073,410 B2 \* 7/2015 Bruant ..... B60J 7/028
- D738,259 S \* 9/2015 Ohnuma ..... D12/92
- D763,737 S \* 8/2016 Varga ..... D12/92
- D786,134 S \* 5/2017 Varga ..... D12/92
- D790,405 S \* 6/2017 Christensen ..... D12/92
- 9,725,020 B2 \* 8/2017 Fainello ..... B60N 2/882
- D796,998 S \* 9/2017 Christensen ..... D12/92
- D797,606 S \* 9/2017 Oh ..... D12/92
- D808,302 S \* 1/2018 Oh ..... D12/92
- D809,971 S \* 2/2018 Lee ..... D12/92
- D809,972 S \* 2/2018 Fisker ..... D12/92
- D825,388 S \* 8/2018 Karras ..... D12/92
- D831,542 S \* 10/2018 Russo ..... D12/92
- D836,031 S \* 12/2018 Lim ..... D12/92
- D840,874 S \* 2/2019 Fisker ..... D12/92
- D845,174 S \* 4/2019 Iwao ..... D12/92
- D847,028 S \* 4/2019 Loeb ..... D12/92

\* cited by examiner

*Primary Examiner* — Darlington Ly

(74) *Attorney, Agent, or Firm* — Cowan, Liebowitz & Latman, P.C.; Anastasia Zhadina

(57) **CLAIM**

The ornamental design for a car body portion, as shown and described.

**DESCRIPTION**

FIG. 1 is a top, front, and left side perspective view of a car body portion embodying my new design;  
 FIG. 2 is a top, rear, and right side perspective view thereof;  
 FIG. 3 is a front elevation view thereof;  
 FIG. 4 is a rear elevation view thereof;  
 FIG. 5 is a left side elevation view thereof;  
 FIG. 6 is a right side elevation view thereof; and,  
 FIG. 7 is a top plan view thereof.  
 The broken lines are shown for the purpose of illustrating portions of the car and form no part of the claimed design.

**1 Claim, 7 Drawing Sheets**

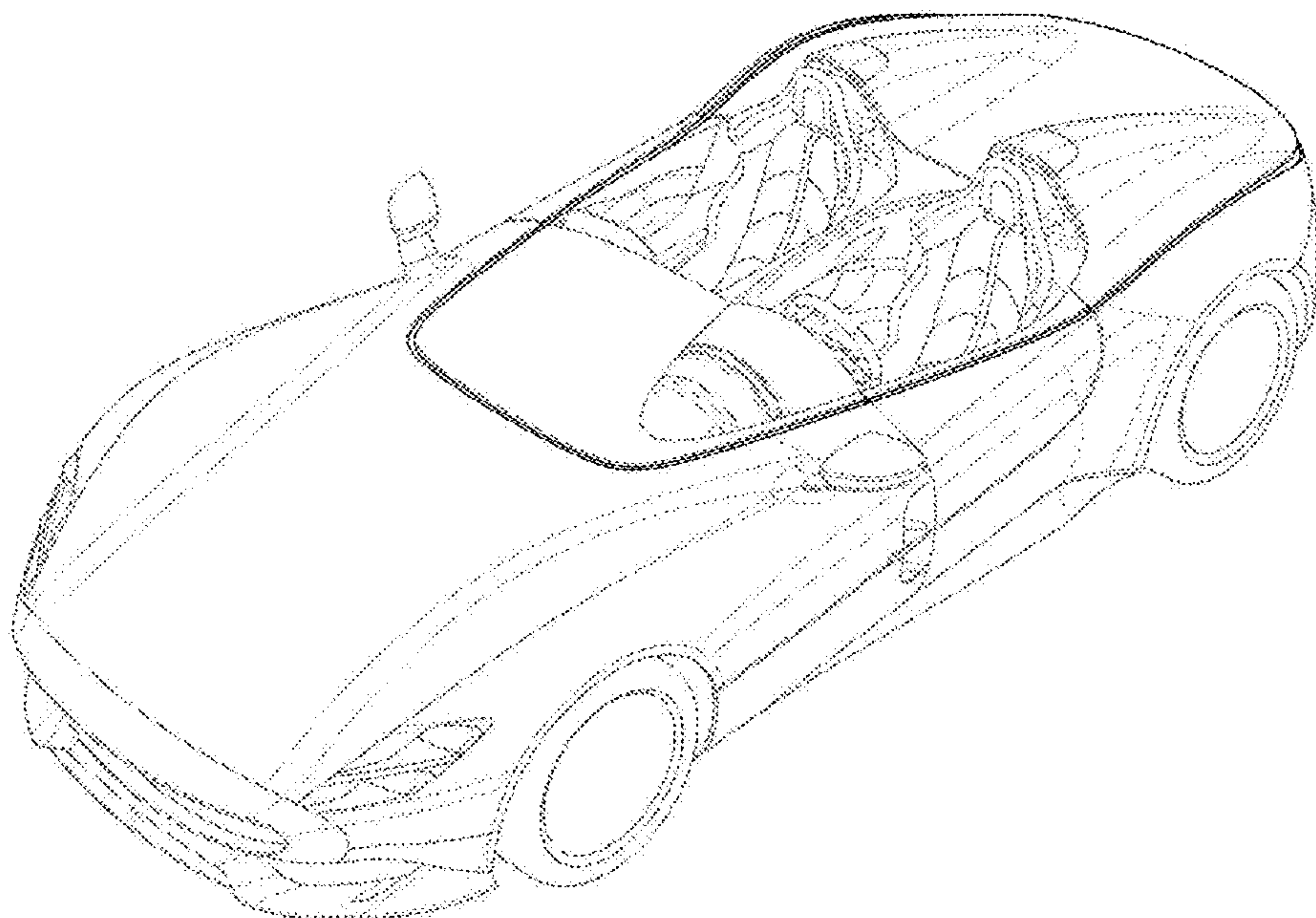


FIG. 1

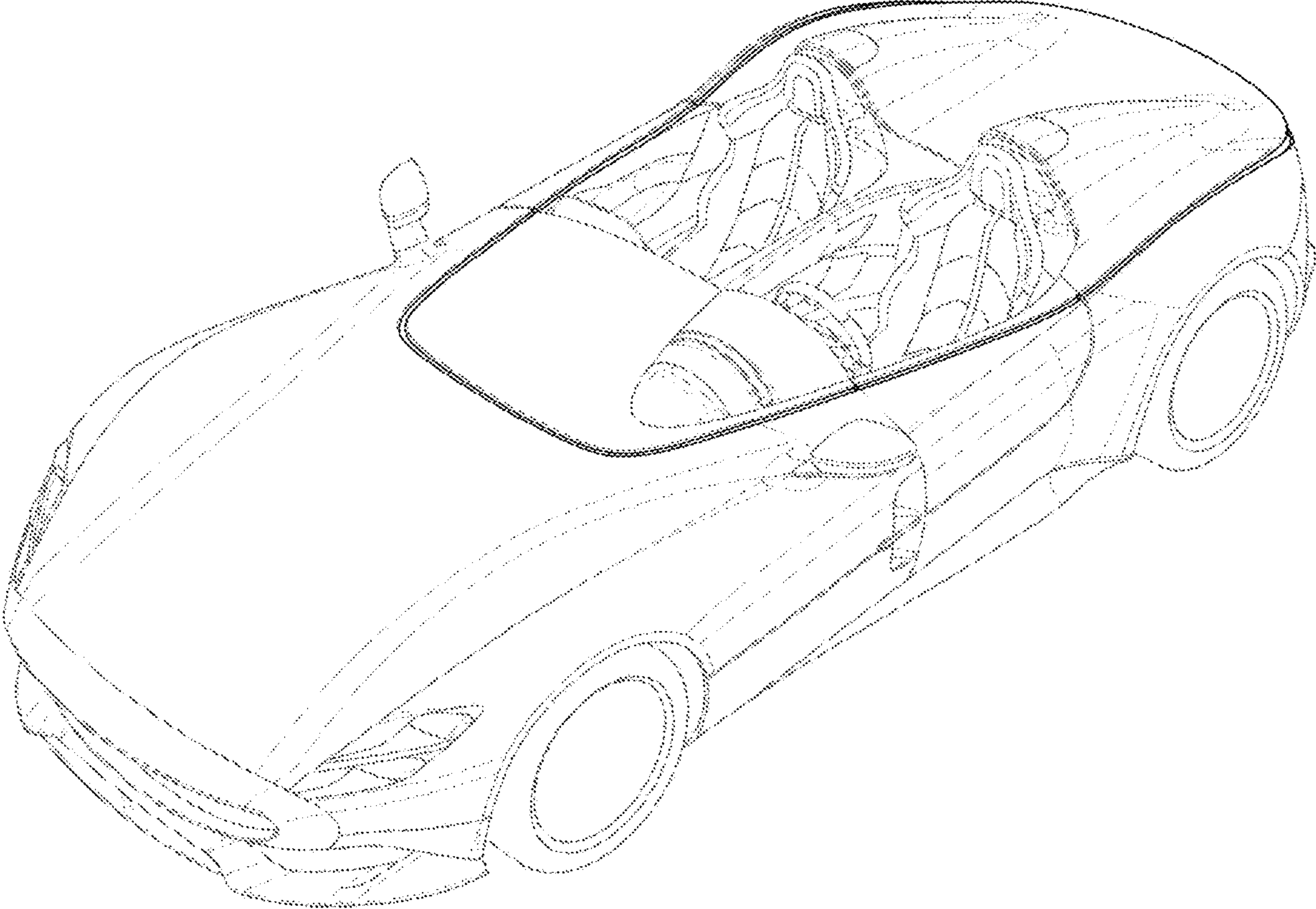


FIG. 2

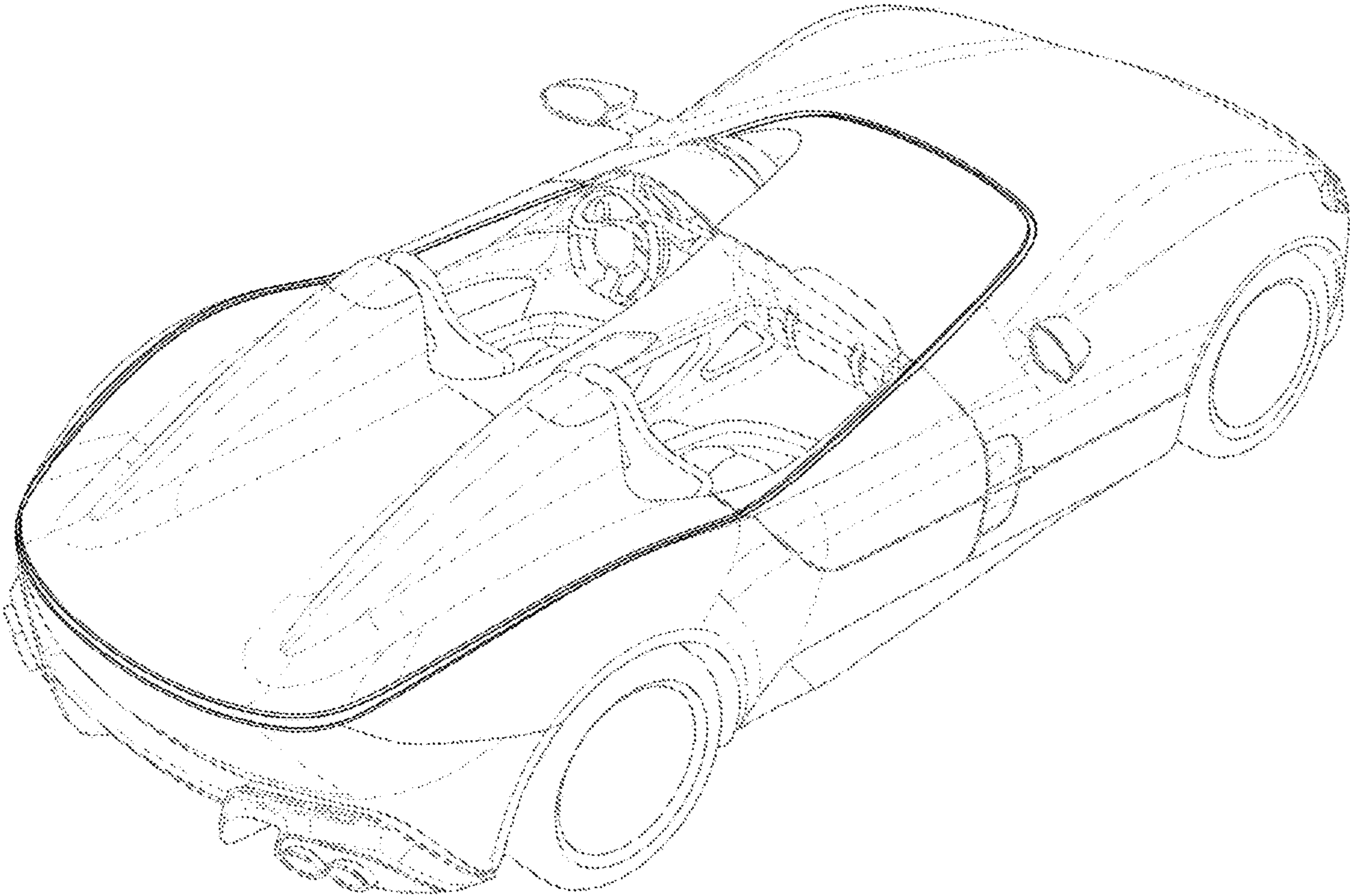




FIG. 3

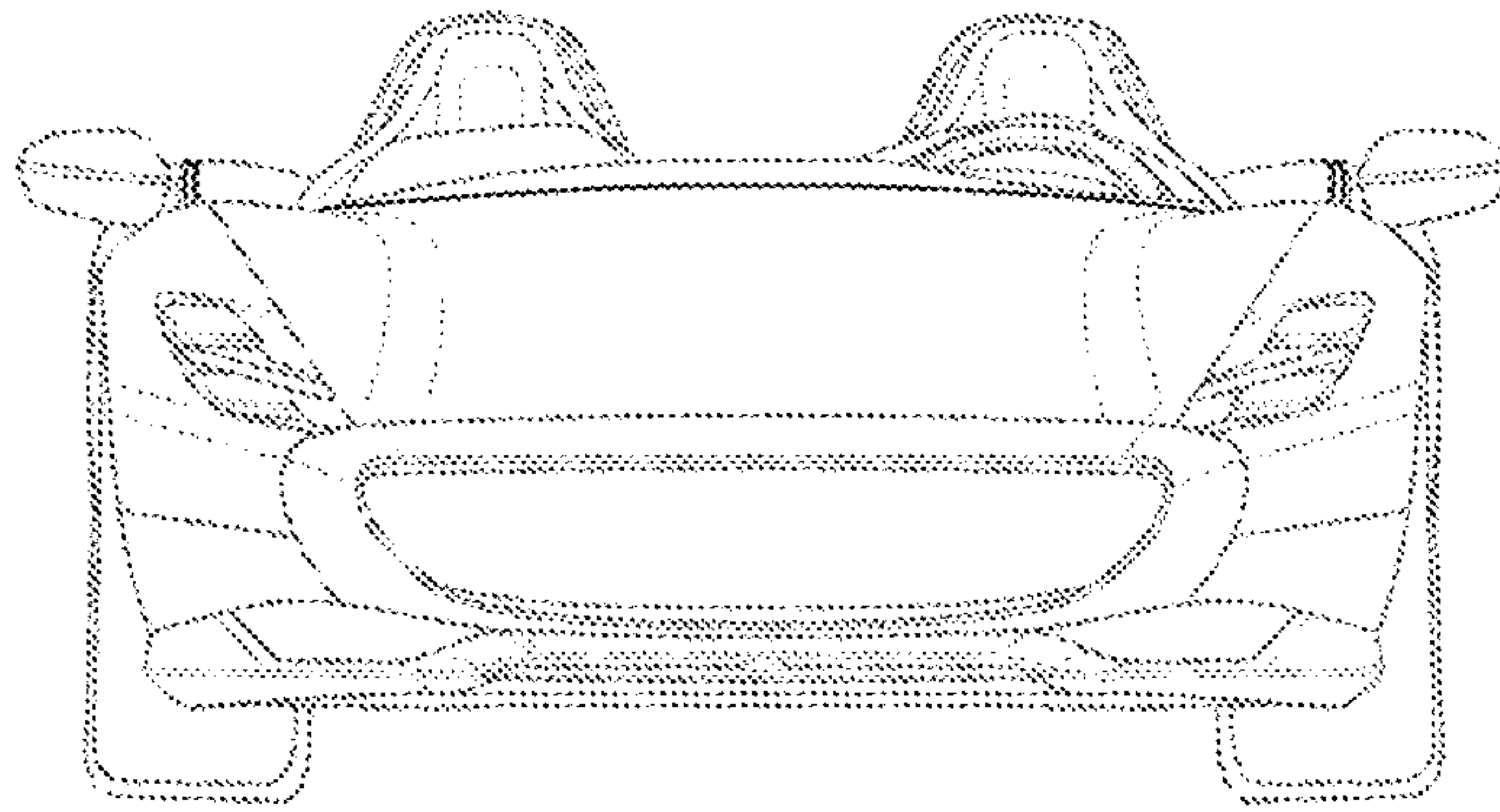


FIG. 4

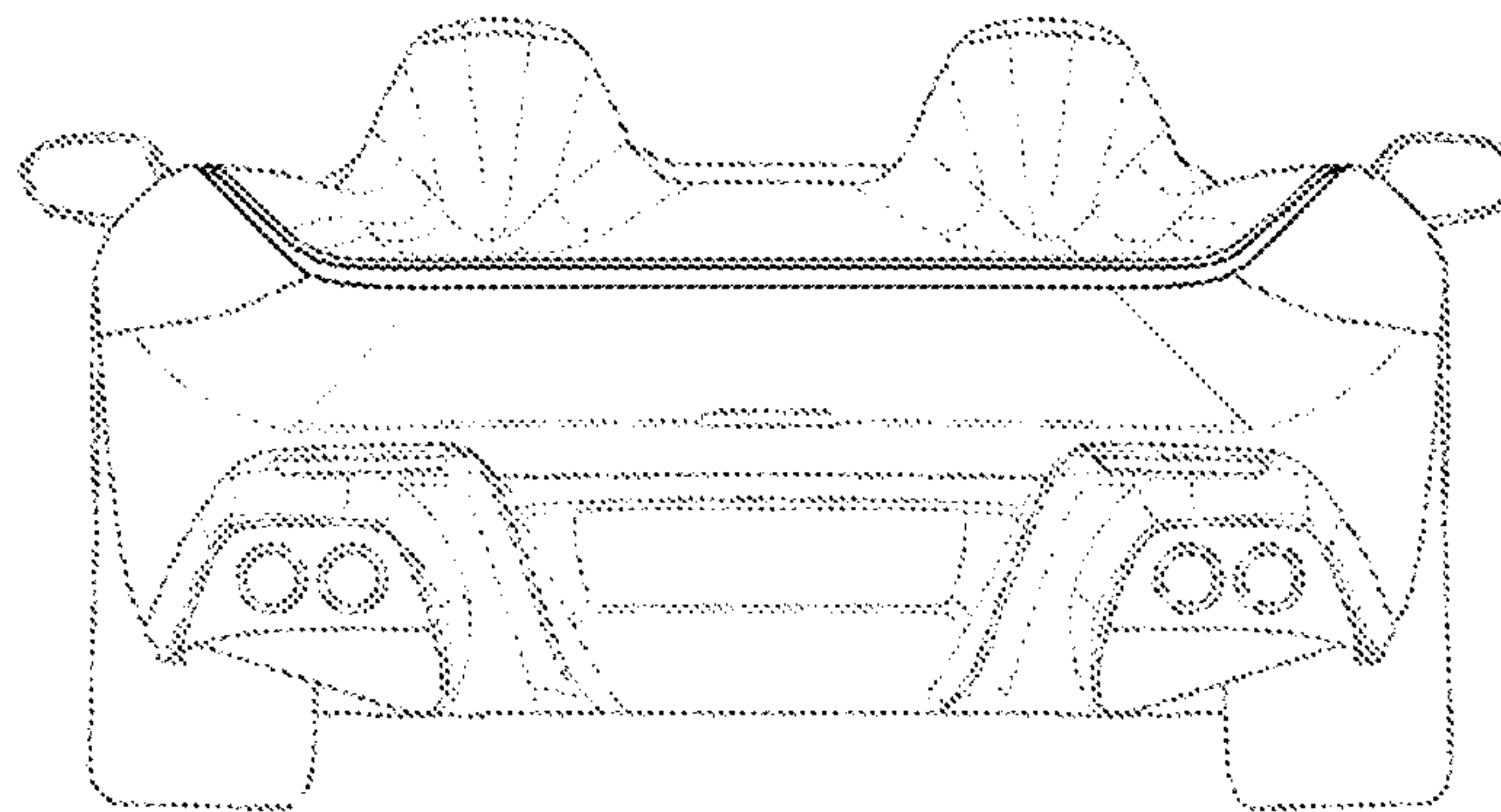


FIG. 5

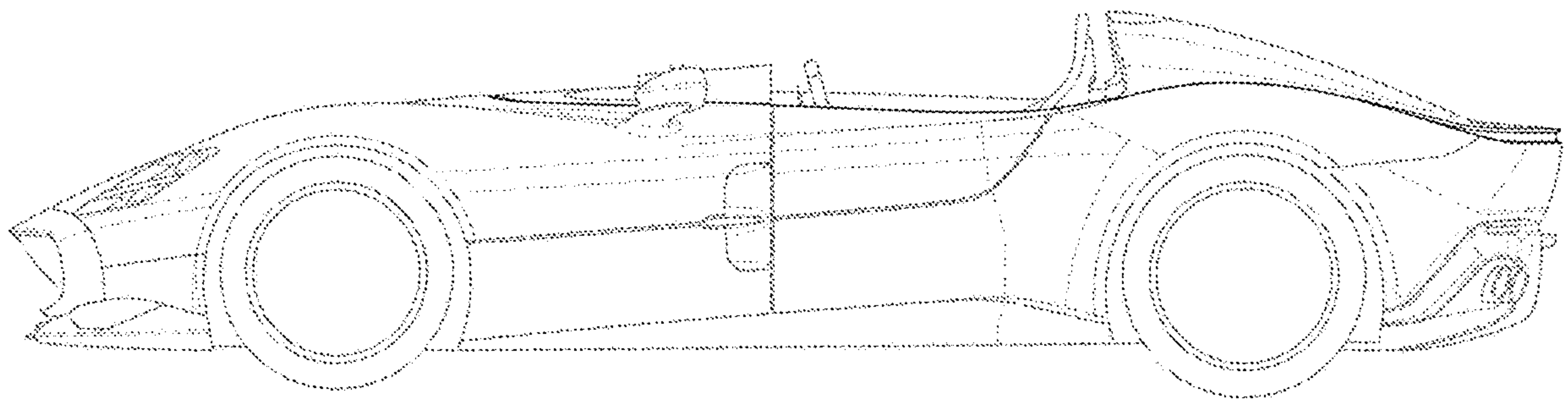


FIG. 6

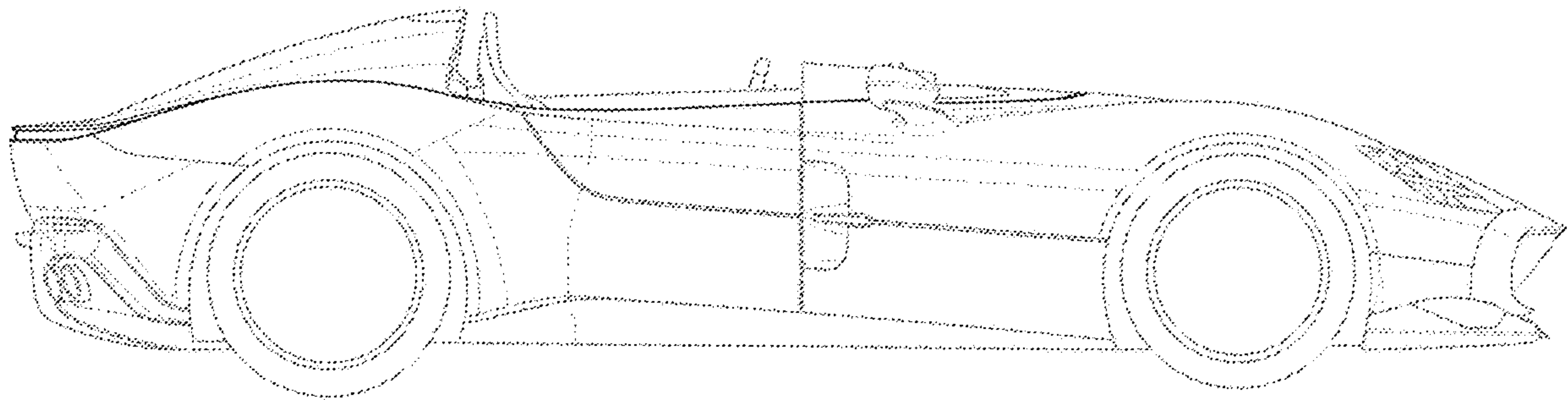


FIG. 7

