



US00D937128S

(12) **United States Design Patent**
Manzoni

(10) **Patent No.:** **US D937,128 S**

(45) **Date of Patent:** **** Nov. 30, 2021**

- (54) **CAR**
- (71) Applicant: **Ferrari S.p.A.**, Modena (IT)
- (72) Inventor: **Flavio Manzoni**, Maranello (IT)
- (73) Assignee: **FERRARI S.p.A.**, Modena (IT)
- (**) Term: **15 Years**
- (21) Appl. No.: **29/741,572**
- (22) Filed: **Jul. 14, 2020**

Related U.S. Application Data

- (62) Division of application No. 35/507,021, filed on Jan. 4, 2019 (U.S. filing date under 35 U.S.C. 384), and having an international filing date of Jan. 4, 2019, now Pat. No. Des. 902,783.

(30) **Foreign Application Priority Data**

Jul. 4, 2018 (EM) 005403516

- (51) **LOC (13) Cl.** **12-08**
- (52) **U.S. Cl.**
USPC **D12/92**
- (58) **Field of Classification Search**
USPC D12/86, 90, 91, 92, 98; D21/424, 433,
D21/434
CPC B62D 25/00; B62D 25/06; B62D 33/00;
B62D 35/00
See application file for complete search history.

(56) **References Cited**

U.S. PATENT DOCUMENTS

- D680,030 S * 4/2013 Rodriguez D12/92
- D703,585 S * 4/2014 Scheinhutte D12/92

- D710,260 S * 8/2014 Villarreal D12/92
- 9,073,410 B2 * 7/2015 Bruant B60J 7/028
- D738,259 S * 9/2015 Ohnuma D12/92
- D763,737 S * 8/2016 Varga D12/92
- D786,134 S * 5/2017 Varga D12/92
- D790,405 S * 6/2017 Christensen D12/92
- 9,725,020 B2 * 8/2017 Fainello B60N 2/882
- D796,998 S * 9/2017 Christensen D12/92
- D797,606 S * 9/2017 Oh D12/92
- D808,302 S * 1/2018 Oh D12/92
- D809,971 S * 2/2018 Lee D12/92
- D809,972 S * 2/2018 Fisker D12/92
- D825,388 S * 8/2018 Karras D12/92
- D831,542 S * 10/2018 Russo D12/92
- D836,031 S * 12/2018 Lim D12/92
- D840,874 S * 2/2019 Fisker D12/92
- D845,174 S * 4/2019 Iwao D12/92
- D847,028 S * 4/2019 Loeb D12/92

* cited by examiner

Primary Examiner — Darlington Ly

(74) *Attorney, Agent, or Firm* — Cowan, Liebowitz & Latman, P.C.; Anastasia Zhadina

(57) **CLAIM**

The ornamental design for a car, as shown and described.

DESCRIPTION

FIG. 1 is a top, front, and left side perspective view of a car embodying my new design;
 FIG. 2 is a top, rear, and right side perspective view thereof;
 FIG. 3 is a front elevation view thereof;
 FIG. 4 is a rear elevation view thereof;
 FIG. 5 is a left side elevation view thereof; and,
 FIG. 6 is a top plan view thereof.

1 Claim, 6 Drawing Sheets

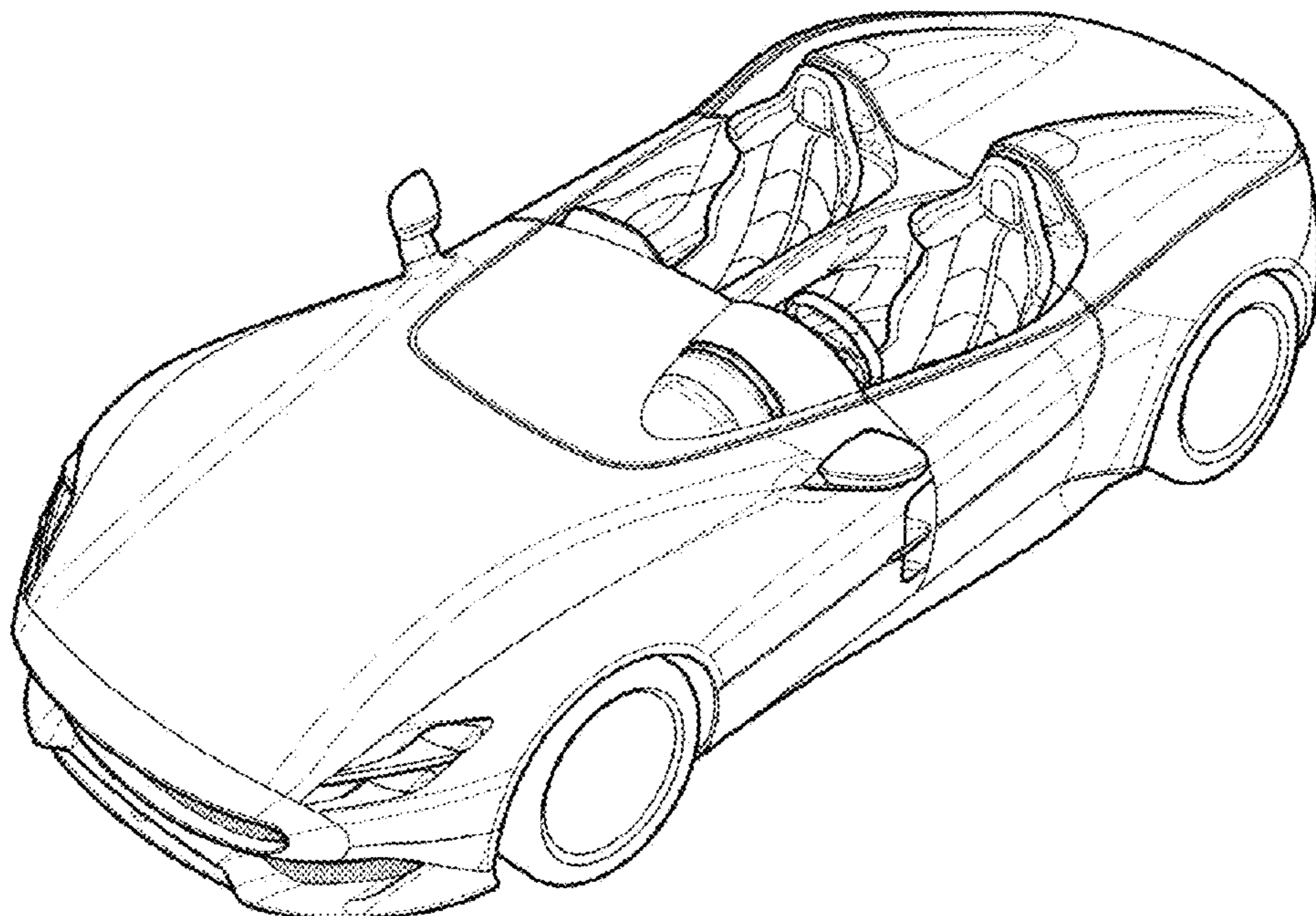


FIG. 1

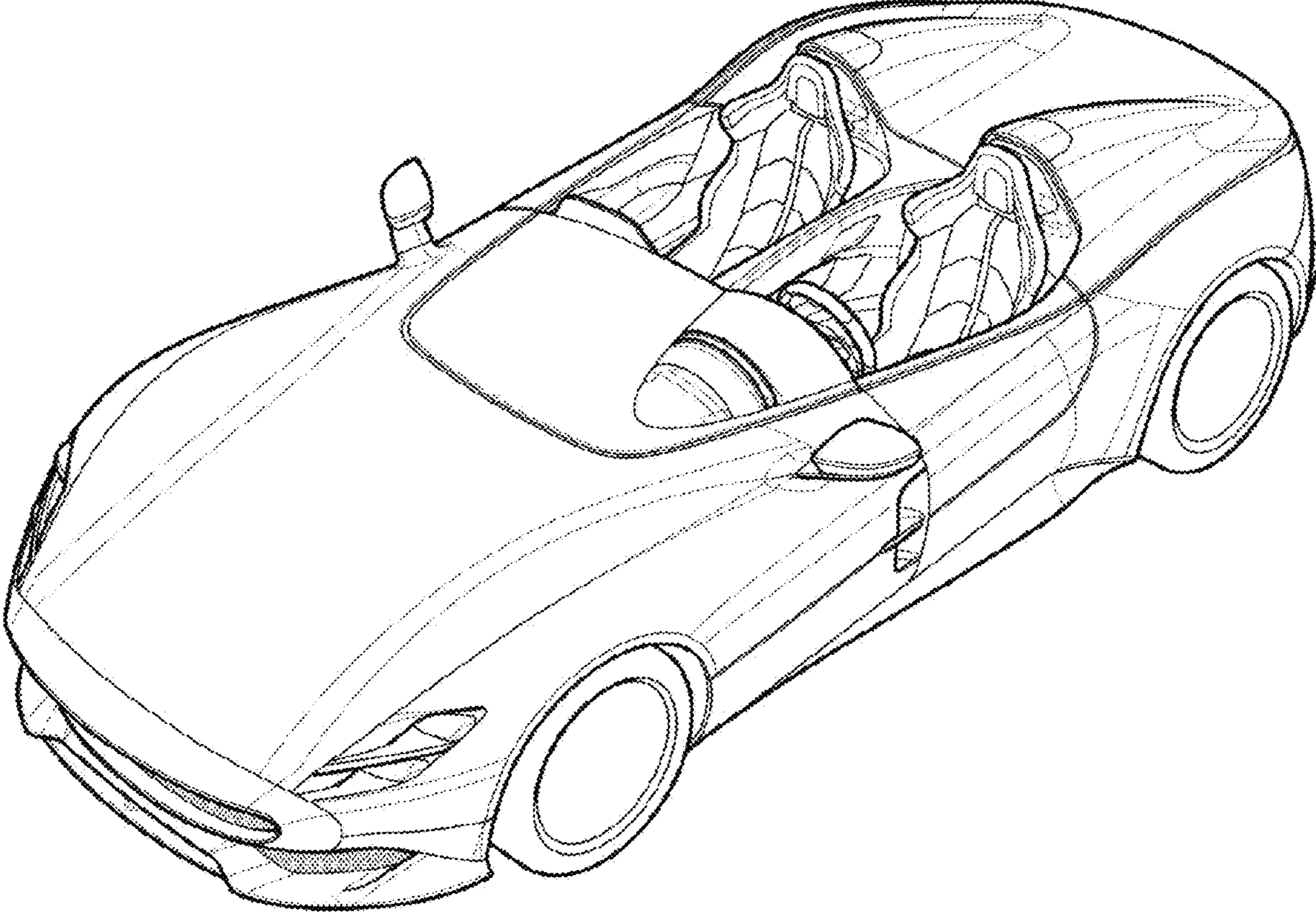


FIG. 2

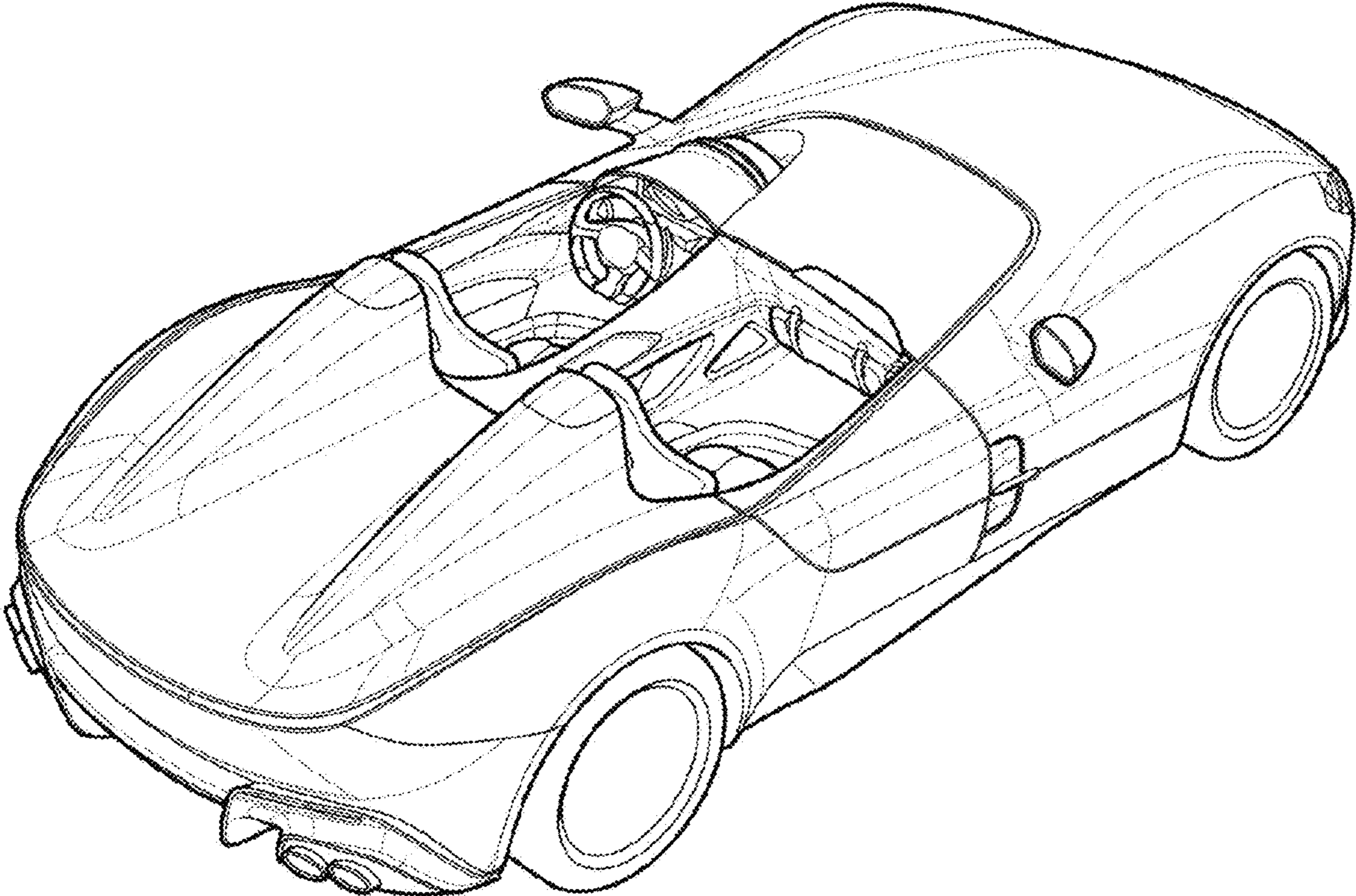


FIG. 3

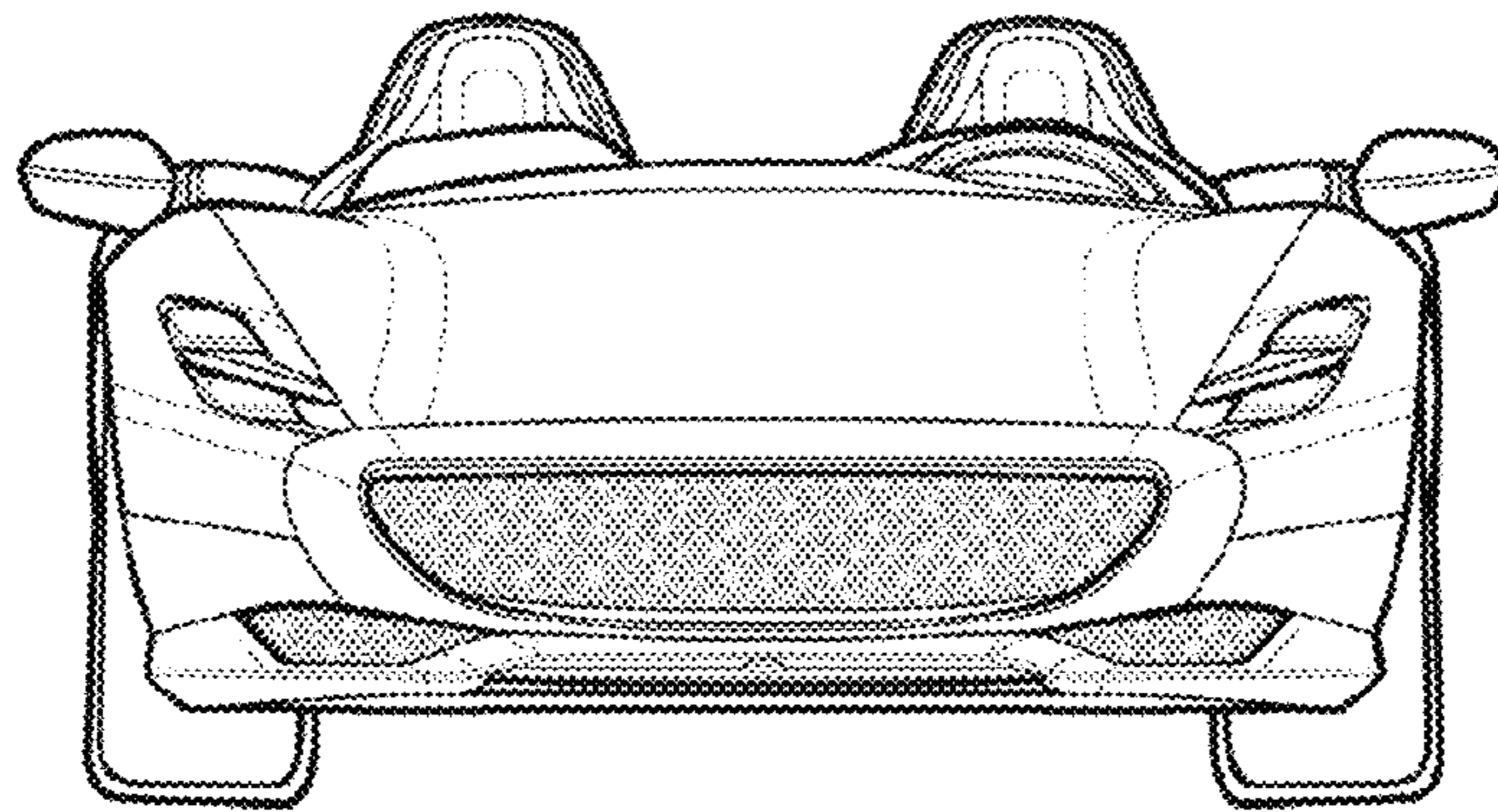


FIG. 4

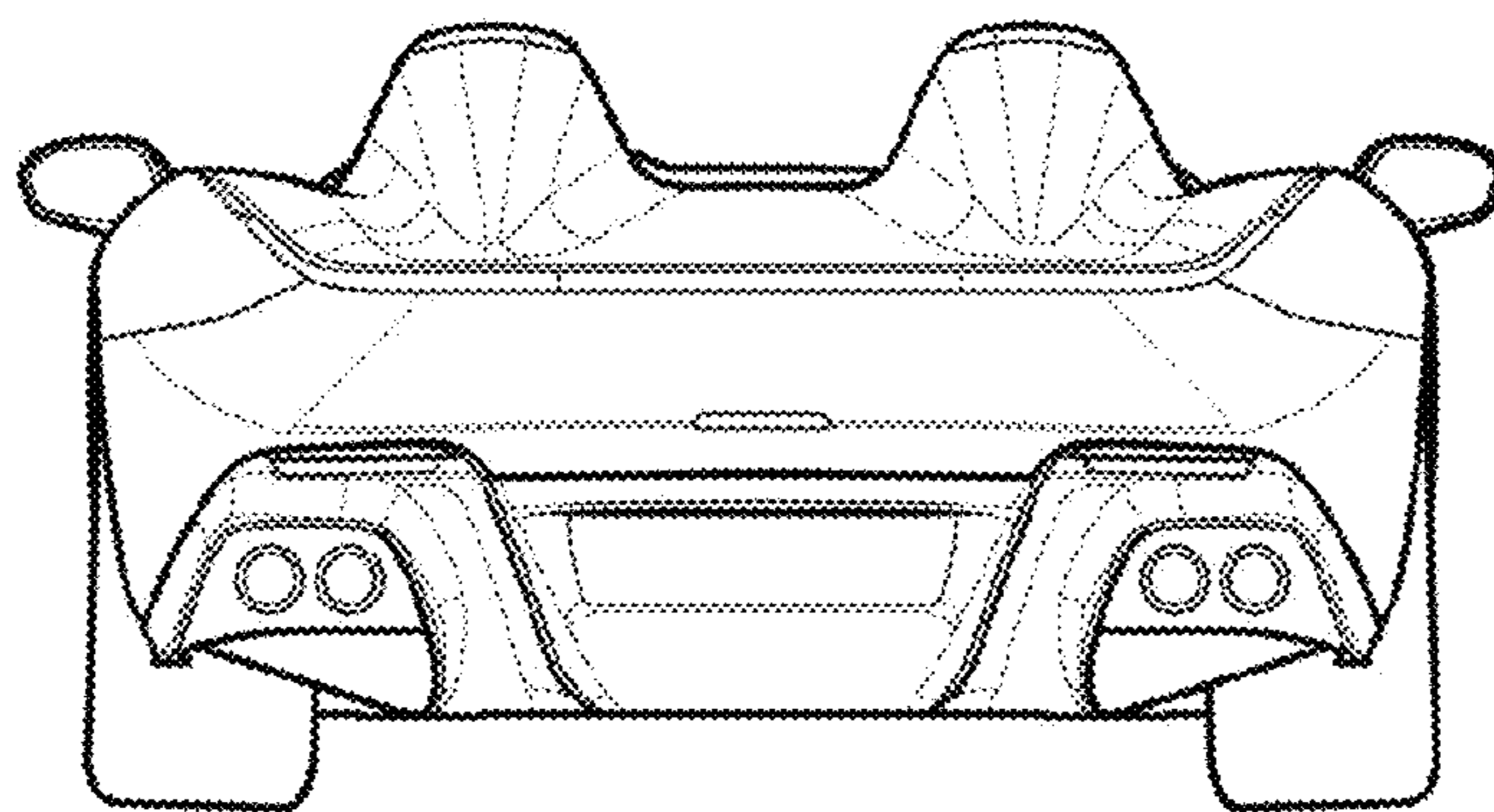


FIG. 5

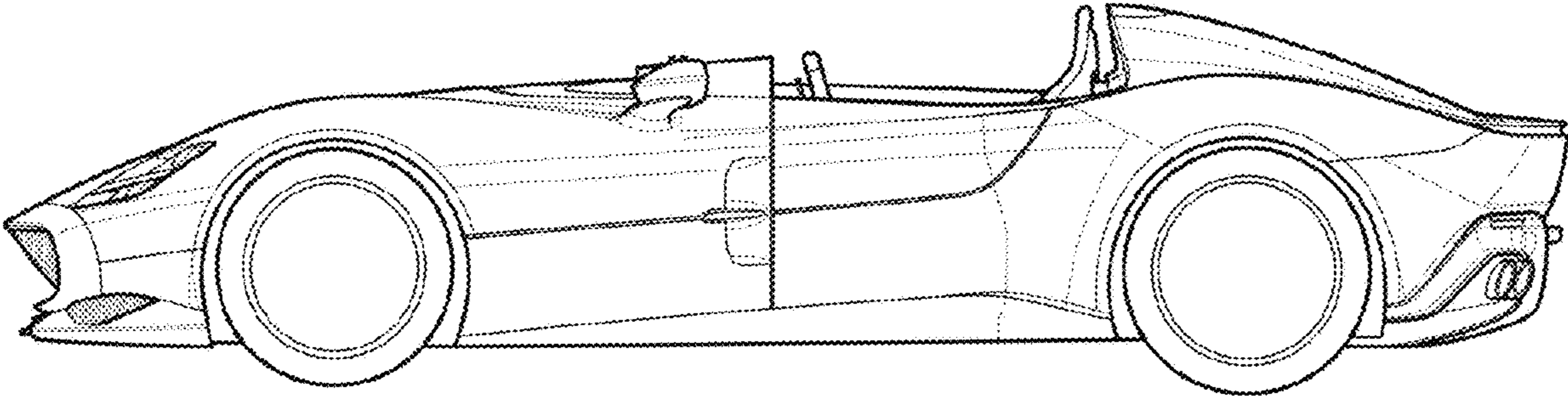


FIG. 6

