



US00D937118S

(12) **United States Design Patent** (10) **Patent No.:** **US D937,118 S**
Cardenas (45) **Date of Patent:** **** Nov. 30, 2021**

(54) **BUCKLE**
(71) Applicant: **J. Choo Limited**, London (GB)
(72) Inventor: **Johanna Cardenas**, Paris (FR)
(73) Assignee: **J. Choo Limited**, London (GB)
(**) Term: **15 Years**

(56) **References Cited**
U.S. PATENT DOCUMENTS
D33,489 S * 10/1900 Scheuer D2/627
D104,239 S * 4/1937 Blankmann D11/237
D172,012 S * 4/1954 Erlanger D11/86
D206,346 S * 11/1966 Steinman D11/75
(Continued)

(21) Appl. No.: **29/713,362**

FOREIGN PATENT DOCUMENTS
EM 006374807-0005 * 4/2019

(22) Filed: **Nov. 15, 2019**

OTHER PUBLICATIONS
Facebook Jimmy Choo Go Monochrome, Jul. 8, 2019, [online], [site visited Feb. 16, 2021], Retrieved from url:https://www.facebook.com/JimmyChoo/photos/a.429476313891/10156590025418892/?type=3 (Year: 2019).*

(30) **Foreign Application Priority Data**
Jul. 24, 2019 (EM) 006645669-0025
Jul. 24, 2019 (EM) 006645669-0026

(Continued)
Primary Examiner — Wendy L Arminio
Assistant Examiner — Tracey J Bell
(74) *Attorney, Agent, or Firm* — Fross Zelnick Lehrman & Zissu, P.C.; Lawrence E. Apolzon, Esq.

(51) **LOC (13) Cl.** **02-07**

(52) **U.S. Cl.**
USPC **D11/237**

(58) **Field of Classification Search**
USPC D2/627–638, 639, 930, 931, 932, 933, D2/934, 946, 971, 976, 929, 939; D11/200, 201, 202, 203, 204, 206, 212, D11/216, 218, 220, 229, 230, 232, 233, D11/238, 239, 7, 3, 87, 27, 234, 237, 75, D11/40, 93, 231; D8/303, 306, 367, 382, D8/349; D6/546; D3/232, 240, 242, D3/243, 318, 324, 327
CPC A41D 25/008; G02C 3/003; F16G 11/101; F16G 11/106; F16G 11/10; F16G 11/14; A43C 7/00; A44B 6/00; A44B 11/001; A44B 11/005; A44B 11/00; A44B 11/20; A44B 11/003; A44B 11/24; A44B 11/006; A45F 2005/00; A45F 2200/055

(57) **CLAIM**
The ornamental design for a buckle, as shown and described.

See application file for complete search history.

DESCRIPTION
FIG. 1 is a front perspective view of a buckle showing my new design;
FIG. 2 is a front view thereof;
FIG. 3 is a left side view thereof;
FIG. 4 is a right side view thereof;
FIG. 5 is a top view thereof;
FIG. 6 is a bottom view thereof;
FIG. 7 is a front perspective view of the buckle shown in FIG. 1, shown in the environment of a handbag; and,
(Continued)

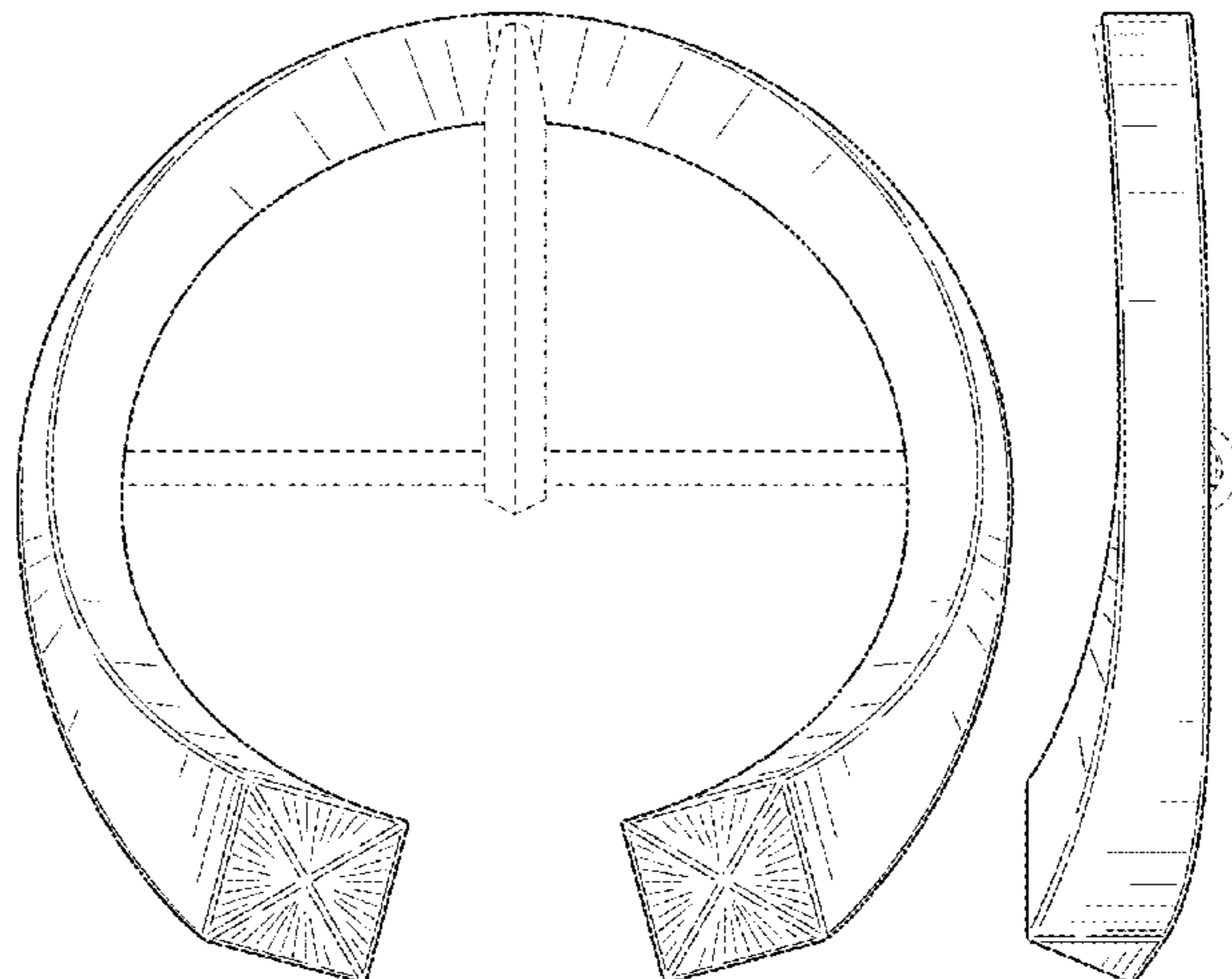


FIG. 8 is a front perspective view of the buckle shown in FIG. 1, shown in the environment of a belt.

The broken lines in the drawings depict portions of the buckle and environmental subject matter that form no part of the claimed design. No claim is made to the back of the design.

1 Claim, 6 Drawing Sheets

(56)

References Cited

U.S. PATENT DOCUMENTS

3,384,936	A *	5/1968	Sokoloff	A44B 11/006 24/191
D294,335	S *	2/1988	Gatsos	D11/43
D334,470	S *	4/1993	Perrin	D3/242
D524,045	S *	7/2006	Handley	D3/243
D539,533	S *	4/2007	Fusi	D3/243
D545,038	S *	6/2007	Weitzman	D2/971
D567,504	S *	4/2008	Galliano	D3/243
D571,550	S *	6/2008	Valle	D2/946
D607,204	S *	1/2010	Gonzalez	D3/243

OTHER PUBLICATIONS

Yale Peabody Museum YPM ANT 268610, May 4, 2018, [online], [site visited Feb. 16, 2021], Retrieved from url:<https://collections.peabody.yale.edu/search/Record/YPM-ANT-268610> (Year: 2018).*
Key chain—published at least earlier than Jul. 24, 2018—Admitted prior art.

* cited by examiner

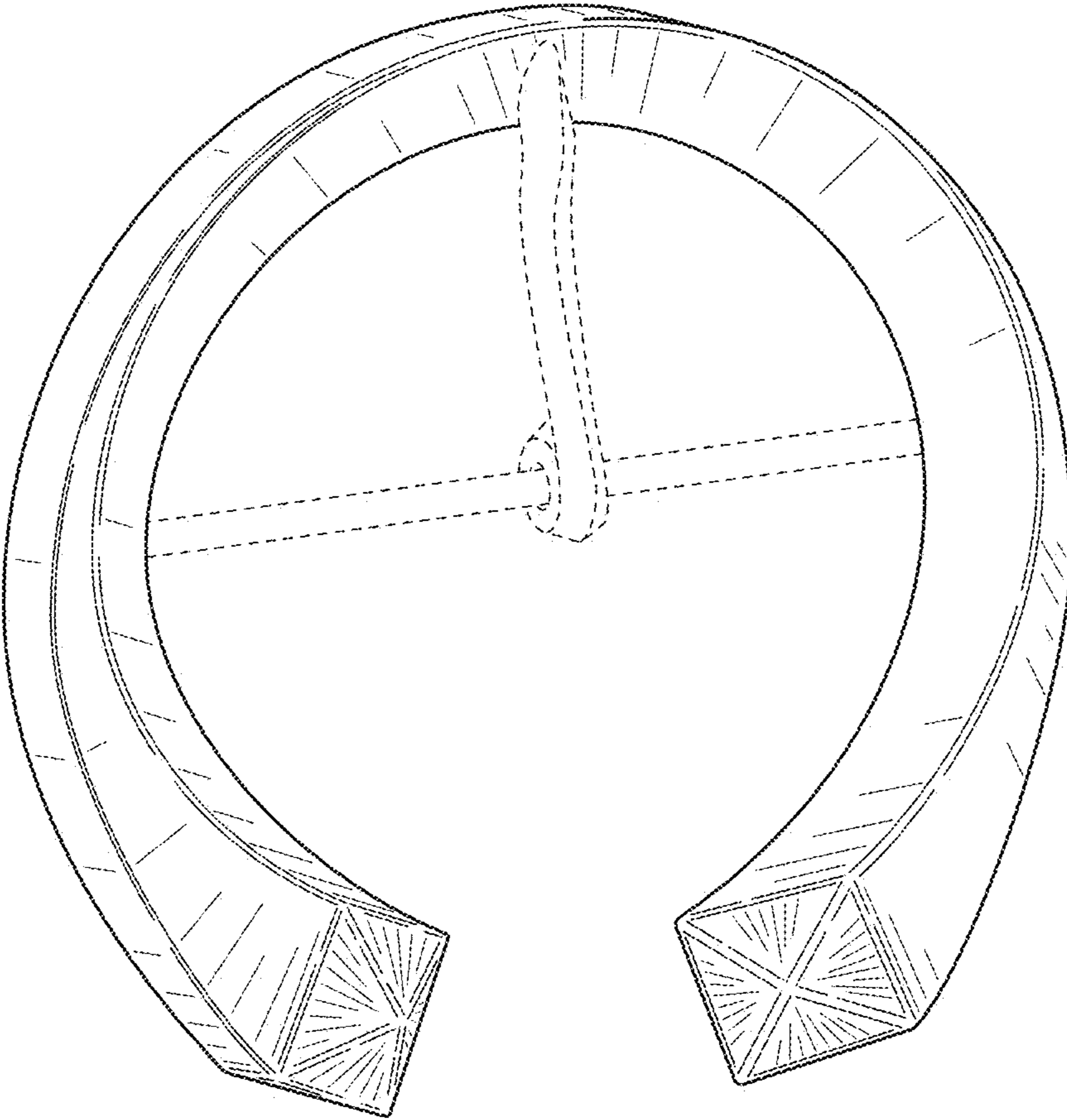


FIG. 1

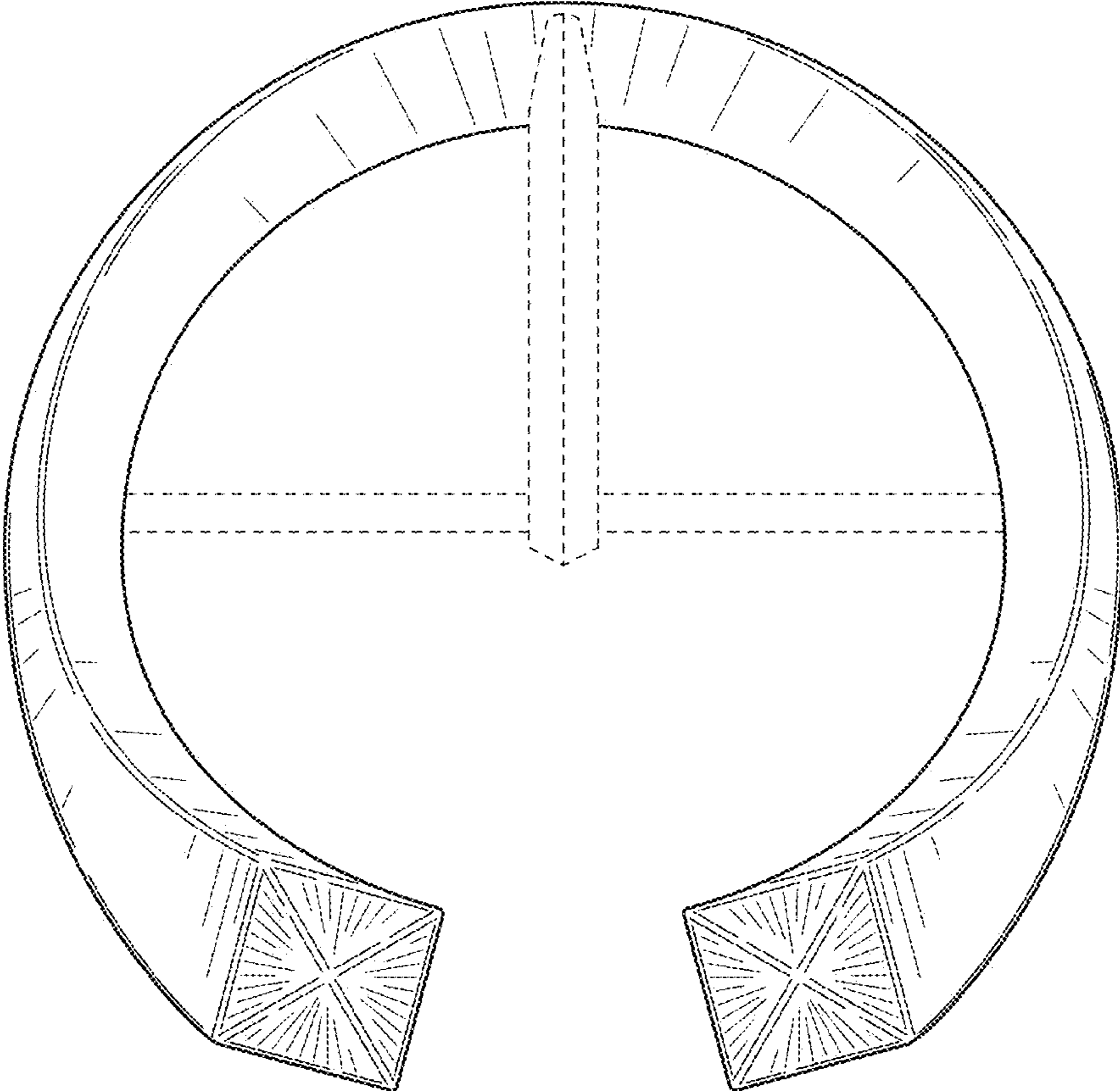


FIG. 2

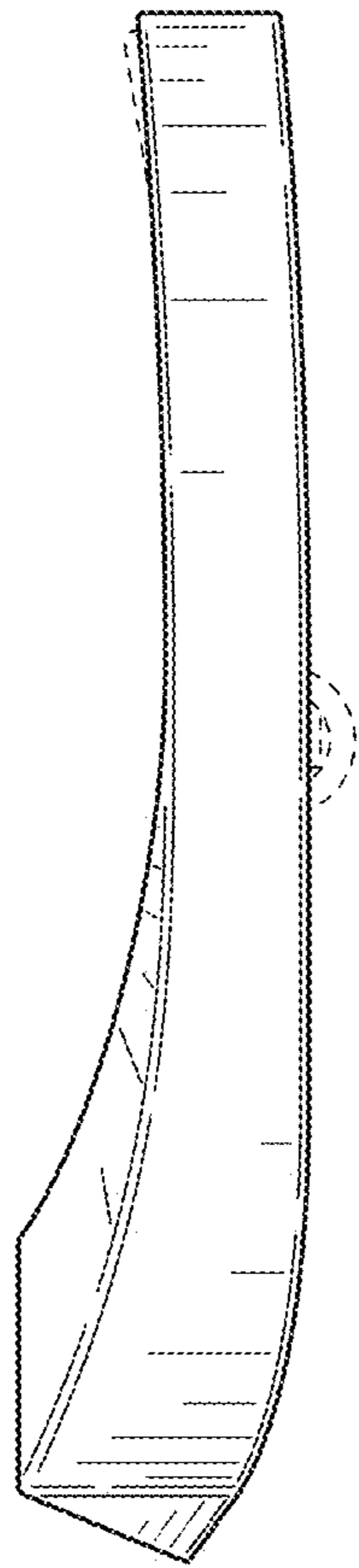


FIG. 3

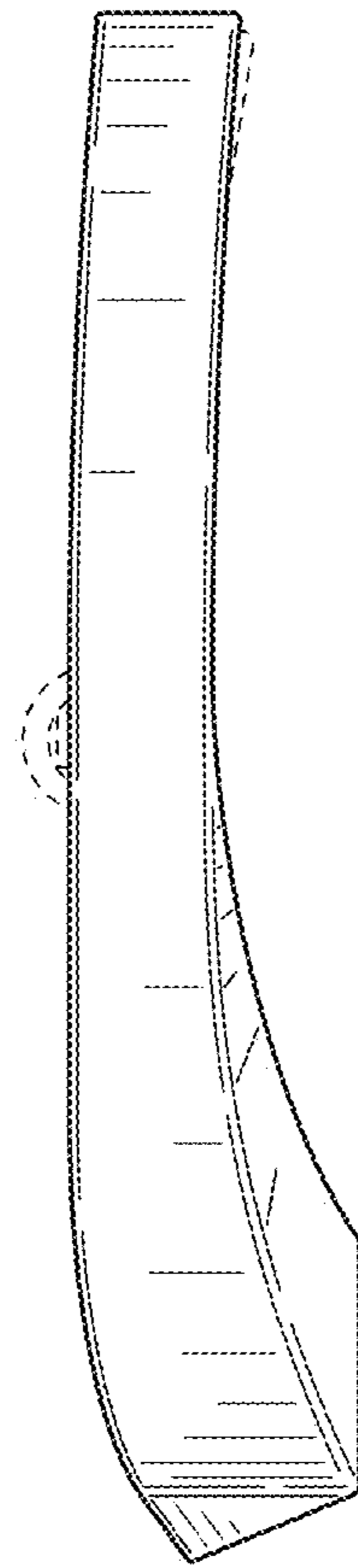


FIG. 4

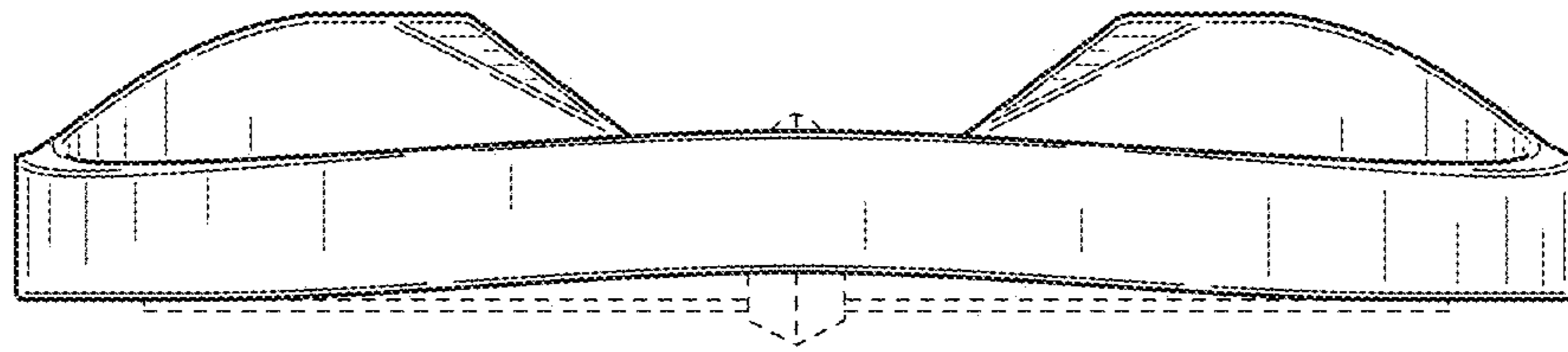


FIG. 5

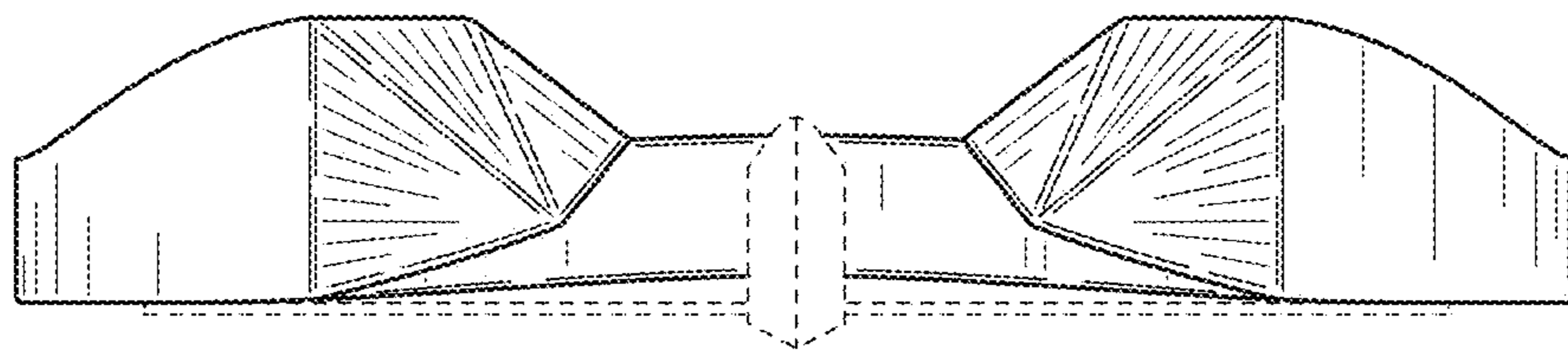


FIG. 6

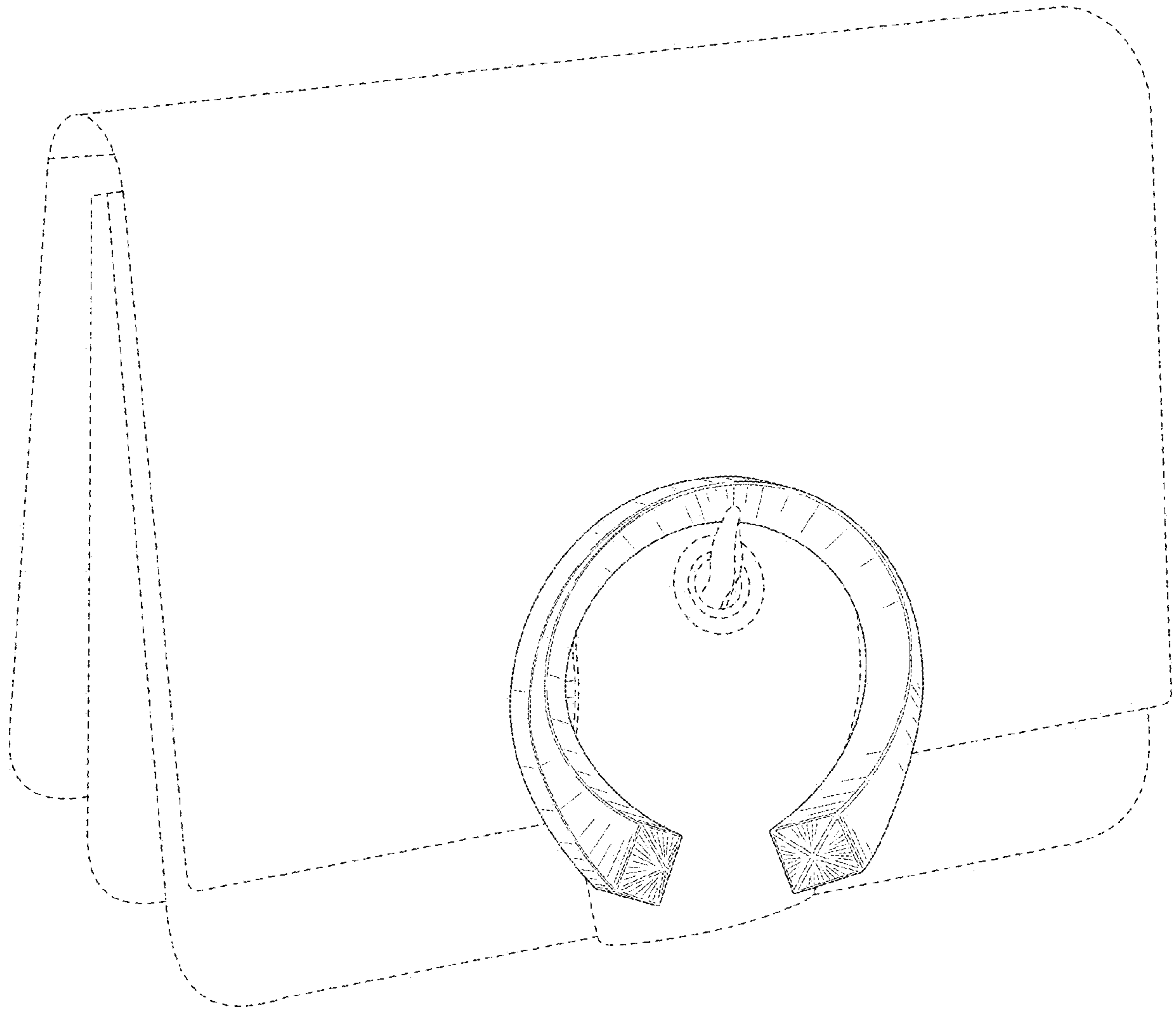


FIG. 7

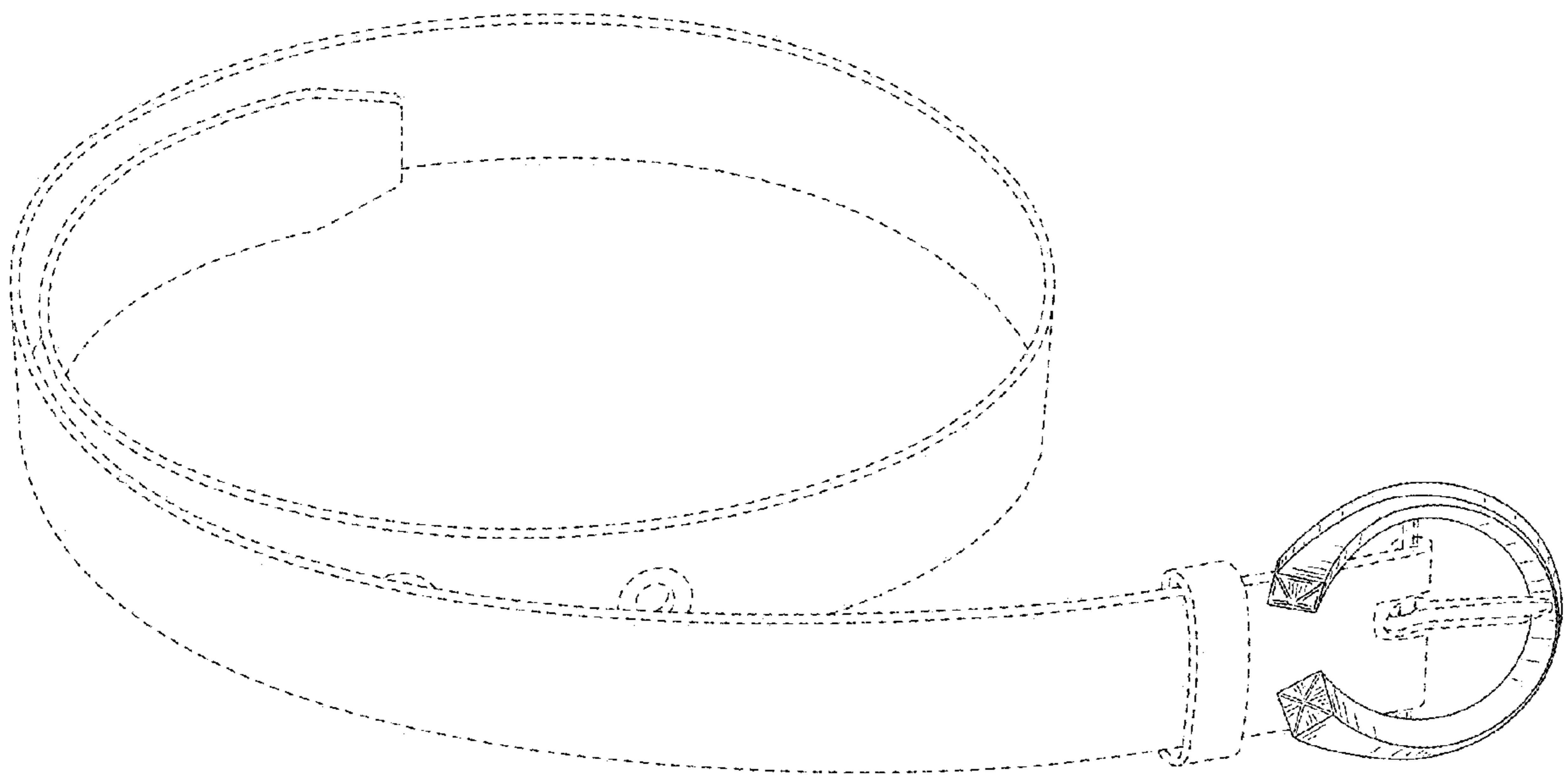


FIG. 8