



US00D937117S

(12) **United States Design Patent**
Sivriere

(10) **Patent No.:** **US D937,117 S**

(45) **Date of Patent:** **** Nov. 30, 2021**

(54) **ARTICLE OF JEWELRY**

A44C 7/009; A44C 1/00; A44C 15/001;
A44C 15/0035; A44C 17/02

(71) Applicant: **RICHEMONT INTERNATIONAL**
SA, Villars-sur-Glâne (FR)

See application file for complete search history.

(72) Inventor: **Stéphanie Sivriere, Geneva (CH)**

(56) **References Cited**

(73) Assignee: **RICHEMONT INTERNATIONAL**
SA, Villars-sur-Glâne (CH)

U.S. PATENT DOCUMENTS

(**) Term: **15 Years**

D252,744 S * 8/1979 Barr D11/92

(21) Appl. No.: **29/734,249**

* cited by examiner

(22) Filed: **May 11, 2020**

Primary Examiner — Llorellys Martinez

(74) *Attorney, Agent, or Firm* — Oliff PLC

(30) **Foreign Application Priority Data**

(57) **CLAIM**

The ornamental design for an article of jewelry, as shown and described.

Mar. 18, 2020 (WO) WIPO93206

(51) **LOC (13) Cl.** **11-01**

(52) **U.S. Cl.**

USPC **D11/43**

(58) **Field of Classification Search**

USPC D11/1, 2, 40-43, 45, 79, 86, 87, 88, 91,
D11/92

CPC A44C 7/00; A44C 7/001; A44C 7/002;
A44C 7/003; A44C 7/004; A44C 7/005;
A44C 7/006; A44C 7/007; A44C 7/008;

DESCRIPTION

FIG. 1 is a front, right-side, top perspective view of the article of jewelry, showing the new design; FIG. 2 is a front elevational view thereof; FIG. 3 is a rear elevational view thereof; FIG. 4 is a top plan view thereof; FIG. 5 is a bottom plan view thereof; FIG. 6 is a left-side elevational thereof; and, FIG. 7 is a right-side elevational view thereof.

1 Claim, 5 Drawing Sheets





FIG. 1



FIG. 2



FIG. 3

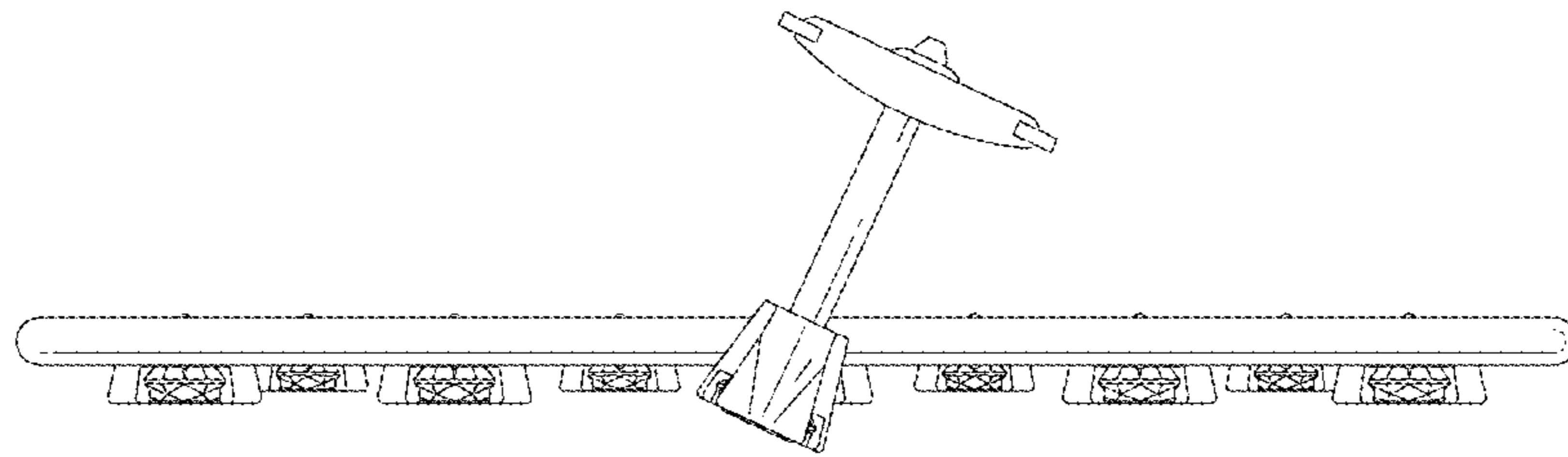


FIG. 4

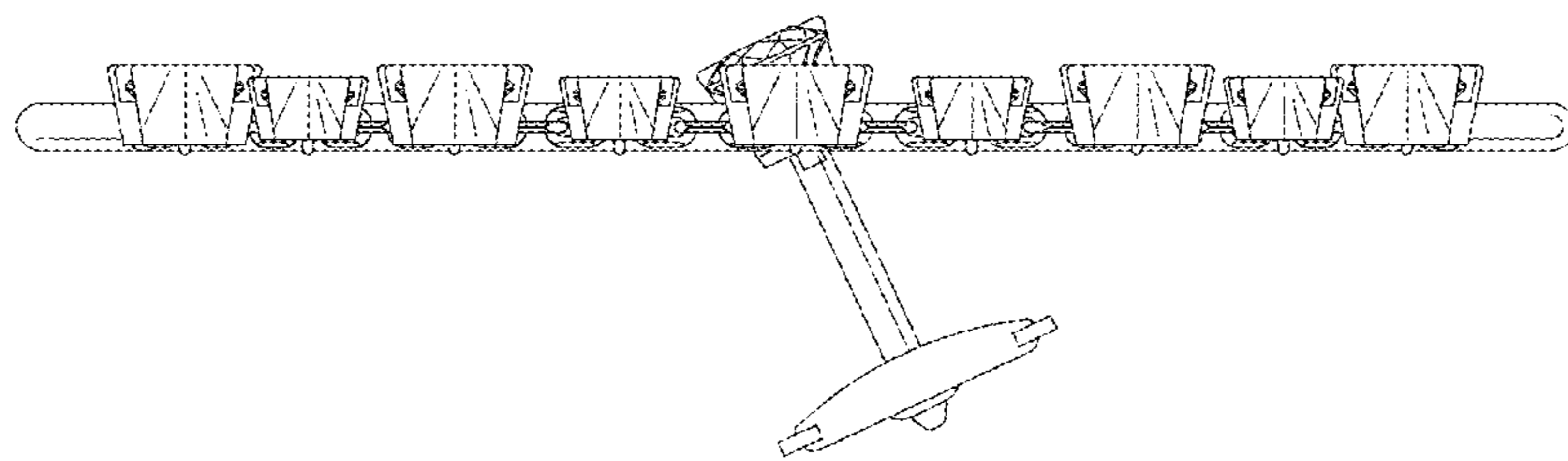


FIG. 5

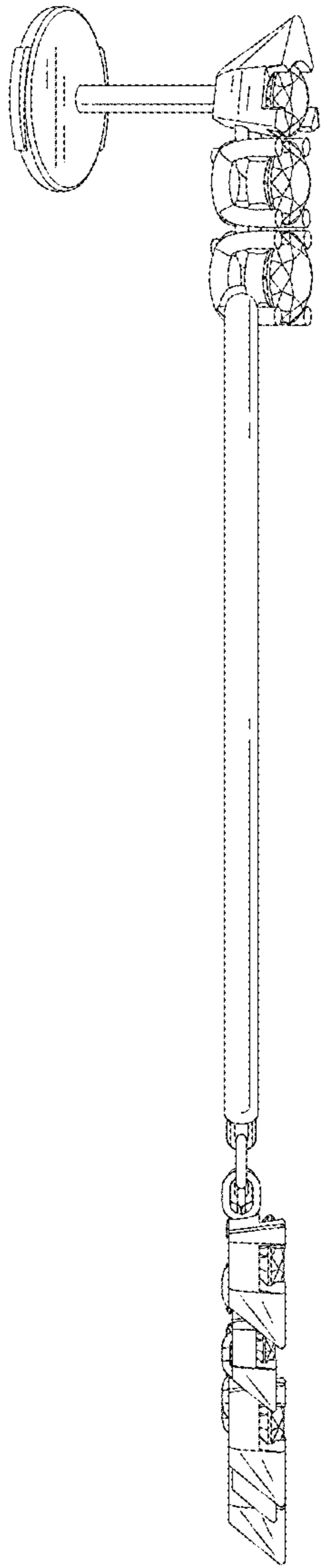


FIG. 6

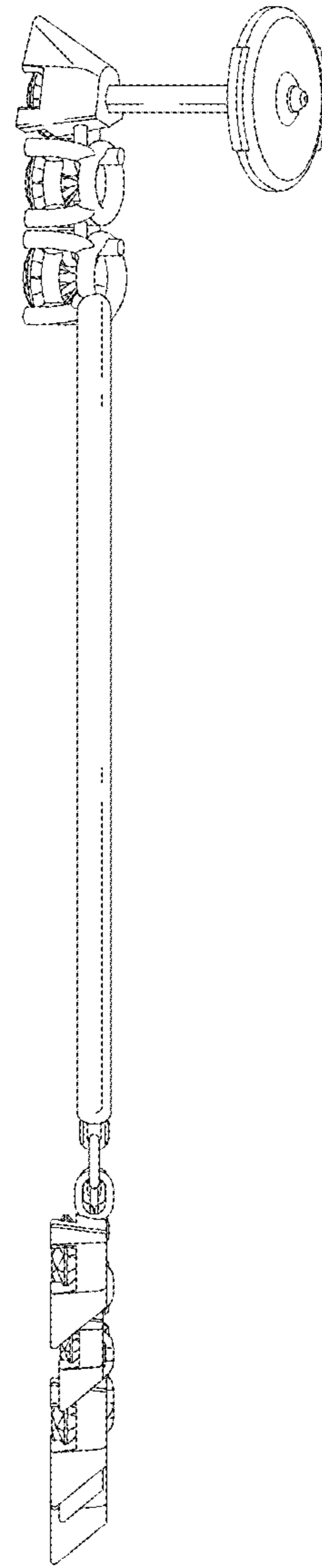


FIG. 7