



US00D937112S

(12) **United States Design Patent** (10) **Patent No.:** **US D937,112 S**
Garipov et al. (45) **Date of Patent:** **** Nov. 30, 2021**

(54) **STREET SIREN**
(71) Applicant: **AJAX SYSTEMS CYPRUS HOLDINGS LTD**, Nicosia (CY)

D778,756 S * 2/2017 Boisse D10/120
D826,757 S * 8/2018 Thornton D10/106.1
D826,760 S 8/2018 Deyaf et al.
D915,921 S * 4/2021 Konotopskyi D10/120
D916,612 S * 4/2021 Konotopskyi D10/116.1

(72) Inventors: **Ilshat Garipov**, Haapsalu (EE);
Oleksandr Konotopskyi, Kyiv (UA)

FOREIGN PATENT DOCUMENTS

(**) Term: **15 Years**

WO DM/044347 6/1998
WO DM/093806 12/2016

(21) Appl. No.: **35/510,063**

* cited by examiner

(22) Filed: **Jul. 24, 2020**

Primary Examiner — George D. Kirschbaum

(80) **Hague Agreement Data**

(57) **CLAIM**

Int. Filing Date: **Jul. 24, 2020**
Int. Reg. No.: **DM/209578**
Int. Reg. Date: **Jul. 24, 2020**
Int. Reg. Pub. Date: **Aug. 14, 2020**

The ornamental design for a street siren, as shown and described.

(51) **LOC (13) Cl.** **10-05**

DESCRIPTION

(52) **U.S. Cl.**
USPC **D10/120**

(58) **Field of Classification Search**
USPC D10/116.1, 120, 106.1, 106.5
See application file for complete search history.

- 1. Street siren
- 1.1 : Front
- 1.2 : Back
- 1.3 : Perspective
- 1.4 : Top
- 1.5 : Bottom

Reproduction **1.1** is a front view; reproduction **1.2** is a back view; reproduction **1.3** is a perspective view; reproduction **1.4** is a top view; reproduction **1.5** is a bottom view.

(56) **References Cited**

U.S. PATENT DOCUMENTS

D382,221 S 8/1997 Chen
D757,584 S * 5/2016 Pusey D10/106.5

1 Claim, 5 Drawing Sheets



1.1



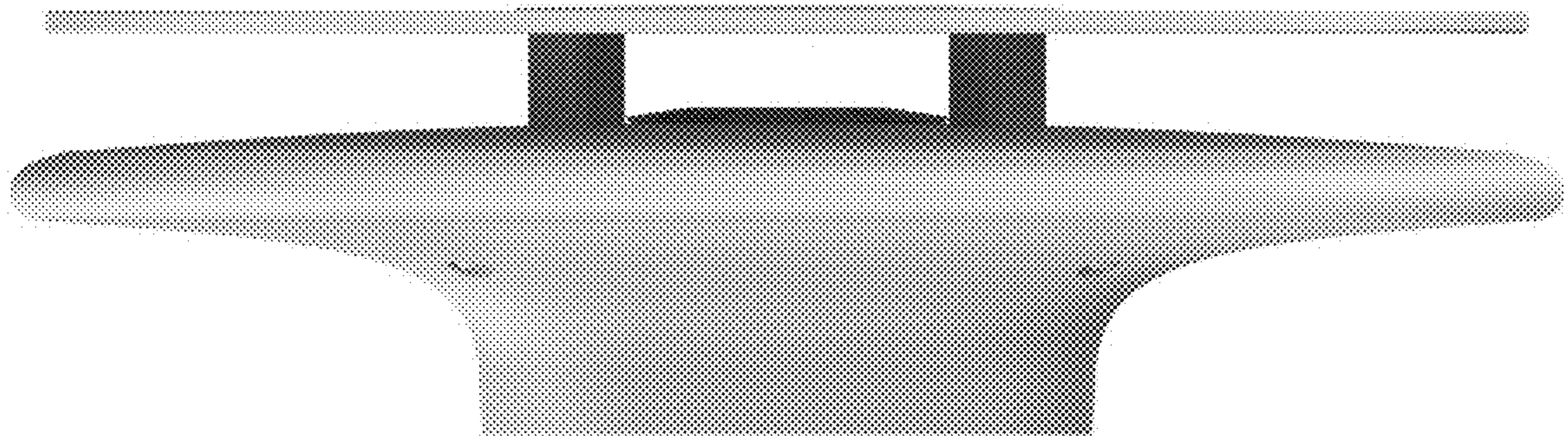
1.2



1.3



1.4



1.5

