



US00D937110S

(12) **United States Design Patent**
Cha

(10) **Patent No.:** **US D937,110 S**

(45) **Date of Patent:** **** Nov. 30, 2021**

(54) **BODY COMPOSITION ANALYZER**

(71) Applicant: **InBody Co., Ltd.**, Seoul (KR)

(72) Inventor: **Ki Chul Cha**, Seoul (KR)

(73) Assignee: **INBODY CO., LTD.**, Seoul (KR)

(**) Term: **15 Years**

(21) Appl. No.: **29/707,136**

(22) Filed: **Sep. 26, 2019**

(30) **Foreign Application Priority Data**

Mar. 27, 2019 (KR) 30-2019-0014067

(51) **LOC (13) Cl.** **10-04**

(52) **U.S. Cl.**
USPC **D10/94**

(58) **Field of Classification Search**

USPC D10/93, 94

CPC G01G 21/28; G01G 21/283; G01G 21/286;

G01G 21/30; G01G 23/37; G01G

23/3728; G01G 23/3735; G01G 19/44;

G01G 19/445; G01G 19/46; G01G 19/48;

G01G 19/50; G01G 21/44

See application file for complete search history.

(56) **References Cited**

U.S. PATENT DOCUMENTS

D377,784 S * 2/1997 Wilson D10/93

D378,082 S * 2/1997 Wilson D10/93

D417,440 S * 12/1999 Wilson D10/93

D480,655 S * 10/2003 Medugorac D10/91

D503,120 S * 3/2005 Sato D10/93

* cited by examiner

Primary Examiner — Antoine Duval Davis

(74) *Attorney, Agent, or Firm* — Dorsey & Whitney LLP

(57) **CLAIM**

I claim the ornamental design for a body composition analyzer, as shown and described.

DESCRIPTION

FIG. 1 is a front isometric view of a body composition analyzer;

FIG. 2 is a front elevation view thereof;

FIG. 3 is a rear elevation view thereof;

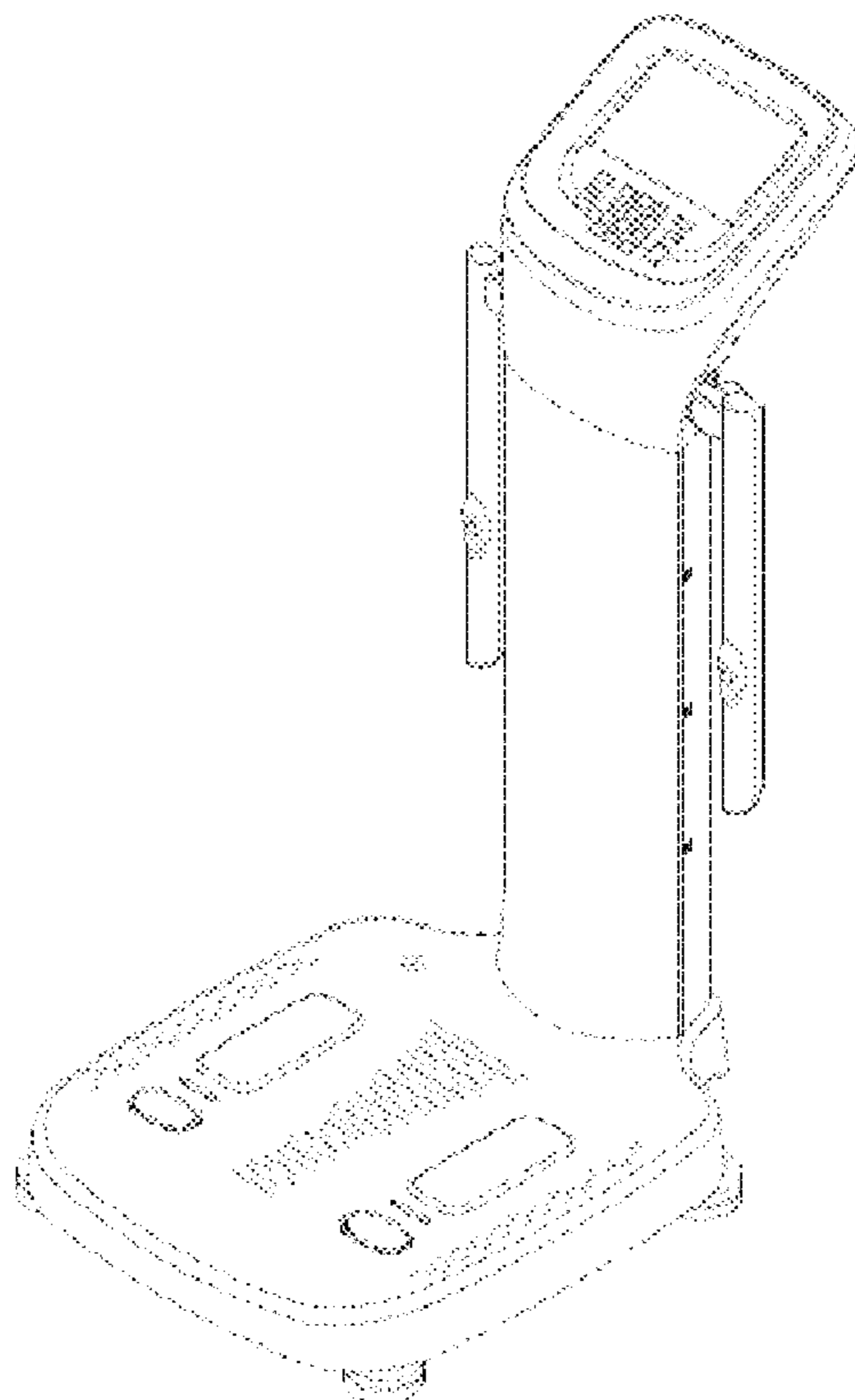
FIG. 4 is a left side elevation view thereof, the right side elevation view being a mirror image thereof;

FIG. 5 is a top plan view thereof; and,

FIG. 6 is a bottom plan view thereof.

The broken lines in the drawings are for the purpose of illustrating portions of the body composition analyzer that form no part of the claimed design.

1 Claim, 6 Drawing Sheets



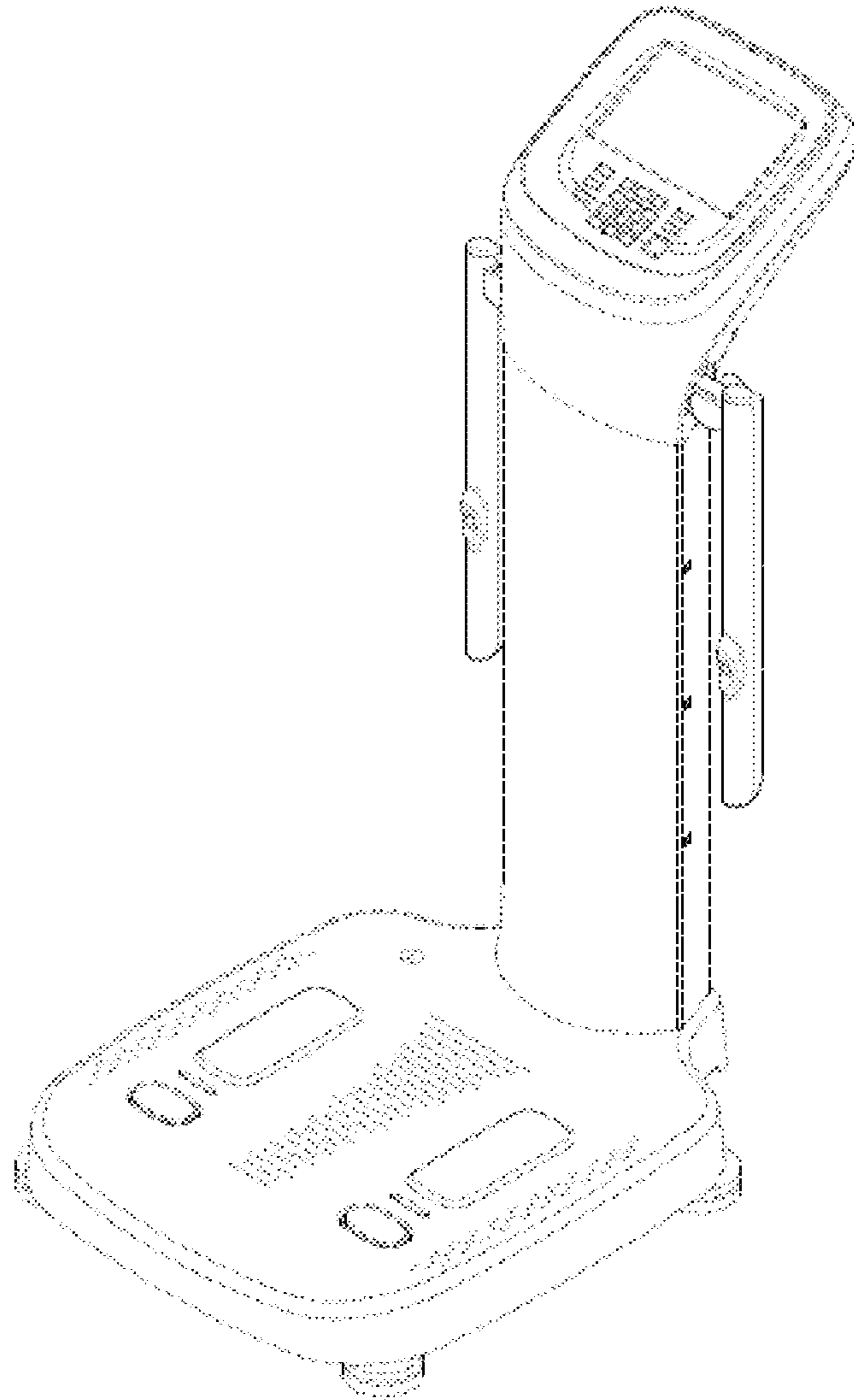


Fig. 1

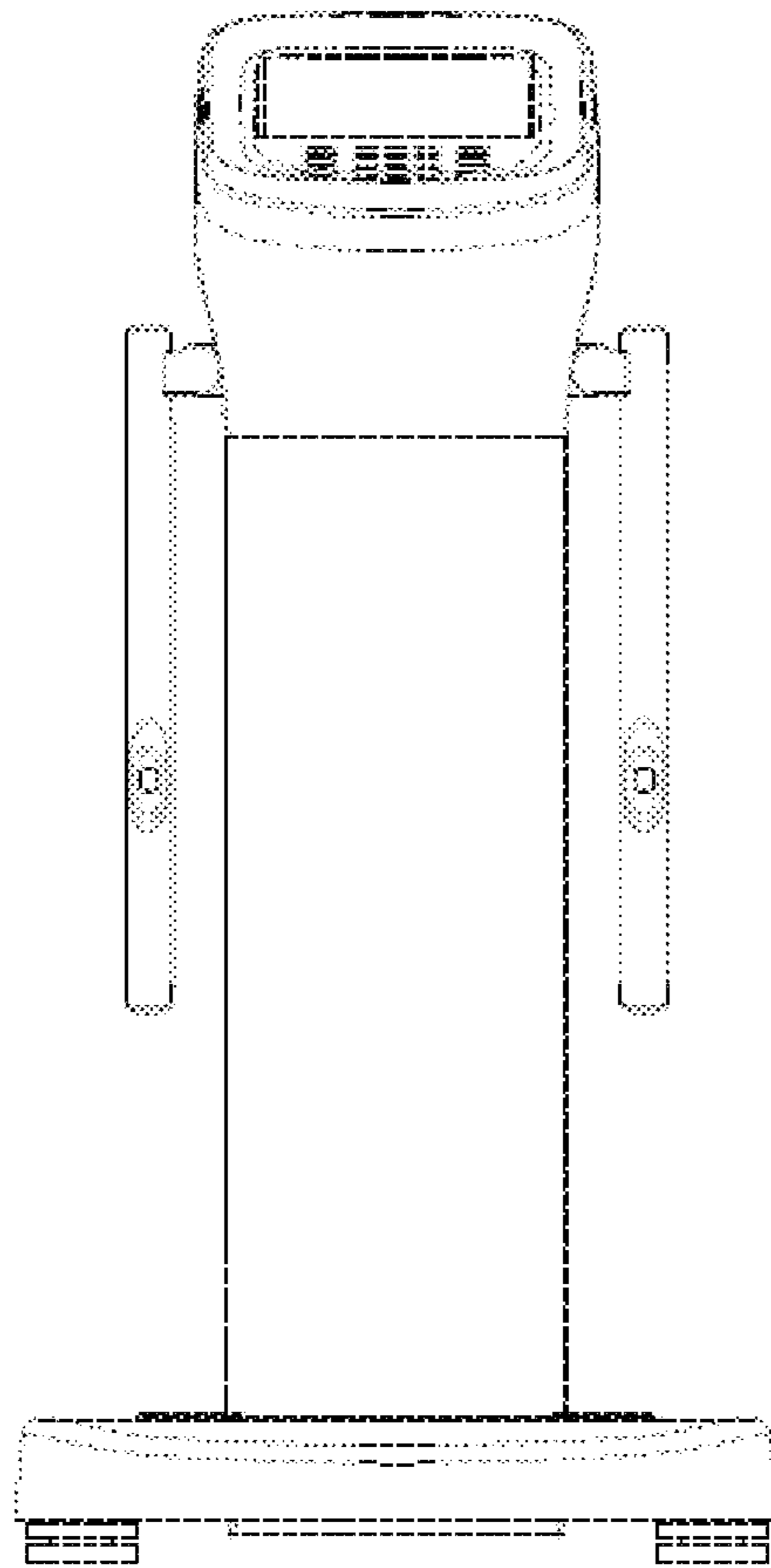


Fig. 2

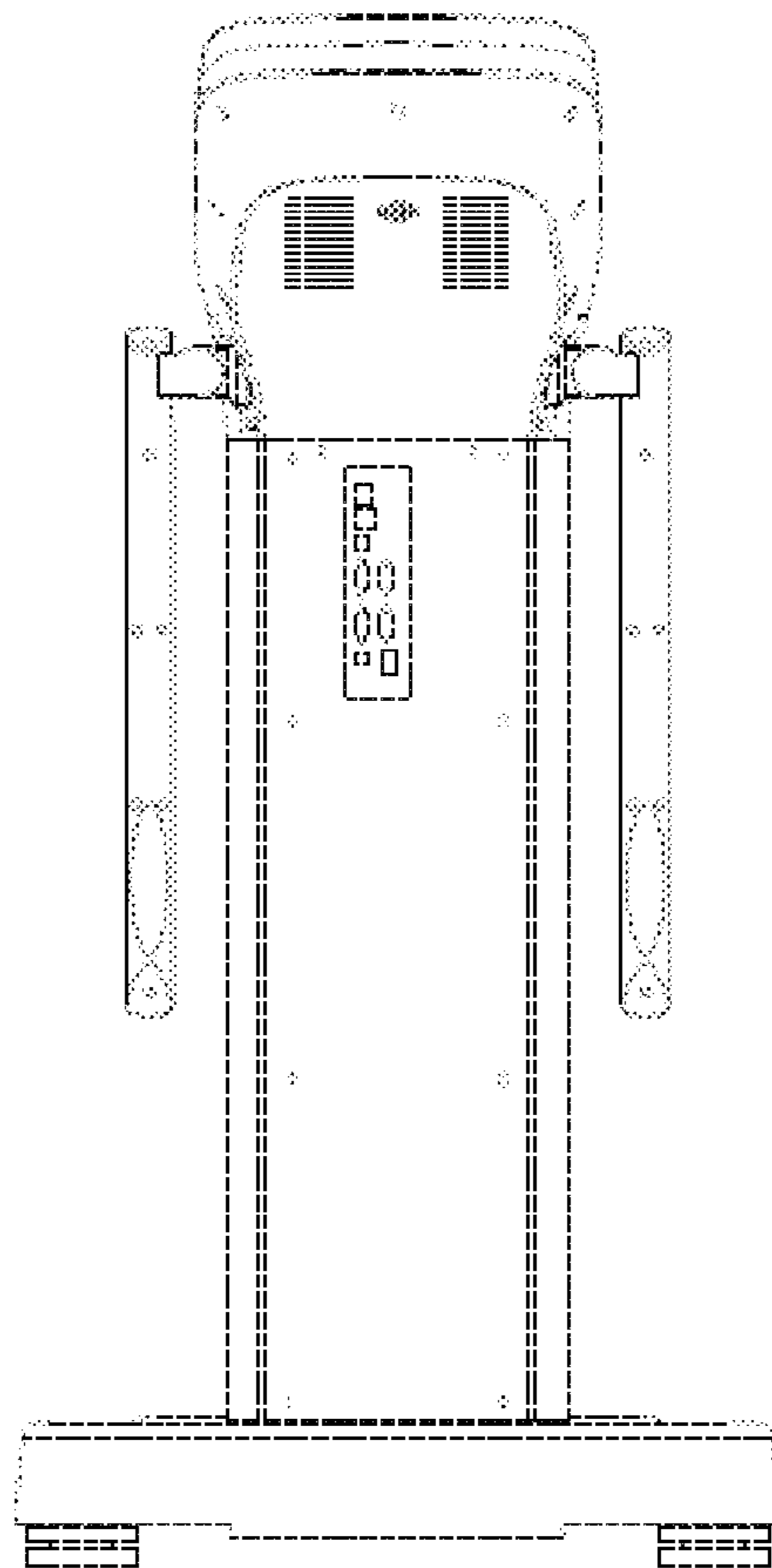


Fig. 3

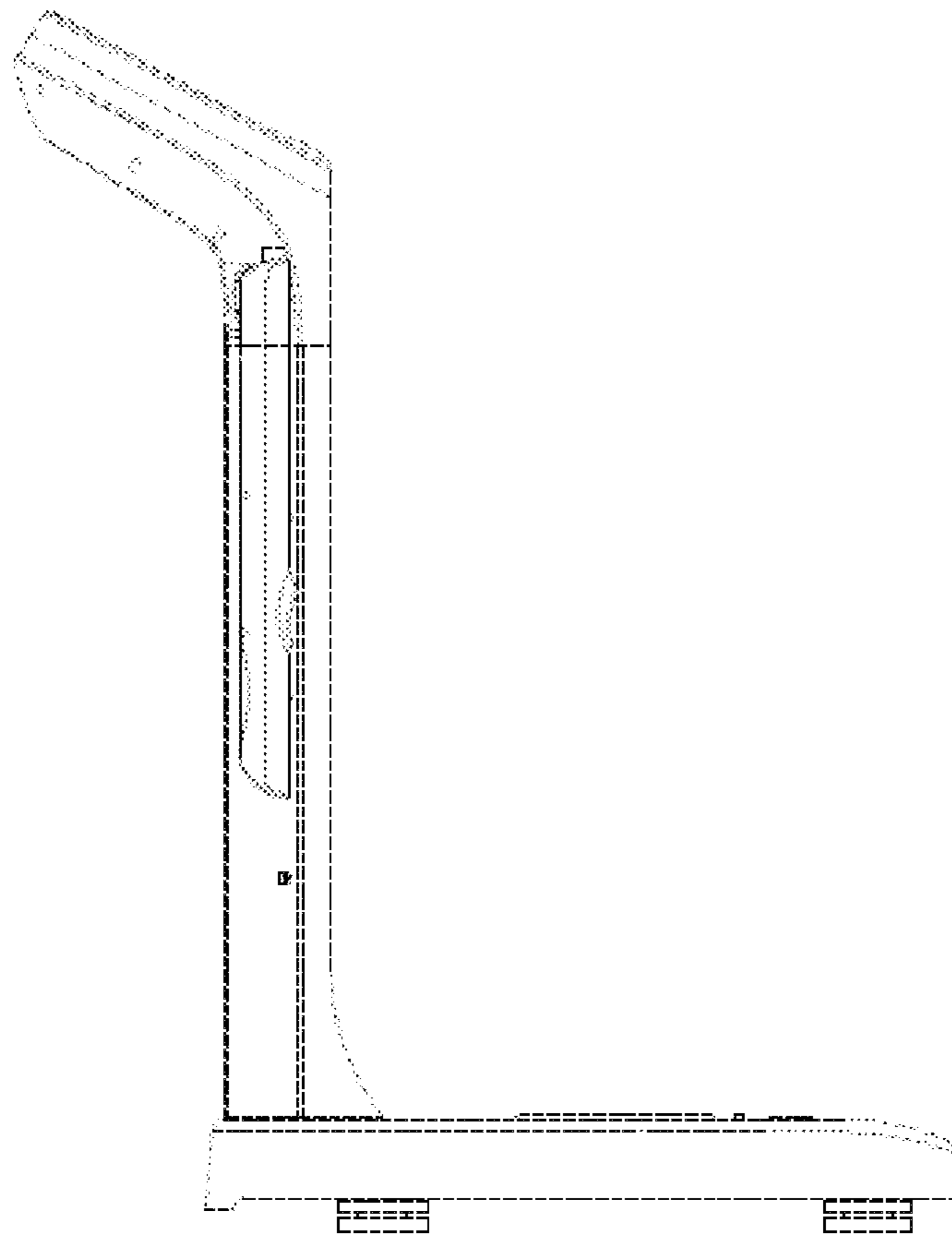


Fig. 4

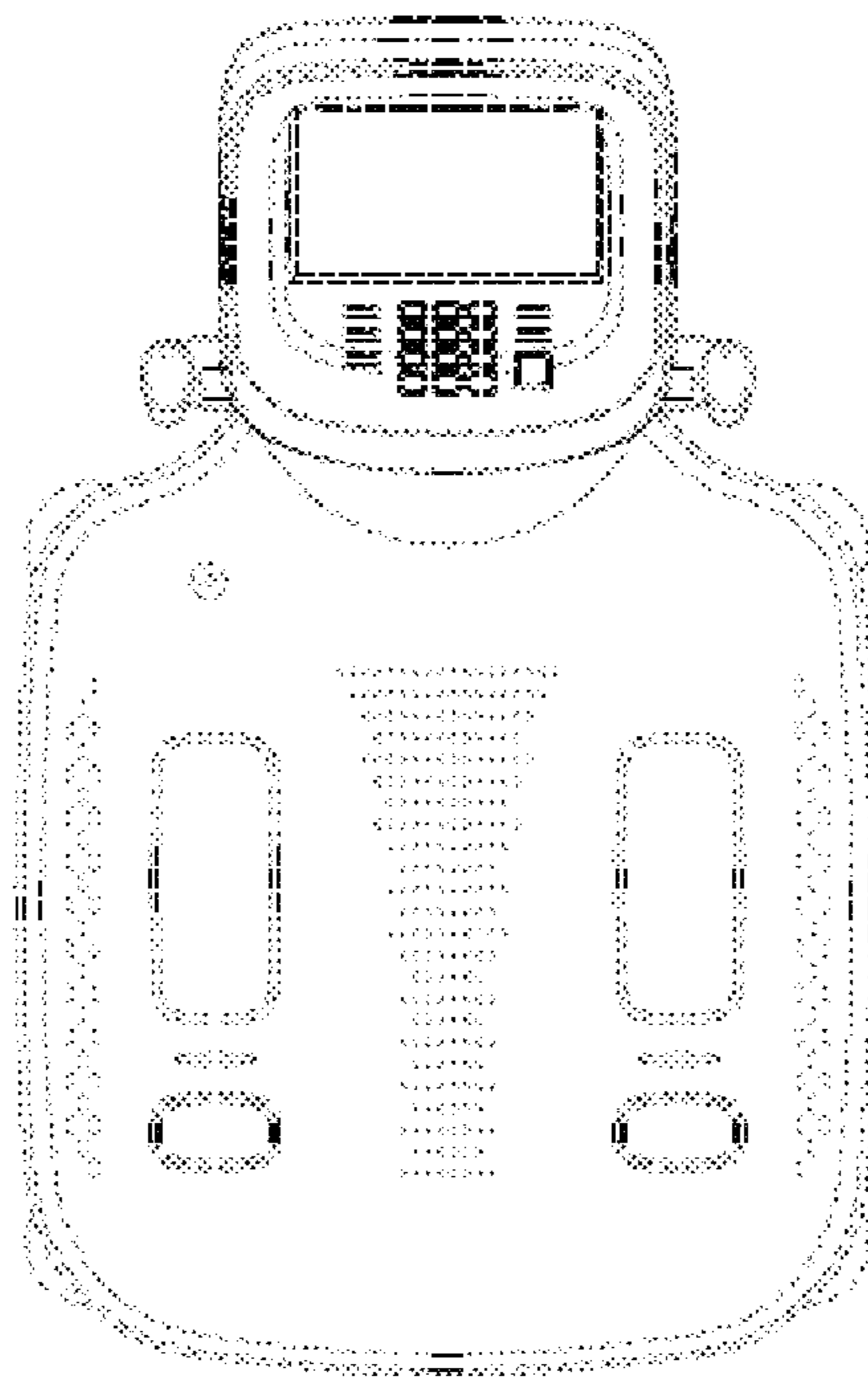


Fig. 5

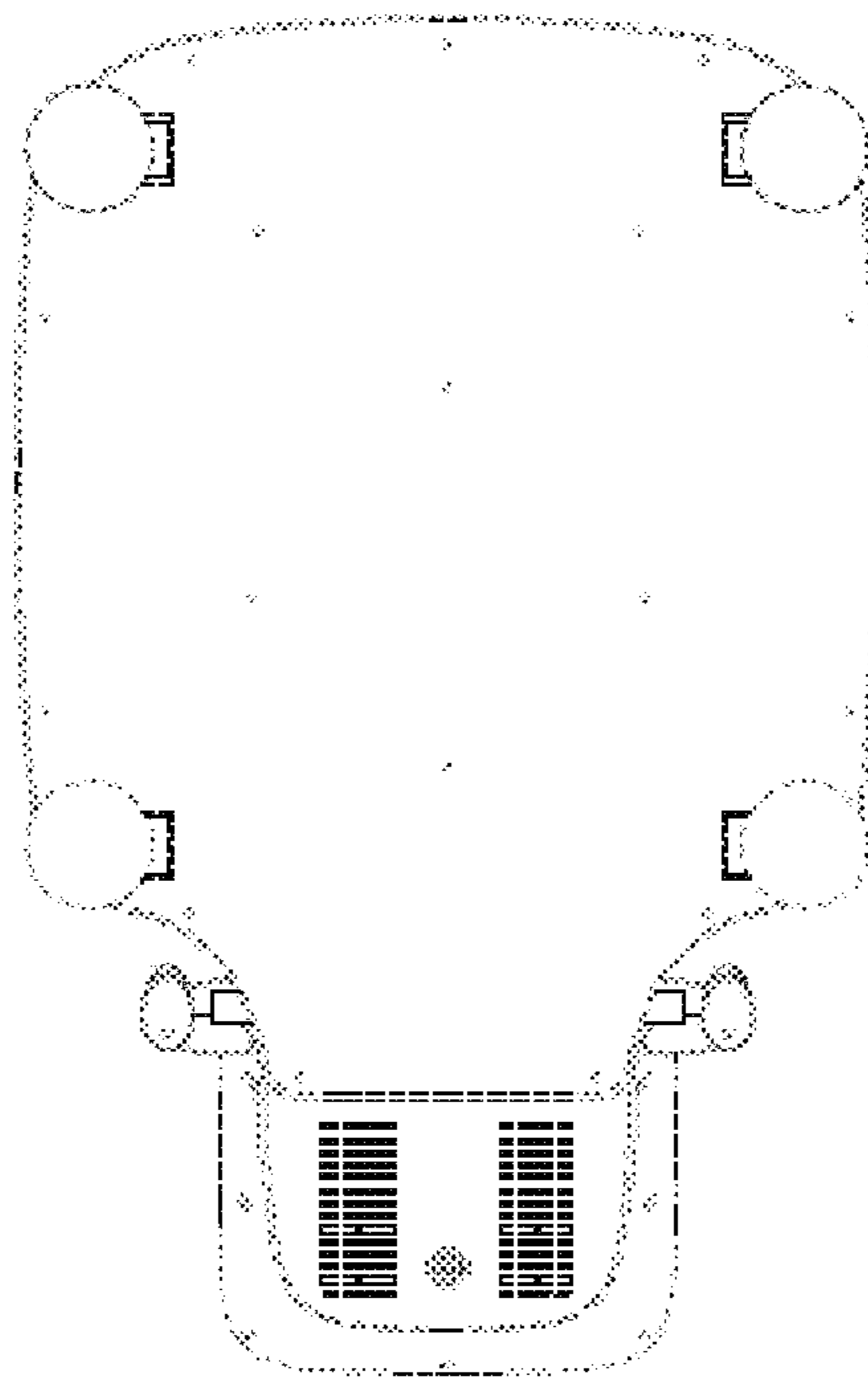


Fig. 6