



US00D937109S

(12) **United States Design Patent** (10) **Patent No.:** **US D937,109 S**  
**Wang** (45) **Date of Patent:** **\*\* \*Nov. 30, 2021**

- (54) **STORAGE BATTERY TESTER** 7,235,977 B2 \* 6/2007 Koran ..... G01R 31/007  
324/426
- (71) Applicant: **AUTEL INTELLIGENT** D625,209 S \* 10/2010 Chen ..... D10/78  
**TECHNOLOGY CORP., LTD.,** D637,507 S \* 5/2011 Silverio ..... D10/78  
Guangdong (CN) D643,759 S \* 8/2011 Bertness ..... D10/77  
D687,727 S \* 8/2013 Kehoe ..... D10/77  
D698,673 S \* 2/2014 Igelmund ..... D10/78  
9,030,173 B2 \* 5/2015 McHardy ..... H01M 10/486  
320/152
- (72) Inventor: **Yongshuai Wang**, Guangdong (CN) D731,908 S \* 6/2015 Huang ..... D10/77  
D837,075 S \* 1/2019 Lu ..... D10/78  
D842,147 S \* 3/2019 Xie ..... D10/78  
10,222,397 B2 \* 3/2019 Salo, III ..... G01R 1/04  
D846,413 S \* 4/2019 Wang ..... D10/78
- (73) Assignee: **AUTEL INTELLIGENT** D731,908 S \* 6/2015 Huang ..... D10/77  
**TECHNOLOGY CORP., LTD.,** D837,075 S \* 1/2019 Lu ..... D10/78  
Guangdong (CN) D842,147 S \* 3/2019 Xie ..... D10/78  
10,222,397 B2 \* 3/2019 Salo, III ..... G01R 1/04  
D846,413 S \* 4/2019 Wang ..... D10/78
- (\*) Notice: This patent is subject to a terminal disclaimer. (Continued)

(\*\*) Term: **15 Years**

(21) Appl. No.: **29/711,362**

(22) Filed: **Oct. 30, 2019**

(30) **Foreign Application Priority Data**

Apr. 30, 2019 (CN) ..... 201930208564.8

(51) **LOC (13) Cl.** ..... **10-04**

(52) **U.S. Cl.**  
USPC ..... **D10/78**

(58) **Field of Classification Search**  
USPC ..... D10/77, 78; D13/103, 119, 120, 162,  
D13/168

CPC .... G01R 31/36; G01R 31/378; G01R 31/385;  
G01R 31/386; G01R 31/388; G01R  
31/389; G01R 31/392; G01R 15/125;  
H01H 9/0235; H01M 10/4285; H01M  
10/48; H01M 2220/00; H01M 2220/10

See application file for complete search history.

(56) **References Cited**

U.S. PATENT DOCUMENTS

D502,416 S \* 3/2005 Chen ..... D10/78  
7,129,706 B2 \* 10/2006 Kalley ..... G01R 31/36  
324/426

OTHER PUBLICATIONS  
Autel MaxiBAS BT608 Car Battery Tester, date first available Jan. 11, 2021; 2 pgs.; [https://www.amazon.com/Autel-Adaptive-Conductance-Automotive-Diagnosis/dp/B08SM2588S/ref=sr\\_1\\_18?dchild=1&keywords=Autel+AULBT608+MaxiBAS+Battery+and+Electrical+System+Diagnostics+Tool&qid=1617394653&sr=8-18#customerReviews](https://www.amazon.com/Autel-Adaptive-Conductance-Automotive-Diagnosis/dp/B08SM2588S/ref=sr_1_18?dchild=1&keywords=Autel+AULBT608+MaxiBAS+Battery+and+Electrical+System+Diagnostics+Tool&qid=1617394653&sr=8-18#customerReviews).\*

(Continued)

Primary Examiner — Selina Sikder

(57) **CLAIM**

I claim the ornamental design for a storage battery tester, as shown and described.

**DESCRIPTION**

FIG. 1 is a front elevational view of a storage battery tester showing our new design;

FIG. 2 is a back elevational view thereof;

FIG. 3 is a left side elevational view thereof;

FIG. 4 is a right side elevational view thereof;

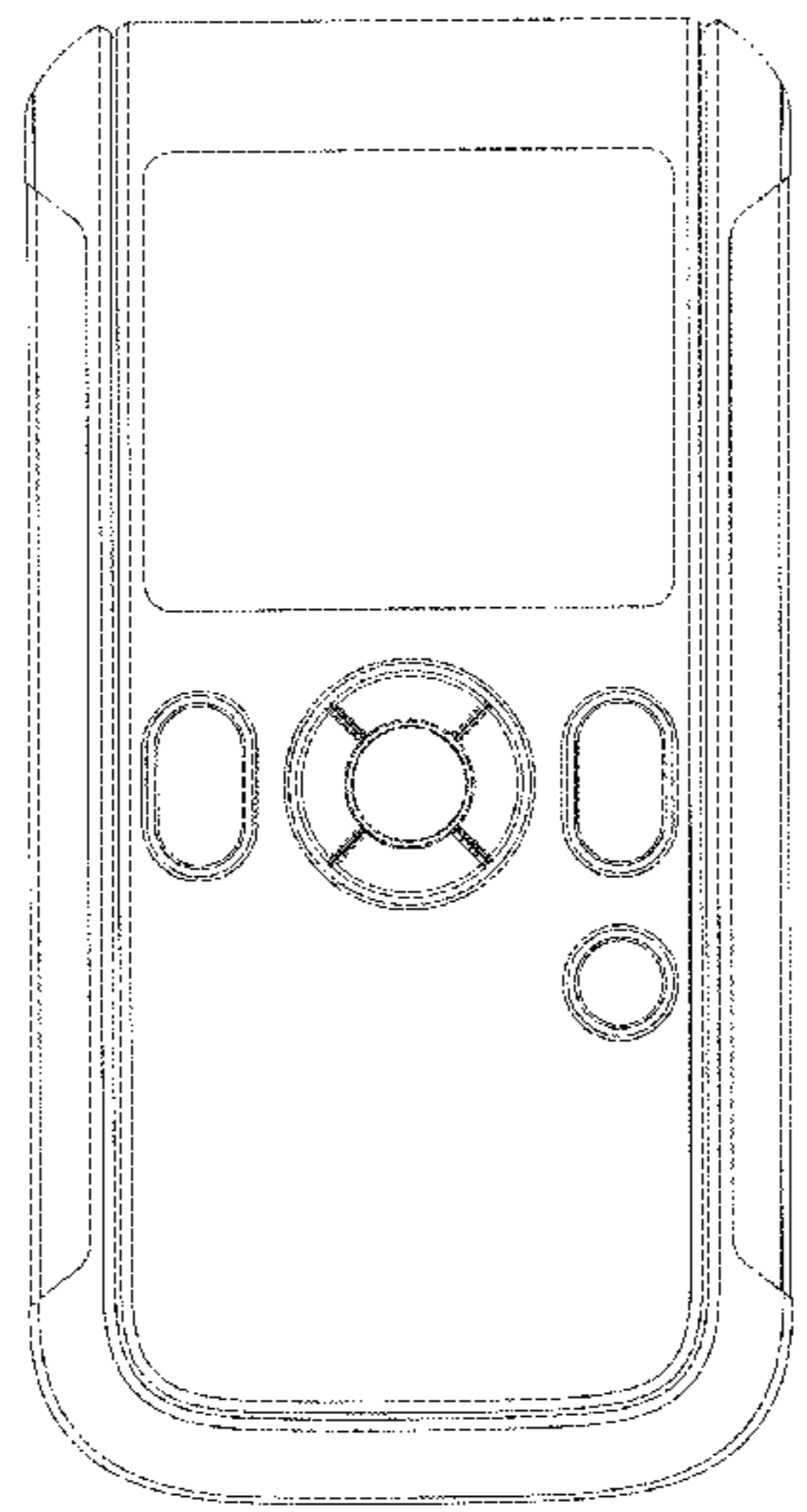
FIG. 5 is a top plan view thereof;

FIG. 6 is a bottom plan view thereof; and,

FIG. 7 is a perspective view thereof.

The broken lines in the drawing depict portion of the storage battery tester that form no part of the claimed design.

**1 Claim, 6 Drawing Sheets**



(56)

**References Cited**

U.S. PATENT DOCUMENTS

D852,073 S \* 6/2019 Zhao ..... D10/78  
 10,473,555 B2 \* 11/2019 Bertness ..... G01M 17/007  
 D880,422 S \* 4/2020 Frigo ..... D13/119  
 D890,617 S \* 7/2020 Mimouni ..... D10/78  
 D903,515 S \* 12/2020 Zhao ..... D10/78  
 D909,218 S \* 2/2021 Choi ..... D10/78  
 2003/0128036 A1 \* 7/2003 Henningson ..... G01R 31/58  
 324/426  
 2011/0069961 A1 \* 3/2011 Hudson ..... H04B 10/11  
 398/115  
 2012/0245871 A1 \* 9/2012 Sheng ..... G01R 31/386  
 702/63  
 2014/0092512 A1 \* 4/2014 Fan ..... G01R 31/3648  
 361/91.1  
 2019/0346492 A1 \* 11/2019 Worones ..... G01R 15/205  
 2019/0383868 A1 \* 12/2019 Russell ..... B60R 16/0234  
 2020/0341066 A1 \* 10/2020 Frigo ..... G06F 3/0412  
 2021/0025921 A1 \* 1/2021 Eibl ..... G01R 19/25

OTHER PUBLICATIONS

Autel MaxiDiag MD806 Pro OBD2 Scanner Tool; dated first available Apr. 18, 2019; 2 pgs.; [https://www.amazon.com/Autel-MD806-Pro-Diagnostic-Diagnosis/dp/B07QWXLJJ3/ref=sr\\_1\\_1?dchild=1&keywords=Autel+MaxiDiag+MD806+Pro+OBD2+Scanner+Full+System+Diagnostic+Tool&qid=1617395447&sr=8-1](https://www.amazon.com/Autel-MD806-Pro-Diagnostic-Diagnosis/dp/B07QWXLJJ3/ref=sr_1_1?dchild=1&keywords=Autel+MaxiDiag+MD806+Pro+OBD2+Scanner+Full+System+Diagnostic+Tool&qid=1617395447&sr=8-1).\*

Mr. Car Tool Battery Tester Wiith Printer; date first available Feb. 1, 2021; 2 pgs.; [https://www.amazon.com/Cranking-Printing-Charging-Automotive-Languages/dp/B08W3YWXL6/ref=sr\\_1\\_11?crid=3E4L0B09MSJFY&dchild=1&keywords=battery+tester+with+printer&qid=1617396456&srefix=Battery+Tester+with+%2Caps%2C156&sr=8-11](https://www.amazon.com/Cranking-Printing-Charging-Automotive-Languages/dp/B08W3YWXL6/ref=sr_1_11?crid=3E4L0B09MSJFY&dchild=1&keywords=battery+tester+with+printer&qid=1617396456&srefix=Battery+Tester+with+%2Caps%2C156&sr=8-11).\*

\* cited by examiner

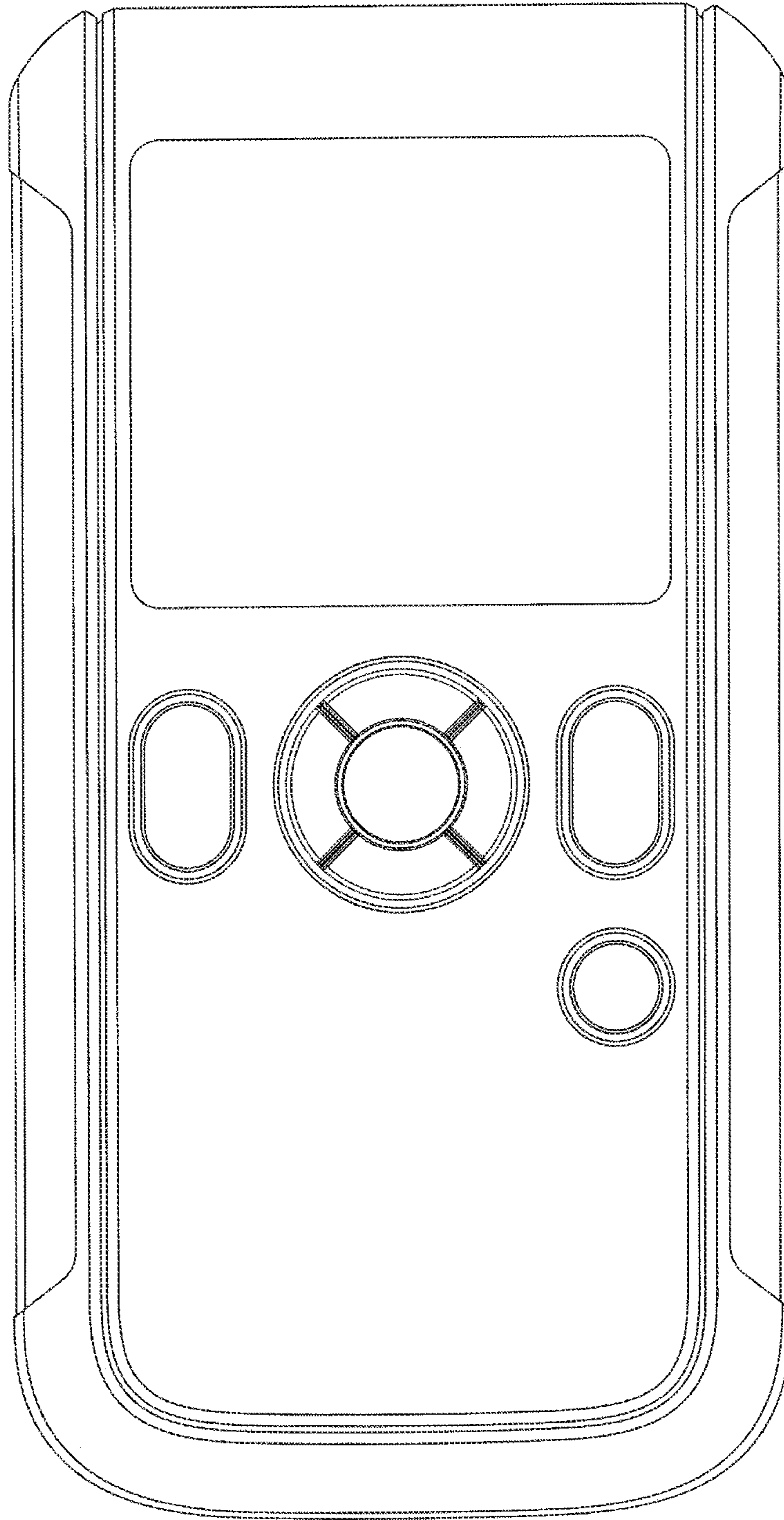


FIG. 1

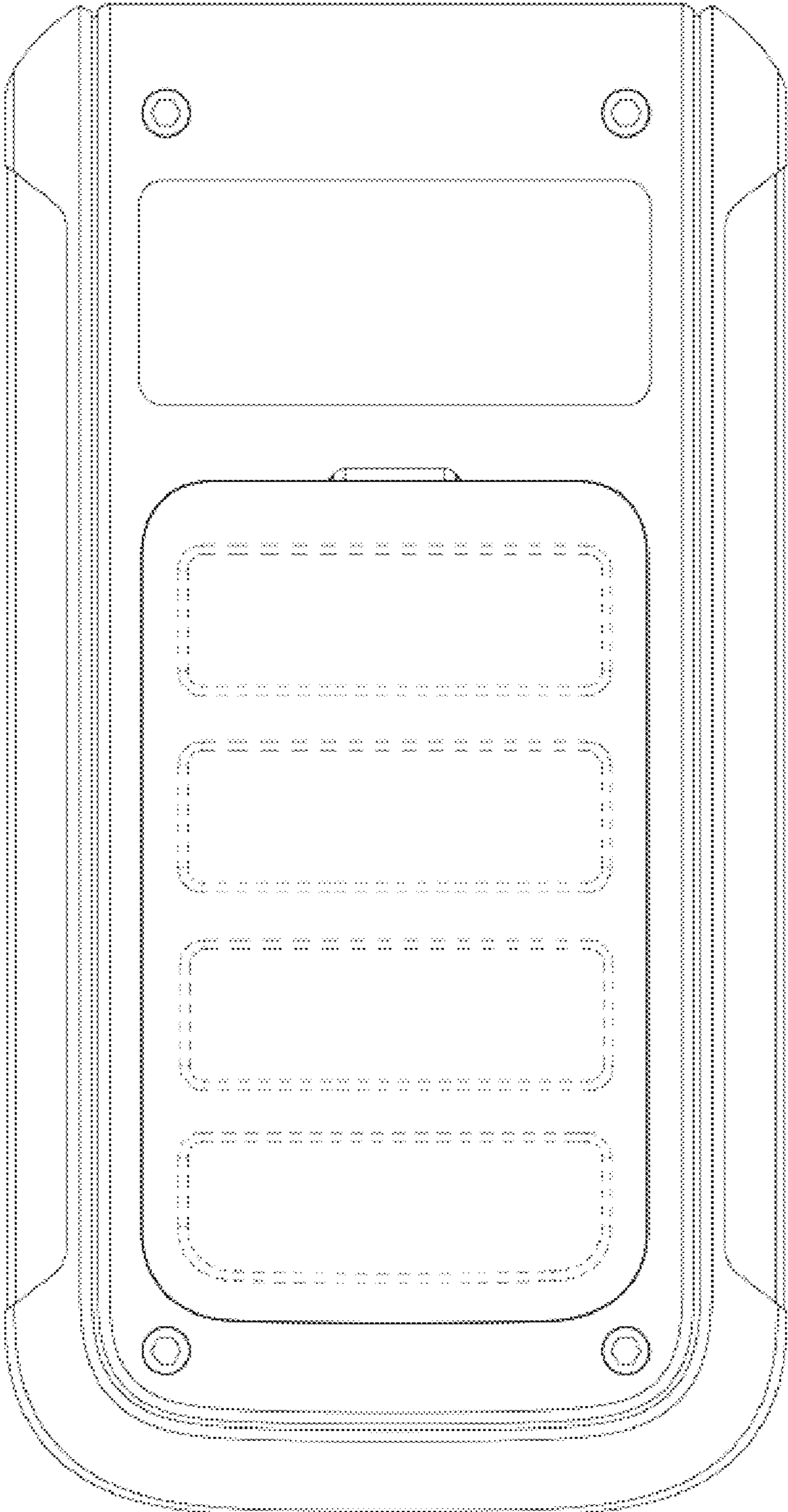


FIG.2

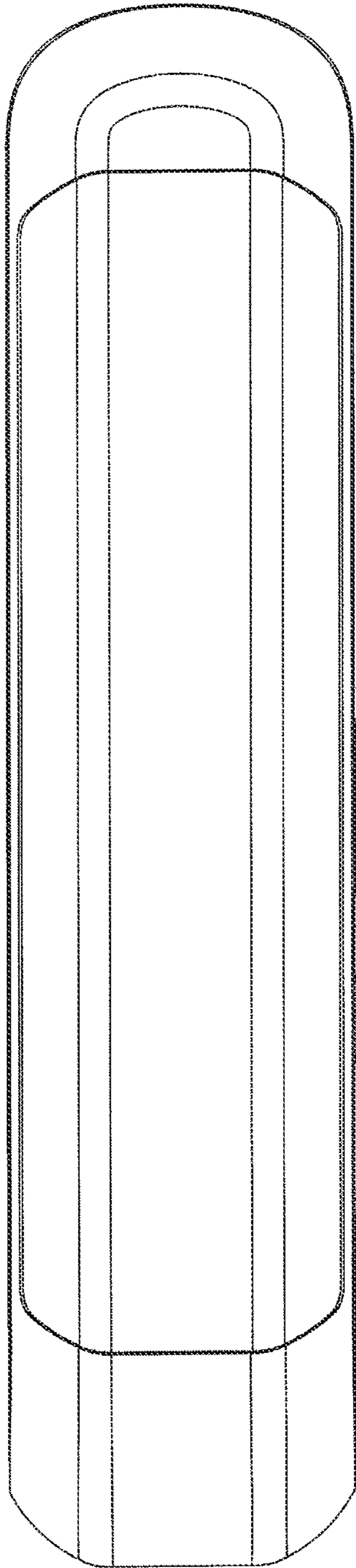


FIG. 3

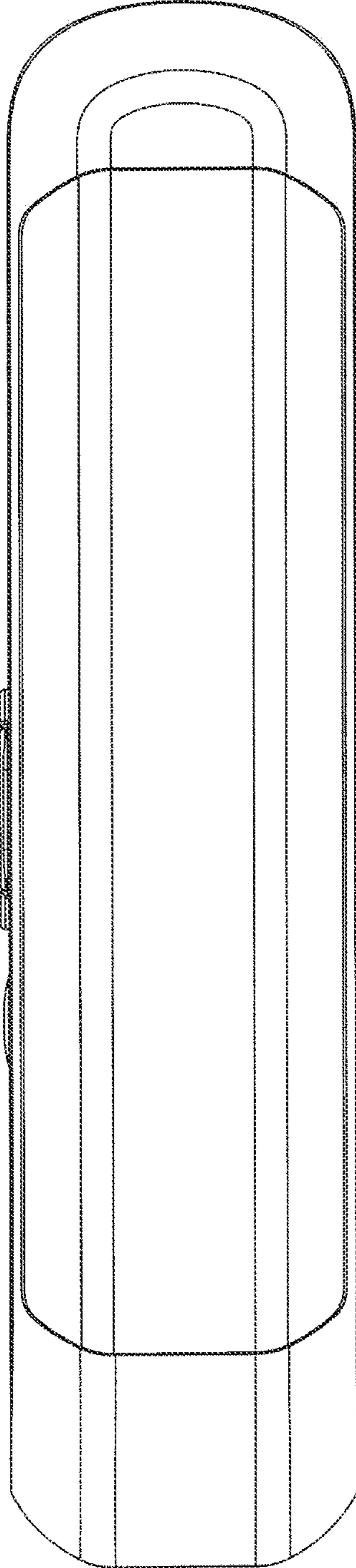


FIG.4

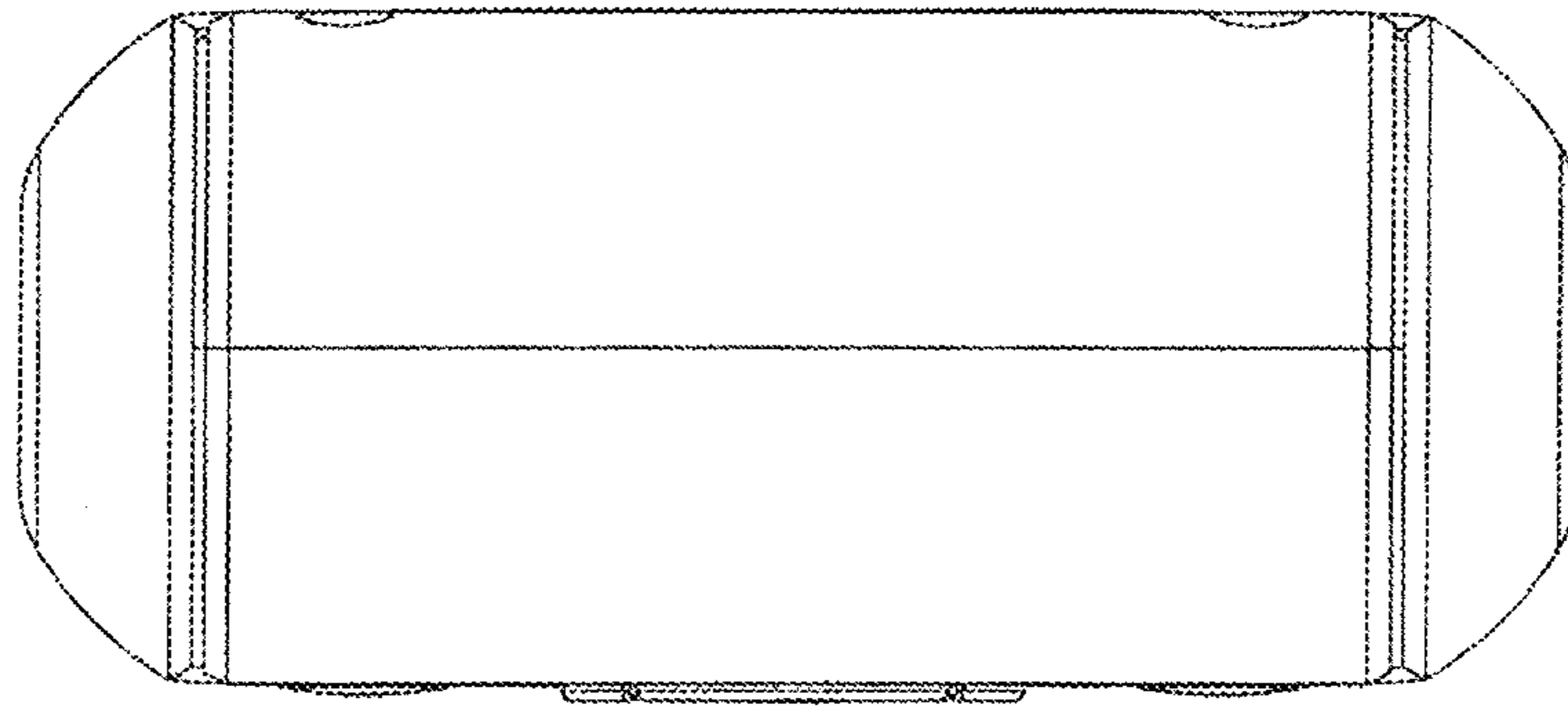


FIG. 5

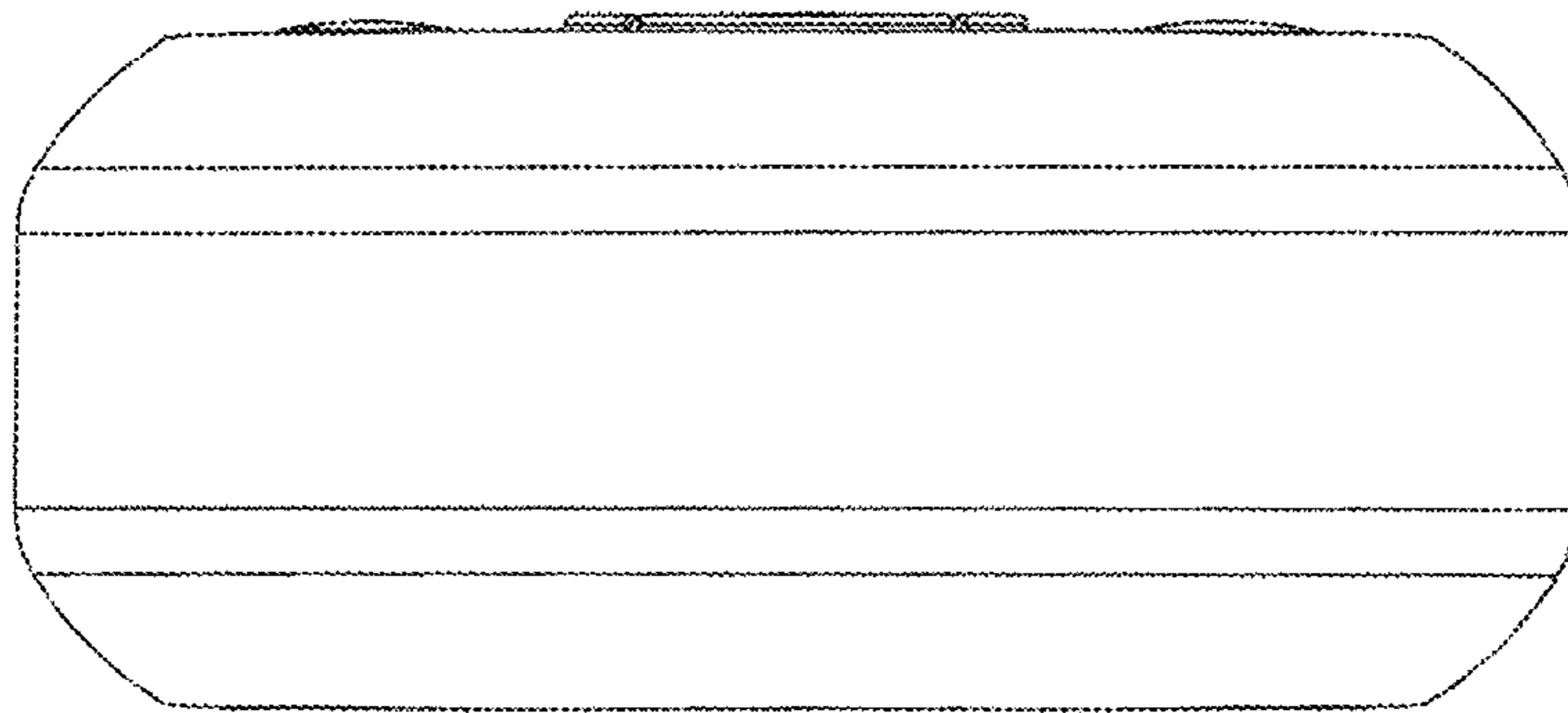


FIG. 6

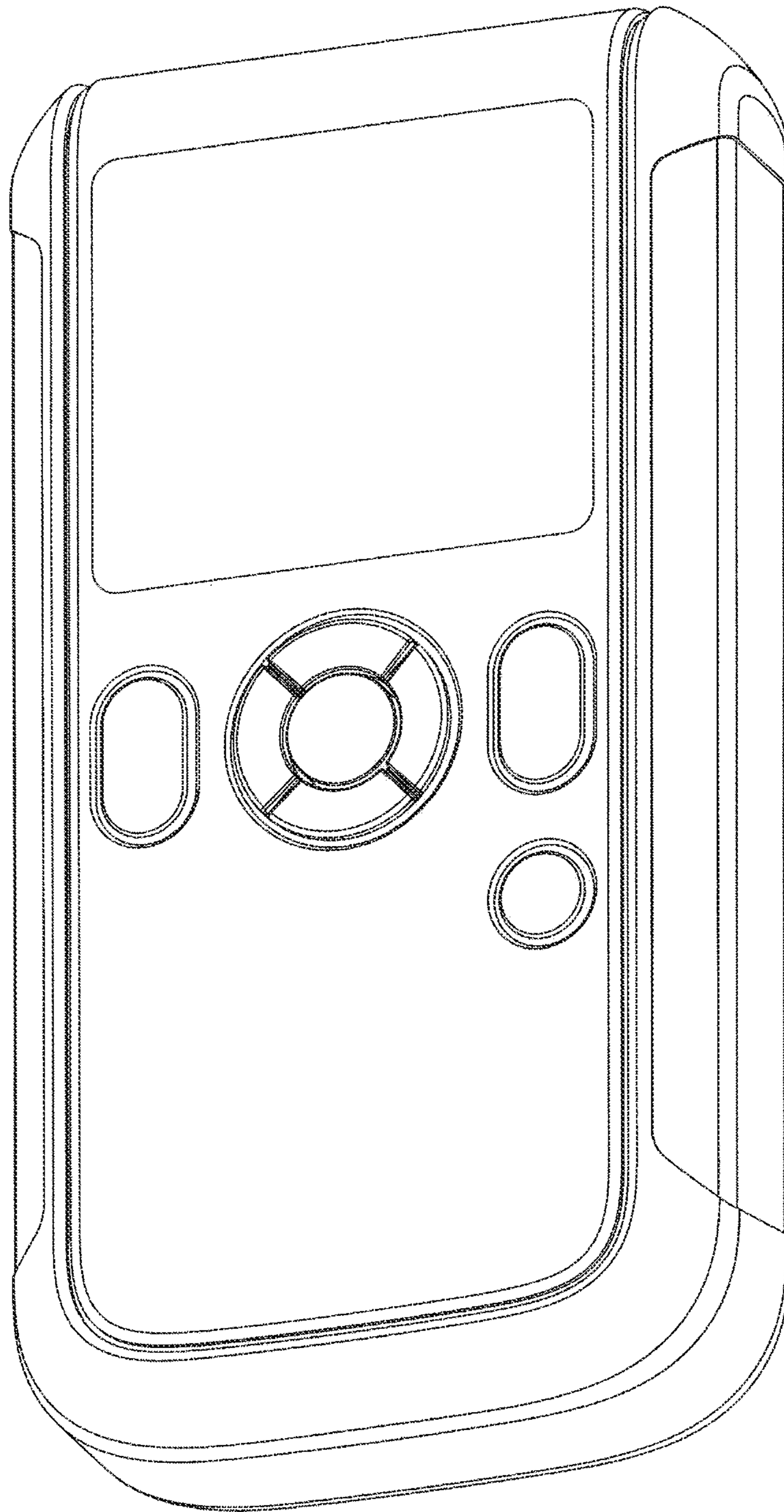


FIG.7