



US00D937108S

(12) **United States Design Patent** (10) **Patent No.:** **US D937,108 S**
Wheaton et al. (45) **Date of Patent:** **** *Nov. 30, 2021**

(54) **TRACKING DEVICE**

(71) Applicant: **Tile, Inc.**, San Mateo, CA (US)

(72) Inventors: **Christopher Sean Wheaton**, San Francisco, CA (US); **Cole Justin Derby**, East Palo Alto, CA (US); **Matthew Edward Kramer**, Los Gatos, CA (US); **Michael George Farley**, Foster City, CA (US)

(73) Assignee: **Tile, Inc.**, San Mateo, CA (US)

(*) Notice: This patent is subject to a terminal disclaimer.

(**) Term: **15 Years**

(21) Appl. No.: **29/727,290**

(22) Filed: **Mar. 10, 2020**

Related U.S. Application Data

(60) Continuation of application No. 29/706,983, filed on Sep. 25, 2019, now Pat. No. Des. 881,048, which is (Continued)

(51) **LOC (13) Cl.** **10-04**

(52) **U.S. Cl.**
USPC **D10/70; D10/106.6**

(58) **Field of Classification Search**
USPC D10/70, 106.9
CPC G08B 13/126; G08B 13/128; G08B 13/14; G08B 13/1427; G08B 13/1409; G08B 13/1436; G08B 13/1445; G08B 13/1463; G08B 13/1472; G08B 13/1481; G08B 13/149; G08B 13/2428; G08B 13/2434; G08B 13/2437; G08B 21/24; G09F 3/18; G09F 3/185; G09F 3/20; G09F 3/201; G09F 3/202; G09F 3/203; G09F 3/204; G09F 3/205; G09F 3/206; G09F 3/207; G09F 3/208; G09F 3/005; A41D 1/02; A44C 5/0015; A44C 5/02; A44C 5/14; A61B 19/44; A61B 2019/446; A61B

71/00; A61B 5/02416; A61B 5/1118; A61B 2/721; A61B 5/002; A61B 5/112; A61B 5/1122; A61B 5/746; A61B 5/6823; A61B 5/72; A61B 5/7445; A61B 5/0022; A61B 5/14532; A63B 71/06; A63B 26/00; A63B 24/0075; A63B 2071/0663; A63B 71/0686; A63B 24/0062; A63B 24/0084; A63B 2024/0068; A63B 2024/0078; A63B 2024/0056; A63B

(Continued)

(56) **References Cited**

U.S. PATENT DOCUMENTS

D723,957 S 3/2015 Evans et al.
9,134,768 B2 9/2015 Yoon

(Continued)

Primary Examiner — Antoine Duval Davis

(74) *Attorney, Agent, or Firm* — Fenwick & West LLP

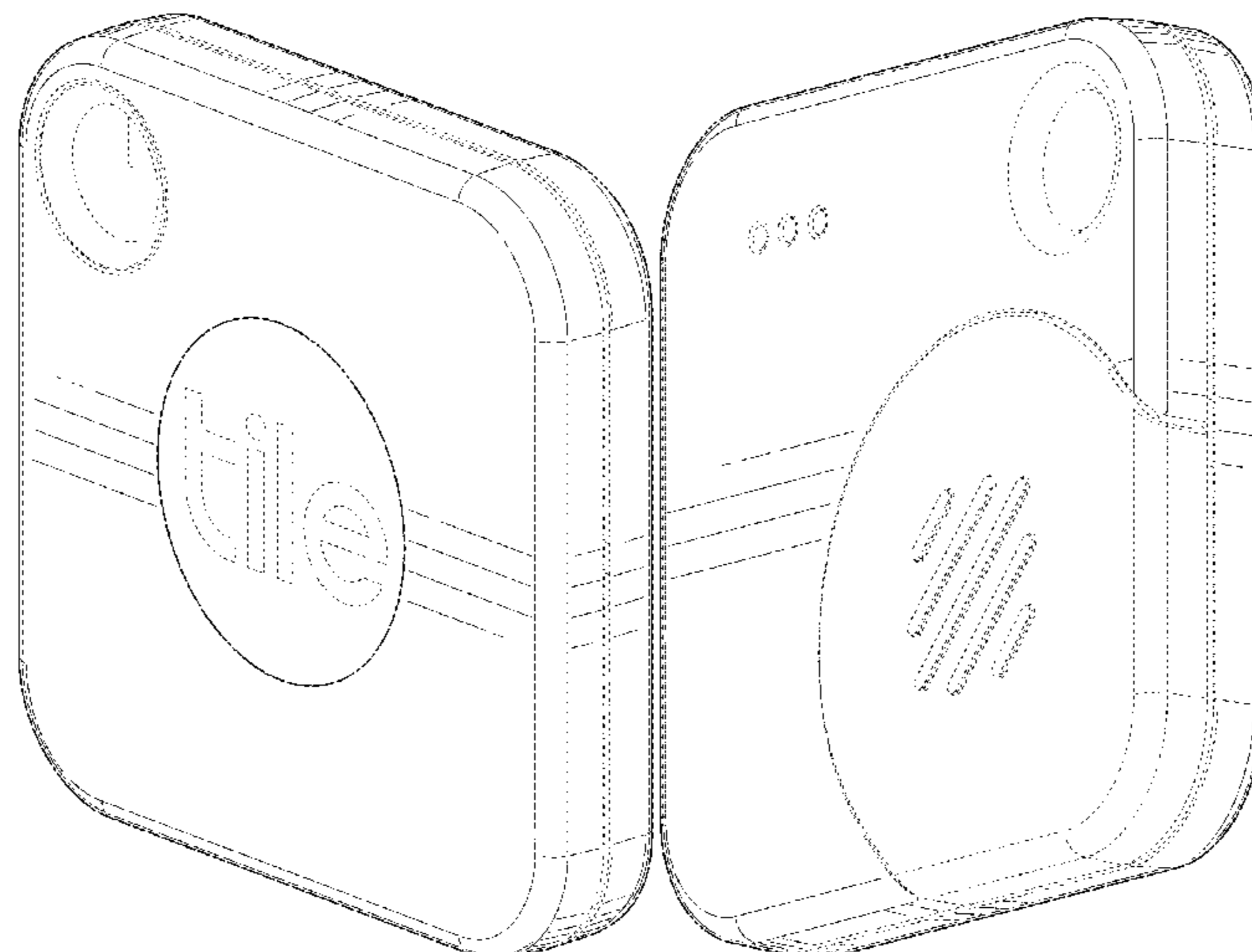
(57) **CLAIM**

The ornamental design for a tracking device, as shown and described.

DESCRIPTION

FIG. 1 is a top, front, and right side perspective view of a tracking device;
FIG. 2 is a bottom, rear, and left side perspective view thereof;
FIG. 3 is a front elevational view thereof;
FIG. 4 is a rear elevational view thereof;
FIG. 5 is a left side elevational view thereof;
FIG. 6 is a right side elevational view thereof;
FIG. 7 is a top plan view thereof; and,
FIG. 8 is a bottom plan view thereof.
The broken lines in the drawings showing portions of the tracking device are included for the purpose of illustrating environmental structure and form no part of the claimed design.

1 Claim, 8 Drawing Sheets



Related U.S. Application Data

a division of application No. 29/656,290, filed on Jul. 11, 2018, now Pat. No. Des. 866,371.

(58) **Field of Classification Search**

CPC 2071/0625; A63B 2071/003; A63B 2071/063; A63B 2071/065; A63B 2071/068; A63B 2071/0675; A63B 2220/40; A63B 2220/803; A63B 2220/12; A63B 2220/20; A63B 2220/22; A63B 2220/30; A63B 2225/50; A63B 2225/02; A63B 2225/06; A63B 2230/75; A63B 2024/0065; A63B 2024/0081; A63B 2220/51; A63B 2220/62; A63B 2220/836; G06F 1/163; G06F 3/038; G06F 3/03547; G04G 17/00; G04G 17/08; G04G 17/04; G04G 21/02; G04G 21/00; G04G 21/08; G04B 37/1486; G06Q 10/00; G06Q 50/00; G09B 9/00; G09B 19/00; G04F 10/00

See application file for complete search history.

(56)

References Cited

U.S. PATENT DOCUMENTS

9,183,719	B2	11/2015	Gouge et al.	
D748,507	S	2/2016	Evans et al.	
D790,996	S *	7/2017	Farley	D10/70
D801,200	S *	10/2017	Farley	D10/70
D817,198	S *	5/2018	Farley	D10/70
D837,073	S *	1/2019	Behar	D10/70
D837,671	S *	1/2019	Behar	D10/70
D856,174	S *	8/2019	Behar	D10/70
D859,187	S *	9/2019	Behar	D10/70
D866,370	S	11/2019	Wheaton et al.	
D866,371	S *	11/2019	Wheaton	D10/70
D881,729	S *	4/2020	Wheaton	D10/70
D923,496	S *	6/2021	Wheaton	D10/70

* cited by examiner

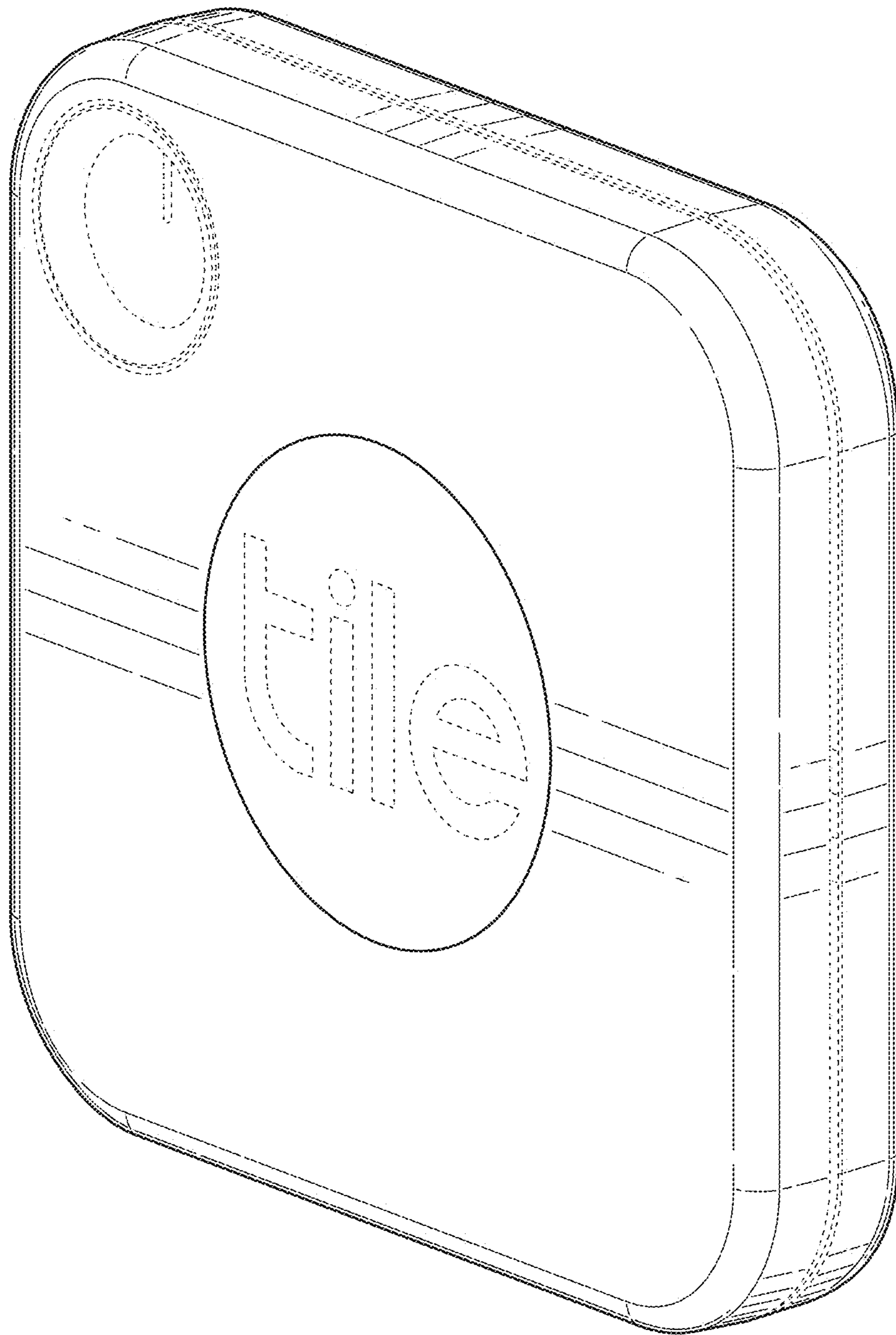


FIG. 1

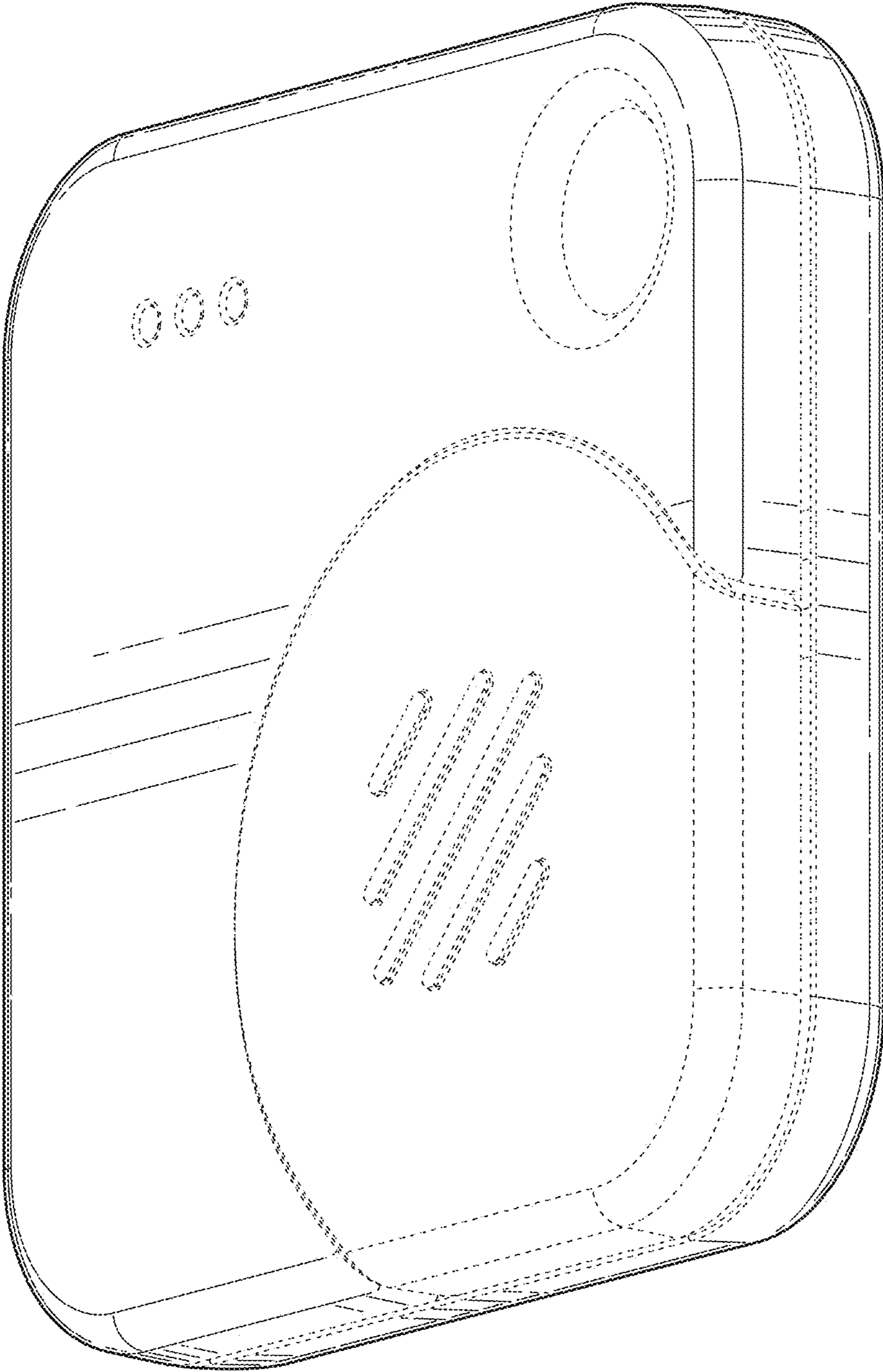


FIG. 2

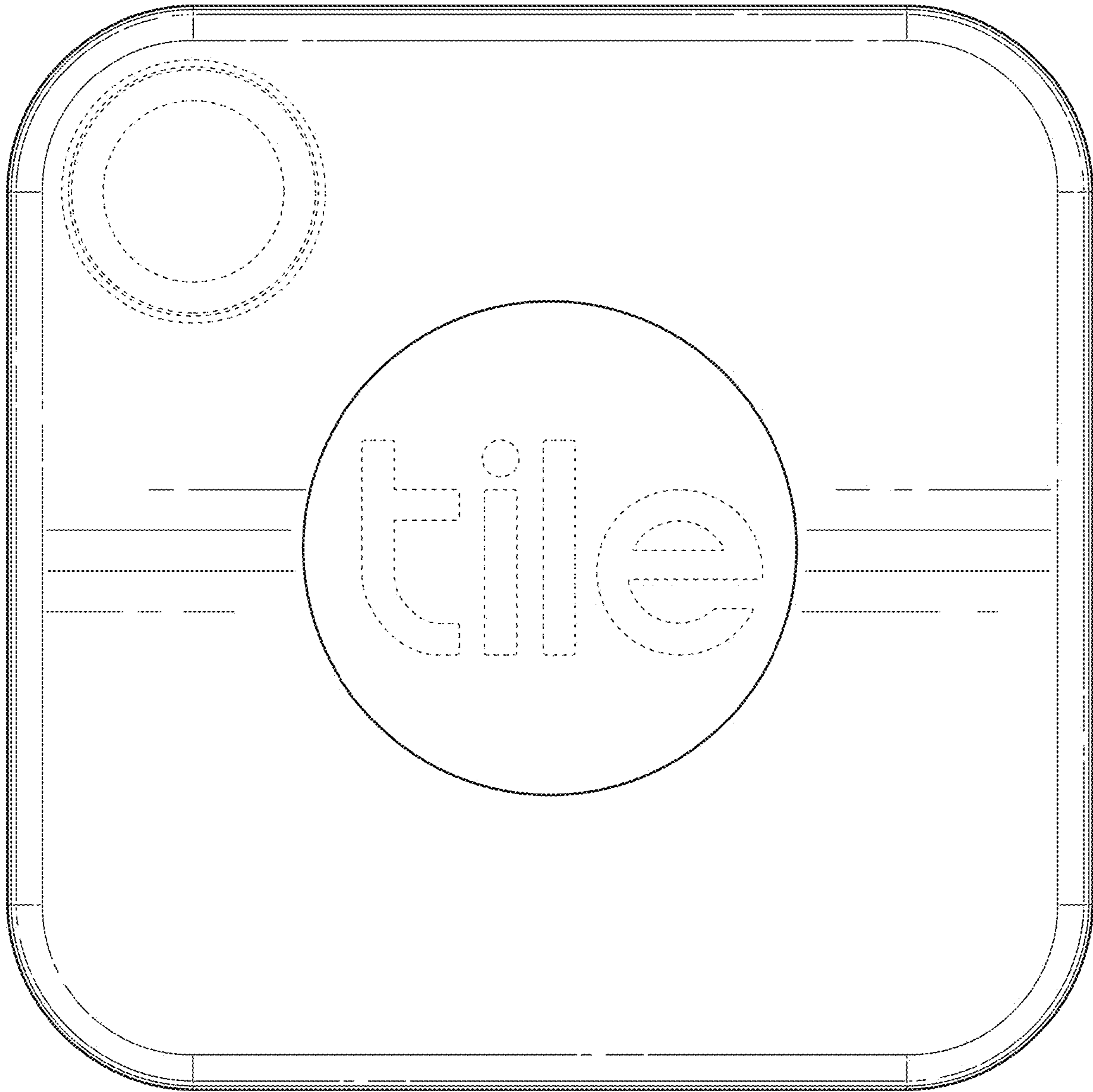


FIG. 3

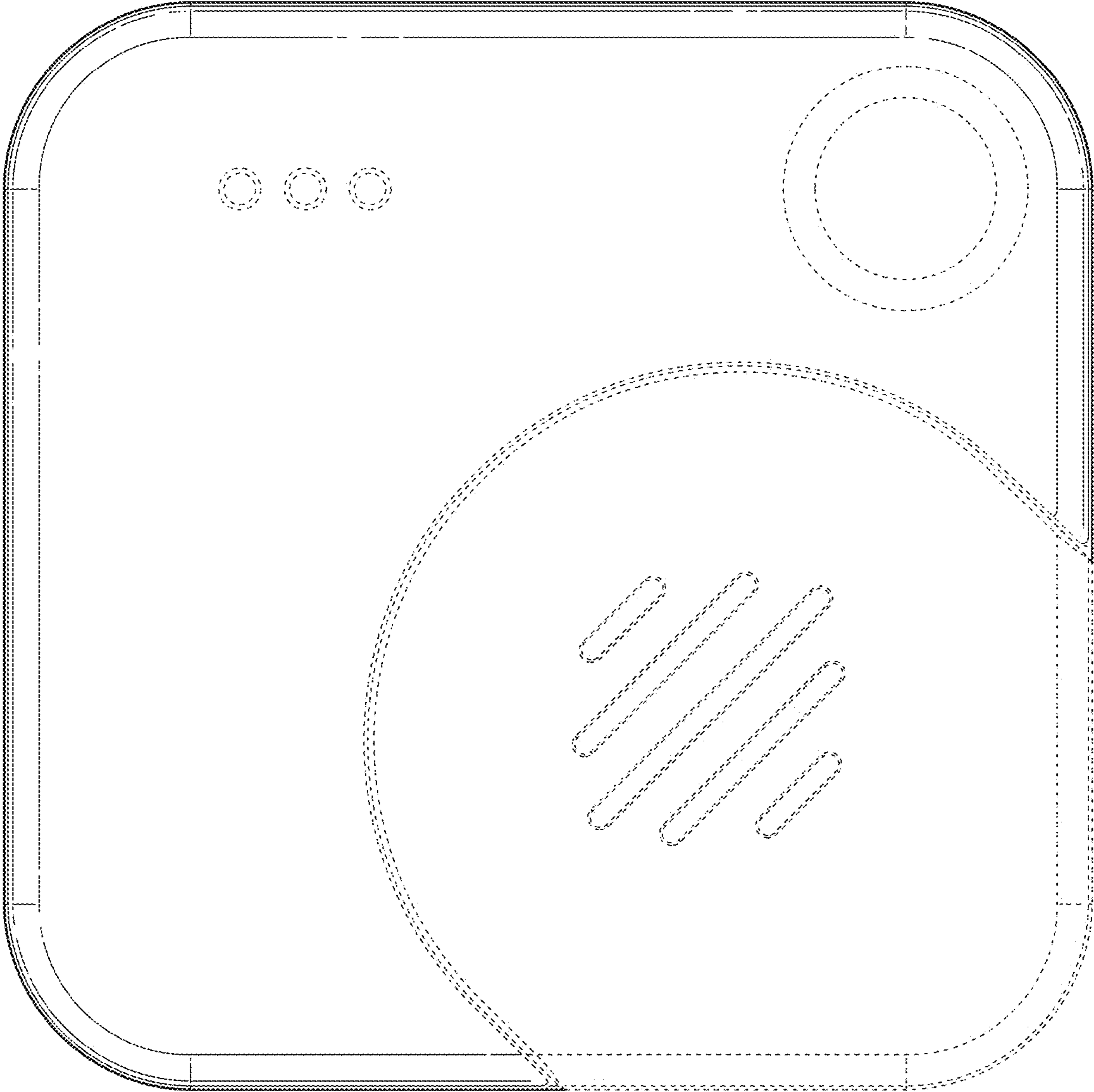


FIG. 4

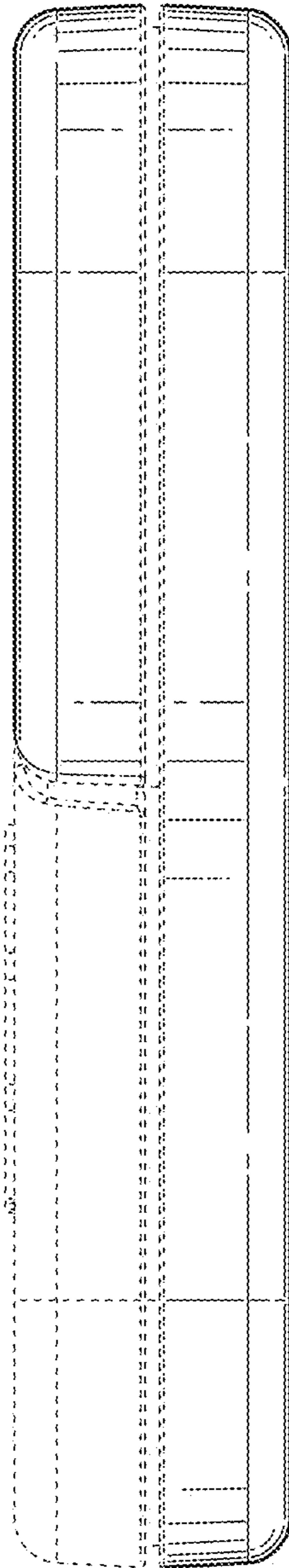


FIG. 5

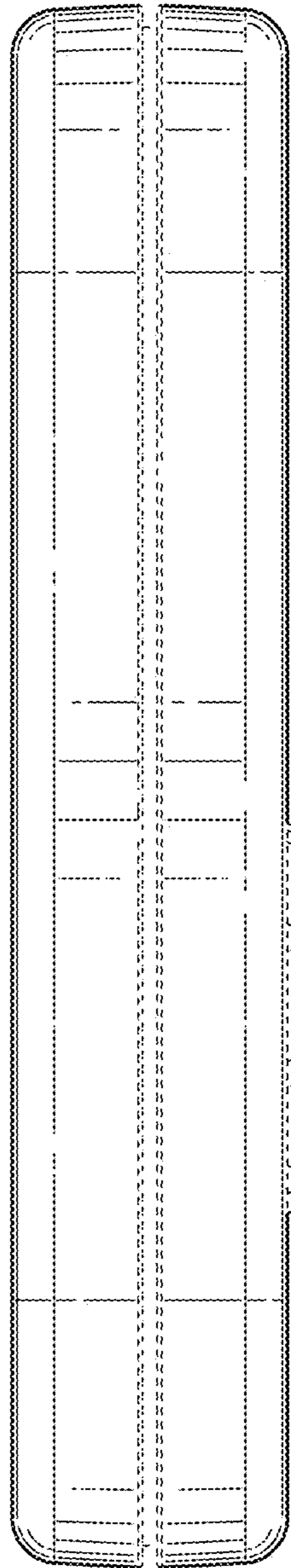


FIG. 6

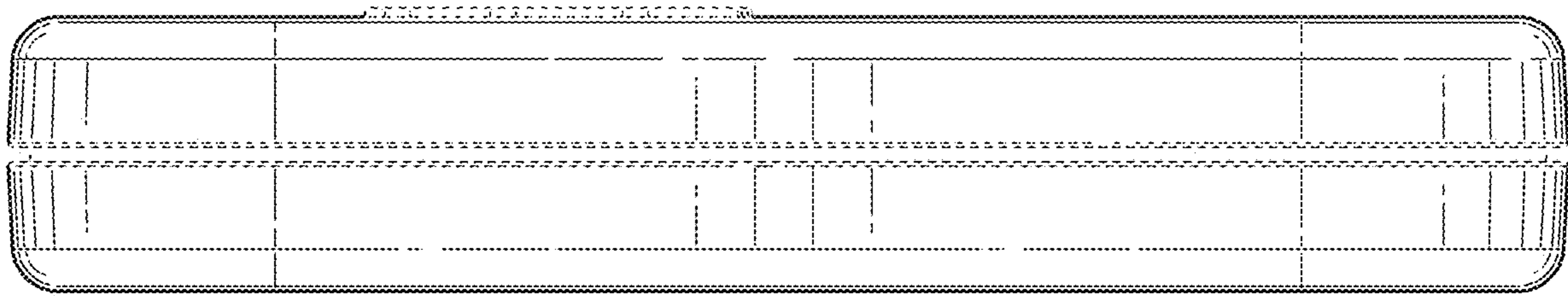


FIG. 7

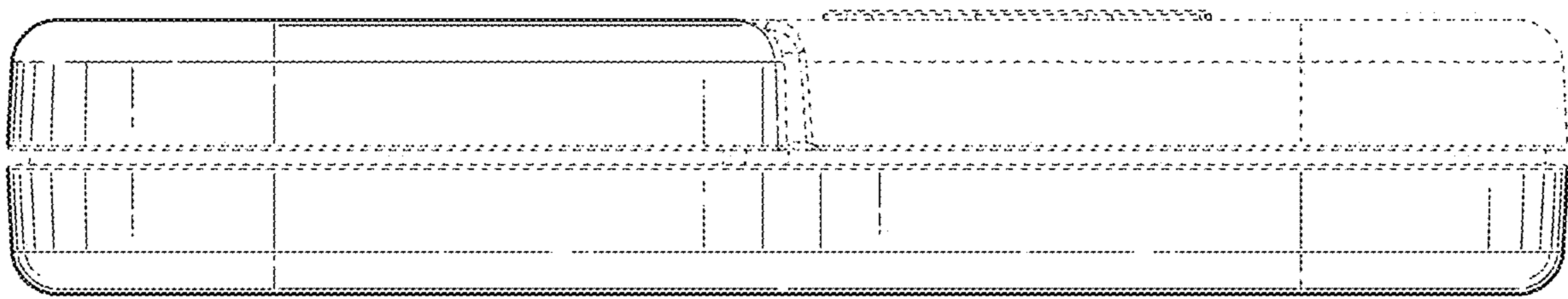


FIG. 8