



US00D937105S

(12) **United States Design Patent**
Schmidt et al.

(10) **Patent No.:** **US D937,105 S**
(45) **Date of Patent:** **** Nov. 30, 2021**

(54) **GEODETTIC APPARATUS**

FOREIGN PATENT DOCUMENTS

(71) Applicant: **Trimble Jena GmbH**, Jena (DE)

EM 000225529-0001 * 3/2007

(72) Inventors: **Colin Schmidt**, Jena (DE); **Michael Winterot**, Jena (DE); **Ilka Schlesiger**, Jena (DE); **Steffen Laabs**, Jena (DE)

OTHER PUBLICATIONS

GPS World Trimble X7 <https://www.gpsworld.com/trimble-launches-x7-3d-laser-scanner-at-intergeo-2019/> Sep. 17, 2019 (Year: 2019).*
Trimble X7 YouTube <https://www.youtube.com/watch?v=upi3yAJ8Shl&list=PLnj1bpJqx63xh14TrGcwdtYqSXJy5x5CA&index=4> Posted Oct. 7, 2019 (Year: 2019).*

(73) Assignee: **Trimble Jena GmbH**, Jena (DE)

(**) Term: **15 Years**

* cited by examiner

(21) Appl. No.: **29/706,576**

(22) Filed: **Sep. 20, 2019**

Primary Examiner — Leanne Was-Englehart

(30) **Foreign Application Priority Data**

(74) *Attorney, Agent, or Firm* — Kilpatrick Townsend & Stockton LLP

Mar. 21, 2019 (EM) 006319596

(51) **LOC (13) Cl.** **10-04**

(52) **U.S. Cl.**
USPC **D10/61**

(58) **Field of Classification Search**
USPC D10/61, 62, 65, 66, 69
CPC G01C 15/00; G01C 1/00; G01C 1/02
See application file for complete search history.

(57) **CLAIM**

The ornamental design for a geodetic apparatus, as shown and described.

(56) **References Cited**

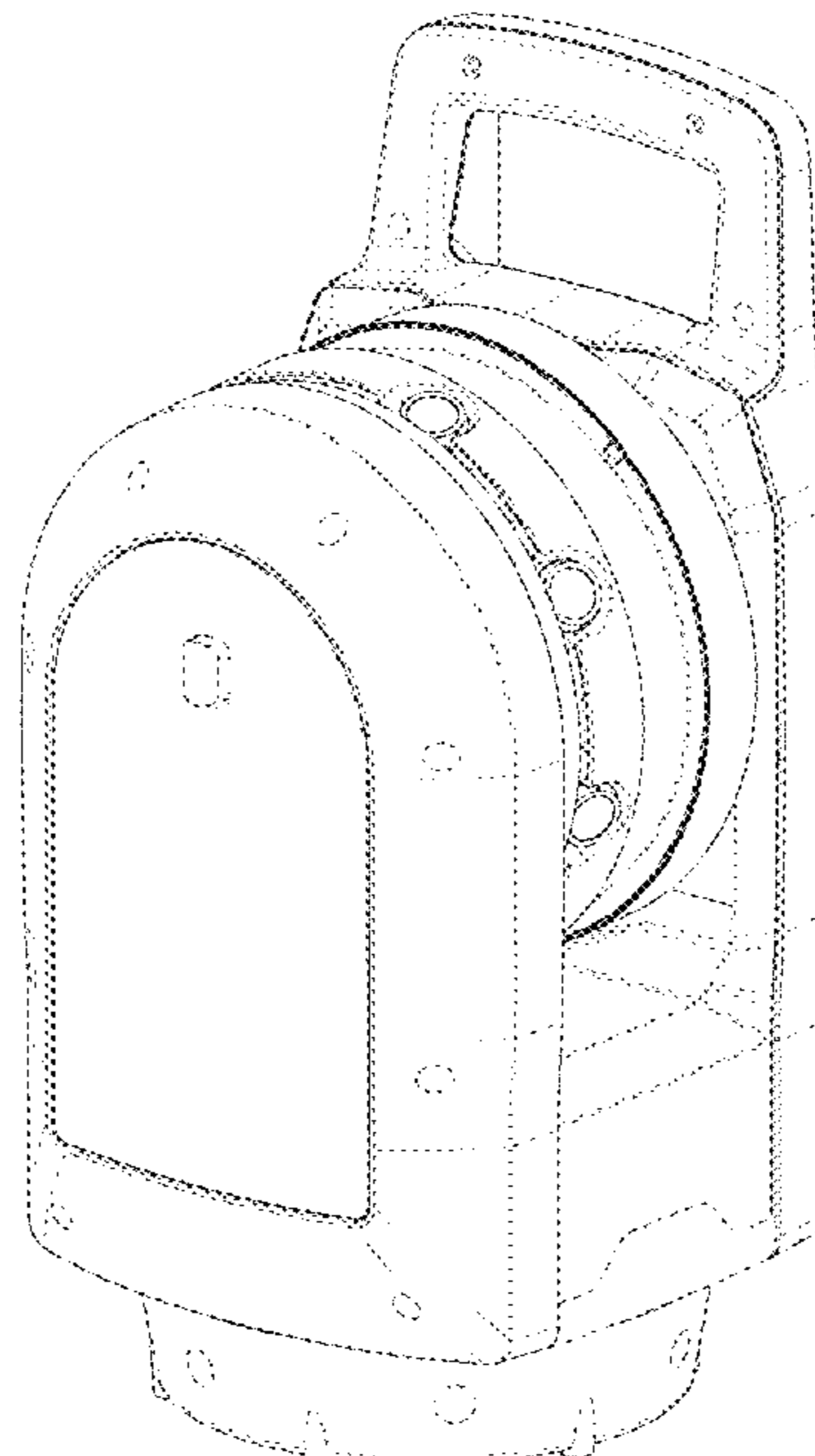
DESCRIPTION

U.S. PATENT DOCUMENTS

D231,261 S *	4/1974	Allesson	D10/61
7,793,424 B2 *	9/2010	Laabs	G01C 15/002
				33/290
D635,474 S *	4/2011	Kludas	D10/66
D635,475 S *	4/2011	Kludas	D10/66
D786,717 S *	5/2017	Grieves	D10/66
2010/0037474 A1 *	2/2010	Hertzman	G01C 15/002
				33/290
2019/0331486 A1 *	10/2019	Carlen	G01C 15/006
2020/0271446 A1 *	8/2020	Westermarck	G01C 1/02

FIG. 1 is a front, right side perspective view of a geodetic apparatus showing our new design;
FIG. 2 is a front, left side perspective view thereof;
FIG. 3 is a rear, left side perspective view thereof;
FIG. 4 is a rear, right side perspective view thereof;
FIG. 5 is a front elevation view thereof;
FIG. 6 is a rear elevation view thereof;
FIG. 7 is a top plan view thereof;
FIG. 8 is a bottom plan view thereof;
FIG. 9 is a left side elevation view thereof; and,
FIG. 10 is a right side elevation view thereof.
The broken lines depict portions of the geodetic apparatus that form no part of the claimed design.

1 Claim, 10 Drawing Sheets



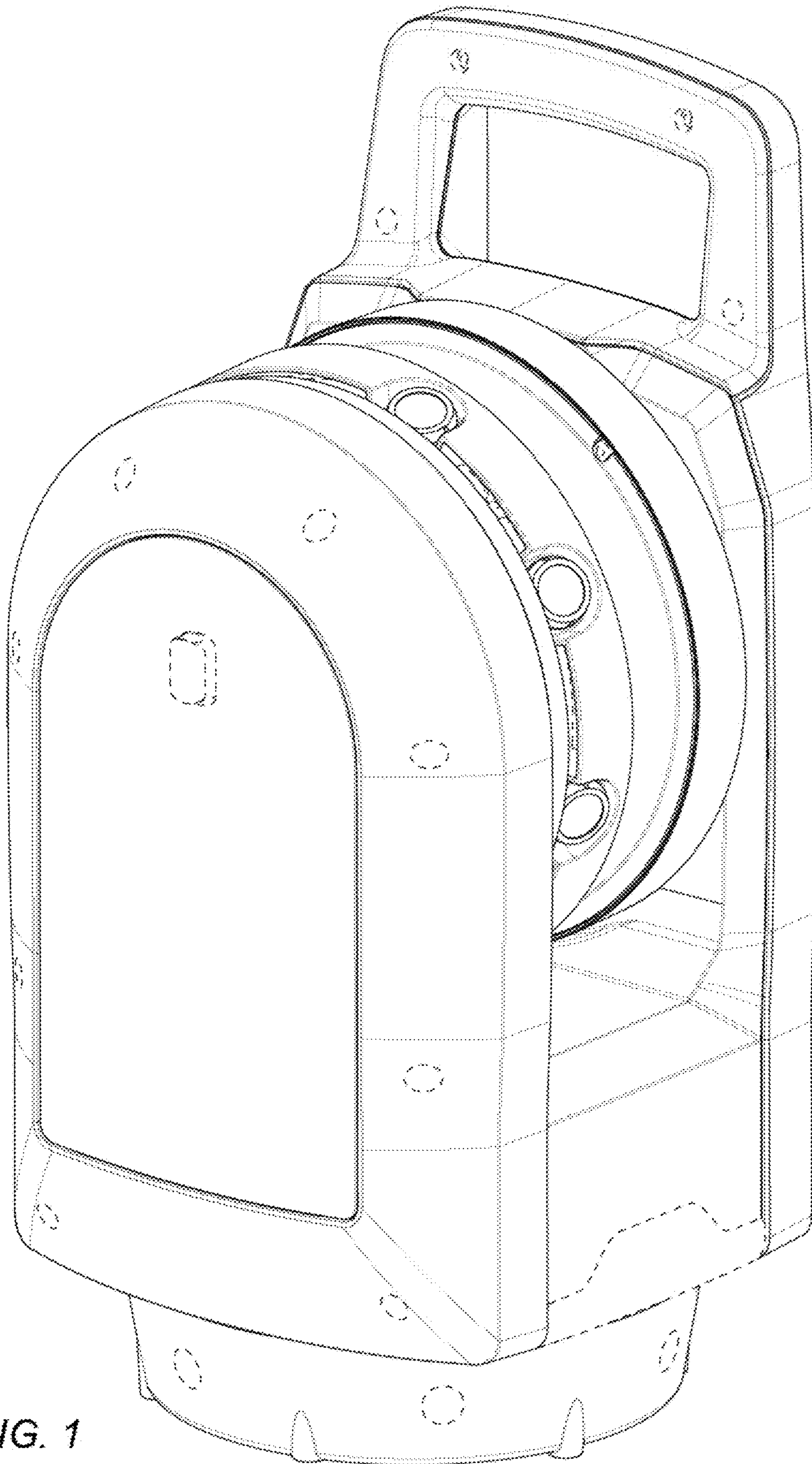


FIG. 1

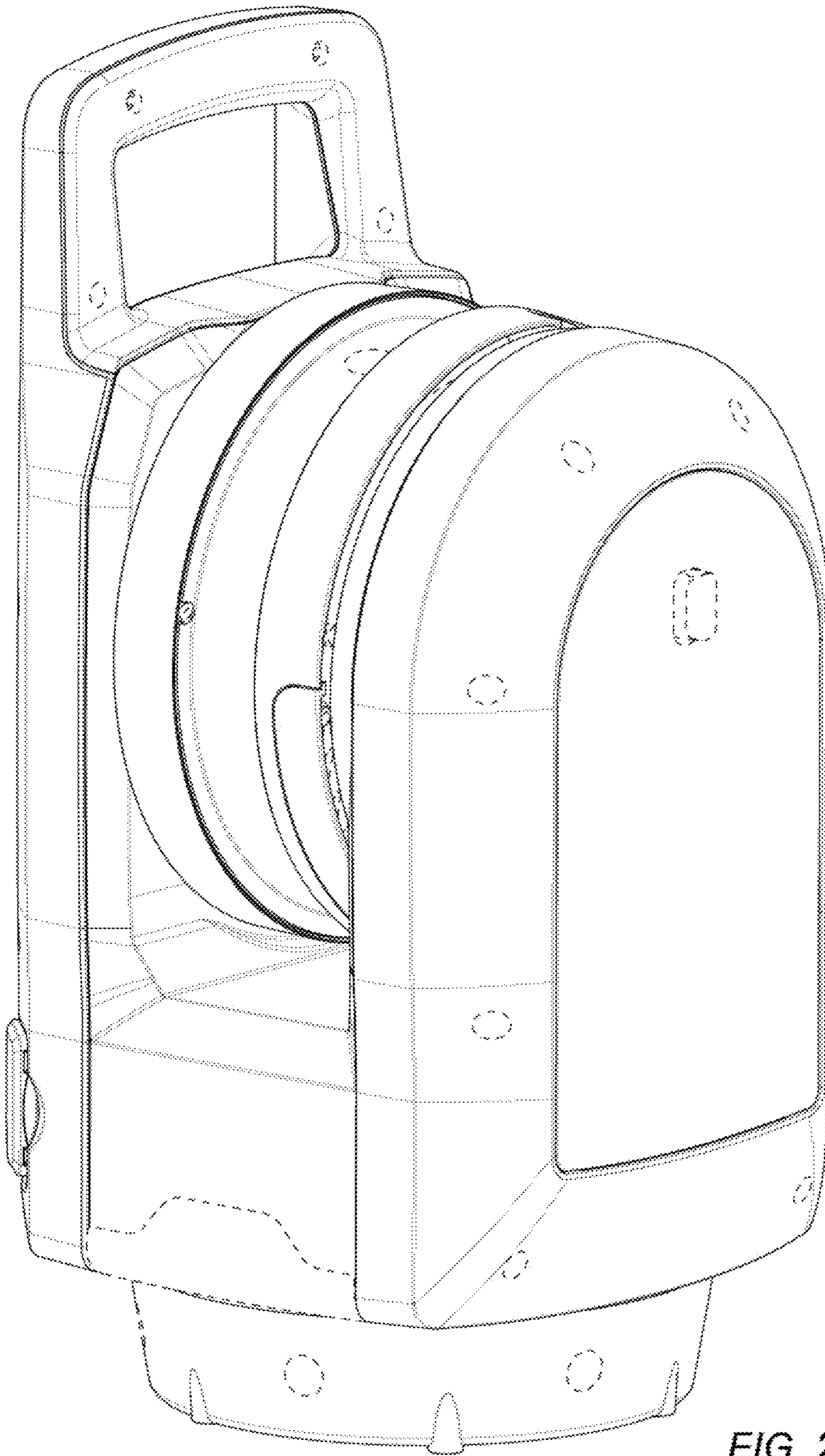


FIG. 2

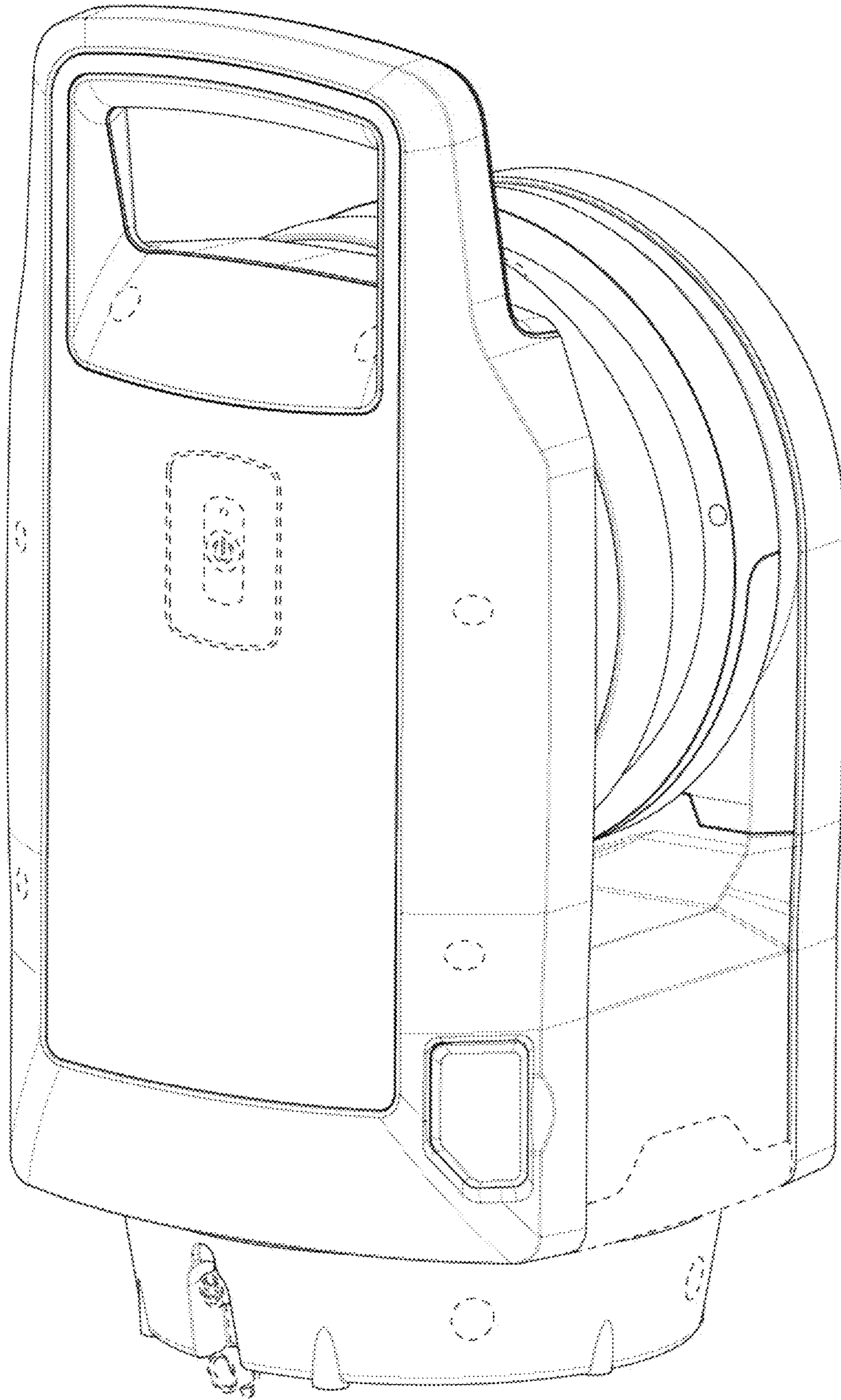


FIG. 3

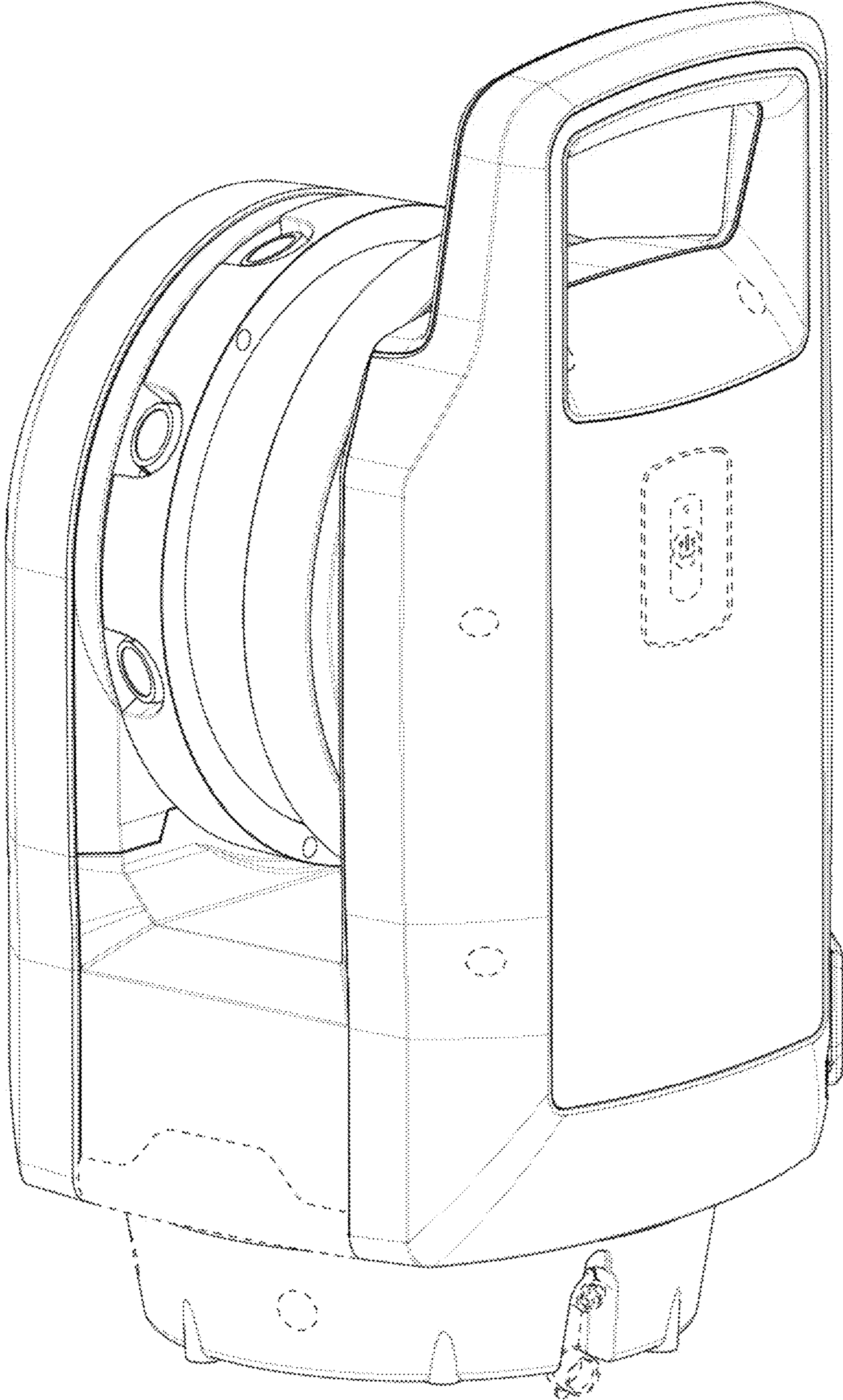


FIG. 4

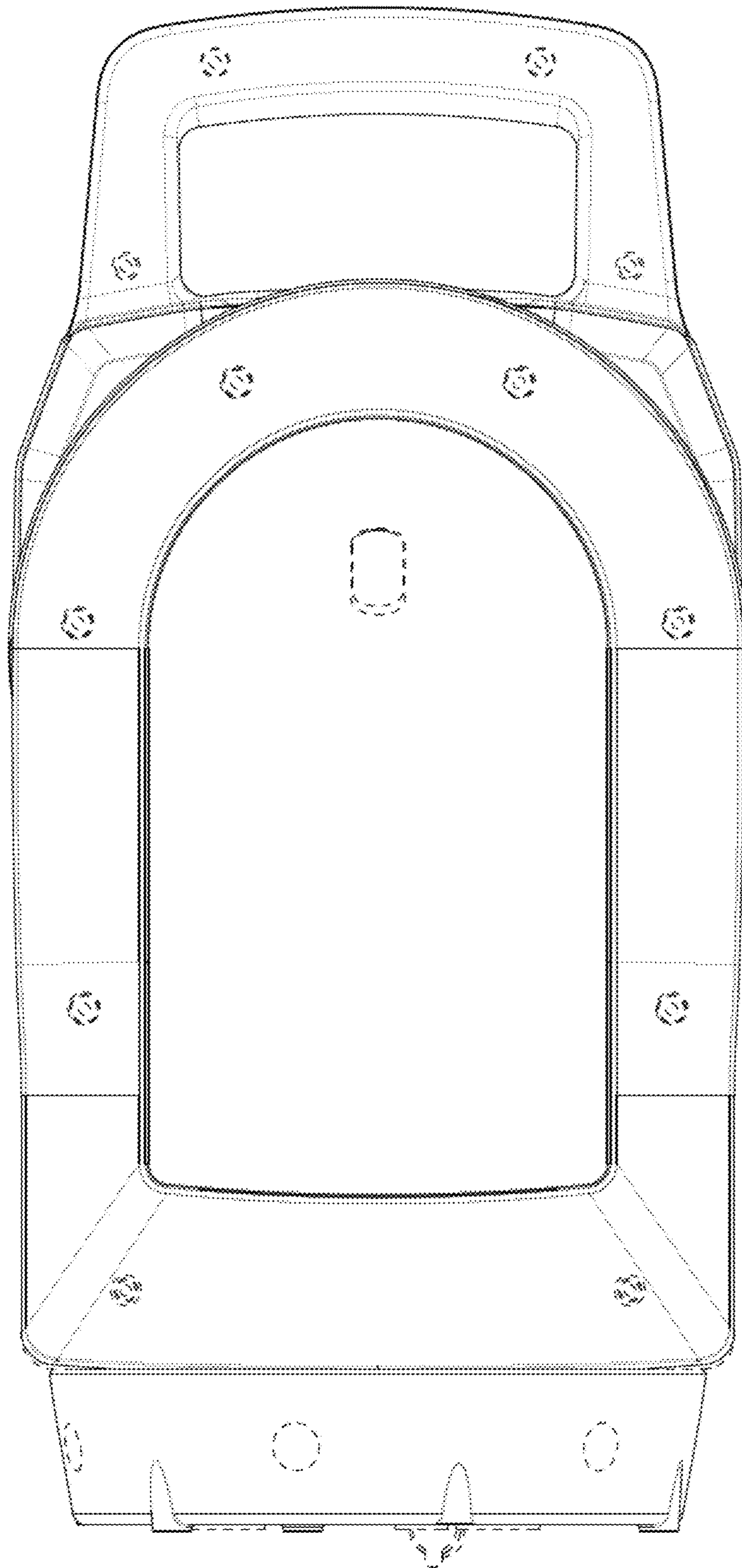


FIG. 5

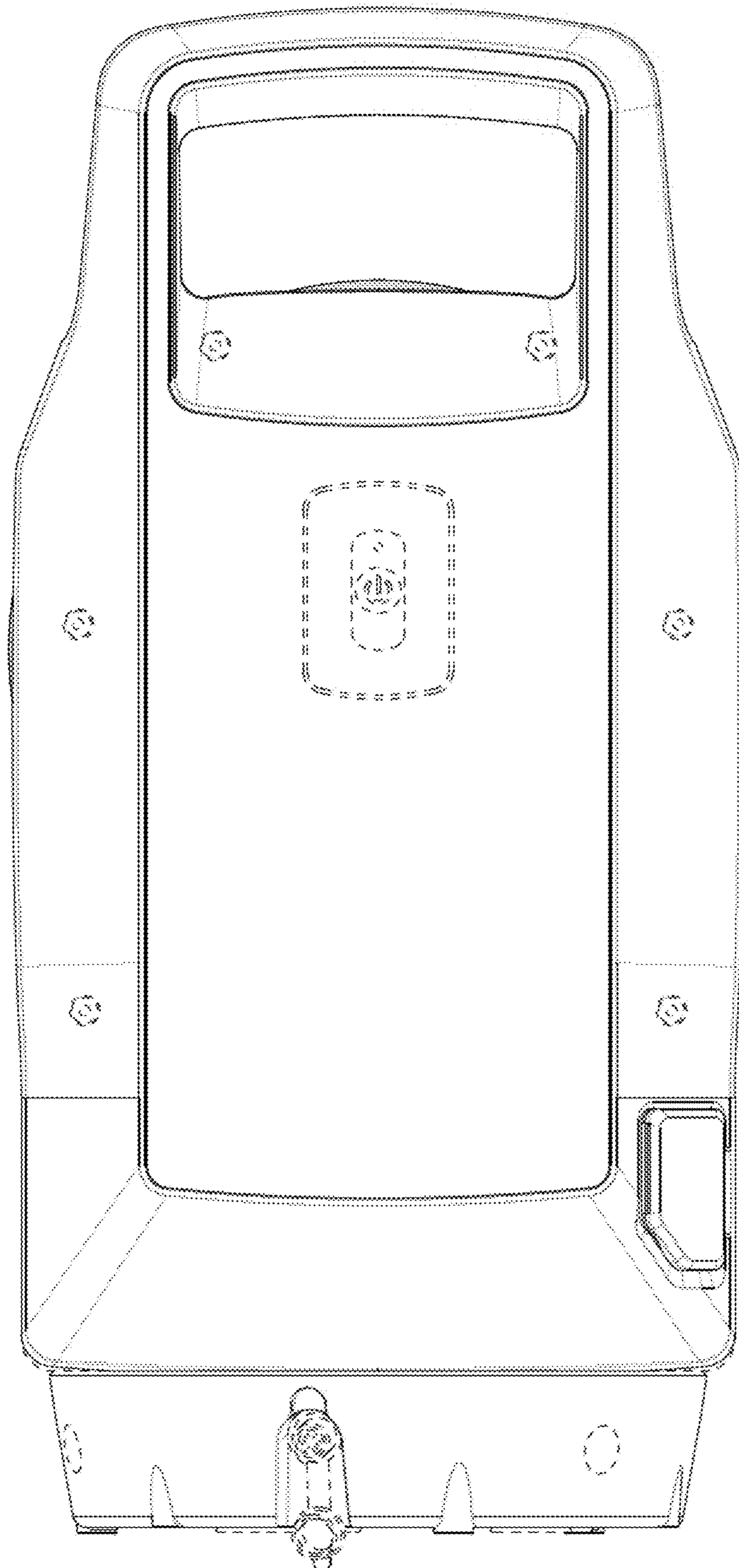


FIG. 6

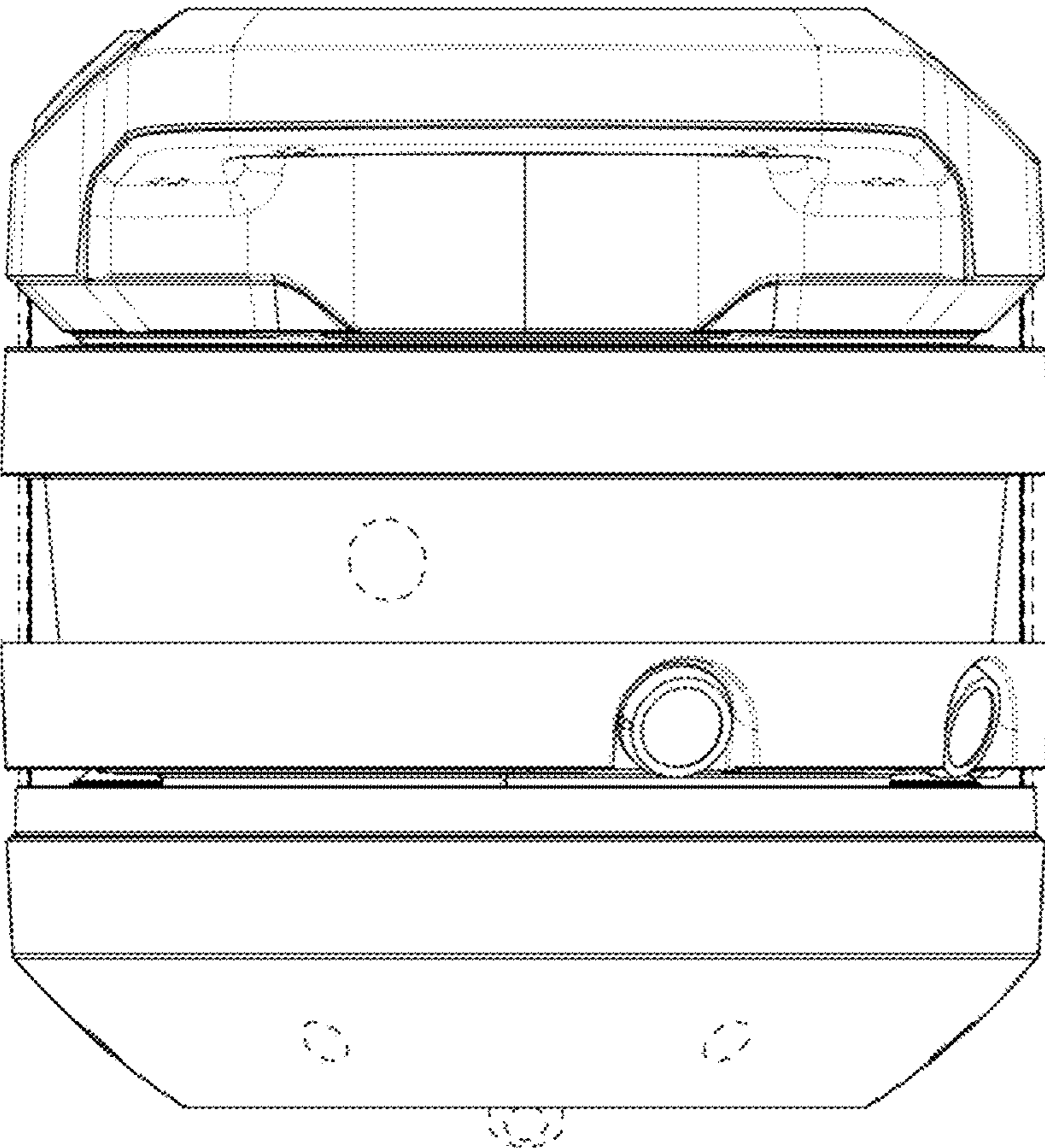


FIG. 7

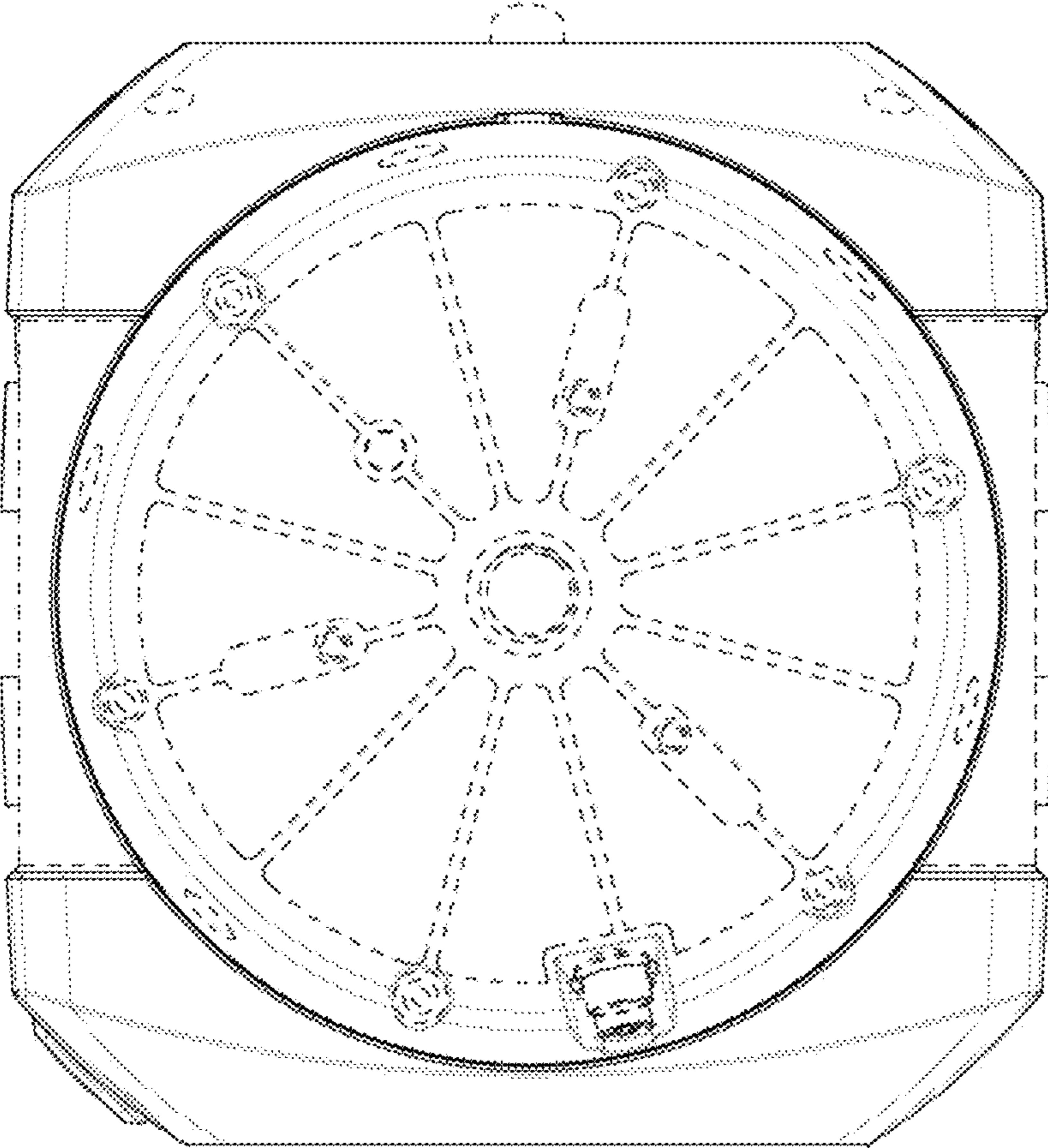


FIG. 8

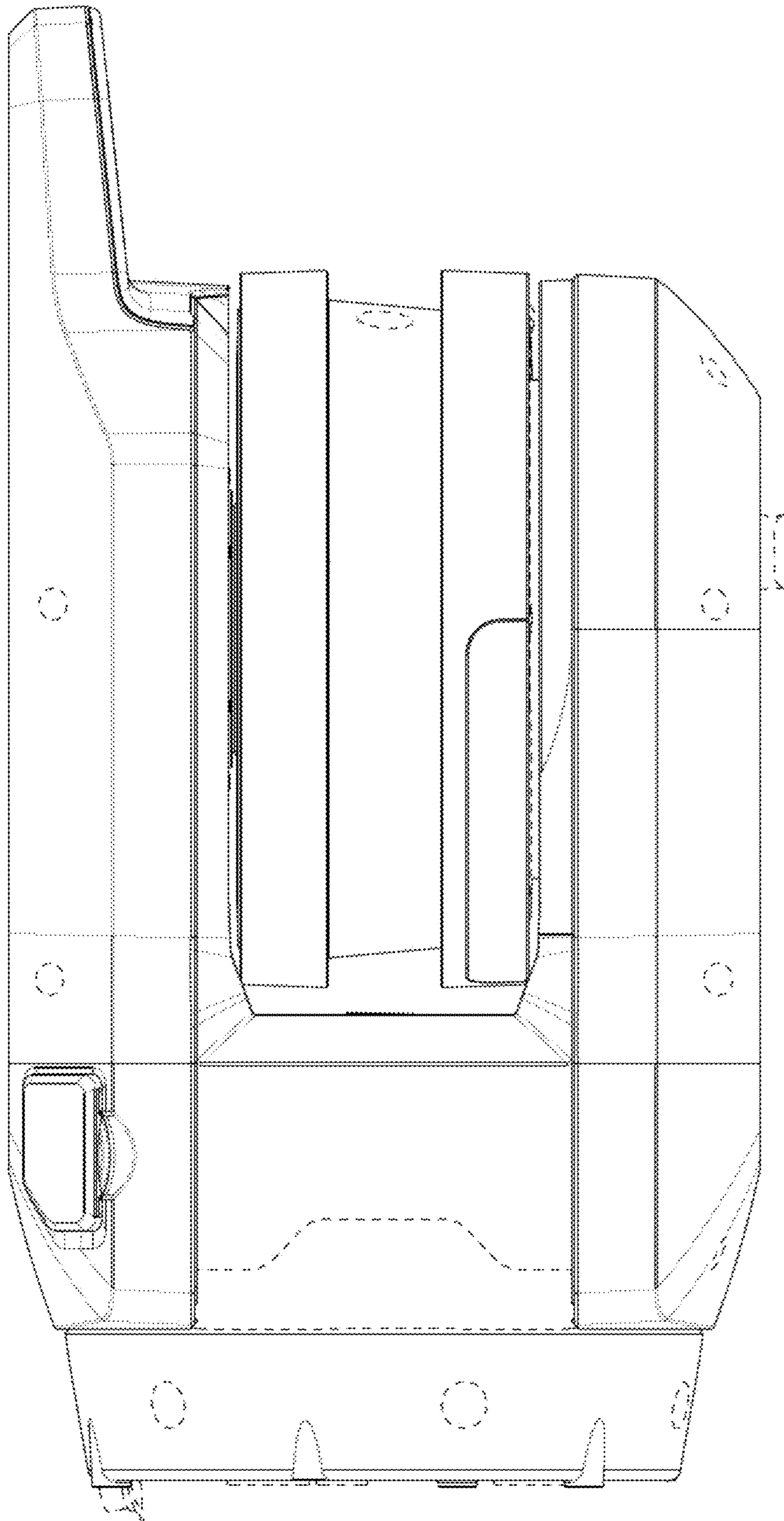


FIG. 9

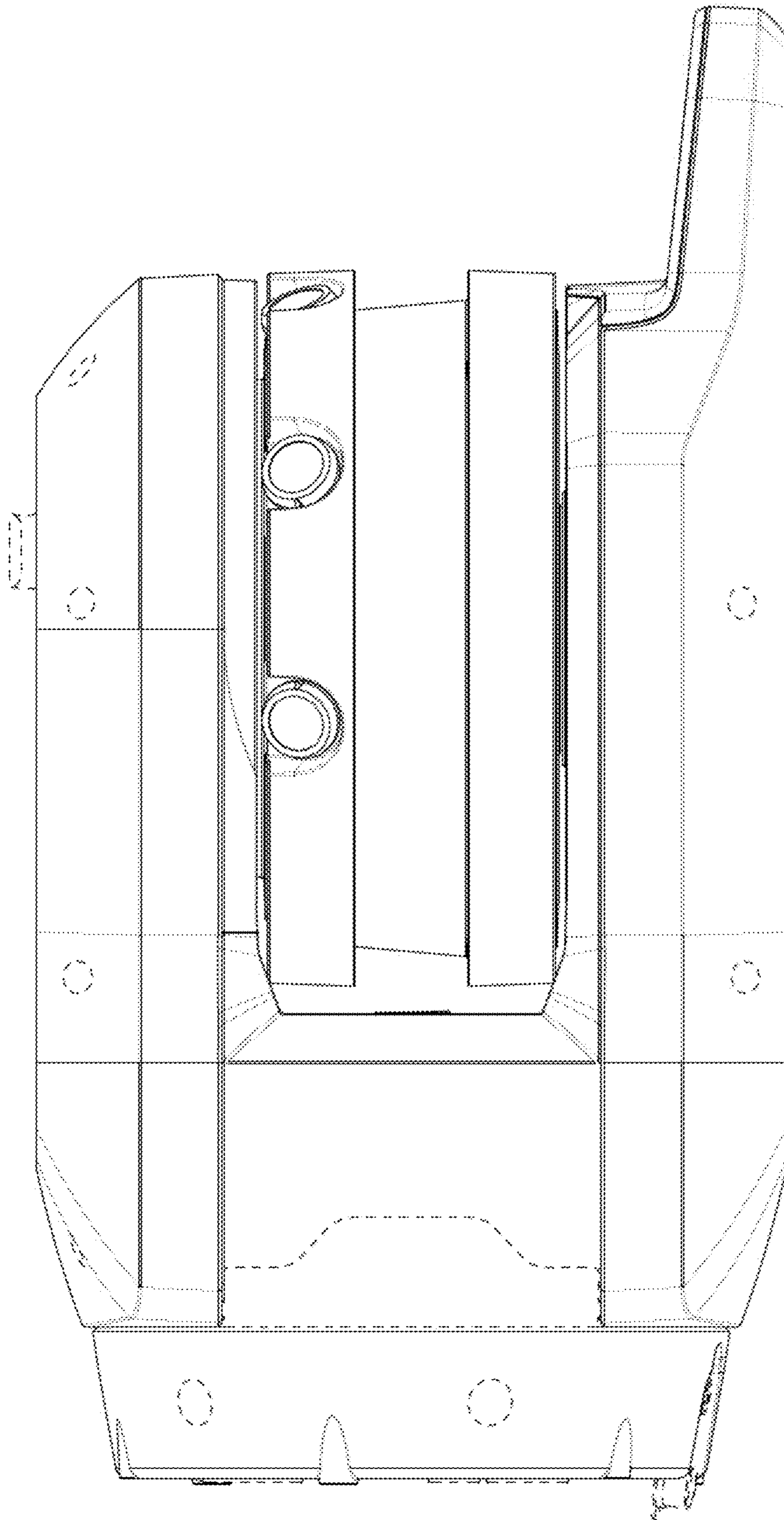


FIG. 10