



US00D937099S

(12) **United States Design Patent** (10) **Patent No.:** **US D937,099 S**
Pirela (45) **Date of Patent:** **** Nov. 30, 2021**

(54) **PACKAGED FOOD PRODUCT**

(71) Applicant: **Kraft Foods Group Brands LLC**,
Chicago, IL (US)

(72) Inventor: **Janina Pirela**, Plainsboro, NJ (US)

(73) Assignee: **Kraft Foods Group Brands LLC**,
Chicago, IL (US)

(**) Term: **15 Years**

(21) Appl. No.: **29/751,577**

(22) Filed: **Sep. 22, 2020**

Related U.S. Application Data

(62) Division of application No. 29/691,858, filed on May 20, 2019, now Pat. No. Des. 901,310.

(51) **LOC (13) Cl.** **09-05**

(52) **U.S. Cl.**
USPC **D9/708**

(58) **Field of Classification Search**

USPC D9/702-703, 705, 707, 709, 713-714,
D9/720, 414-416, 737, 643, 648;
426/106, 114-115, 119; 222/92, 107,
222/215, 527; 383/61.1, 113, 78, 84,
383/108, 207, 38, 63, 114, 210; 219/727;
D3/202, 203.1, 303; 206/811; D24/118,
D24/207; 229/87.06, 87.03, 87.08
CPC B65D 858/00; B65D 75/00; B65D 33/00;
B65D 33/04; B65D 33/24; B65D 33/16;
B65D 33/12; B65D 33/008; B65D 33/02;
B65D 33/01; B65D 81/3415; B65D
81/343; B65D 81/3438; B65D 81/3446;
B65D 81/3461; B65D 81/3266; B65D
81/22; A47K 10/421

See application file for complete search history.

(56) **References Cited**

U.S. PATENT DOCUMENTS

| | | | | |
|-----------|-----|---------|-------------|--------|
| 7,371,008 | B2 | 5/2008 | Bonenfant | |
| D619,478 | S | 7/2010 | Drewnowski | |
| D630,522 | S * | 1/2011 | Harvey | D9/707 |
| D643,745 | S | 8/2011 | Hartley | |
| D756,800 | S * | 5/2016 | Fenech, III | D9/707 |
| D756,801 | S | 5/2016 | Fenech, III | |
| D798,735 | S * | 10/2017 | Dieringer | D9/707 |
| D901,310 | S * | 11/2020 | Pirela | D9/708 |
| D926,591 | S * | 8/2021 | Rana | D9/707 |

* cited by examiner

Primary Examiner — Abraham Bahta

(74) *Attorney, Agent, or Firm* — Fitch, Even, Tabin & Flannery LLP

(57) **CLAIM**

The ornamental design for a packaged food product, as shown and described.

DESCRIPTION

FIG. 1 is a perspective view of a package showing my new design.

FIG. 2 is a top plan view thereof.

FIG. 3 is a bottom plan view thereof.

FIG. 4 is front elevational view thereof.

FIG. 5 is a rear elevational view thereof; and,

FIG. 6 is a left side elevational view thereof, the right side view being a mirror image thereof.

Broken line disclosures are for illustrative purposes only and form no part of the claimed design.

1 Claim, 3 Drawing Sheets

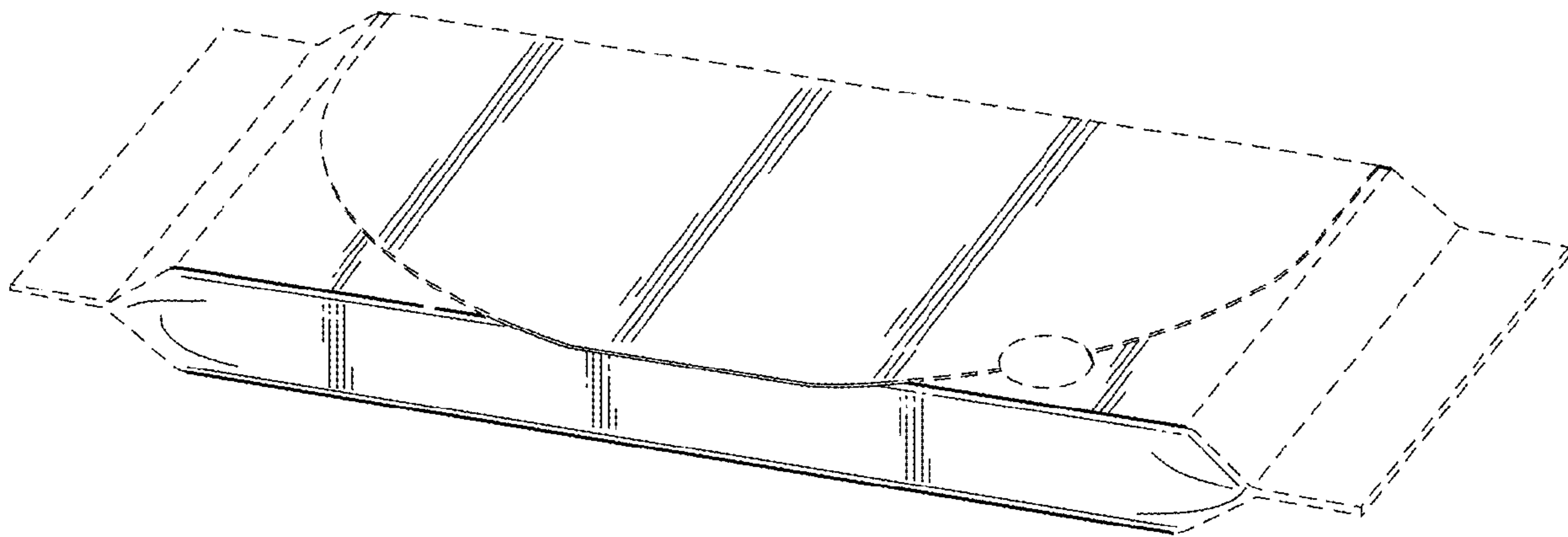


FIG. 1

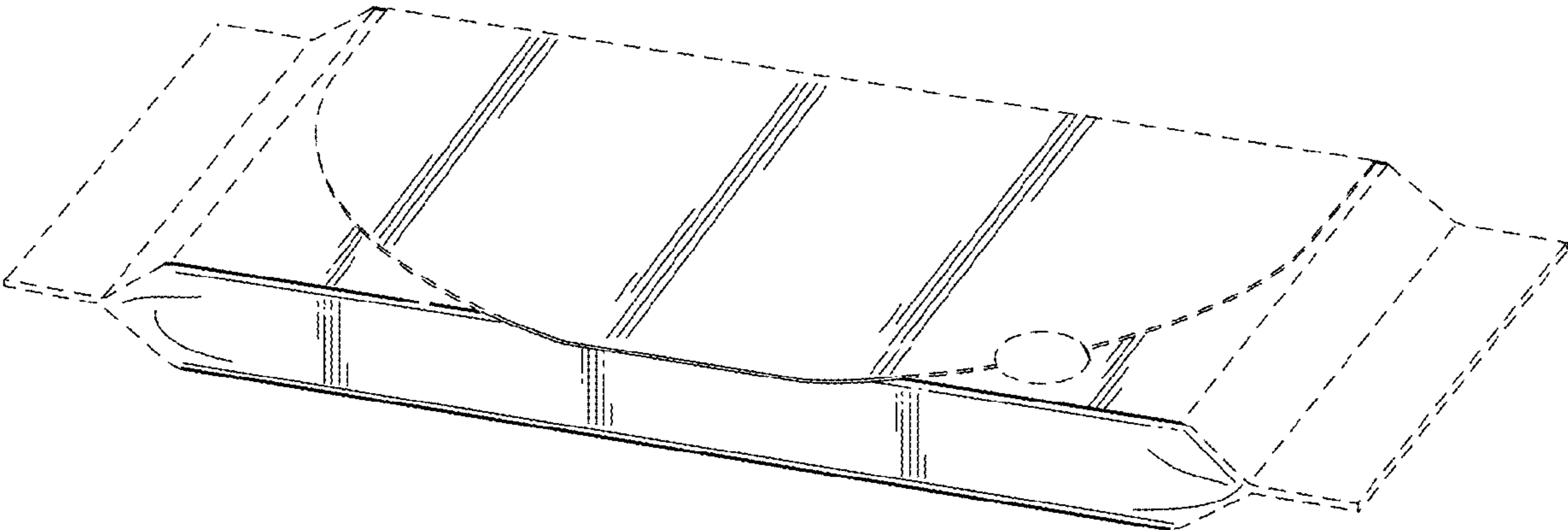


FIG. 2

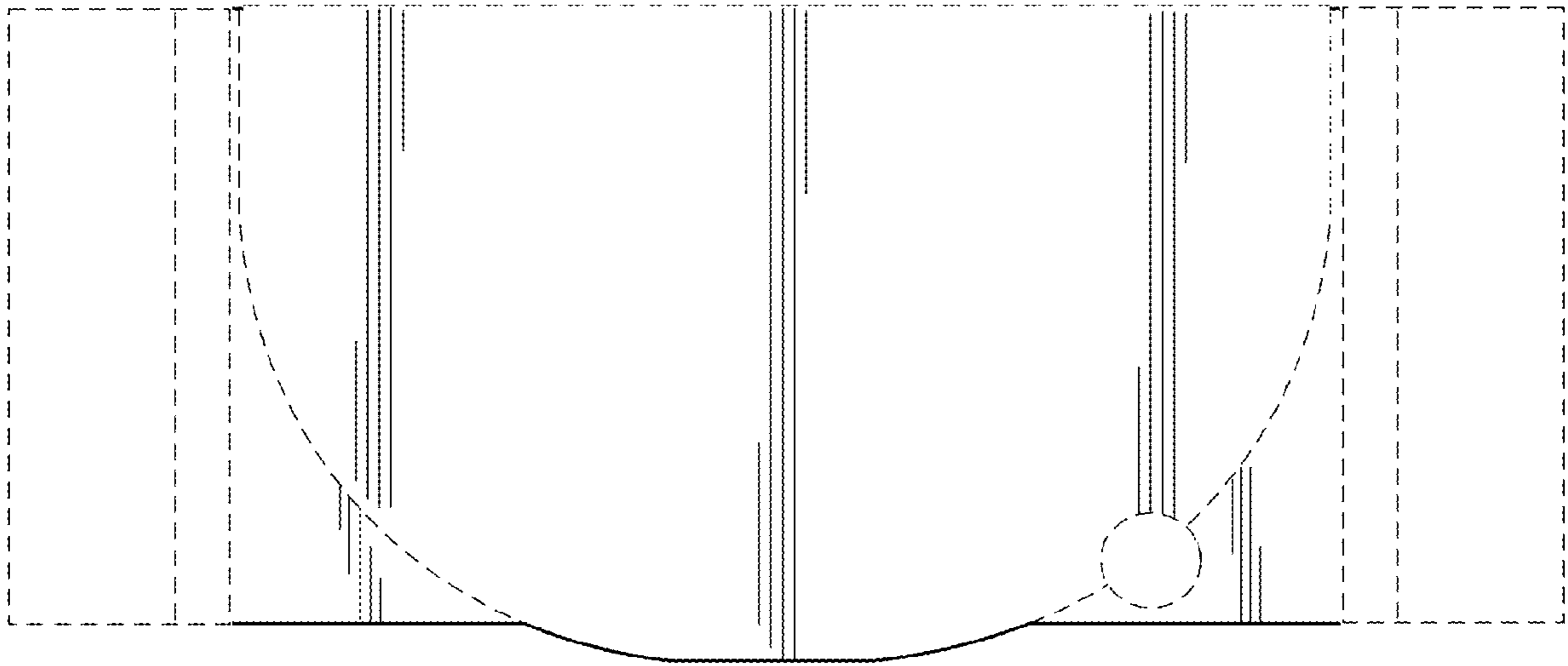


FIG. 3

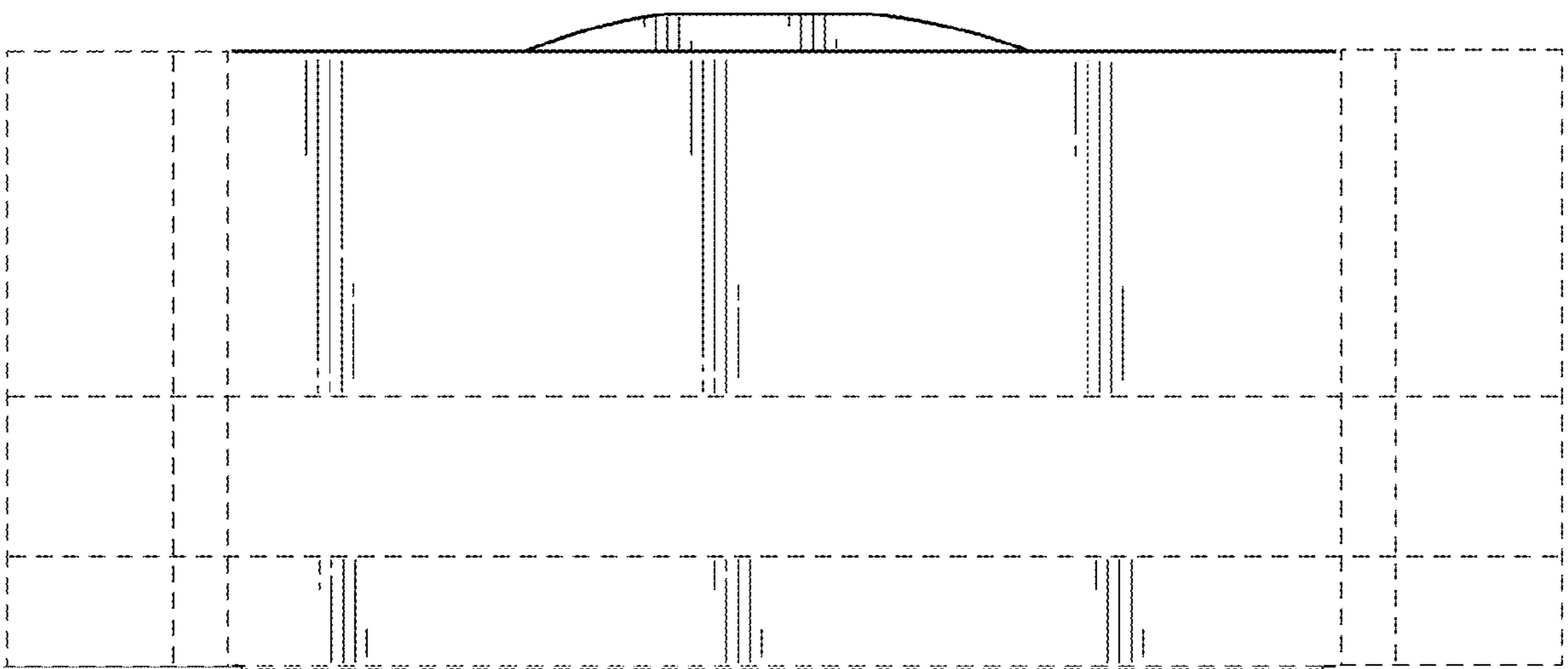


FIG. 4

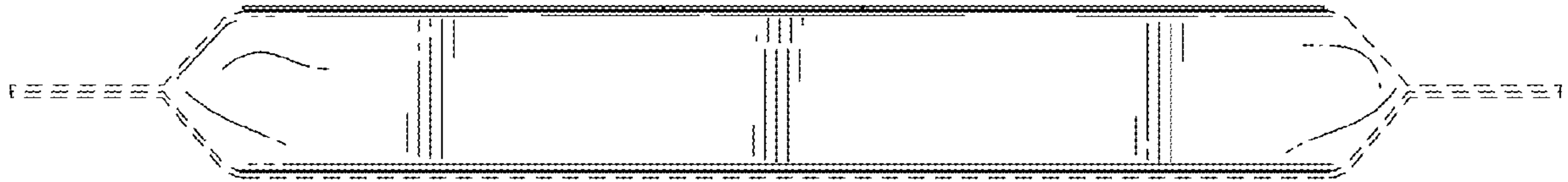


FIG. 5

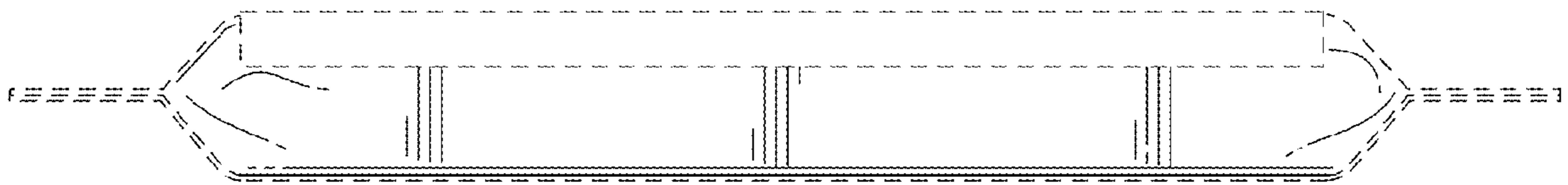


FIG. 6

