



US00D937093S

(12) **United States Design Patent**
Del Bon

(10) **Patent No.:** **US D937,093 S**

(45) **Date of Patent:** **** Nov. 30, 2021**

(54) **BOTTLE**

(71) Applicant: **Bruni Glass S.p.A.**, Trezzano sul Naviglio (IT)

(72) Inventor: **Roberto Del Bon**, Trezzano sul Naviglio (IT)

(73) Assignee: **BRUNI GLASS S.P.A.**, Trezzano sul Naviglio (IT)

(**) Term: **15 Years**

(21) Appl. No.: **29/666,303**

(22) Filed: **Oct. 11, 2018**

(30) **Foreign Application Priority Data**

Apr. 20, 2018 (EM) 005241916-0006

(51) **LOC (13) Cl.** **09-01**

(52) **U.S. Cl.**
USPC **D9/560; D9/574**

(58) **Field of Classification Search**
USPC D9/432, 452, 529, 544, 560, 573, 574
CPC ... A45D 40/0068; A45D 40/00; A45D 33/006
See application file for complete search history.

(56) **References Cited**

U.S. PATENT DOCUMENTS

D515,940 S	*	2/2006	Kratko	D9/560
D526,206 S	*	8/2006	Varlet	D9/560
D579,785 S	*	11/2008	Rica	D9/544
D580,773 S	*	11/2008	Rica	D9/544
D581,800 S	*	12/2008	Rica	D9/544
D602,368 S	*	10/2009	Rica	D9/544
D613,177 S	*	4/2010	Lee	D9/560
D630,100 S	*	1/2011	Wanet	D9/544
D646,178 S	*	10/2011	Barber	D9/560
D660,169 S	*	5/2012	Potts	D9/544
D691,484 S	*	10/2013	Fitzgerald	D9/560

D698,256 S	*	1/2014	Thompson	D9/560
D698,257 S	*	1/2014	Gonzalez Rodriguez	D9/574
D714,652 S	*	10/2014	Shaw	D9/544
D719,030 S	*	12/2014	Perez-Cabrera	D9/560
D719,455 S	*	12/2014	Perez-Cabrera	D9/560
D724,952 S	*	3/2015	Humm	D9/544
D742,751 S	*	11/2015	Letamendi	D9/560
D756,234 S	*	5/2016	Orset	D9/560
D769,124 S	*	10/2016	Wieland	D9/560
D776,544 S	*	1/2017	Staab	D9/560
D790,351 S	*	6/2017	Maillet	D9/560
D796,964 S	*	9/2017	Staab	D9/560
D812,483 S	*	3/2018	Hernandez	D9/574
D815,952 S	*	4/2018	Chung	D9/560
D816,506 S	*	5/2018	Jones	D9/560
D833,291 S	*	11/2018	Staab	D9/560
D838,182 S	*	1/2019	Landis	D9/560

(Continued)

FOREIGN PATENT DOCUMENTS

JP D1218613 * 9/2004

Primary Examiner — Brett Miller

Assistant Examiner — Rani J Abdallah

(74) *Attorney, Agent, or Firm* — Kirschstein, Israel, Schiffmiller & Pieroni, P.C.

(57) **CLAIM**

The ornamental design for a bottle, as shown and described.

DESCRIPTION

FIG. 1 is a perspective view of a bottle according to my new design.

FIG. 2 is a side elevation view thereof, all side elevation views being identical.

FIG. 3 is a top plan view thereof; and,

FIG. 4 is a bottom plan view thereof.

The broken lines in the drawings illustrate the portions of the bottle that form no part of the claim.

1 Claim, 3 Drawing Sheets



(56)

References Cited

U.S. PATENT DOCUMENTS

D860,802 S *	9/2019	Lee	D9/560
D863,972 S *	10/2019	Staab	D9/560
D865,297 S *	10/2019	De Martino	D9/560
D876,238 S *	2/2020	Dolce	D9/560
D878,572 S *	3/2020	Davis	D9/574
D889,975 S *	7/2020	Cartis	D9/560
D893,305 S *	8/2020	Cartis	D9/560
D893,306 S *	8/2020	Cartis	D9/560
D893,307 S *	8/2020	Cartis	D9/560
D904,892 S *	12/2020	Le Henry	D9/560
D920,797 S *	6/2021	Thompson	D9/544
D922,203 S *	6/2021	De Silva Wijeyeratne ...	D9/544
D922,204 S *	6/2021	Joly	D9/544
D929,868 S *	9/2021	Kataoka	D9/560

* cited by examiner

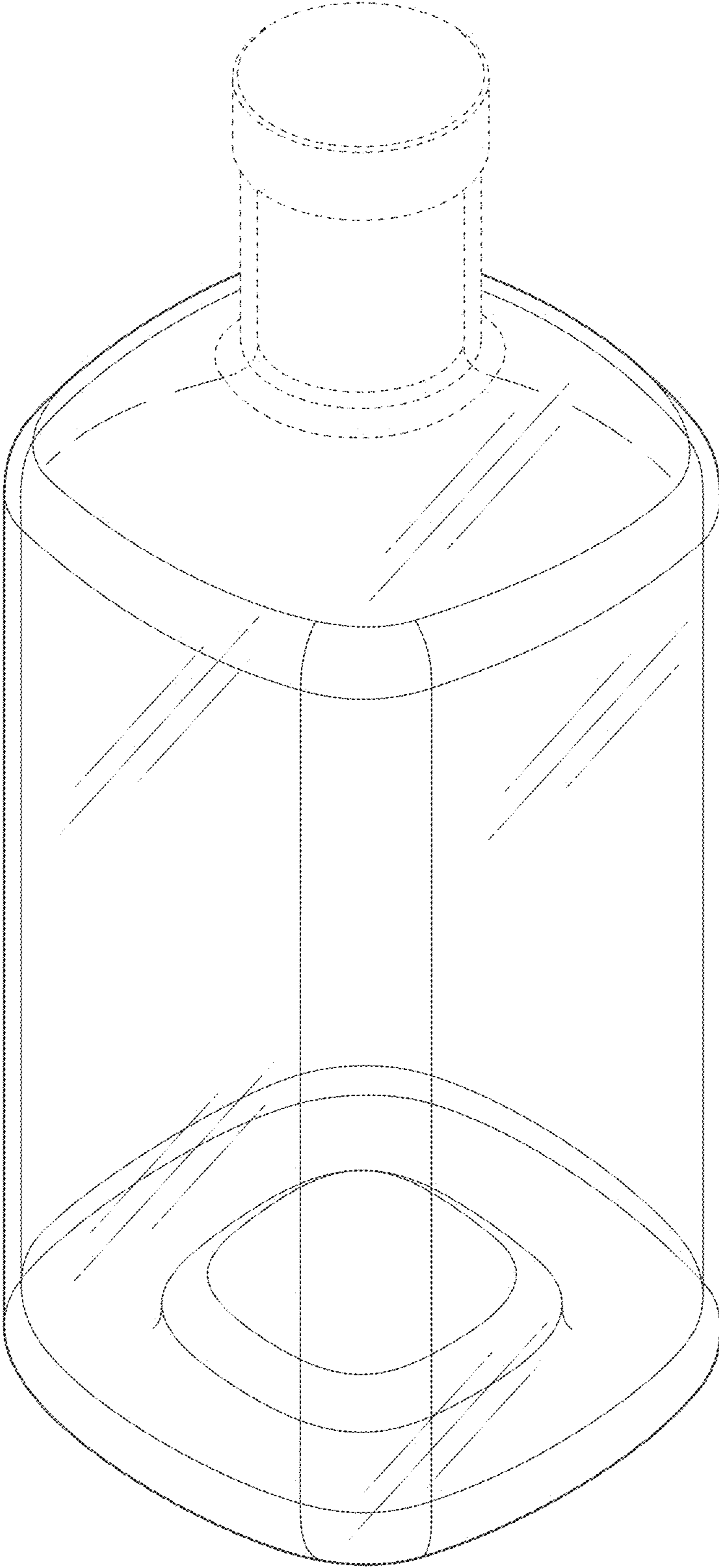


FIG. 1

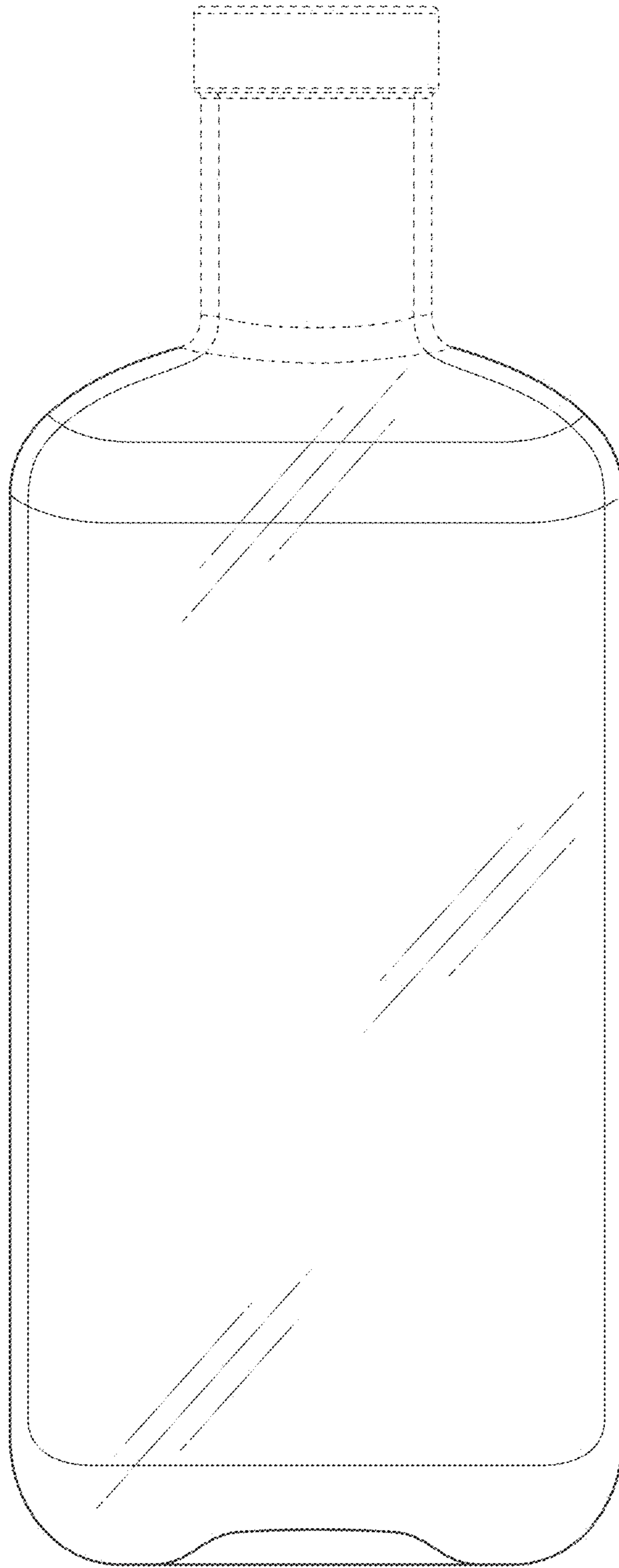


FIG. 2

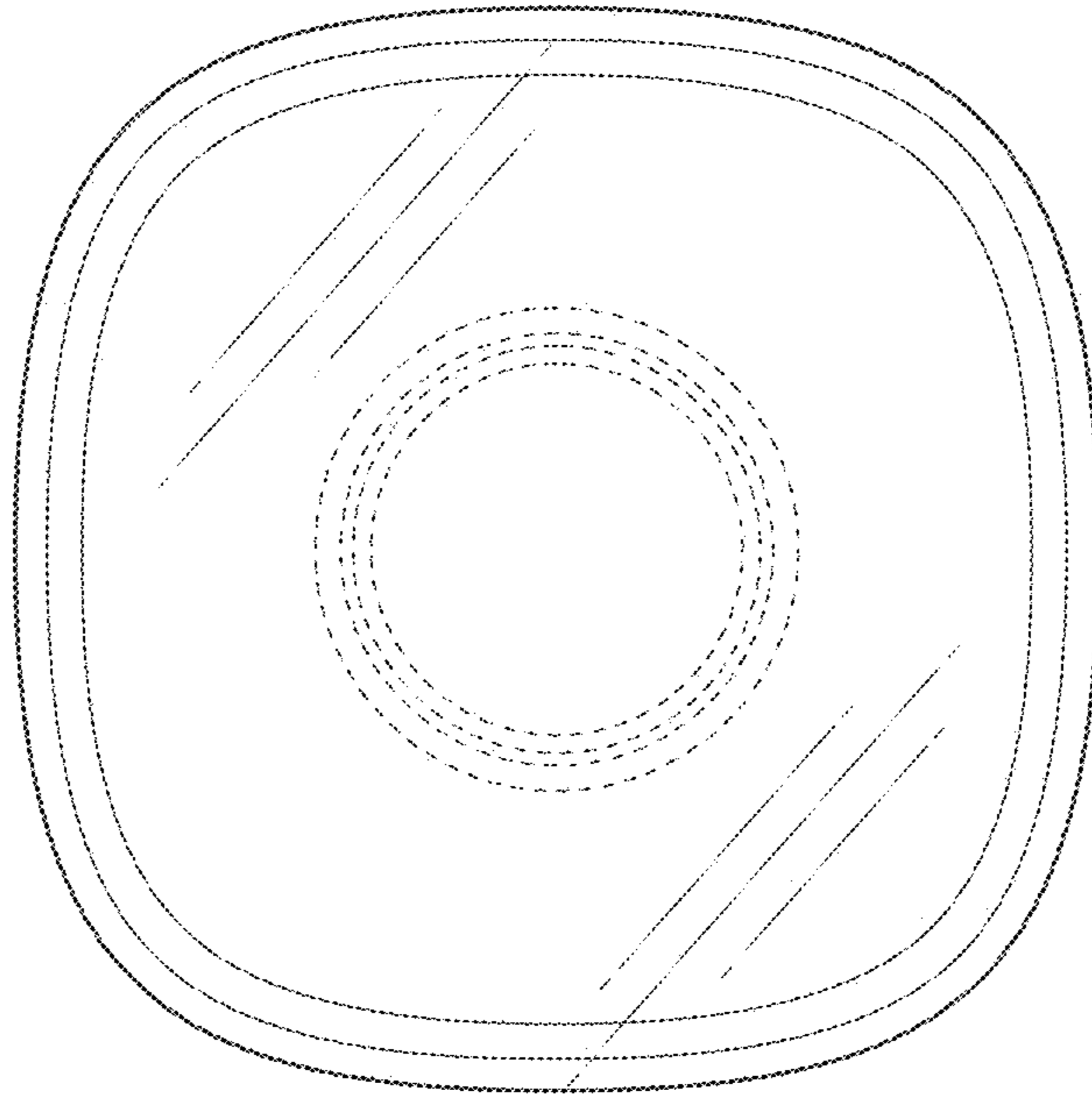


FIG. 3

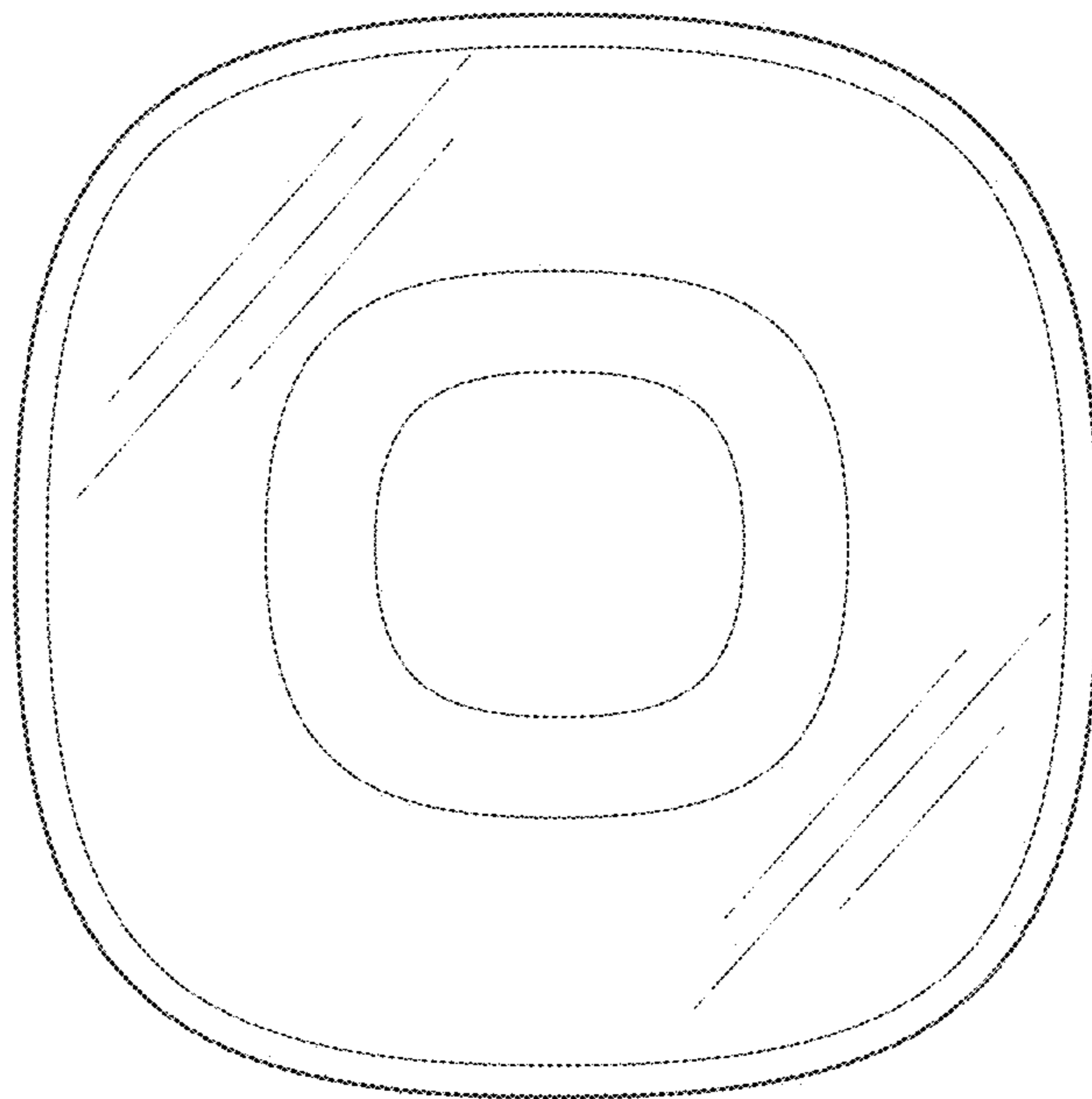


FIG. 4