



US00D937091S

(12) **United States Design Patent**
Eble

(10) **Patent No.:** **US D937,091 S**

(45) **Date of Patent:** **** Nov. 30, 2021**

(54) **CONTAINER**

(71) Applicant: **Pretium Packaging, L.L.C.**,
Chesterfield, MO (US)

(72) Inventor: **Raymond C. Eble**, Sugarloaf, PA (US)

(73) Assignee: **Pretium Packaging, L.L.C.**,
Chesterfield, MO (US)

(**) Term: **15 Years**

(21) Appl. No.: **29/652,304**

(22) Filed: **Jul. 15, 2020**

Related U.S. Application Data

(62) Division of application No. 29/640,798, filed on Mar. 16, 2018, now Pat. No. Des. 894,007.

(51) **LOC (13) Cl.** **09-01**

(52) **U.S. Cl.**
USPC **D9/542**; D9/560; D9/563; D9/566;
D9/568; D9/574

(58) **Field of Classification Search**

USPC D9/516, 520, 549, 550, 553, 555, 556,
D9/557, 558, 560, 563, 566, 568, 574,
D9/715, 719, 541-542, 569; D7/615
CPC B65D 1/00; B65D 1/02; B65D 1/0223;
B65D 1/44; B65D 23/00; B65D 23/102;
B65D 2501/00; B65D 2501/0009; B65D
2501/0018; B65D 2501/0036; B65D
2501/0081

See application file for complete search history.

(56) **References Cited**

U.S. PATENT DOCUMENTS

D102,268 S 8/1936 Flannery
D178,131 S * 6/1956 Lorenzen D9/566
D264,435 S 5/1982 Pettengill
D282,050 S 1/1986 Beaver et al.

D356,264 S 3/1995 Praturlon et al.
D426,164 S * 6/2000 Gans D9/541
D426,469 S * 6/2000 Mankowski D9/541
D435,455 S * 12/2000 Gans D9/541
D448,675 S * 10/2001 Thierjung D9/541
D487,564 S 3/2004 Beck et al.
D518,725 S 4/2006 Eble
D531,904 S 11/2006 Sillett et al.
D531,909 S * 11/2006 Keller D9/538
D531,913 S * 11/2006 Heisner D9/560
D539,661 S 4/2007 Eble
D606,870 S 12/2009 Kaminski et al.

(Continued)

FOREIGN PATENT DOCUMENTS

CA 2552105 A1 1/2007
CA 136194 S 7/2011
CA 2774334 A1 10/2012

Primary Examiner — Dana Meyrow

(74) *Attorney, Agent, or Firm* — Armstrong Teasdale LLP

(57) **CLAIM**

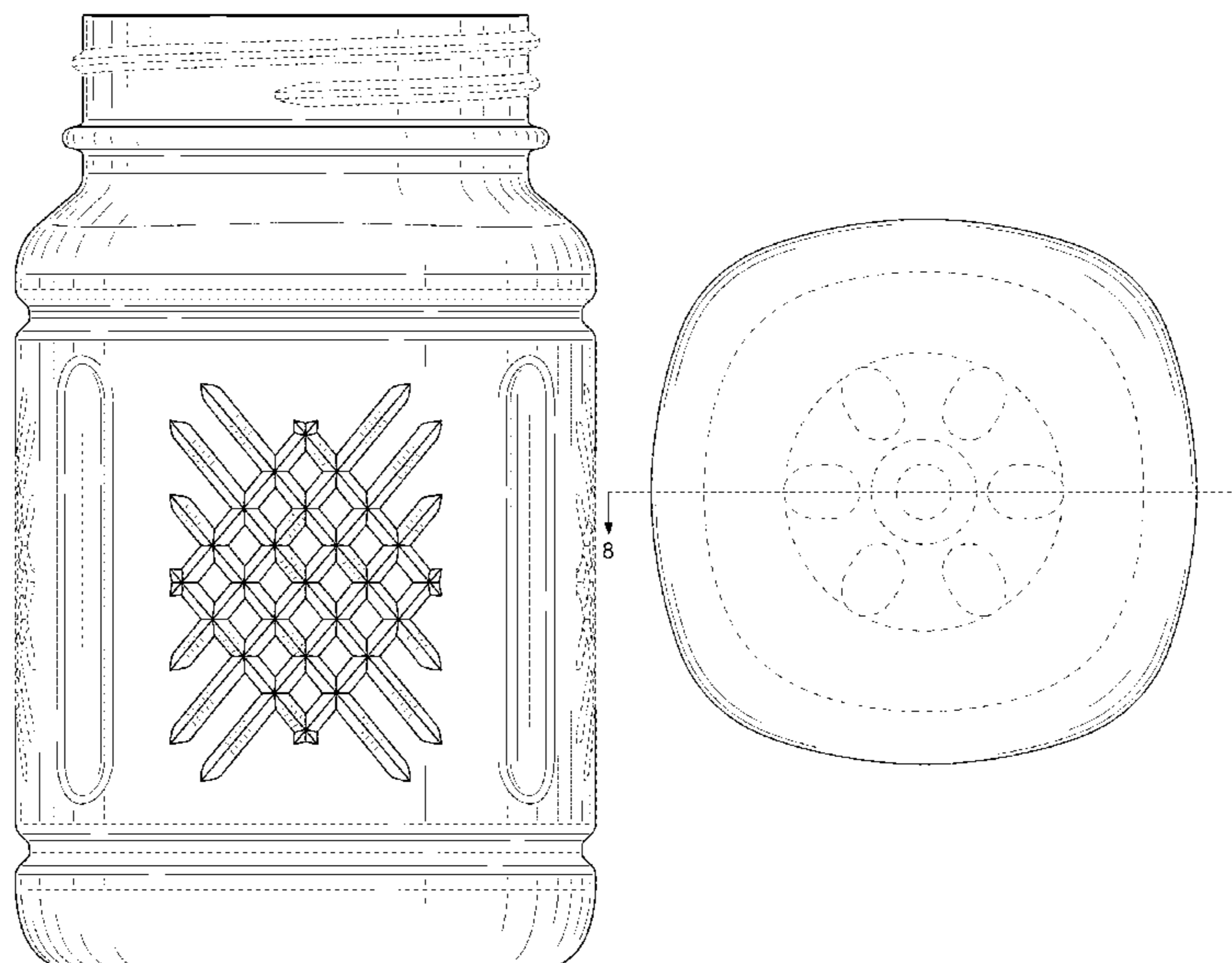
I claim the ornamental design for a container, as shown and described.

DESCRIPTION

FIG. 1 is a perspective view of a container showing the new design;
FIG. 2 is a left side view thereof;
FIG. 3 is a right side view thereof;
FIG. 4 is a front view thereof;
FIG. 5 is a rear view thereof;
FIG. 6 is a top view thereof;
FIG. 7 is a bottom view thereof; and,
FIG. 8 is a cross-sectional view thereof taken along line 8-8 of FIG. 7.

In these drawings, the solid lines illustrate the claimed ornamental design, whereas the broken lines illustrate portions of the container that form no part of the claimed design.

1 Claim, 8 Drawing Sheets



(56)

References Cited

U.S. PATENT DOCUMENTS

D607,743	S	1/2010	Eble	
D608,211	S	1/2010	Eble	
D612,257	S *	3/2010	Wurster	D9/560
D612,266	S	3/2010	Kaminski et al.	
D619,012	S	7/2010	Eble	
D639,172	S	6/2011	Dupuis et al.	
D639,173	S	6/2011	Dupuis et al.	
D663,624	S	7/2012	Eble	
D680,005	S	4/2013	Eble	
D682,114	S	5/2013	Kraus et al.	
D697,408	S	1/2014	Eble	
D701,769	S	4/2014	Eble	
D717,662	S	11/2014	Eble	
D721,278	S	1/2015	Eble	
D722,883	S	2/2015	Eble	
D722,884	S	2/2015	Eble	
D734,161	S	7/2015	Bolleaux	
D735,581	S	8/2015	Eble	
D739,757	S	9/2015	Newton et al.	
9,193,495	B2	11/2015	Eble	
D745,417	S *	12/2015	Zebert	D9/773
D760,591	S	7/2016	Favetto et al.	
D780,588	S *	3/2017	Miller	D9/560
D791,606	S	7/2017	Cobb	
D798,160	S *	9/2017	Miller	D9/560
D805,393	S	12/2017	Eble	
D885,927	S *	6/2020	Eble	D9/563
D894,007	S *	8/2020	Eble	D9/563
D924,065	S *	7/2021	Eble	D9/553
2011/0079574	A1 *	4/2011	Wurster	B65D 79/005 215/383

* cited by examiner

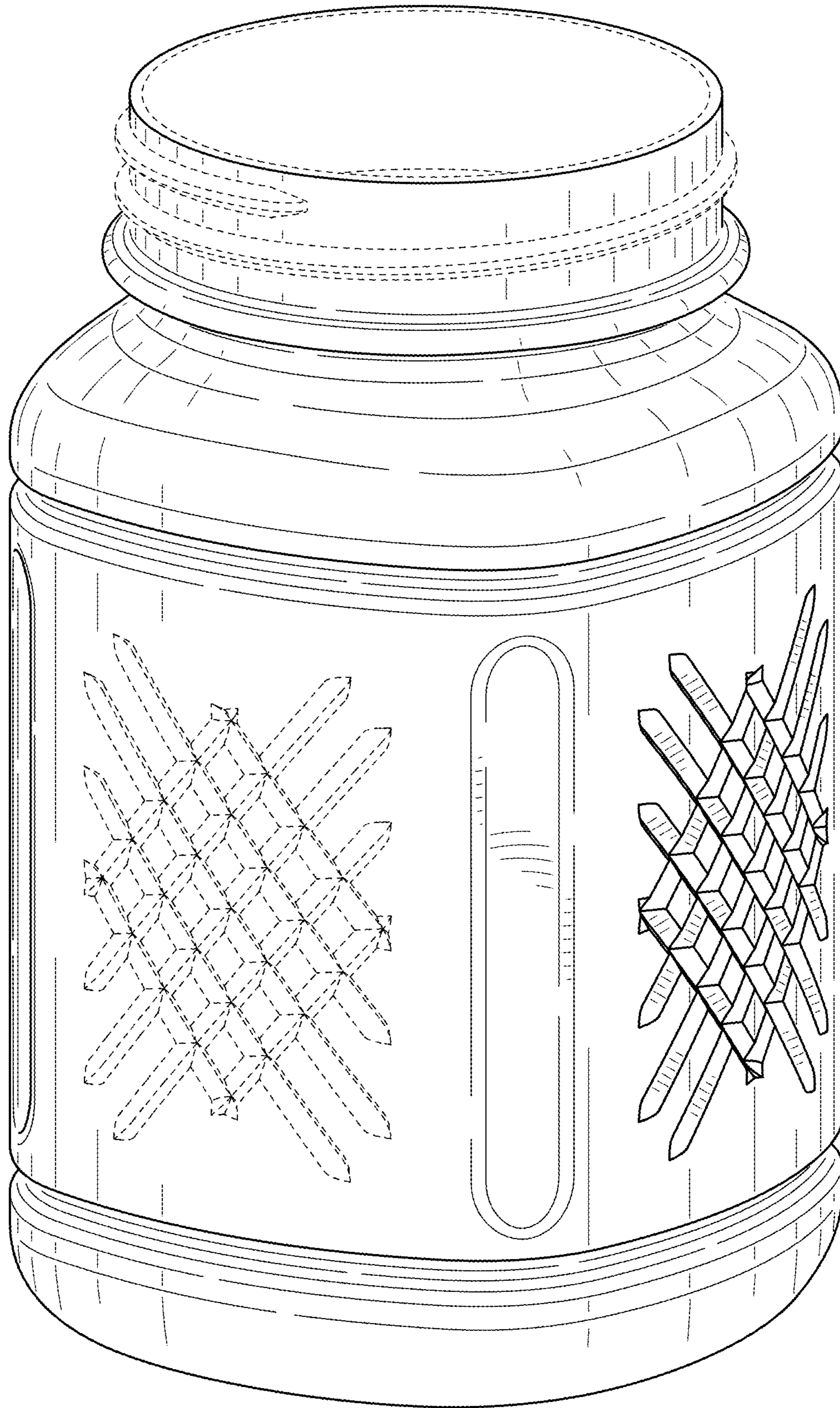


FIG. 1

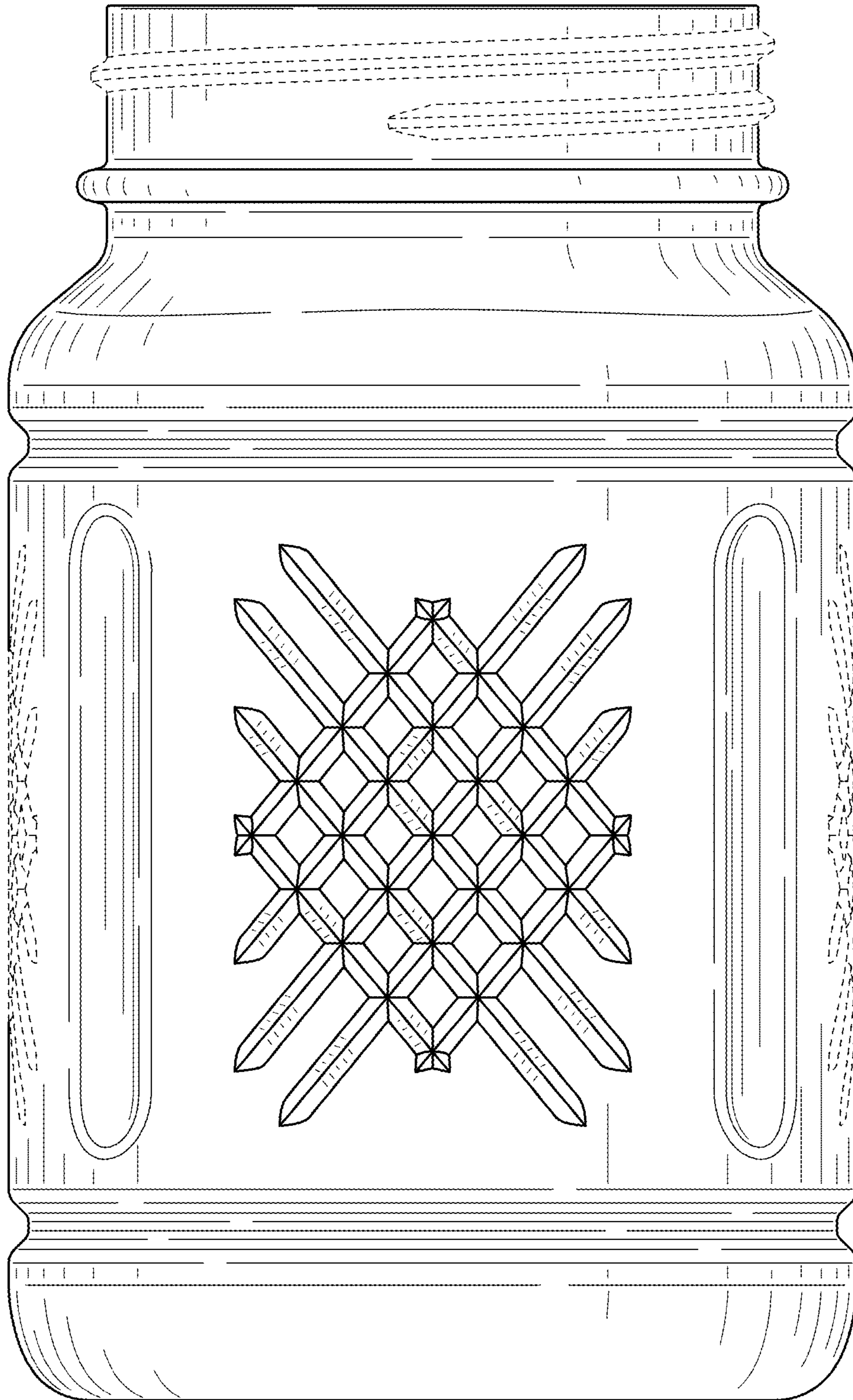


FIG. 2

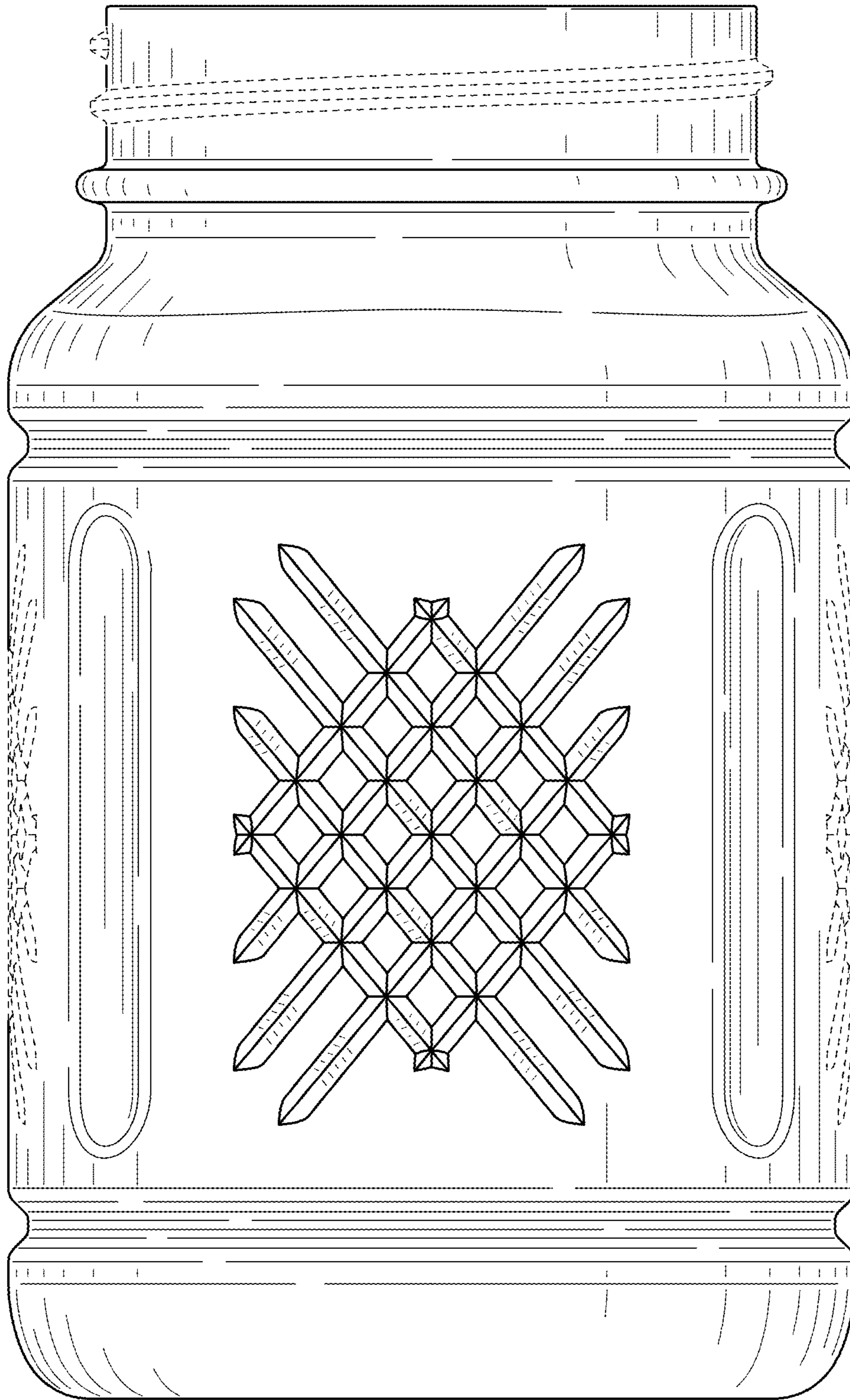


FIG. 3

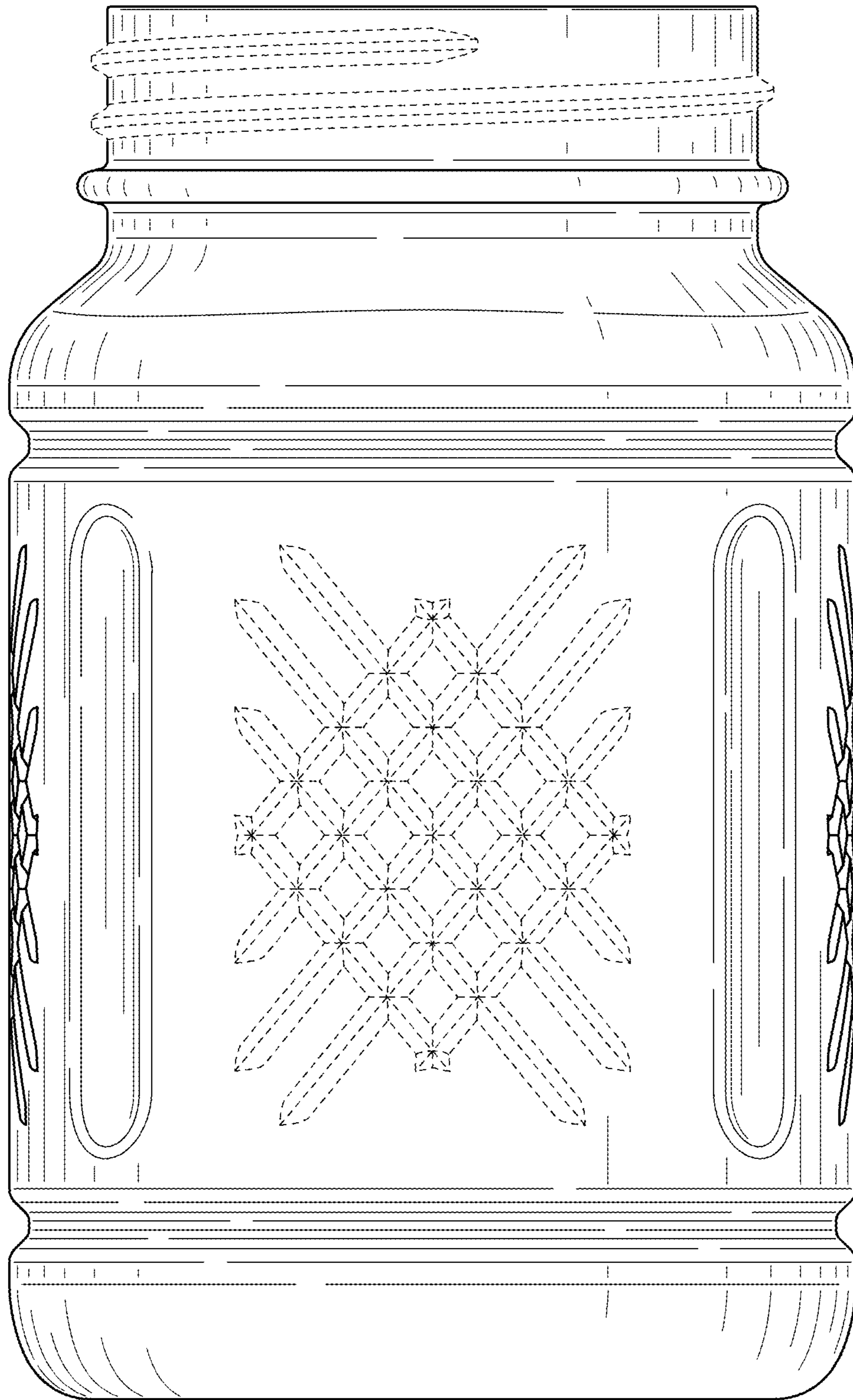


FIG. 4

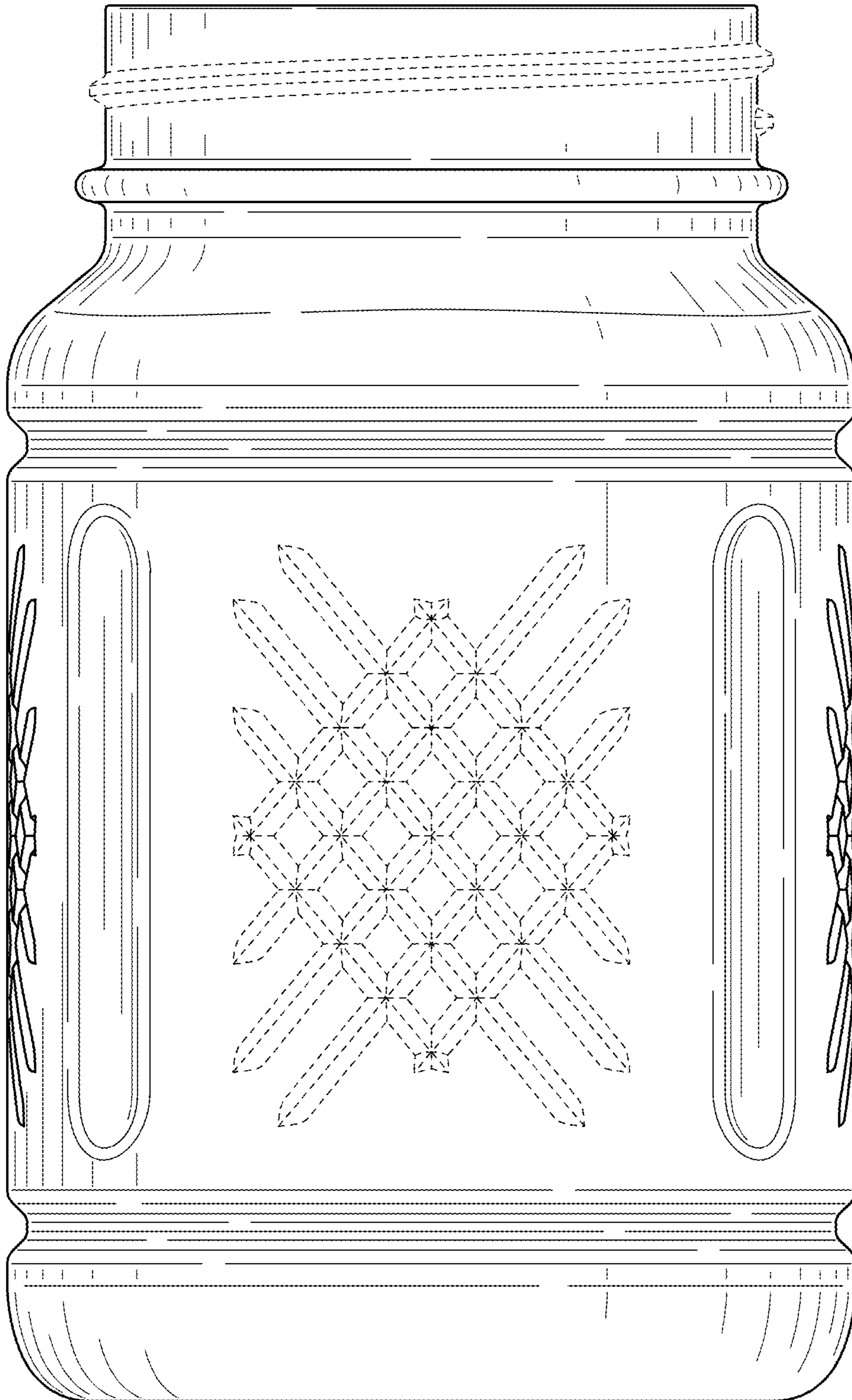


FIG. 5

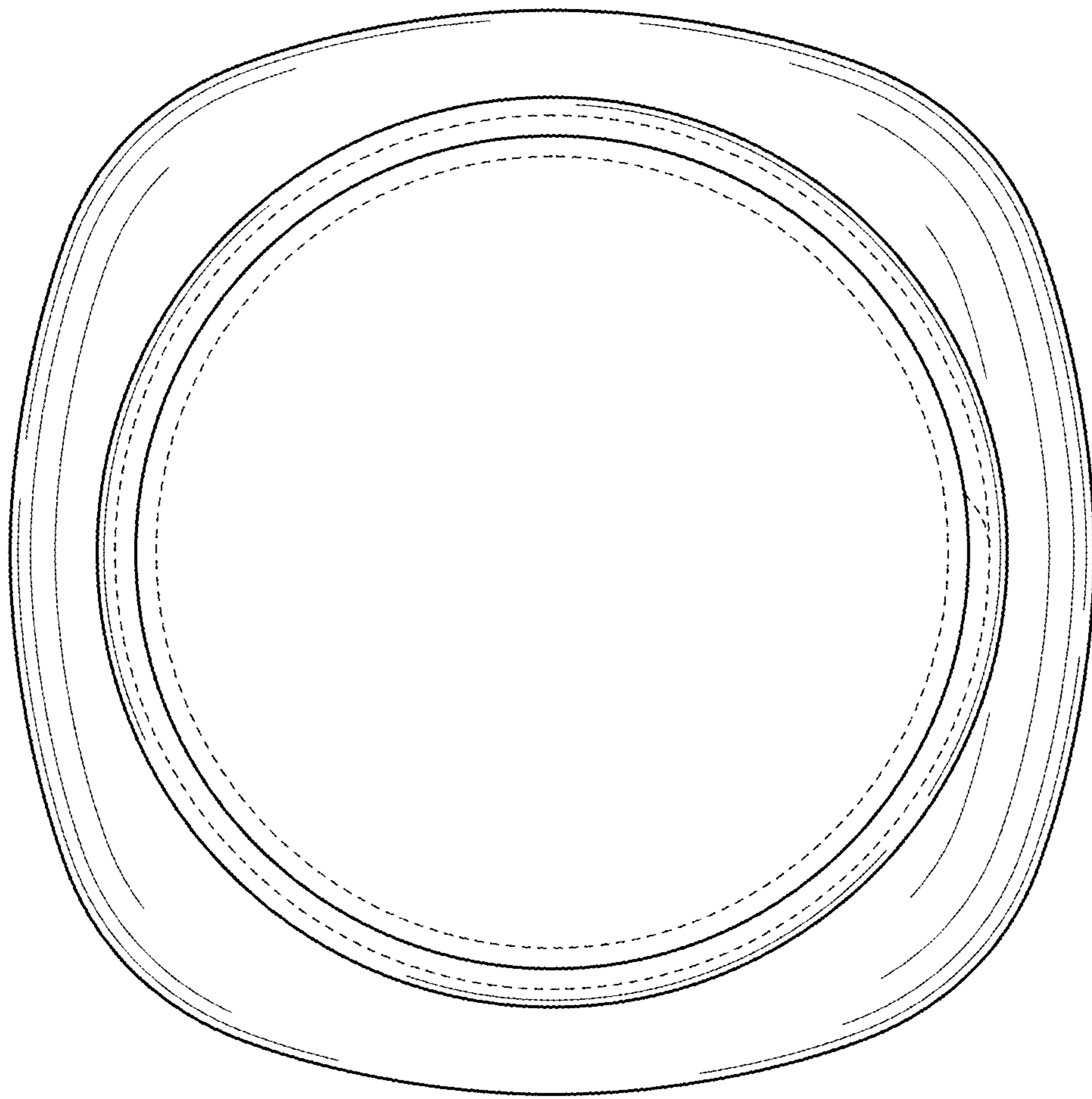


FIG. 6

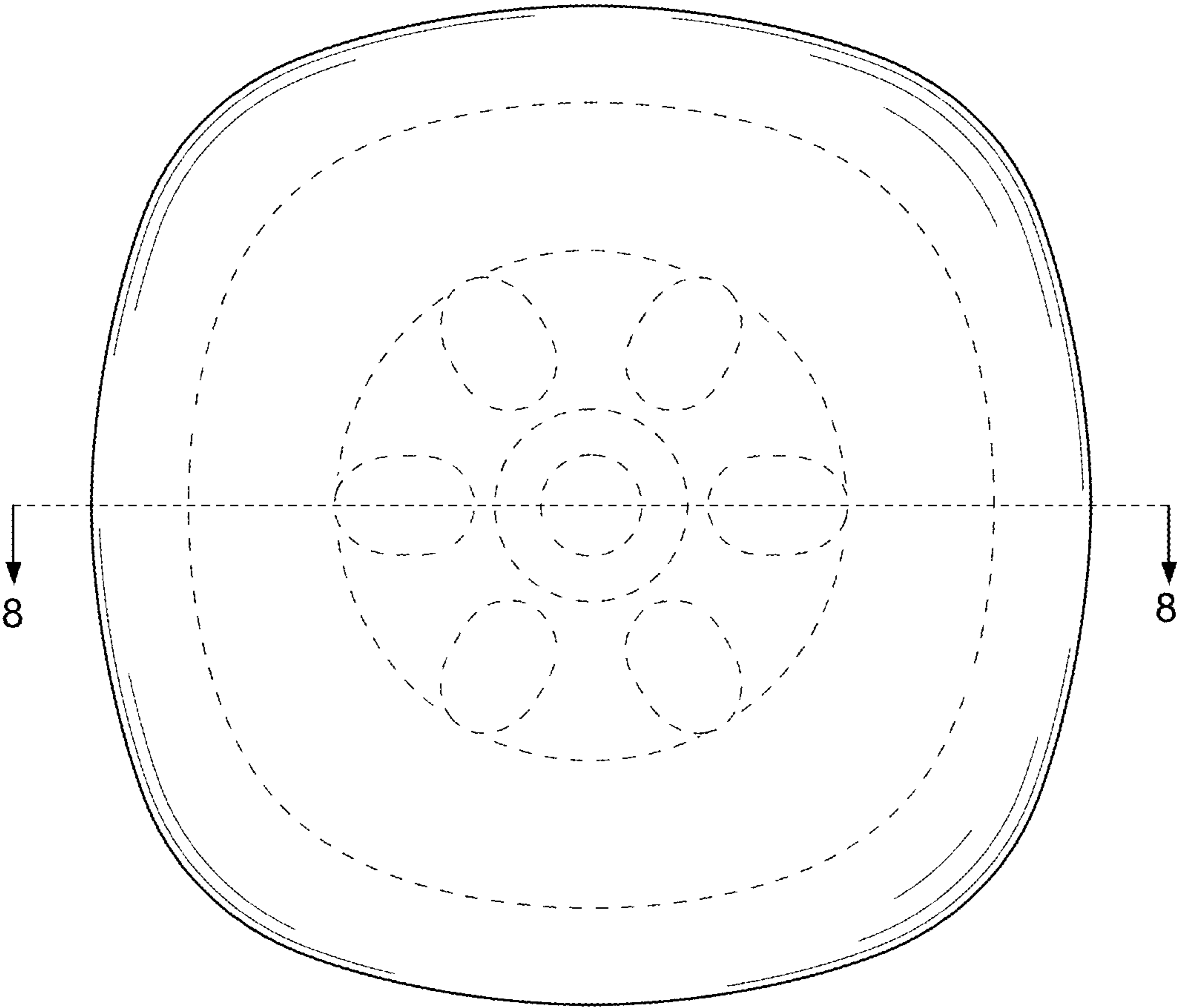


FIG. 7

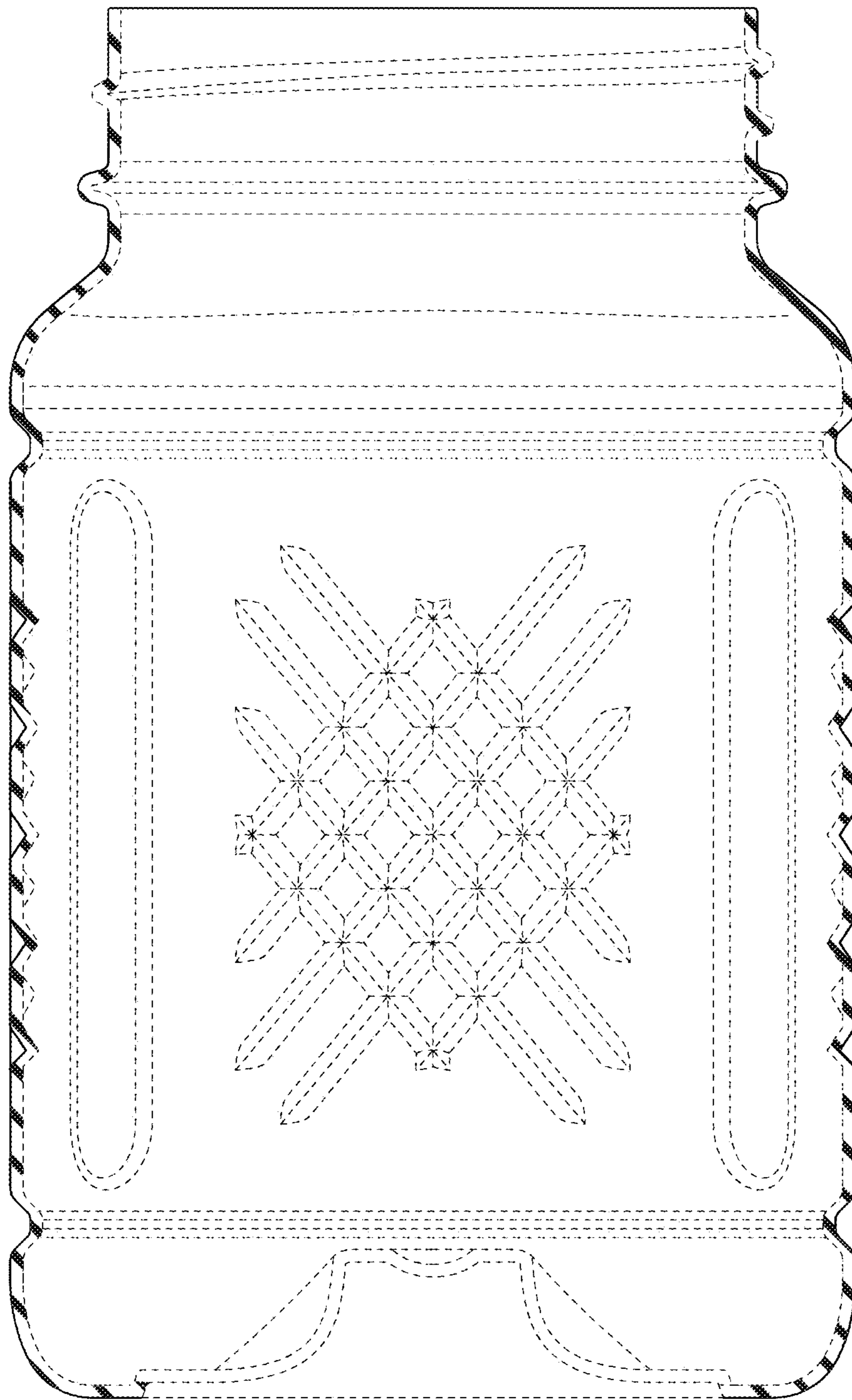


FIG. 8